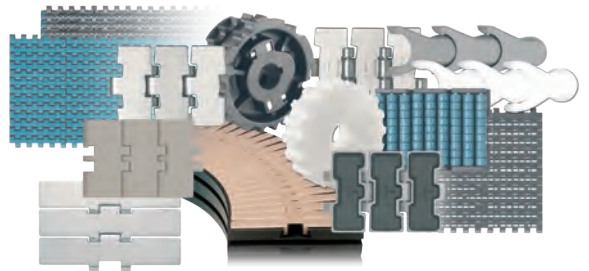


Conveyor Chains & Belts



September 2012



EMERSON
Industrial Automation

EMERSON. CONSIDER IT SOLVED.™

DESCRIPTION

<i>Section</i>	<i>Pages</i>
MATERIALS	4
PRODUCTION PROGRAM	9
CHAINS	15
BELTS	87
DUAL MAGNETIC CORNER TRACKS	196
SPROCKETS AND IDLER WHEELS	273
TURNING DISK	329
TECHNICAL INFORMATION	339
CHEMICAL RESISTANCE	342
CODE INDEX	345

USED SYMBOLS



INFO ABOUT
MATERIALS USED

SPROCKETS
& IDLERS



THIS PART IS USED
FOR CHAINS ON PAGE...

SPROCKETS & IDLERS
FOR SIZE...



CURVE
MATERIAL

SPROCKETS & IDLERS
FOR SIZE...



CORNER
TRACKS

TURNING
DISK



STRAIGHT
TRACKS

CHEMICAL
RESISTANCE



NOSE BAR

TECHNICAL
INFORMATION



Quality and Service

When you are looking for a quality conveyor component, look at System Plast.

**Your expectation,
our standard.**

Customers expect the best from System-Plast; we are committed to delivering nothing less. In every phase of our operation, from engineering, to production, to sales and assistance, System-Plast is committed to complying with the stringent standards of ISO 9001.



We put our Leadership on the line for you.

Our complete range of products combines stainless steel, carbon steel, aluminium and engineered plastics to achieve reliability, superior performance and a compact design.

As one of the world's leading suppliers of conveyor components, System Plast has a tradition of innovation that dates back to 1985 when we entered into this field. System Plast Components have become the standard of design and performance to a wide range of industries, including conveyor manufacturing, material handling, power transmission, packaging and many more. In addition to manufacturing excellence, System Plast has earned a reputation for outstanding customer service, offering a full range of design, custom fabrication and support services.

We hope you will now take a moment to look through this comprehensive catalogue.

Then, when you are ready to discuss your needs with the nearest System Plast representative, please consult the back cover of this catalog for further details about our sales network.

We are able and eager to assist you setting up a smooth running line.

The components you want, when and how you want them.

System Plast is ready and able to satisfy your needs with quick answers and delivery of standard or custom made products. Our customers around the world know that the shortest distance between a problem and its solution is to call us: innovations, research, engineering and production are always under a strict control to improve our service and products.

Call our engineering experts.



To order the products you have selected, or to get expert advice in choosing the right ones for your application, call System Plast's Application Engineering Department at (035) 83.51.301. We'll be happy to provide the information and advice you need. And we'll work to ensure prompt processing and delivery of your order.



Via Guareschi, 2



Via San Giuseppe, 54

Application driven

Focus on application and improvements have been the driving force behind Research and Development at System Plast, the a leading global supplier of Conveyor Components.

The most important issues in the beverage and packaging industry are EFFICIENCY, NOISE REDUCTION, HYGIENE, TOTAL COST OF OWNERSHIP and LUBRICATION REDUCTION. The engineering team of System Plast has taken the issues as a challenge and developed a range of products around them, thus gaining the leading edge on the market by supporting the users in their corporate programs such as, Total Productive Maintenance. System Plast is a solid partner for the beverage, food and packaging industry. Not only these state-of-the-art developments are important, but just as well that it has the largest available program of conveyor components, chains and belts.

The network of System Plast companies in Italy, Germany, France, UK, Netherlands, USA, Mexico, Brazil and China together with the worldwide network of exclusive distributors, services the clients - OEM's as well as end users, including the leading companies in the industry. The people in the field are trained with know-why and know-how and are strongly supported by the engineering team.

Largest range

System Plast delivers the largest range of chains, modular belts, components, bearings, feet.

Conveyor Line: massive, versatile range of conveyor parts like supports, clamps, brackets, guides in plastic and stainless steel; easy combinations for many applications.

Bearing Line: flange bearings in many types and shapes. Completely closed types available for wet environments. Long life versions for ease of maintenance.

Presso Line: the largest range of support feet available. The right choice for any application; from food processing to electrical cabinets.

Modular Plastic Belts: robust design for easy installation and maintenance. Not only the standard range, but special types for difficult products as well. Special materials for dry running, long life and low noise.

SlatBand Chains: chain is the main factor for efficiency of conveyors. System Plast has a wide range of high quality chains in plastic and stainless steel. Special materials for exceptional applications.

Steel chain materials

C45

Carbon Steel

This carbon steel material allows a higher yield load capability than stainless steel but is not corrosion resistant, so only suitable for dry environments.

The through hardened plate material provides for a uniform hardness.

Features: • Surface hardness: 44 HRC **Benefits:** • High mechanical strength
• High abrasion resistance

STANDARD

Standard Stainless steel

AISI 430 Stainless steel material with good mechanical characteristics and corrosion resistance. An economical option for many conveying applications. Lower load and lower wear resistance capability than our higher grade stainless steel materials.

Features: • Standard stainless steel **Benefits:** • Economic solution

EXTRA PLUS

Extra Plus Stainless Steel

High performance stainless steel, specially developed for high speed and heavy duty application. Offers excellent corrosion resistance and highest surface hardness.

Features: • Surface hardness of HRC 26-30
• Extremely flat and best surface finish
• High corrosion and wear resistance
• Highest ultimate yield loading capability

Benefits: • Typically used in glide liners and pressureless combiners and very long conveyors.
• For improved product stability

AUSTENITIC

Austenitic Stainless steel

AISI 304 Austenitic stainless steel which offers high corrosion and acid resistance properties.

Features: • Stainless steel with 18% chrome and 8% nickel
Benefits: • High corrosion and acid resistance material

Pin materials for steel & plastic chains

SPM

Standard PIN Material

Special Austenitic stainless steel with higher tensile strength and improved surface hardness. These pins are offered as standard in most stainless steel and plastic chains.

Features: • High wear, corrosion and acid resistance
Benefits: • Longer wear life

HB

Special PIN Material

Vacuum hardened stainless steel with exceptionally high wear resistance characteristics, good corrosion and chemical resistance, for high speed and or abrasive applications.

Benefits: • Ultimate abrasion resistance
• Outstanding wear life

PPM

Plastic PIN Material

Special reinforced acetal resin.

Benefits: • Suitable for metal detectors
• Easy disposal of chains after use

Plastic chain materials

Several of our standard materials comply with food regulations 1282/2011 EC and FDA 21CFR 170.39.
Feel free to contact our Customer Service for a declaration.

D

Acetal Resin

It is an acetal based material which is used as an economical alternative to our LF acetal material. Acetal is an ideal material for conveyor chains as it offers high tensile + fatigue strengths, good co-efficient of friction and excellent wear resistance properties.

Colour: Grey (D) or White (W)

W**LF**

Low Friction Acetal Resin

This material is commonly used in the market and offers an improved co-efficient of friction. It is also suitable for use in high speed applications.

Colour: Light Brown (LF), Dark Grey (LFG) or White (LFW)

LFG**LFW****NG**

New Generation

Extra performance PBT with lowest coefficient of friction in our range, resulting in good strength and optimum wear resistance, reduced plate wear and reduced pitch elongation. Suitable for high speed and dry running applications. Available exclusively from System Plast.

Colour: Green (NG) - Light Grey (NGG) - Dark Grey (NGD)

NGG**NGD**

Special plastic chain materials

On request and for adequate quantities chains may be produced in other materials such as:

XPG

Extra Performance

Extra performance Acetal with additives for an even lower co-efficient of friction than LF materials. Suitable for high speed applications and reduced lubrication.

Colour: Dark Brown (XPG)

AS

Anti-static acetal resin

Anti-static material with improved surface conductivity for greater protection against static electrical discharges. **Colour:** Black (AS)

HT

High temperature resistance

High temperature material for applications up to 140°C. **Colour:** Natural color.

CR

Chemical resistance

Reinforced polypropylene material for greater acid and chemical resistance. Polypropylene has lower mechanical strength than acetal.

Colour: White (CR, for chains)

AR

Abrasion resistance

Special wear resistant polyamide resin with improved abrasion resistance characteristics for conveying abrasive products like glass, cast iron.

Colour: Black (AR)

DK

Acetal resin with Delrin® Kevlar®

This material offers reduced friction and improved wear resistance compared to standard acetal. **Colour:** Dark grey (DK)

Delrin® and Kevlar® are registered trade marks of DuPont™

Plastic belt materials

Several of our standard materials comply with food regulations 1282/2011 EC and FDA 21CFR 170.39. Feel free to contact our Customer Service for a declaration.

LFG

Low Friction Acetal Resin

This material is commonly used in the market and offers an improved co-efficient of friction.

LFB

It is also suitable for use in high speed applications.

LFW

Colour: Dark grey (LFG), Blue (LFB) or White (LFW).

New Generation

Extra performance PBT with lowest coefficient of friction in our range, resulting in good strength and optimum wear resistance, reduced plate wear and reduced pitch elongation. Suitable for high speed and dry running applications. Available exclusively from System Plast.

NGG

Colour: Light Grey (NGG)

Special plastic belt materials

On request and for adequate quantities belts may be produced in other materials such as:

AS/POM-AS

Anti-static acetal resin

Anti-static material with improved surface conductivity for greater protection against static electrical discharges. **Colour:** Black (AS)

XPG

Extra Performance

Extra performance additivated Acetal with a lower co-efficient of friction than LF materials. Suitable for high speed applications and reduced lubrication. **Colour:** Dark Brown (XPG)

PP

Chemical resistance

Polypropylene material for greater and chemical and temperature resistance.

PPW

Polypropylene has lower mechanical strength than acetal. For belts (PP) the pins and clips are also made of Polypropylene. **Colour:** Beige (PP), White (PPW), Dark Grey (PPG),

PPG

Light Grey (PPLG).

PPLG

DK

Acetal resin with Delrin® Kevlar®

This material offers reduced friction and improved wear resistance compared to standard acetal. **Colour:** Dark Grey (DK)

Delrin® and Kevlar® are registered trade marks of DuPont™

HT

High temperature resistance

High temperature material for applications up to 140°C.

POM-EC

Electrically conductive acetal resin

Due to the very low surface resistivity, this material can be considered electrically conductive. **Colour:** Black.

PP-FR-EC

Flame Retardant, Electrically Conductive Polypropylene

Flammability according to UL94 is classified as V0. Due to the very low surface resistivity, this material can be considered electrically conductive. **Colour:** Black

Special colours

On request and for adequate quantities chains and belts may be produced in other colours.

Pin materials for belts

PBT**PBT**

Most commonly used pin material in System Plast belts. It is used in all belts made of LFG, XPG, AS and DK acetal material. The combination of these materials offers a low noise operation.

POM**POM**

Polyacetal pins are used in all belts made of NGG material. This pin material gives optimum strength.

PP**PP**

Polypropylene pins are used in all belts made of PP material. The pin material is adapted to the high temperature and high chemical resistance of the belt material.

Rubber materials

TPR**TPR**

TPR is used for VG chains and belts and for some gripper chains. TPR is a SEBS type rubber, which provides an optimum bonding on the plastic base material.

NBR**NBR**

NBR rubber is used for our gripper chains. It offers a soft grip and a good resistance against oils.

EPDM**EPDM**

EPDM rubber is used for our gripper chains. It offers good weather and chemical resistance, although contact with oils, gasoline and concentrated acids must be avoided.

EPDM-PP**EPDM-PP**

EPDM-PP rubber is used for our gripper chains. It offers improved chemical resistance and can be used at higher temperatures. Resistance against steam is good.

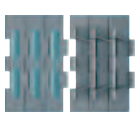
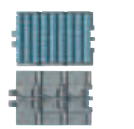

STEEL CHAINS

STRAIGHT		SIDEFLEXING			
Flat top	Rubber top	Flat top	Plate top (base rollers chain)	Rubber top	Gripper
<p>Page 16</p>  <p>812 - 815</p>	<p>Page 26</p>  <p>815 VG</p>	<p>Page 20</p>  <p>881</p>	<p>Page 24</p>  <p>1874</p>	<p>Page 29</p>  <p>881 VG</p>	<p>Page 66</p>  <p>1874 GV</p>
<p>Page 17</p>  <p>SPEED LINE 812L - 815L</p>	<p>Page 26</p>  <p>815 VG MINI</p>	<p>Page 20</p>  <p>8810</p>		<p>Page 29</p>  <p>881 TAB VG</p>	
<p>Page 18</p>  <p>800 - 802 - 805</p>	<p>Page 27</p>  <p>815 TAB VG</p>	<p>Page 21</p>  <p>881 TAB</p>		<p>Page 30</p>  <p>8857 M VG</p>	
<p>Page 18</p>  <p>8157</p>	<p>Page 27</p>  <p>805 VG</p>	<p>Page 21</p>  <p>8810 TAB</p>		<p>Page 30</p>  <p>881 MO VG</p>	
<p>Page 19</p>  <p>515</p>	<p>Page 28</p>  <p>8157 VG</p>	<p>Page 22</p>  <p>881 M - 881 MO</p>			
	<p>Page 28</p>  <p>8157 TAB VG</p>	<p>Page 23</p>  <p>SPEED LINE L 881 MO</p>			
		<p>Page 23</p>  <p>8857 M</p>			
		<p>Page 24</p>  <p>8857 TAB</p>			

PLASTIC CHAINS





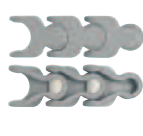
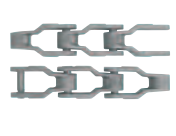




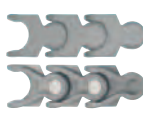







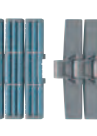









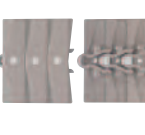





STRAIGHT

SIDEFLEXING

Flat top		Plate top (base roller chain)		Rubber top		LBP		Flat top		Plate top (base roller chain)	
Page 32	 820 - 820 J	Page 68	 843	Page 54	 821 VG	Page 46	 LBP 821	Page 36	 879 - 880	Page 71	 1843
Page 33	 828	Page 69	 845	Page 54	 831 VG	Page 47	 LBP 8257	Page 37	 879 J - 880 J	Page 71	 1863
Page 33	 831	Page 70	 863	Page 55	 8257 VG	Page 48	 LBP 831	Page 38	 879 TAB - 880 TAB	Page 72	 1873
Page 34	 SK 38							Page 39	 879 M - 880 M	Page 73	 1883
Page 34	 821							Page 40	 878 TAB		
Page 35	 8257							Page 41	 882 BEVEL		
								Page 42	 882 TAB		
								Page 43	 882 M		

PLASTIC CHAINS

SIDEFLEXING

Rubber top	LBP	Gripper	Multiflex	Multiflex	Crate conveyor
<p>Page 56</p>  <p>878 TAB VG</p>	<p>Page 49</p>  <p>LBP 878 TAB</p>	<p>Page 62 - 63</p>  <p>878 TAB GS</p>	<p>Page 76</p>  <p>1700-1702</p>	<p>Page 81</p>  <p>7000 - 7000 TAB</p>	<p>Page 83</p>  <p>CC 600 - CC 600 TAB</p>
<p>Page 56</p>  <p>879 TAB VG</p>	<p>Page 49</p>  <p>LBP 879 M</p>	<p>Page 64 - 65</p>  <p>1873 GS</p>	<p>Page 76</p>  <p>HMGK 50 FN HMGK 50</p>	<p>Page 81</p>  <p>7001 - 7001 TAB</p>	<p>Page 83</p>  <p>CC 600 P</p>
<p>Page 57</p>  <p>879 M VG</p>	<p>Page 50 - 51</p>  <p>LBP 882 TAB</p>		<p>Page 77</p>  <p>HMGK 50 MS</p>	<p>Page 82</p>  <p>7005 - 7005 TAB</p>	<p>Page 83</p>  <p>CC 600 TAB P</p>
<p>Page 57</p>  <p>882 TAB VG</p>	<p>Page 52</p>  <p>LBP 882 M</p>		<p>Page 77</p>  <p>HMGK 50 P</p>	<p>Page 79</p>  <p>1706 NEW</p>	<p>Page 84</p>  <p>CC 600 F CC 631 TAB</p>
<p>Page 58</p>  <p>882 M VG</p>			<p>Page 77</p>  <p>1701 TAB 1701 TAB OP</p>		<p>Page 84</p>  <p>CC 1400 V</p>
<p>Page 59</p>  <p>1873 VG</p>			<p>Page 78</p>  <p>1701 TAB OP M 1702 M</p>		<p>Page 84</p>  <p>CC 1400 V TAB</p>
			<p>Page 79</p>  <p>HMGK 50 TAB P</p>		<p>Page 85</p>  <p>CC 1400</p>
			<p>Page 80</p>  <p>HMGK 50 H</p>		<p>Page 85</p>  <p>CC 1400 TAB</p>
			<p>Page 80</p>  <p>HMGK 50 TAB H</p>		<p>Page 85</p>  <p>CC 1431 TAB</p>

CHAINS & BELTS PRODUCTION PROGRAM

STRAIGHT RUNNING BELTS - 8.7 mm thick

1/2 INCH PITCH

3/4 INCH PITCH

Metric widths

Imperial w.

Imperial w.

Flat top

Flush grid

Grip belt

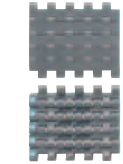
LBP belt

with
Guide bar

Flat top

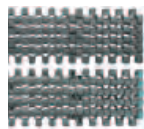
Flat top

Page 90



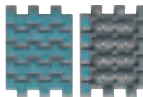
One track belts
series 2120

Page 92 - 96



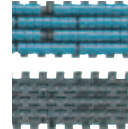
Modular belts
series 2120

Page 89



One track belts
series 2120

Page 106 - 108



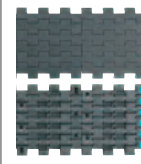
Modular belts
series 2120

Page 109



Belts with
guide bar
series 2120

Page 110



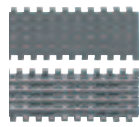
Imperial widths
series 2121

Page 114



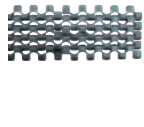
One track belts
series 2190

Page 92 - 96



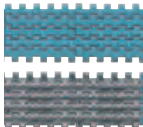
Modular belts
series 2120

Page 97



Modular belts
series 2122

Page 100 - 102



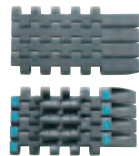
Modular belts
series 2120

Page 115



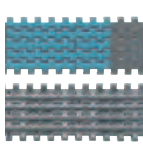
Modular belts
series 2190

Page 91 + 98 - 99



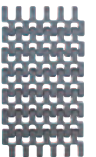
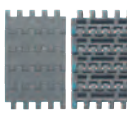
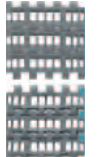
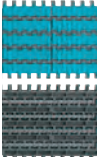





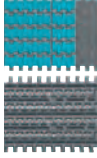


Belts with
transfer wing
series 2120

Page 103 - 105

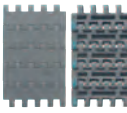
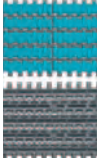

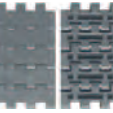







Side indent
series 2120



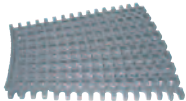


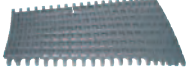


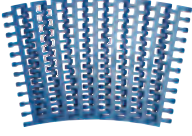


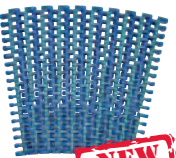
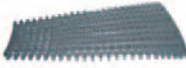


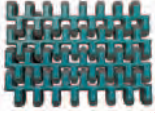

STRAIGHT RUNNING BELTS - 8.7 mm thick

3/4 INCH PITCH		1 INCH PITCH					
Imperial w.	Metric widths				Imperial widths		
Flush grid	Flat top	Flush grid	Grip belt	LBP belt	Flat top	Perforated top	Roller top
<p>Page 116</p>  <p>One track belts series 2190</p>	<p>Page 120</p>  <p>One track belts series 2250</p>	<p>Page 129</p>  <p>One track belts series 2250</p>	<p>Page 138 - 140</p>  <p>Modular belts series 2250</p>		<p>Page 148</p>  <p>Modular belts series 2253</p>		<p>Page 146-147</p>  <p>NEW</p> <p>Modular belts series 2253RT</p>
<p>Page 117</p>  <p>Modular belts series 2190</p>	<p>Page 122 - 126</p>  <p>Modular belts series 2250</p>	<p>Page 131 - 135</p>  <p>Modular belts series 2250</p>	<p>Page 141 - 143</p>  <p>Belts with side indent series 2250</p>				
	<p>Page 121 + 127 - 128</p>  <p>Belts with transfer wing series 2250</p>	<p>Page 130</p>  <p>Belts with transfer wing series 2250</p>					

HEAVY DUTY 12.7 mm thick - 1 inch pitch

	<p>Page 150</p>  <p>One track belts series 2251</p>		<p>Page 163 - 165</p>  <p>Modular belts series 2251</p>	<p>Page 169 - 171</p>  <p>Modular belts series 2251</p>	<p>Page 160</p>  <p>One track belts series 2252</p>	<p>Page 162</p>  <p>Modular belts series 2252</p>	
	<p>Page 152 - 156</p>  <p>Modular belts series 2251</p>		<p>Page 166 - 168</p>  <p>Belts with side indent series 2251</p>		<p>Page 161</p>  <p>Modular belts series 2252</p>		
	<p>Page 151</p>  <p>Belts with transfer wing series 2251</p>						

CHAINS & BELTS PRODUCTION PROGRAM

STRAIGHT BELTS		SIDEFLEXING BELTS		SIDEFLEXING CHAINBELTS	
2 INCH PITCH		½ INCH PITCH	1 ¼ INCH PITCH	1 INCH PITCH	
Imperial width		Metric width	Metric width	Metric width	Metric width
<p>Page 174 - 175</p>  <p>RR2500</p>		<p>Page 183</p> <p>Flat top</p>  <p>Magnetic system 2120 M</p>	<p>Page 190 + 195</p> <p>Flush grid</p>  <p>Modular belts series Standard 2351</p>	<p>Page 180</p> <p>Flat top</p>  <p>series 2250 M FT 8.7 mm thick</p>	<p>Page 180</p> <p>Flush grid</p>  <p>series 2250 M FG</p>
<p>2 INCH PITCH</p> <p>Metric width</p>		<p>1 INCH PITCH</p> <p>Imperial w.</p> <p>Flush grid</p>	<p>Page 191 + 195</p>  <p>Modular belts series Heavy Duty Standard 2451</p>	<p>Page 181</p>  <p>series 2260 M FT 8.7 mm thick</p>	
<p>Page 176</p>  <p>NEW</p> <p>2508 Heavy duty</p>		<p>Page 186 - 187</p>  <p>Modular belts series Standard 2256</p>	<p>Page 192 + 195</p>  <p>Modular belts series Small Radius 2551</p>	<p>Page 181</p>  <p>series 2250 TAB FT 8.7 mm thick</p>	
<p>2 ½ INCH PITCH</p> <p>Metric width</p>		<p>Page 188 - 189</p>  <p>NEW</p> <p>Modular belts series 2256VG</p>	<p>Page 193 + 195</p>  <p>Modular belts series Heavy Duty Small Radius 2651</p>	<p>Page 182</p>  <p>series 2251 M FT 12.7 mm thick</p>	
<p>Page 177</p>  <p>NEW</p> <p>2630 Extra Heavy duty</p>			<p>Page 194 + 195</p>  <p>NEW</p> <p>Modular belts series 2351VG</p>	<p>Page 182</p>  <p>series 2251 TAB FT 12.7 mm thick</p>	

STRAIGHT RUNNING STEEL CHAINS

Series

Pages

812/815 - 812L/815L

800/802/805 - 8157 - 515

16 → 19

SIDEFLEXING STEEL CHAINS

Series

Pages

881 - 881O - 881 TAB - 881O TAB

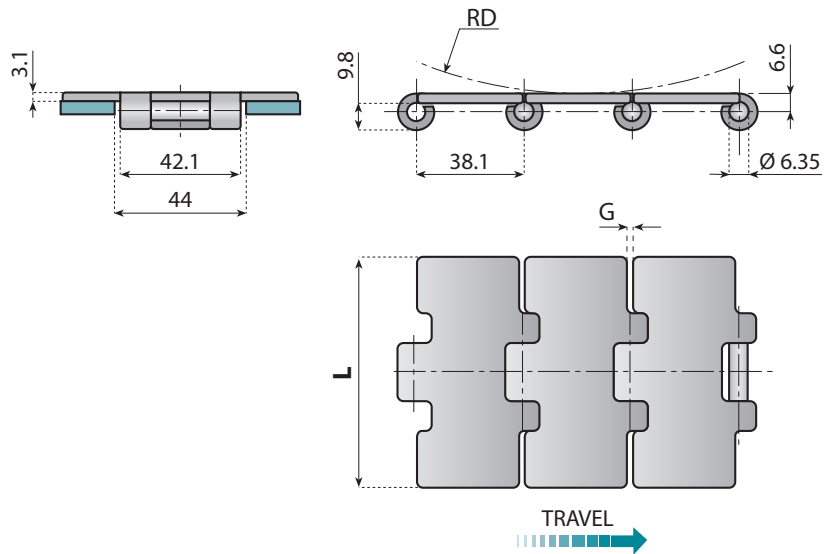
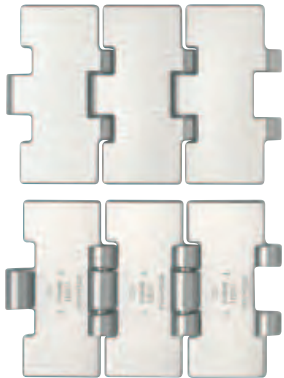
881M - 881 MO - L881 MO - 8857M

8857 TAB - 1874

20 → 24

ALL OUR STEEL CHAINS OFFER:

- **HIGH WORKING LOAD**
- **HIGH WEAR RESISTANCE**
- **EXCELLENT SURFACE FINISH**
- **OPTIMUM PERFORMANCE**
- **CONSISTENT HIGH QUALITY**



Advantages:

- Complete program to cover all applications
- All materials
- All sizes



Pages 4⇒7



Pages 274⇒278

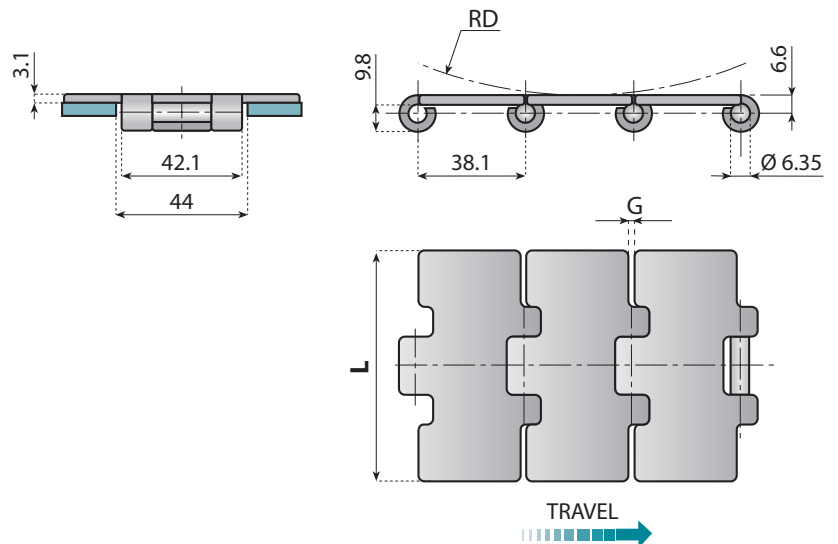


Pages 340⇒343

Chain - Ref.	Code	Material	Max. working load	Finish µm	Flatness (max) mm	Polished hinges	Width L		G mm	RD mm	Weight Kg/m		
							mm	inch					
S 815 K300	10301	C 45	12.000	-	-	no	76.2	3	1.8	150	2.5		
S 815 K325	10302						82.5	3 ¼			2.6		
S 815 K350	10303						88.9	3 ½			2.7		
S 815 K400	10304						101.6	4			3.0		
S 815 K450	10305						114.3	4 ½			3.3		
S 815 K600	10306						152.4	6			4.2		
S 815 K750	10307						190.5	7 ½			5.1		
SS 812 K325	10001	STANDARD	5.400	0.6	0.15	no	82.5	3 ¼	1.8	150	2.6		
SSR 812 K325	10007						82.5	3 ¼	2.8	75	2.5		
SS 812 K330	10034						83.8	3 ⅞	2.6				
SS 812 K350	10002				88.9		3 ½	0.2	1.8	150	2.7		
SS 812 K400	10003				101.6		4				3.0		
SS 812 K450	10004				114.3		4 ½				3.3		
SS 812 K600	10005				152.4		6				4.2		
SS 812 K750	10006	190.5	7 ½	5.1									
SSE 815 K300	10033	EXTRA PLUS	6.000	0.3	0.15	no	76.2	3			1.8	150	2.5
SSE 815 K325	10009						82.5	3 ¼					2.6
SSE 815 K330	10032						83.8	3 ⅞	2.6				
SSE 815 K350	10010				88.9		3 ½	0.2	1.8	150			2.7
SSE 815 K400	10011				101.6		4						3.0
SSE 815 K450	10012				114.3		4 ½						3.3
SSE 815 K600	10013				152.4		6						4.2
SSE 815 K750	10014	190.5	7 ½	5.1									
SSE 815 K325 HB	10036	EXTRA PLUS HB	6.000	0.3	0.15	no	82.5	3 ¼			1.8	150	2.5
SSE 815 K330 HB	10037						83.8	3 ⅞					2.6
SSA 815 K325	10016	AUSTENITIC	5.300	0.3	0.15	no	82.5	3 ¼	1.8	150	2.6		
SSA 815 K330	10035						83.8	3 ⅞			2.6		
SSA 815 K350	10017						88.9	3 ½			2.7		
SSA 815 K400	10018				101.6		4	0.2			1.8	150	3.0
SSA 815 K450	10019				114.3		4 ½						3.3
SSA 815 K600	10020				152.4		6						4.2
SSA 815 K750	10021				190.5		7 ½						5.1

Standard length: 80 pitches (10 ft. - 3.048 m)

Breaking Load according to Standard ISO 4348 - DIN 8153



Advantages:

- The best choice for the most demanding applications, like pressureless combiners and high speed applications
- Improved flatness
- Optimum product stability

812L - 815L STRAIGHT RUNNING CHAINS SINGLE HINGE



Pages 4⇒7



Pages 274⇒278



Pages 340⇒343

Chain - Ref.	Code	Material	Max. working load	Finish μm	Flatness (max) mm	Polished hinges	Width L		G mm	RD mm	Weight Kg/m
							mm	inch			
SSL 812 K325	10001L	STANDARD	5.400	0.6	0.1	no	82.5	3 ¼	1.5	150	2.55
SSEL 815 K325	10009L	EXTRA PLUS	6.000	0.3							
SSEL 815 K325 HB	10036L	EXTRA PLUS HB									

815L SPEED - LINE STRAIGHT RUNNING CHAINS SINGLE HINGE

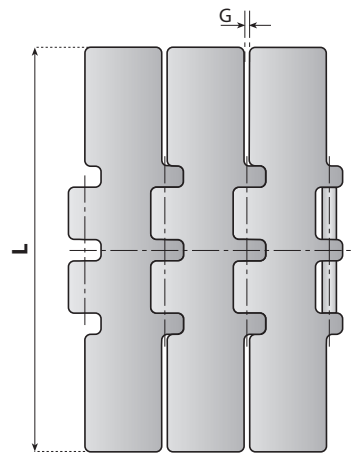
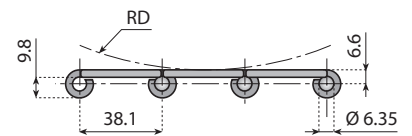
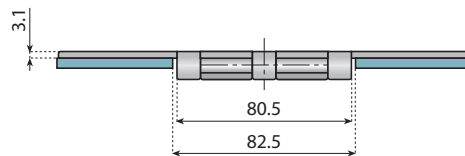
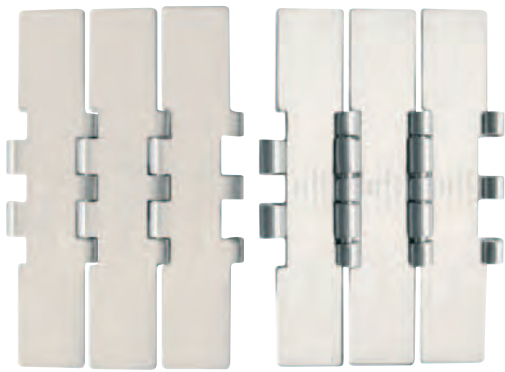
Chain - Ref.	Code	Material	Max. working load	Finish μm	Flatness (max) mm	Polished hinges	Width L		G mm	RD mm	Weight Kg/m
							mm	inch			
SPSL 815 K325	10085L	EXTRA PLUS	6.000	0.2	0.1	yes	82.5	3 ¼	1.5	150	2.55
SPSL 815 K330	10086L			0.2			83.8	3 19/64			2.60
SPSL 815 K325 HB	10095L	EXTRA PLUS HB		0.2			82.5	3 ¼			2.55
SPSL 815 K330 HB	10096L			83.8			3 19/64	2.60			

Standard length: 80 pitches (10 ft. - 3.048 m)

Breaking Load according to Standard ISO 4348 - DIN 8153

800 - 802 - 805

STRAIGHT RUNNING CHAINS DOUBLE HINGE



Advantages:

- Very high strength.
- For heavy duty applications.



Pages 4→7



Pages 281→284

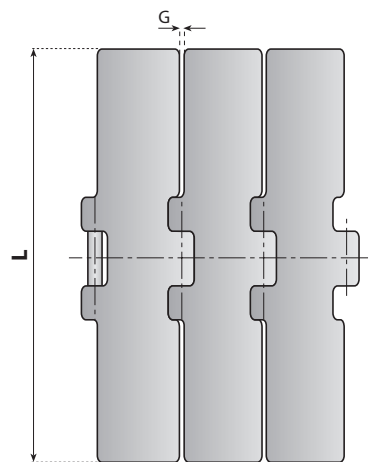
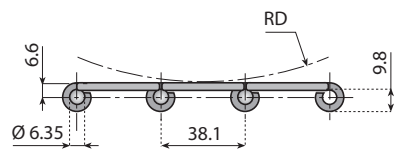
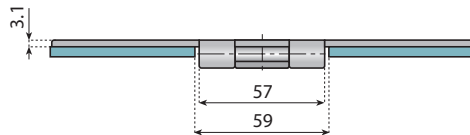
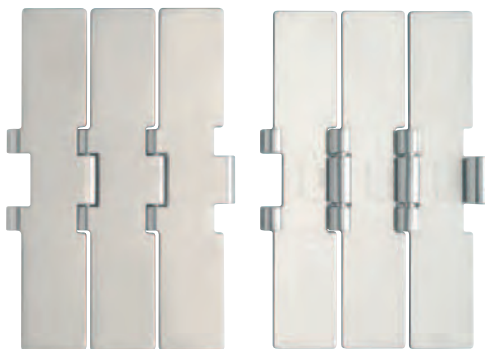


Pages 340→343

Chain - Ref.	Code	Material	Max. working load	Finish μm	Width L		G mm	RD mm	Weight Kg/m
					mm	inch			
S 800 K750	10050	C45	28.000	not applicable	190.5	7 ½	1.8	150	5.8
SR 800 K750	10060						2.8	75	5.7
SS 802 K750	10051	STANDARD	10.300	0.6			1.8	150	5.8
SSR 802 K750	10061						2.8	75	5.7
SSE 805 K750	10052	EXTRA PLUS	15.000	0.3			1.8	150	5.8
SSER 805 K750	10062						2.8	75	5.7
SSE 805 K750 HB	10055	HB	15.000	0.3			1.8	150	5.8
SSA 805 K750	10053	AUSTENITIC	9.600	0.3			1.8	150	5.8

8157

STRAIGHT RUNNING CHAINS HEAVY DUTY SINGLE HINGE



Advantages:

- High strength
- Helps standardising your conveyor constructions
- Same hinge width available in many chain types, both steel and plastic, also LBP chains and rubber top chains



Pages 4→7



Pages 285→287

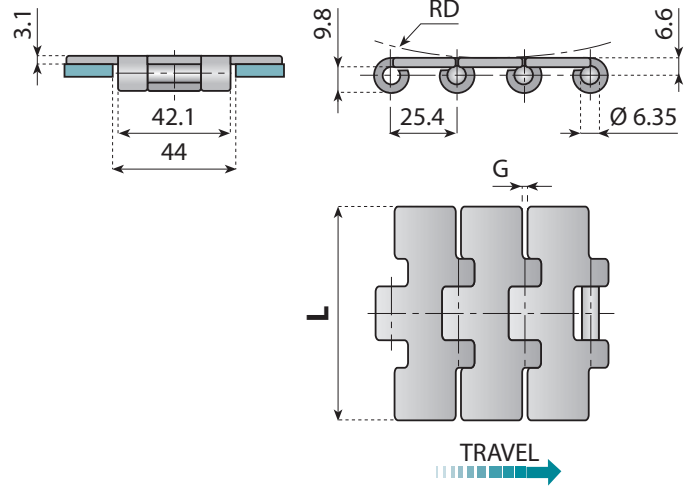


Pages 340→343

Chain - Ref.	Code	Material	Max. working load	Finish μm	Width L		G mm	RD mm	Weight Kg/m
					mm	inch			
SSE 8157 K750	10054	EXTRA PLUS	10.400	0.3	190.5	7 ½	1.8	150	5.60
SSE 8157 K750 HB	10059	HB							

Standard length: 80 pitches (10 ft. - 3.048 m)

Breaking Load according to Standard ISO 4348 - DIN 8153



Advantages:

- Small pitch offering short product transfers



Pages
4⇨7



Page
288

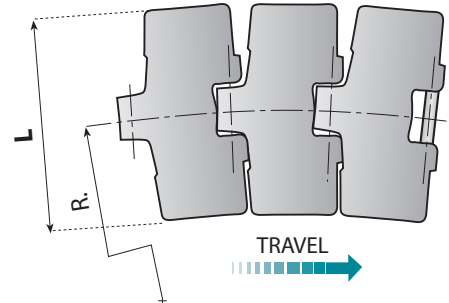
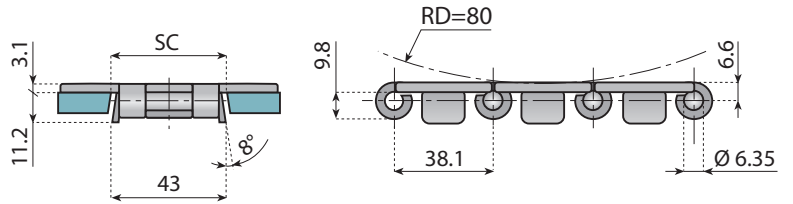


Pages
340⇨343

Chain - Ref.	Code	Material	Max. working load	Finish μm	Width L		G mm	RD mm	Weight Kg/m
					mm	inch			
SSE 515 K217	10040	EXTRA	5.200	0.3	55.0	2 1/64	1.6	100	2.3
SSE 515 K236	10041				60.0	2 27/64			2.4
SSE 515 K250	10042				63.5	2 1/2			2.5
SSE 515 K283	10043				72.0	2 27/32			2.7
SSE 515 K325	10044				82.5	3 1/4			2.9
SSE 515 K350	10045				88.9	3 1/2			3.0
SSE 515 K400	10046				101.6	4			3.3

Standard length: 120 pitches (10 ft. - 3.048 m)

Breaking Load according to Standard ISO 4348 - DIN 8153



Pages 4→7



Pages 257+261



Pages 265+268

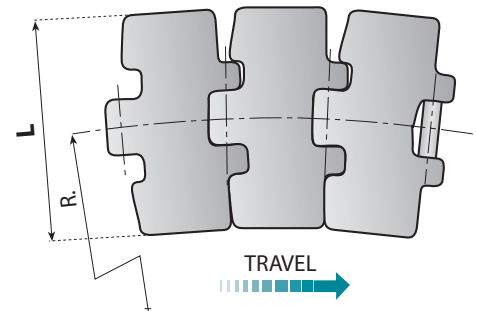
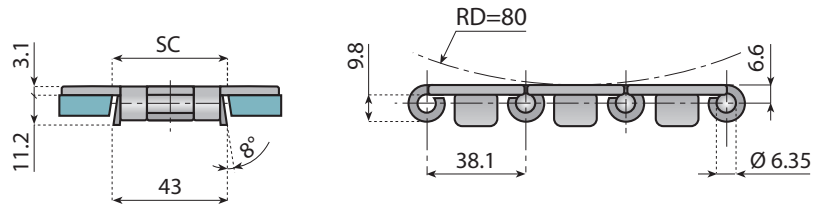
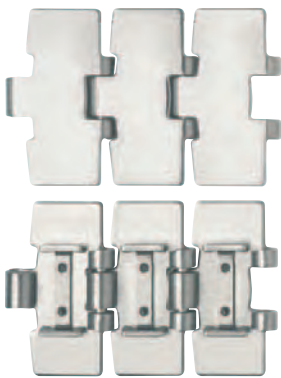


Pages 289→292



Pages 340→343

Chain - Ref.	Code	Material	Max. working load	Finish μm	Width L		R min.	SC		Weight Kg/m
					mm	inch		Straight	Curving	
SSE 881 K325	10101	EXTRA	4.850	0.3	82.5	3 1/4	500	44.5	41.5	3.00
SSE 881 K450	10102				114.3	4 1/2				3.70
SSE 881 K750	10103				190.5	7 1/2				5.50
SSA 881 K325	10107	AUSTENITIC	4.500	0.3	82.5	3 1/4	500	44.5	41.5	3.00
SSA 881 K450	10108				114.3	4 1/2				3.70
SSA 881 K750	10109				190.5	7 1/2				5.50



The enlarged surface of our 8810 series offers improved product support compared to the 881 series.



Pages 4→7



Pages 257+261



Pages 265+268



Pages 289→292



Pages 340→343

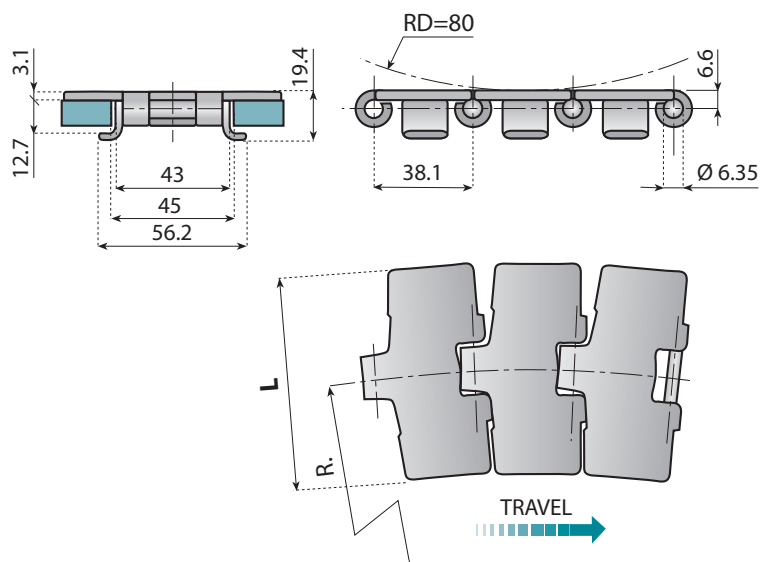
Chain - Ref.	Code	Material	Max. working load	Finish μm	Width L		R min.	SC		Weight Kg/m
					mm	inch		Straight	Curving	
SSE 8810 K325	10400	EXTRA PLUS	6.000	0.3	82.5	3 1/4	500	44.5	41.5	3.00
SSE 8810 K350	10406				88.9	3 1/2				3.20
SSE 8810 K450	10401				114.3	4 1/2				3.70
SSE 8810 K750	10402				190.5	7 1/2				5.50
SSS 8810 K325	10407	SUPER FINISH	0.2	82.5	82.5	3 1/4	500	44.5	41.5	3.00
SSS 8810 K350	10408				88.9	3 1/2				3.20

Standard length: 80 pitches (10 ft. - 3.048 m)

Breaking Load according to Standard ISO 4348 - DIN 8153

SIDEFLEXING CHAINS - TAB SYSTEM

881 TAB



MATERIAL Pages 4→7

CONVEYOR Pages 256+261

DRIVE Pages 265+267

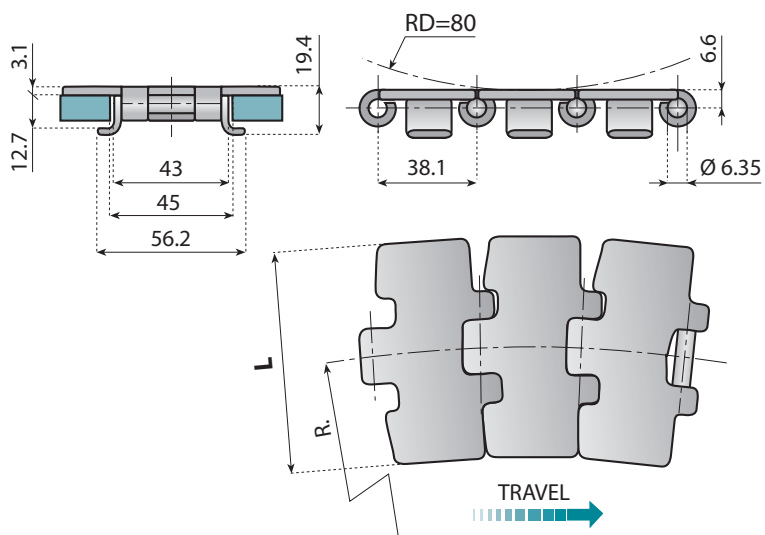
ACCESSORIES Pages 289→292

APPLICATIONS Pages 340→343

Chain - Ref.	Code	Material	Max. working load	Finish μm	Width L		R min.	Weight Kg/m
					mm	inch		
SSE 881 TAB K325	10104	EXTRA	4.850	0.3	82.5	3 ¼	500	3.00
SSE 881 TAB K450	10105				114.3	4 ½		3.70
SSE 881 TAB K750	10106				190.5	7 ½		5.50
SSA 881 TAB K325	10110	AUSTENITIC	4.500		82.5	3 ¼		3.00
SSA 881 TAB K450	10111				114.3	4 ½		3.70
SSA 881 TAB K750	10112				190.5	7 ½		5.50

SIDEFLEXING CHAINS - TAB SYSTEM

8810 TAB



The enlarged surface of our 8810 series offers improved product support compared to the 881 series.

MATERIAL Pages 4→7

CONVEYOR Pages 256+261

DRIVE Pages 265+267

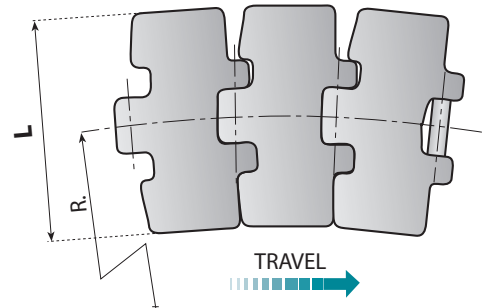
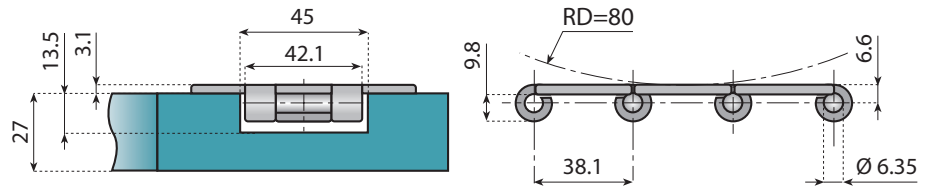
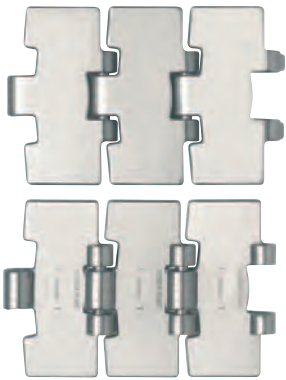
ACCESSORIES Pages 289→292

APPLICATIONS Pages 340→343

Chain - Ref.	Code	Material	Max. working load	Finish μm	Width L		R min.	Weight Kg/m
					mm	inch		
SSE 8810 TAB K325	10403	EXTRA PLUS	6.000	0.3	82.5	3 ¼	500	3.00
SSE 8810 TAB K350	10420				88.9	3 ½		3.20
SSE 8810 TAB K450	10404				114.3	4 ½		3.70
SSE 8810 TAB K750	10405				190.5	7 ½		5.50

Standard length: 80 pitches (10 ft. - 3.048 m)

Breaking Load according to Standard ISO 4348 - DIN 8153



Characteristics:

- The chains series 881 M and 8857 M are securely retained in the curve by magnets located under the hinge of the chain in the upper part of curve. As there are no TAB or BEVEL shoes on these chains they can be easily removed from the curve for maintenance or for cleaning, without dismantling the chain.
- The enlarged surface of our 881 MO series offers improved product support compared to the 881 M series.

Advantages:

- Optimum flatness of chains in curves
- Less power consumption
- For high speed lines
- Best product transfer along as well as across the running direction

On request and for adequate quantities these chains can be produced in:

C45
Through Hardened Carbon Steel

Note:

Pin in Ferritic Stainless Steel.



Pages 4⇒7



Pages 202⇒220



Page 268



Pages 274⇒278

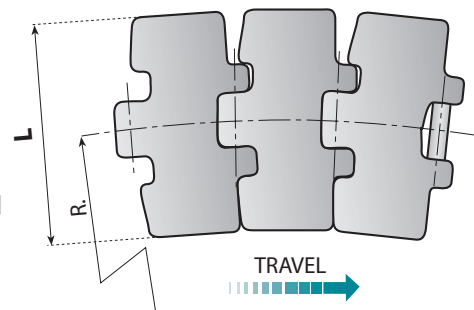
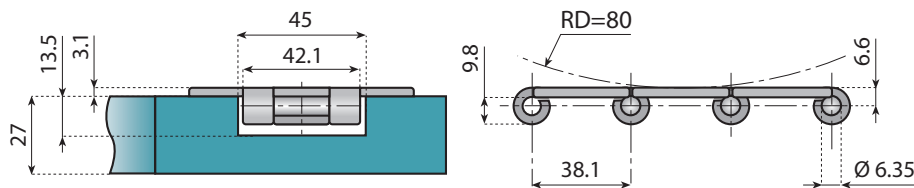
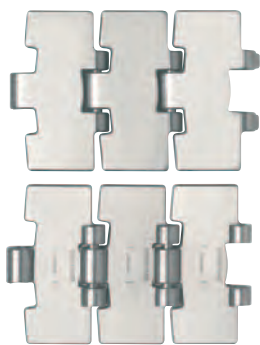


Pages 340⇒343

Chain - Ref.	Code	Material	Flatness (max) mm	Polished hinges	Max. working load	Finish µm	Width L		R min.	Weight Kg/m	
							mm	inch			
SS 881 MO K325	10208	STANDARD	0.15	yes	5.400	0.6	82.5	3 ¼	500	2.60	
SS 881 MO K330	10209						83.8	3 19/64		2.65	
SS 881 M K450	10211		0.2				114.3	4 ½	457	3.10	
SS 881 M K750	10212						190.5	7 ½		4.90	
SSE 881 MO K325	10206	EXTRA PLUS	0.15		yes	6.000	0.3	82.5	3 ¼	500	2.60
SSE 881 MO K330	10207							83.8	3 19/64		2.65
SSE 881 M K450	10201		0.2					114.3	4 ½	457	3.10
SSE 881 M K750	10203							190.5	7 ½		4.90
SSE 881 MO K325 HB	10213	EXTRA PLUS HB	0.15	yes		6.000	0.3	82.5	3 ¼	500	2.60
SSE 881 MO K330 HB	10214							83.8	3 19/64		2.65

Standard length: 80 pitches (10 ft. - 3.048 m)

Breaking Load according to Standard ISO 4348 - DIN 8153



Advantages:

- All advantages of the magnetic system
- The best choice for the most demanding applications, like pressureless combiners and high speed applications
- Improved flatness
- Optimum product stability



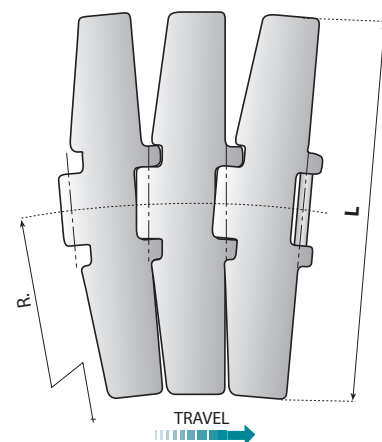
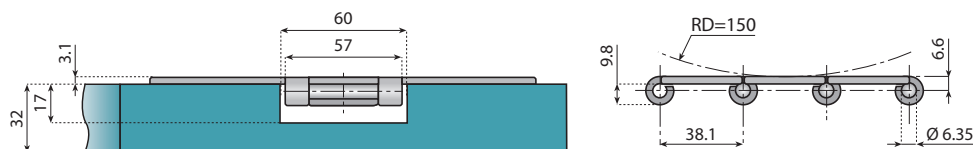
L881 MO SIDEFLEXING CHAINS FOR MAGNETIC SYSTEM

Chain - Ref.	Code	Material	Flatness (max) mm	Polished hinges	Max. working load	Finish µm	Width L		R min.	Weight Kg/m
							mm	inch		
SSL 881 MO K325	10208L	STANDARD	0.1	yes	5.400	0.6	82.5	3 ¼	500	2.50
SSEL 881 MO K325	10206L	EXTRA PLUS			6.000	0.3				
SSEL 881 MO K325 HB	10213L	EXTRA PLUS HB								

L881 MO SPEED - LINE SIDEFLEXING CHAINS FOR MAGNETIC SYSTEM

Chain - Ref.	Code	Material	Flatness (max) mm	Polished hinges	Max. working load	Finish µm	Width L		R min.	Weight Kg/m
							mm	inch		
SPSL 881 MO K325	10255L	EXTRA PLUS	0.1	yes	6.000	0.2/ SUPER FINISH	82.5	3 ¼	500	2.50
SPSL 881 MO K330	10256L						83.8	3 19/64		2.55
SPSL 881 MO K325 HB	10265L	EXTRA PLUS HB					82.5	3 ¼		2.50
SPSL 881 MO K330 HB	10266L						83.8	3 19/64		2.55

SIDEFLEXING CHAINS FOR MAGNETIC SYSTEM - HEAVY DUTY



Advantages:

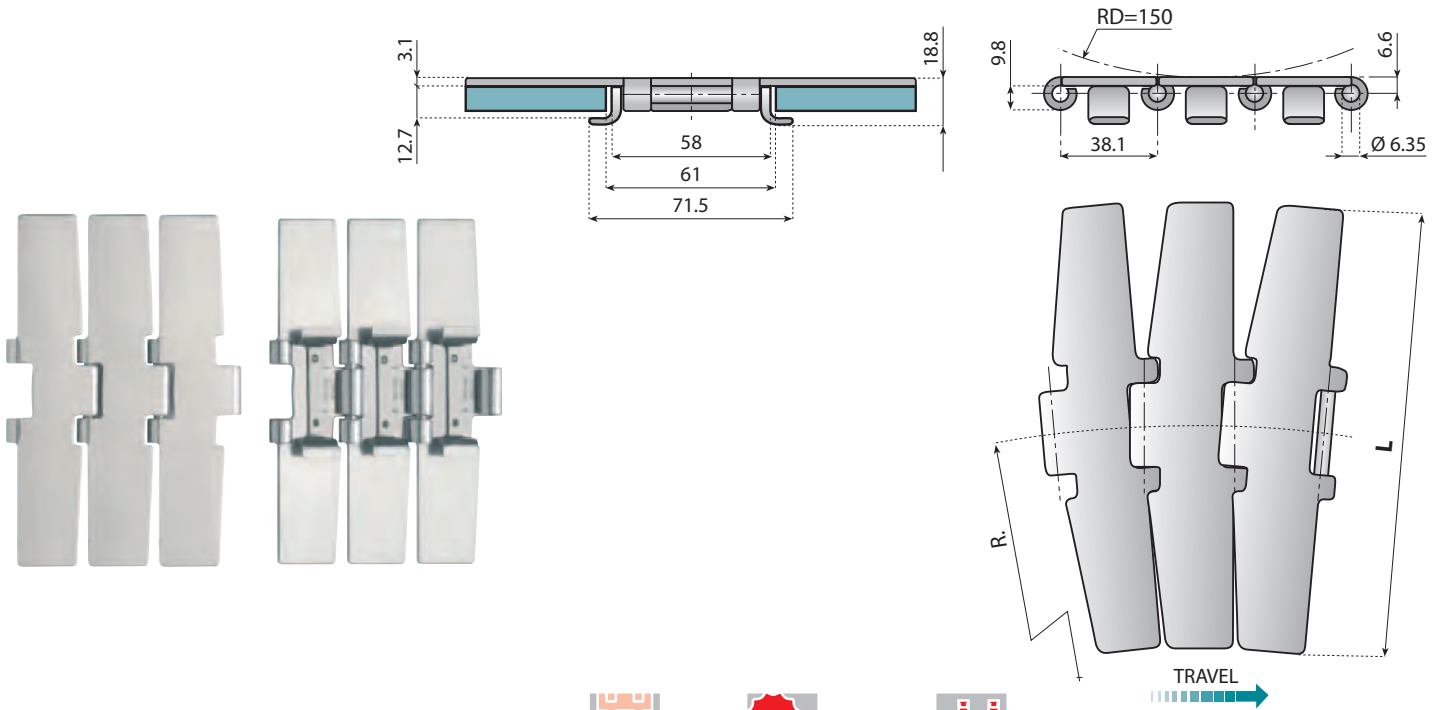
- All advantages of the magnetic system
- High strength
- Helps standardising your conveyor constructions
- Same hinge width available in many chain types, both steel and plastic, also LBP chains and rubber top chains.



Chain - Ref.	Code	Material	Max. working load	Finish µm	Width L		R min.	Weight Kg/m
					mm	inch		
SSE 8857 M K750	10204	EXTRA PLUS	10.400	0.3	190.5	7 ½	750	5.30
SSE 8857 M K750 HB	10218	HB						

Standard length: 80 pitches (10 ft. - 3.048 m)

Breaking Load according to Standard ISO 4348 - DIN 8153



Advantages:
• High strength



Pages 4⇒7



Page 274

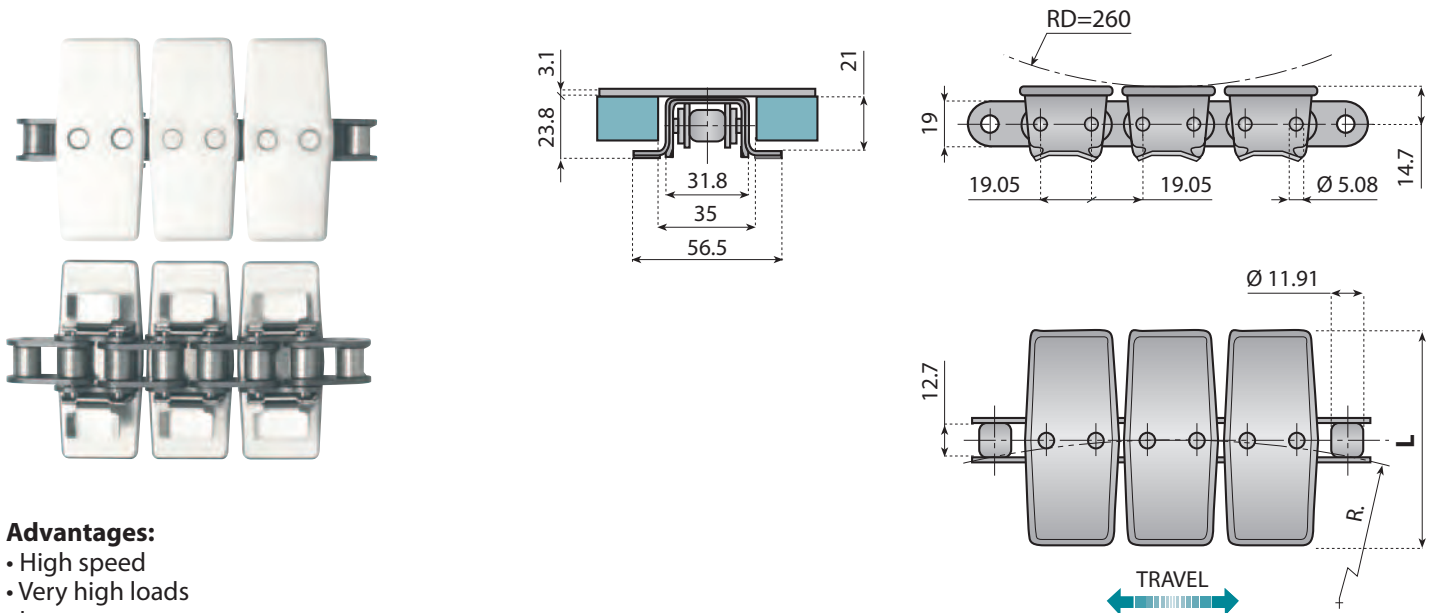


Pages 340⇒343

Chain - Ref.	Code	Material	Max. working load	Finish μm	Width L		R min.	Weight Kg/m
					mm	inch		
SSE 8857 TAB K750	10219	EXTRA PLUS	10.400	0.3	190.5	7 1/2	750	6.10
SSE 8857 TAB K750 HB	10220	HB						

Standard length: 80 pitches (10 ft. - 3.048 m)

1874 SIDEFLEXING PLATE TOP CHAINS WITH BASE ROLLER CHAINS 19.05 mm (3/4 ") PITCH



Advantages:
• High speed
• Very high loads
• Longer conveyors
• Flights removable
• Lower noise
• No chain elongation



Pages 4⇒7



Page 260



Page 267



Page 308



Pages 340⇒343

Chain - Ref.	Code	Material		Max. working load	Finish μm	Width L		R min.	Weight Kg/m
		Plate	Roller chain			mm	inch		
1874 K325	11830	C45	C45	27.000	0.6	82.5	3 1/4	380	4.2
1874 SS K325	11831	EXTRA	AUSTENITIC	21.000					
1874A K325	11832		C45	27.000					

Standard length: 160 pitches (10 ft. - 3.048 m)

Breaking Load according to Standard ISO 4348 - DIN 8153

STRAIGHT RUNNING STEEL CHAINS with high friction surface

Series

[815 VG - 815 VG MINI - 815 TAB VG](#)

[805 VG - 8157 VG - 8157 TAB VG](#)

Pages

[26 → 28](#)

SIDEFLEXING STEEL CHAINS with high friction surface

Series

[881 VG - 881 TAB VG](#)

[8857 M VG - 881 MO VG](#)

Pages

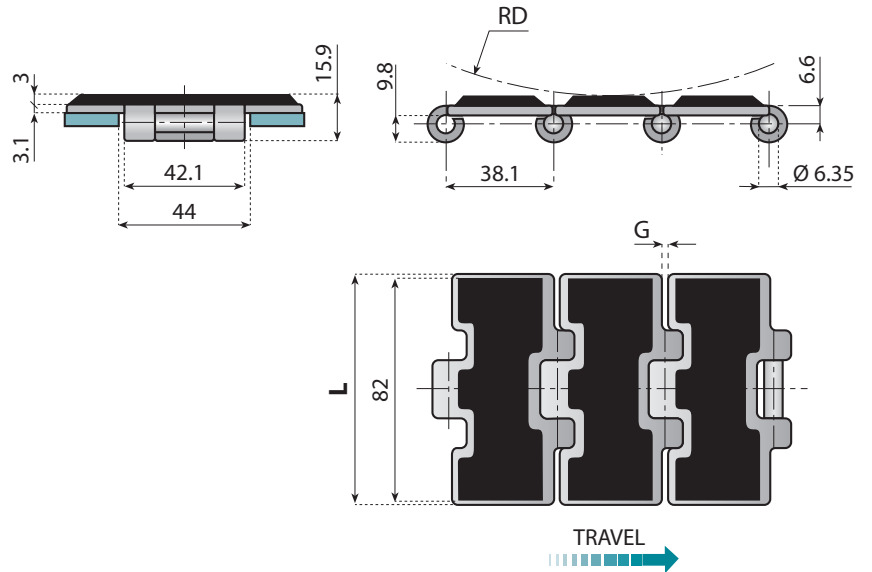
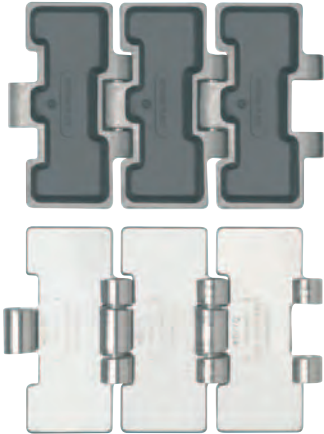
[29 → 30](#)

ALL OUR STEEL CHAINS OFFER:

- **HIGH RESISTANCE TO WEAR AND TEAR**
- **WORKING TEMPERATURE FROM -30° TO +120°C**
- **HIGH RESISTANCE TO OIL, GREASE AND ACIDS**
- **INCLINES UP TO MAX 20°**

815 VG

STRAIGHT RUNNING CHAINS SINGLE HINGE WITH RUBBER PADS



Characteristics:

Flat top chains with vulcanized NBR rubber.



Pages 4⇒7



Pages 274⇒278

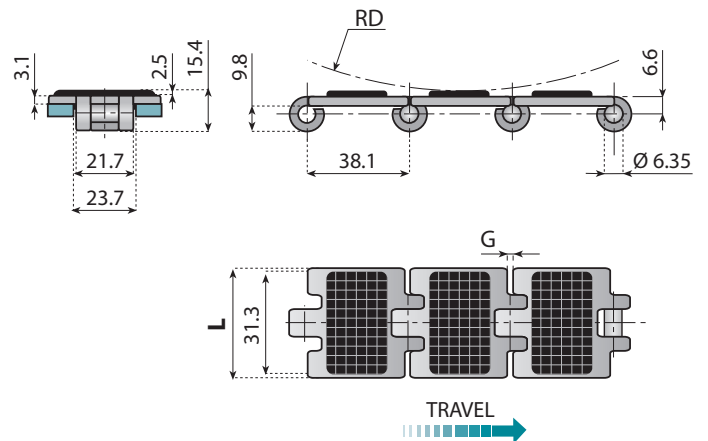
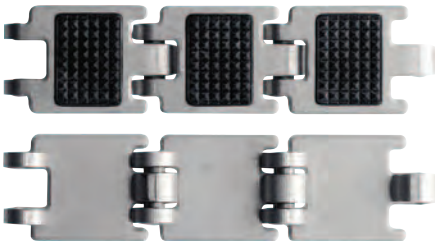


Pages 340⇒343

Chain - Ref.	Code	Material		Max. working load	Width L		G mm	RD mm	Weight Kg/m
		Chain	Rubber		mm	inch			
SSER 815 K325 VG	10500	EXTRA PLUS	NBR	6.000	82.5	3 ¼	2.8	75	2.8

815 VG MINI

STRAIGHT RUNNING CHAINS MINI HINGE WITH RUBBER PADS



Characteristics:

Flat top chains with vulcanized NBR rubber.



Pages 4⇒7



Pages 278⇒279



Pages 340⇒343

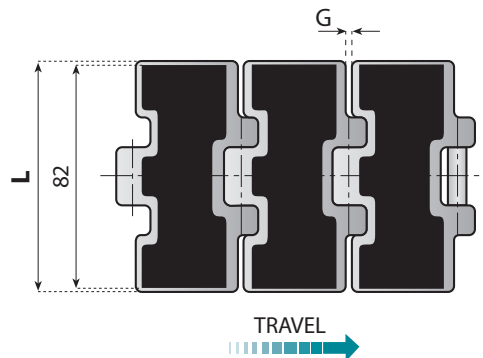
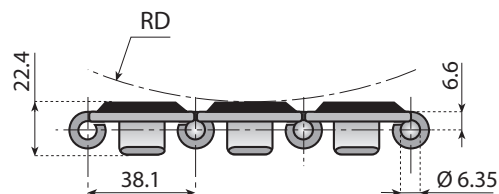
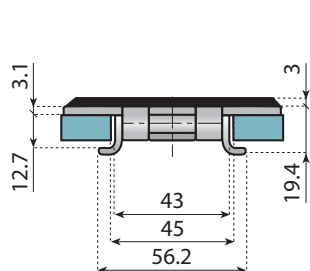
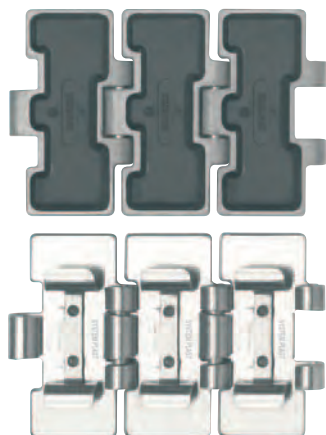
Chain - Ref.	Code	Material		Max. working load	Width L		G mm	RD mm	Weight Kg/m
		Chain	Rubber		mm	inch			
SSER 815 K125 VG	10072	EXTRA PLUS	NBR	4.000	31.8	1 ¼	2.8	75	1.20

Standard length: 80 pitches (10 ft. - 3.048 m)

Breaking Load according to Standard ISO 4348 - DIN 8153

STRAIGHT RUNNING CHAINS SINGLE HINGE WITH TABS AND RUBBER PADS

815 TAB VG



Characteristics:

Flat top chains with vulcanized NBR rubber. Tabs reduce friction on the return section of the conveyor.



Pages 4⇒7



Pages 265+267



Pages 289⇒292

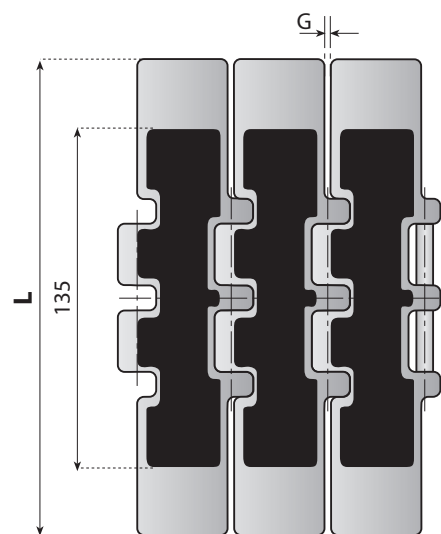
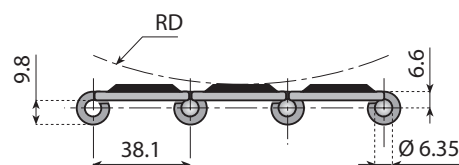
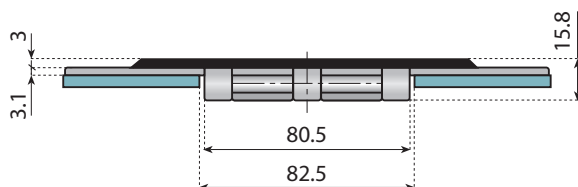
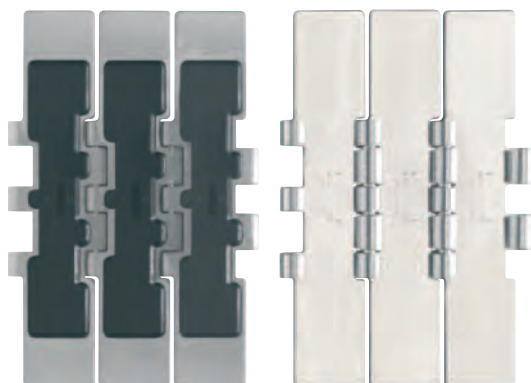


Pages 340⇒343

Chain - Ref.	Code	Material		Max. working load	Width L		G mm	RD mm	Weight Kg/m
		Chain	Rubber		mm	inch			
SSER 815 TAB K325 VG	10510	EXTRA PLUS	NBR	6.000	82.5	3 ¼	2.8	75	3.4

STRAIGHT RUNNING CHAINS DOUBLE HINGE WITH RUBBER PADS

805 VG



Characteristics:

Flat top chains with vulcanized NBR rubber.



Pages 4⇒7



Pages 281⇒284

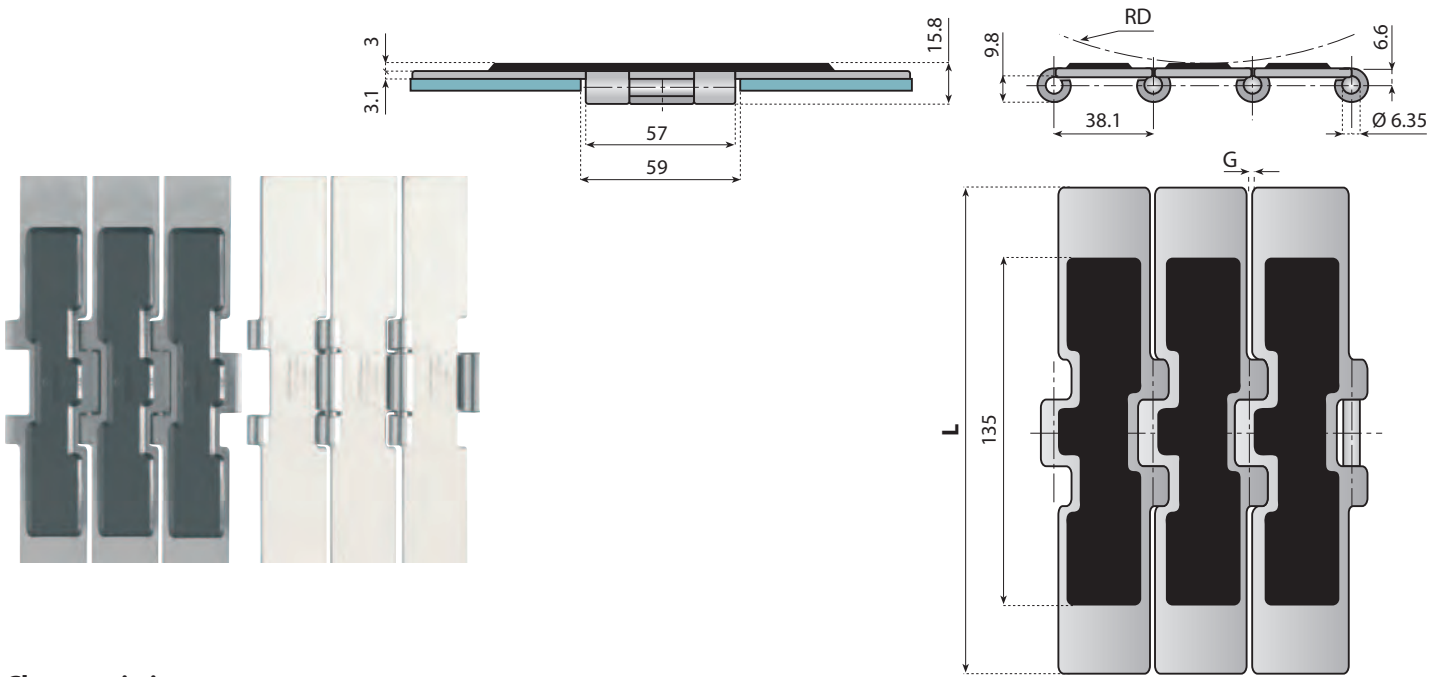


Pages 340⇒343

Chain - Ref.	Code	Material		Max. working load	Width L		G mm	RD mm	Weight Kg/m
		Chain	Rubber		mm	inch			
SSE 805 K750 VG	10502	EXTRA PLUS	NBR	15.000	190.5	7 ½	1.8	150	6.2

8157 VG

STRAIGHT RUNNING CHAINS - HEAVY DUTY SINGLE HINGE WITH RUBBER PADS



Characteristics:

Flat top chains with vulcanized NBR rubber.



Pages 4→7



Pages 285→287



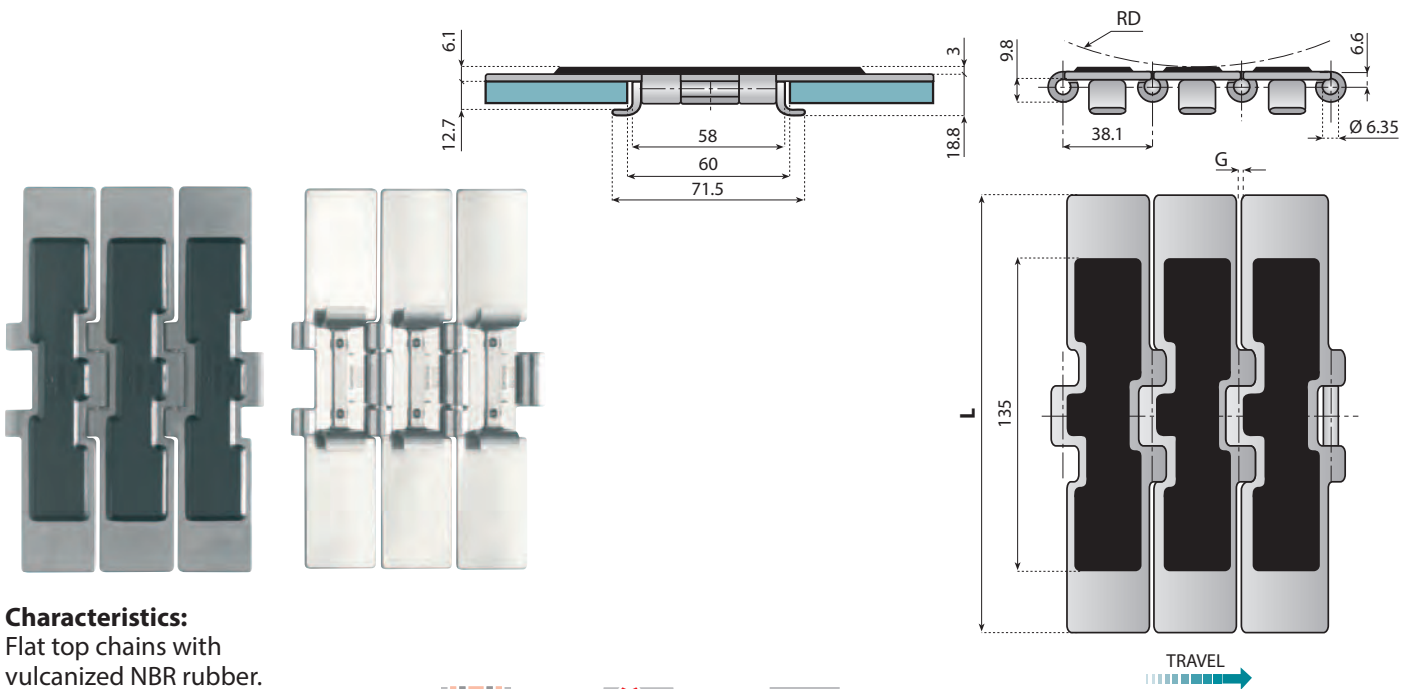
Pages 340→343



Chain - Ref.	Code	Material		Max. working load	Width L		G mm	RD mm	Weight Kg/m
		Chain	Rubber		mm	inch			
SSE 8157 K750 VG	10512	EXTRA PLUS	NBR	10.400	190.5	7 ½	1.8	150	6.0
SSE 8157 K750 HB - VG	10515	HB							

8157 TAB VG

STRAIGHT RUNNING CHAINS - HEAVY DUTY SINGLE HINGE WITH RUBBER PADS



Characteristics:

Flat top chains with vulcanized NBR rubber. Tabs reduce friction on the return section of the conveyor.



Pages 4→7



Page 274



Pages 340→343



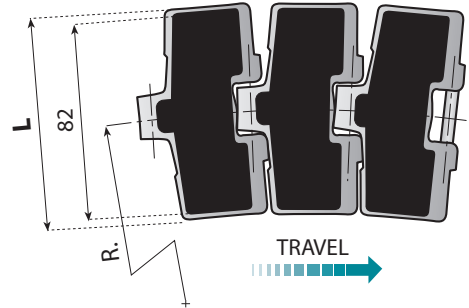
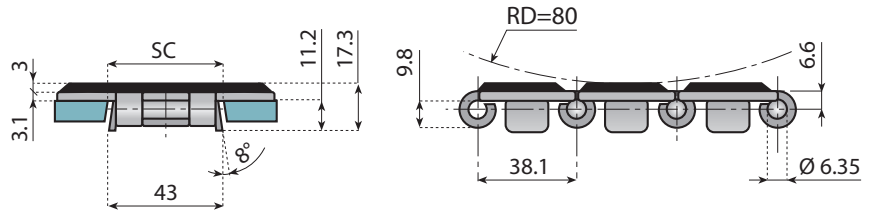
Chain - Ref.	Code	Material		Max. working load	Width L		G mm	RD mm	Weight Kg/m
		Chain	Rubber		mm	inch			
SSE 8157 TAB K750 VG	10514	EXTRA PLUS	NBR	10.400	190.5	7 ½	1.8	150	7.5
SSE 8157 TAB K750 HB - VG	10513	HB							

Standard length: 80 pitches (10 ft. - 3.048 m)

Breaking Load according to Standard ISO 4348 - DIN 8153

SIDEFLEXING CHAINS WITH RUBBER PADS

881 VG



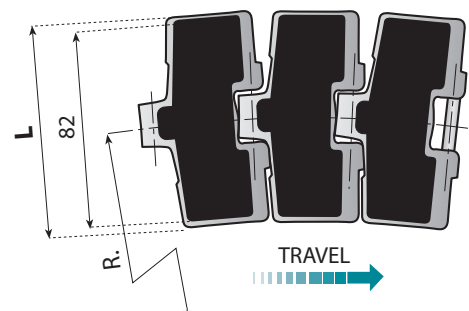
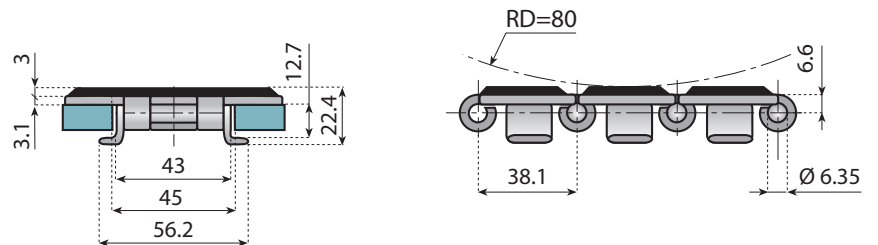
Characteristics:
Sideflexing chains with vulcanized NBR rubber.



Chain - Ref.	Code	Material		Max. working load	Width L		R min.	SC		Weight Kg/m
		Chain	Rubber		mm	inch		Straight	Curving	
SSE 881 K325 VG	10504	EXTRA	NBR	4.850	82.5	3 ¼	500	44.5	41.5	3.1

SIDEFLEXING CHAINS WITH RUBBER PADS

881 TAB VG



Characteristics:
Sideflexing chains with vulcanized NBR rubber. Tabs reduce friction on the return section of the conveyor.



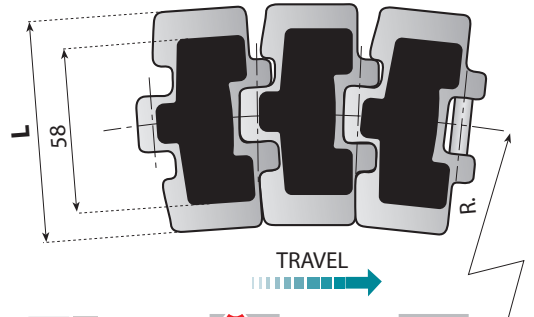
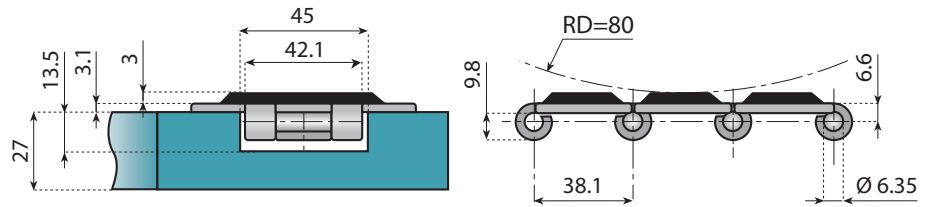
Chain - Ref.	Code	Material		Max. working load	Width L		R min.	Weight Kg/m
		Chain	Rubber		mm	inch		
SSE 881 TAB K325 VG	10503	EXTRA	NBR	4.850	82.5	3 ¼	500	3.1

Standard length: 80 pitches (10 ft. - 3.048 m)

Breaking Load according to Standard ISO 4348 - DIN 8153

881 MO VG

SIDEFLEXING MAGNETIC CHAINS WITH RUBBER PADS



Characteristics:

Sideflexing chains with vulcanized NBR rubber.
All advantages of the magnetic system.
High strength.



Pages 4→7



Pages 257+261



Pages 265+268



Pages 289→292

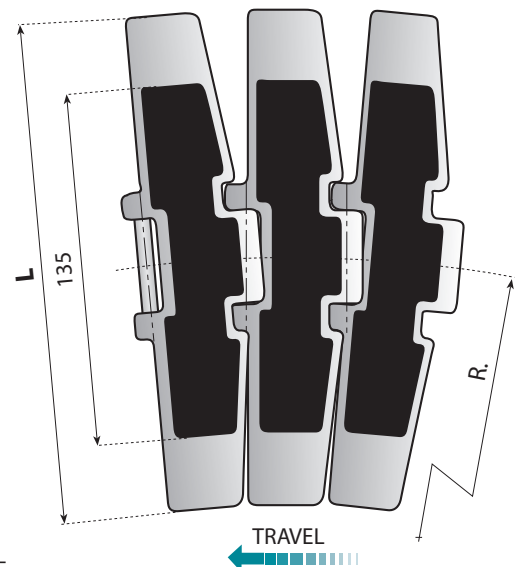
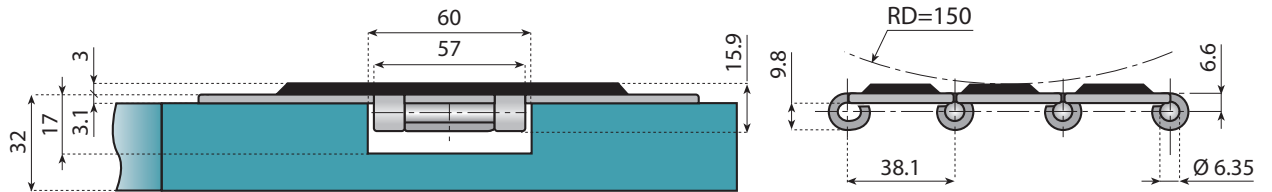
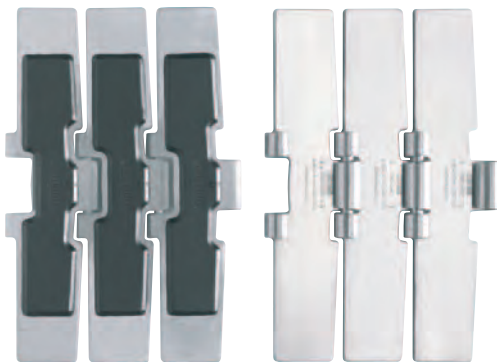


Pages 340→343

Chain - Ref.	Code	Material		Max. working load	Width L		R min.	Weight Kg/m
		Chain	Rubber		mm	inch		
SSE 881 MO K325 VG	10225	EXTRA PLUS	NBR	6.000	82.5	3 ¼	500	2.6

8857 M VG

SIDEFLEXING MAGNETIC CHAINS WITH RUBBER PADS



Characteristics:

Sideflexing chains with vulcanized NBR rubber

Advantages:

- All advantages of the magnetic system
- High strength
- Helps standardising your conveyor constructions
- Same hinge width available in many chain types, both steel and plastic, also LBP chains and flat top chains.

ON REQUEST,
THIS CHAIN TYPE IS ALSO AVAILABLE
WITH TABS.



Pages 4→7



Page 216



Pages 285→287



Pages 340→343

Chain - Ref.	Code	Material		Max. working load	Width L		R min.	Weight Kg/m
		Chain	Rubber		mm	inch		
SSE 8857 M K750 VG	10511	EXTRA PLUS	NBR	10.400	190.5	7 ½	750	5.7
SSE 8857 M K750 HB VG	10516	HB						

Standard length: 80 pitches (10 ft. - 3.048 m)

Breaking Load according to Standard ISO 4348 - DIN 8153

STRAIGHT RUNNING PLASTIC CHAINS

Series

[820/820J - 828 - 831 - SK 38](#)

[821 - 8257](#)

Pages

[32 → 35](#)

SIDEFLEXING PLASTIC CHAINS

Series

[878 TAB - 879 - 879 M - 879 J - 879 TAB](#)

[880 - 880 M - 880 J - 880 TAB - 882](#)

[882 M - 882 TAB - 882 BEVEL](#)

Pages

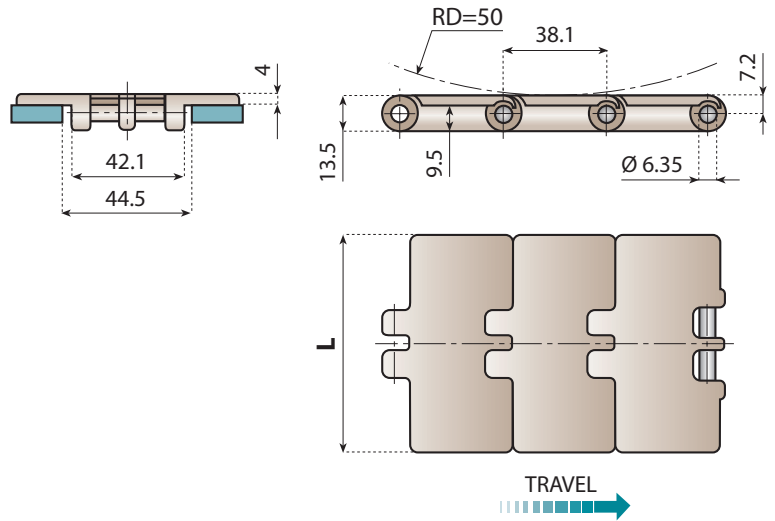
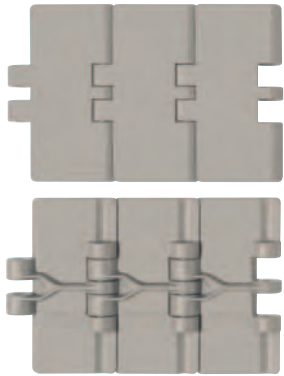
[36 → 43](#)

ALL OUR PLASTIC CHAINS OFFER:

- **LOW FRICTION COEFFICIENT**
- **LOW NOISE LEVEL**
- **LOW HORSEPOWER REQUIREMENTS**
- **HIGH WORKING LOAD**
- **EXCELLENT FLAT SURFACE**
- **DRY RUNNING POSSIBILITY**

APPLICATIONS:

- **FOOD AND BEVERAGE INDUSTRY: CONVEYING LINES FOR PET BOTTLES, ALUMINIUM CANS, STEEL CANS. PACKAGING LINES (PET BOTTLE PACKS IN HEAT SHRINK FILM, PAPER BOARD BOXES, CANS IN HEAT SHRINK FILM).**
- **PHARMACEUTICAL INDUSTRY.**
- **GENERAL PURPOSE CONVEYING APPLICATIONS.**



Pages 4⇒7



Pages 293⇒296



Pages 340⇒343

On request and for adequate quantities these chains can be produced in:

AR	D	AS	CR	HT
Abrasion Resistance	Grey Acetal Resin	Anti-static Acetal Resin	Chemical Resistance	High Temperature Resistance

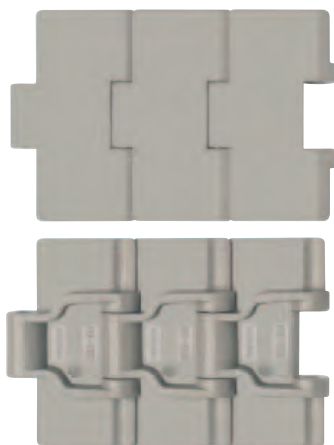
Pin material:

Austenitic steel (SPM) or plastic pin (PPM).

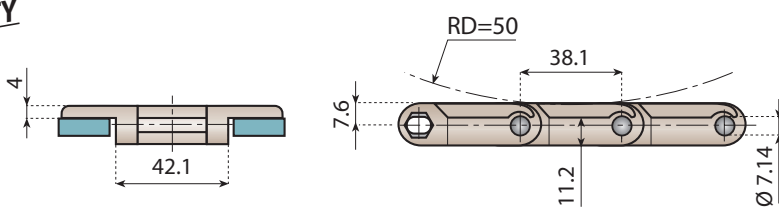
Chain - Ref.	Code	Material plate	Pin material	Breaking load N	Width L		Weight Kg/m		
					mm	inch			
LF 820 K250	11602	LF Brown	SPM	5.000	63.5	2 1/2	0.79		
LF 820 K325	11362				82.5	3 1/4	0.85		
LF 820 K330	11359				83.8	3 19/64	0.87		
LF 820 K350	11603				88.9	3 1/2	0.89		
LF 820 K400	11365				101.6	4	0.95		
LF 820 K450	11368				114.3	4 1/2	1.03		
LF 820 K600	11371				152.4	6	1.25		
LF 820 K750	11374				190.5	7 1/2	1.47		
NG 820 K250	11150	NG Green		SPM	4.000	63.5	2 1/2	0.79	
NG 820 K325	11151					82.5	3 1/4	0.85	
NG 820 K330	11157					83.8	3 19/64	0.87	
NG 820 K350	11152					88.9	3 1/2	0.89	
NG 820 K400	11153					101.6	4	0.95	
NG 820 K450	11154					114.3	4 1/2	1.03	
NG 820 K600	11155					152.4	6	1.25	
NG 820 K750	11156					190.5	7 1/2	1.47	
LF 820 J K325	11362UL	LF Brown	PPM		2.200	82.5	3 1/4	0.81	
LF 820 J K450	11368UL					114.3	4 1/2	0.99	
LF 820 J K750	11374UL					190.5	7 1/2	1.43	
NG 820 J K325	11151UL	NG Green			PPM	1.700	82.5	3 1/4	0.81
NG 820 J K450	11154UL						114.3	4 1/2	0.99
NG 820 J K750	11156UL						190.5	7 1/2	1.43

Standard length: 80 pitches (10 ft. - 3.048 m)

Breaking Load according to Standard ISO 4348 - DIN 8153



- HIGH LOAD CAPACITY
- ZERO GAP



Features:

Standardization

- Identical sprockets as sideflexing chains
- Standard conveyor construction

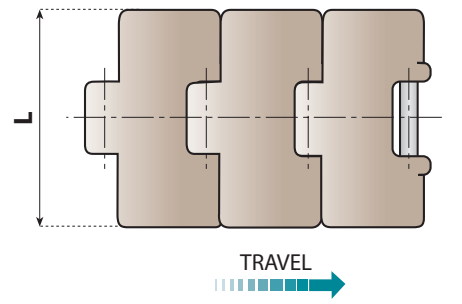
High load capacity

- Particularly suitable for accumulation tables as well as for pressure-less combiners

Improved product stability

- Reduced gap between adjacent tracks
- Better topplate flatness in the hinge area

Pin material: Austenitic Steel



On request and for adequate quantities these chains can be produced in:

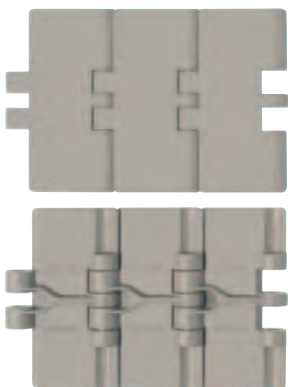
AR	D	AS	CR	HT
Abrasion Resistance	Grey Acetal Resin	Anti-static Acetal Resin	Chemical Resistance	High Temperature Resistance

MATERIAL
Pages 4→7

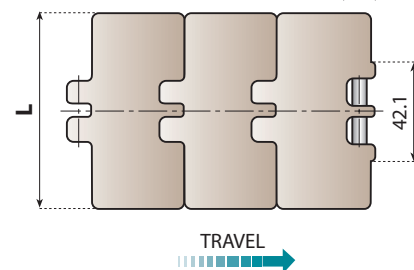
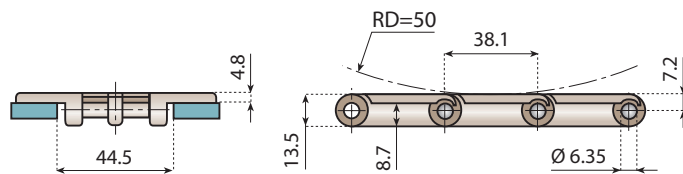
Pages
300→301

Pages
340→343

Chain - Ref.	Code	Material plate	Breaking load N	Width L		Weight Kg/m
				mm	inch	
LF 828 K325	11130	LF Brown	6.000	82.5	3 ¼	1.10
LF 828 K330	11131			83.8	3 19/64	1.15
NG 828 K325	11134	NG Green	5.000	82.5	3 ¼	1.10
NG 828 K330	11135			83.8	3 19/64	1.15



TOP PLATE THICKNESS 4.8 mm



Note:

The 831 series has a thicker top plate (4.8 mm) giving much more wear life. It also simplifies conveyor design when matching chains from the series 821 - 879 - 882 - 8257 - 882 M

On request and for adequate quantities these chains can be produced in:

AR	D	AS	CR	HT
Abrasion Resistance	Grey Acetal Resin	Anti-static Acetal Resin	Chemical Resistance	High Temperature Resistance

MATERIAL
Pages 4→7

Pages
293→296

Pages
340→343

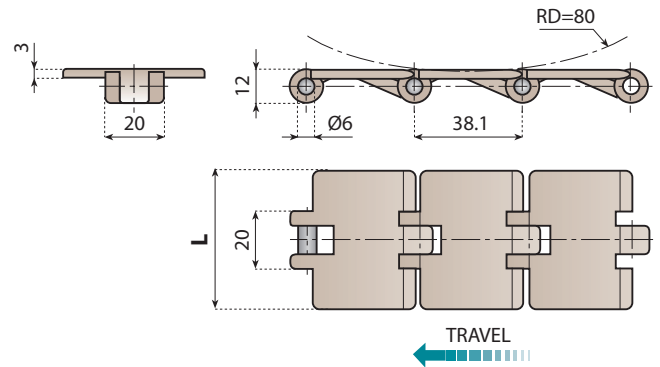
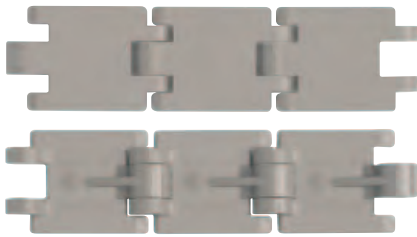
Chain - Ref.	Code	Material plate	Breaking load N	Width L		Weight Kg/m
				mm	inch	
LF 831 K325	11607	LF Brown	5.000	82.5	3 ¼	1.04
LF 831 K450	11608			114.3	4 ½	1.29
LF 831 K750	11609			190.5	7 ½	1.82
NG 831 K325	11160	NG Green	4.000	82.5	3 ¼	1.04
NG 831 K450	11161			114.3	4 ½	1.29
NG 831 K750	11162			190.5	7 ½	1.82

Standard length: 80 pitches (10 ft. - 3.048 m)

Breaking Load according to Standard ISO 4348 - DIN 8153

SK 38

STRAIGHT RUNNING CHAINS MINI SINGLE HINGE



Applications:

- Exclusive mini hinge plastic chain for use in applications where space is restricted
- Ideal for conveying containers in the cosmetic or pharmaceutical industries

On request and for adequate quantities these chains can be produced in:

D
Grey Acetal Resin



Pages 4⇒7



Pages 278⇒280



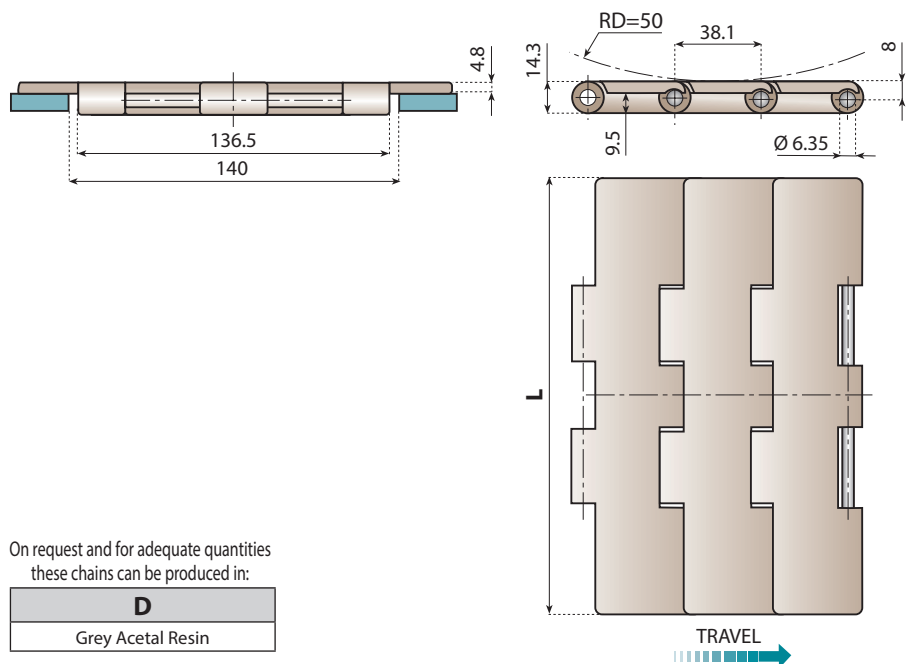
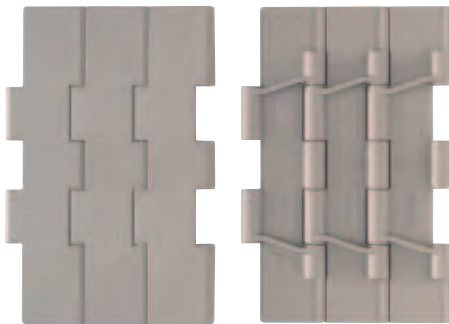
Pages 340⇒343

Pin material: Austenitic Steel

Chain - Ref.	Code	Material plate	Breaking load N	Width L		Weight Kg/m
				mm	inch	
SK 38 K32 LF	11410	LF Brown	2.000	32.0	1 ¼	0.25
SK 38 K50 LF	11411			50.8	2	0.35
SK 38 K32 NG	11414	NG Green	1.700	32.0	1 ¼	0.25
SK 38 K50 NG	11415			50.8	2	0.35

821

STRAIGHT RUNNING CHAINS DOUBLE HINGE



These chains have a double hinge and double reinforcing bars, for a high strength.

On request and for adequate quantities these chains can be produced in:

D
Grey Acetal Resin



Pages 4⇒7



Pages 297⇒299



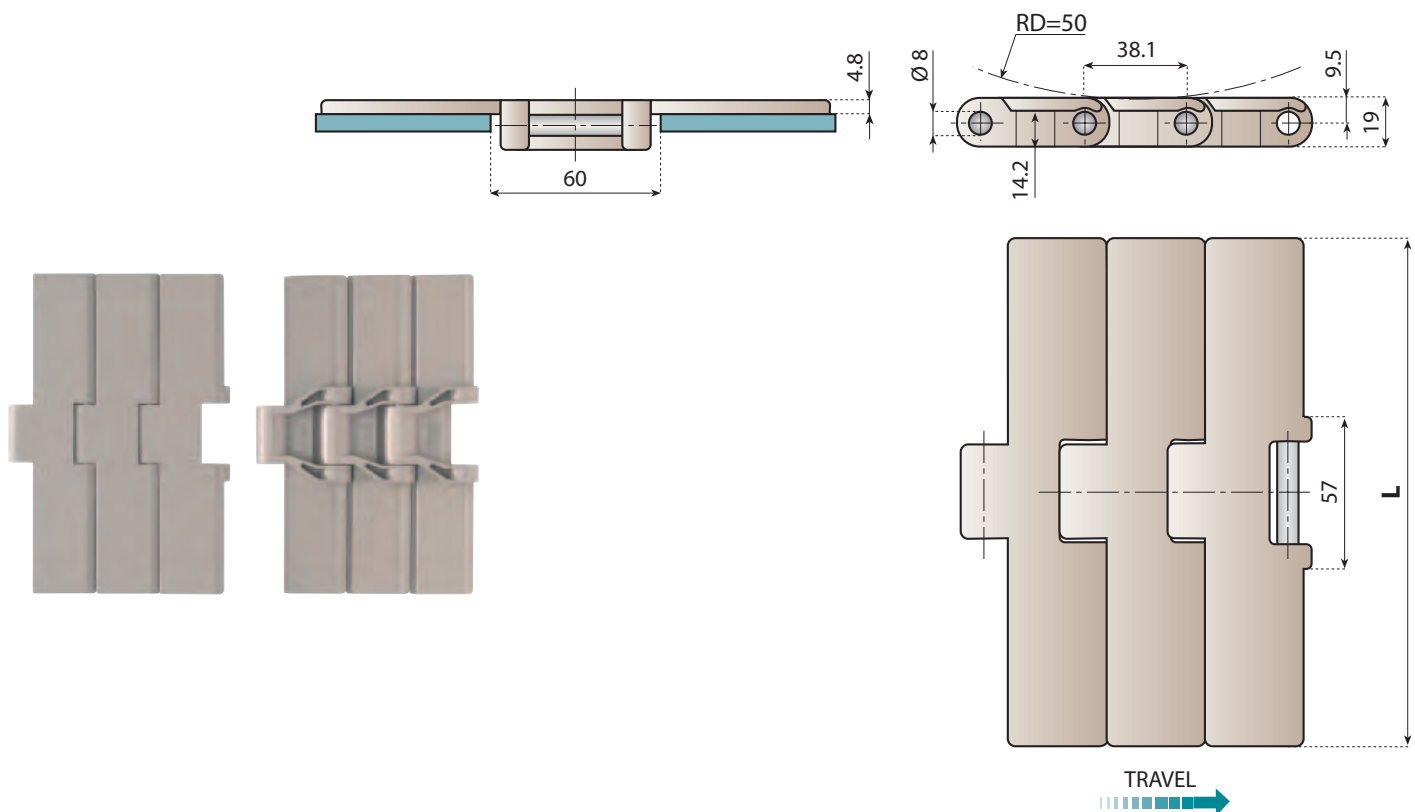
Pages 340⇒343

Pin material: Austenitic Steel

Chain - Ref.	Code	Material plate	Breaking load N	Width L		Weight Kg/m
				mm	inch	
LF 821 K750	11002	LF Brown	8.300	190.5	7 ½	2.59
LF 821 K1000	11004			254.0	10	3.08
LF 821 K1200	11006			304.8	12	3.35
NG 821 K750	11170	NG Green	7.800	190.5	7 ½	2.59
NG 821 K1000	11171			254.0	10	3.08
NG 821 K1200	11172			304.8	12	3.35

Standard length: 80 pitches (10 ft. - 3.048 m)

Breaking Load according to Standard ISO 4348 - DIN 8153



Advantages:

- High strength
- Helps standardising your conveyor constructions
- Same hinge width available in many chain types, both steel and plastic, also LBP chains and rubber top chains

Pin material: Austenitic Steel



Pages 4⇒7



Pages 303⇒305

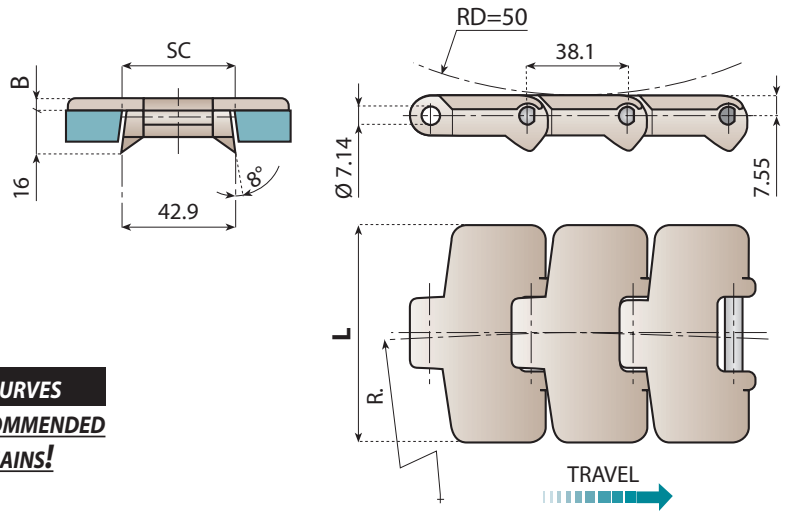


Pages 340⇒343

Chain - Ref.	Code	Material plate	Breaking load N	Width L		Weight Kg/m
				mm	inch	
LF 8257 K750	11167	LF Brown	10.000	190.5	7 ½	2.20
LF 8257 K1000	11168			254.0	10	2.55
LF 8257 K1200	11169			304.8	12	2.90
LFG 8257 K750	11175	LFG Dark Grey	10.000	190.5	7 ½	2.20
LFG 8257 K1000	11176			254.0	10	2.55
LFG 8257 K1200	11177			304.8	12	2.90
NG 8257 K750	11180	NG Green	9.000	190.5	7 ½	2.20
NG 8257 K1000	11181			254.0	10	2.55
NG 8257 K1200	11182			304.8	12	2.90

Standard length: 80 pitches (10 ft. - 3.048 m)

Breaking Load according to Standard ISO 4348 - DIN 8153



**"NOLU-S" CURVES
ARE STRONGLY RECOMMENDED
WITH THESE CHAINS!**

Note:

The 879 series has a thicker top plate (4.8 mm) giving much more wear life. It also simplifies conveyor design when matching chains from the series 821, 831, 8257 and 882.

On request and for adequate quantities these chains can be produced in:

AR	D	AS	CR	HT
Abrasion Resistance	Grey Acetal Resin	Anti-static Acetal Resin	Chemical Resistance	High Temperature Resistance



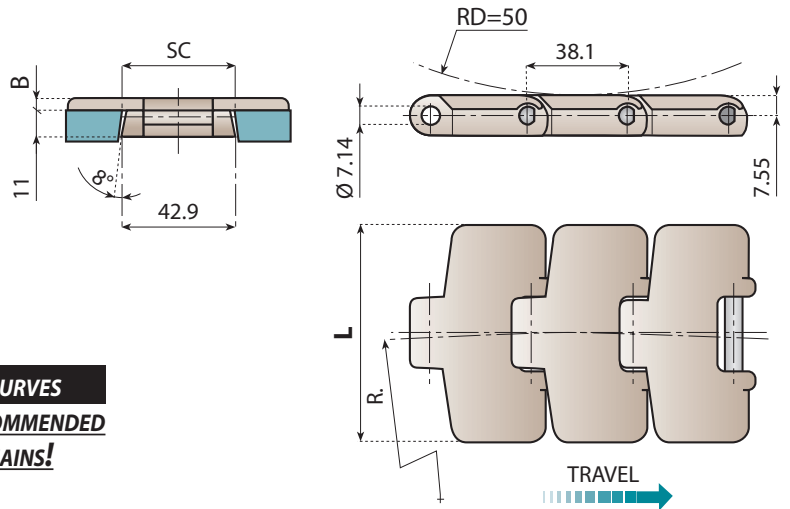
Pin material: Austenitic steel

Chain - Ref.	Code	Material plate	Breaking load N	Width L		B Thickness mm	R min.	SC		Weight Kg/m				
				mm	inch			Straight	Curving					
LF 880 K325	11383	LF Brown	6.000	82.5	3 ¼	4	500	44.5	41.3	0.89				
LF 880 K350	11189			88.9	3 ½					0.92				
LF 880 K450	11386			114.3	4 ½					1.04				
NG 880 K325	11187	NG Green	5.000	82.5	3 ¼					4	500	44.5	41.3	0.89
NG 880 K350	11186			88.9	3 ½									0.92
NG 880 K450	11185			114.3	4 ½									1.04

LF 879 K325	11506	LF Brown	6.000	82.5	3 ¼	4.8	500	44.5	41.3	0.93				
LF 879 K450	11507			114.3	4 ½					1.10				
NG 879 K325	11193	NG Green	5.000	82.5	3 ¼					4.8	500	44.5	41.3	0.93
NG 879 K450	11194			114.3	4 ½									1.10

Standard length: 80 pitches (10 ft. - 3.048 m)

Breaking Load according to Standard ISO 4348 - DIN 8153



**"NOLU-S" CURVES
ARE STRONGLY RECOMMENDED
WITH THESE CHAINS!**

Note:

The series has a thicker top plate (4.8 mm) giving much more wear life. It also simplifies conveyor design when matching chains from the series 821, 831, 8257 and 882.

On request and for adequate quantities these chains can be produced in:

AR	D	AS	CR	HT
Abrasion Resistance	Grey Acetal Resin	Anti-static Acetal Resin	Chemical Resistance	High Temperature Resistance

Pin material:

Austenitic steel (SPM) or plastic pin (PPM).

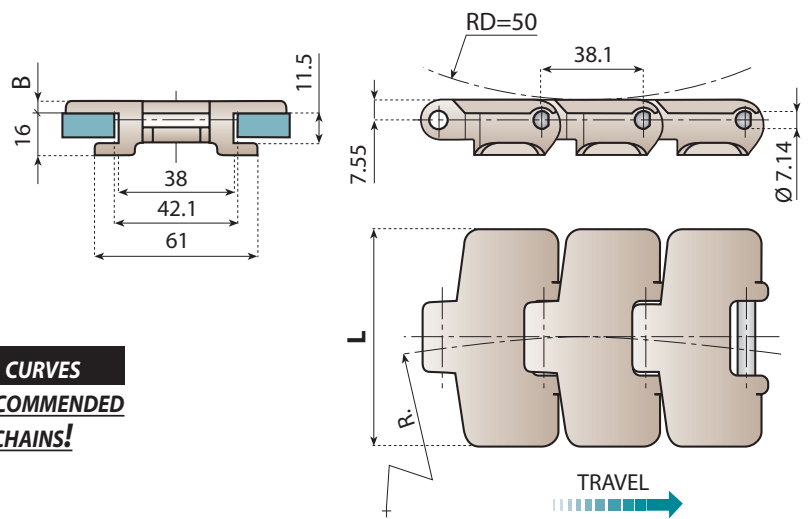


Chain - Ref.	Code	Material plate	Pin material	Breaking load N	Width L		B Thickness mm	R min.	SC		Weight Kg/m						
					mm	inch			Straight	Curving							
LF 880 J K325	11383UL	LF Brown	PPM	2.800	82.5	3 ¼	4	457	44.5	41.3	0.67						
LF 880 J K450	11386UL				114.3	4 ½						0.78					
NG 880 J K325	11187UL	NG Green		2.200	82.5	3 ¼						0.67					
NG 880 J K450	11185UL				114.3	4 ½						0.78					
LF 880 J K325 S	11383ULS	LF Brown	SPM	6.000	82.5	3 ¼						4	457	44.5	41.3	0.70	
LF 880 J K450 S	11386ULS				114.3	4 ½											0.83
NG 880 J K325 S	11187ULS	NG Green		5.000	82.5	3 ¼											0.70
NG 880 J K450 S	11185ULS				114.3	4 ½											0.83

LF 879 J K325	11506UL	LF Brown	PPM	2.800	82.5	3 ¼	4.8	457	44.5	41.3	0.67						
LF 879 J K450	11507UL				114.3	4 ½						0.78					
NG 879 J K325	11193UL	NG Green		2.200	82.5	3 ¼						0.67					
NG 879 J K450	11194UL				114.3	4 ½						0.78					
LF 879 J K325 S	11506ULS	LF Brown	SPM	6.000	82.5	3 ¼						4.8	457	44.5	41.3	0.70	
LF 879 J K450 S	11507ULS				114.3	4 ½											0.83
NG 879 J K325 S	11193ULS	NG Green		5.000	82.5	3 ¼											0.70
NG 879 J K450 S	11194ULS				114.3	4 ½											0.83

Standard length: 80 pitches (10 ft. - 3.048 m)

Breaking Load according to Standard ISO 4348 - DIN 8153



"NOLU-S" CURVES
ARE STRONGLY RECOMMENDED
WITH THESE CHAINS!

Note:
 The 879 TAB series has a thicker top plate (4.8 mm) giving much more wear life. It also simplifies conveyor design when matching chains from the series 821, 831, 8257 and 882.

On request and for adequate quantities these chains can be produced in:

AR	D	AS	CR	HT
Abrasion Resistance	Grey Acetal Resin	Anti-static Acetal Resin	Chemical Resistance	High Temperature Resistance

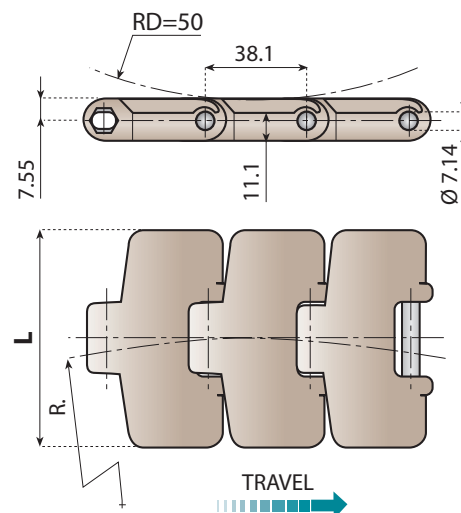
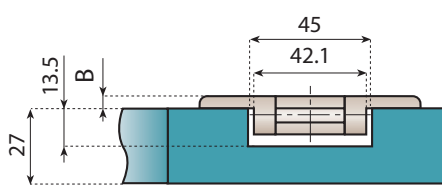
Pin material: Austenitic Steel



Chain - Ref.	Code	Material plate	Breaking load N	Width L		B Thickness mm	R min.	Weight Kg/m				
				mm	inch							
LF 880 TAB K325	11377	LF Brown	6.000	82.5	3 ¼	4	500	0.94				
LF 880 TAB K330	11259			83.8	3 1/64			0.96				
LF 880 TAB K350	11190			88.9	3 ½			1.01				
LF 880 TAB K450	11380			114.3	4 ½			1.08				
NG 880 TAB K325	11195	NG Green	5.000	82.5	3 ¼			4.8	500	0.94		
NG 880 TAB K330	11261			83.8	3 1/64					0.96		
NG 880 TAB K350	11196			88.9	3 ½					1.01		
NG 880 TAB K450	11197			114.3	4 ½					1.08		
LF 879 TAB K325	11377ST	LF Brown	6.000	82.5	3 ¼	4.8	500			0.98		
LF 879 TAB K450	11380ST			114.3	4 ½					1.14		
NG 879 TAB K325	11198	NG Green	5.000	82.5	3 ¼					4.8	500	0.98
NG 879 TAB K450	11199			114.3	4 ½							1.14

Standard length: 80 pitches (10 ft. - 3.048 m)

Breaking Load according to Standard ISO 4348 - DIN 8153



"NOLU-S" CURVES
ARE STRONGLY RECOMMENDED
WITH THESE CHAINS!

Note:

The 879M series has a thicker top plate of 4.8 mm, giving much more wear life. It also simplifies conveyor design when matching chains from the series 821 - 831 - 882 - 8257

Advantages:

- One conveyor construction
- Easy to clean
- Easy maintenance
- Improved wear life
- Hygienic concept

Pin material:

Ferritic Stainless Steel

Characteristics:

Plastic magnetic system chains do not have TAB or BEVEL shoes. The ferritic stainless steel pins are securely retained in position by the magnets located in the upper section of the curve. These chains can be easily removed from the curve for maintenance or cleaning, without dismantling the chain.



Pages 4⇒7



Pages 202⇒220



Page 268



Pages 300⇒301

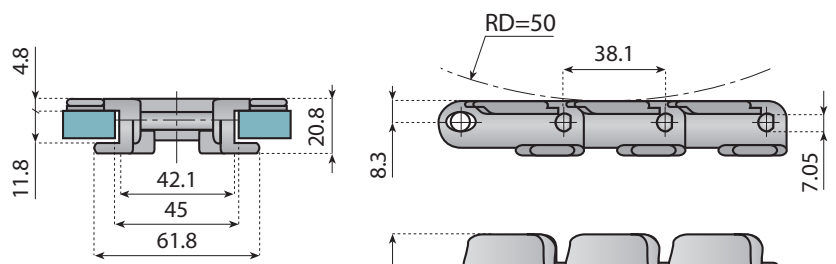
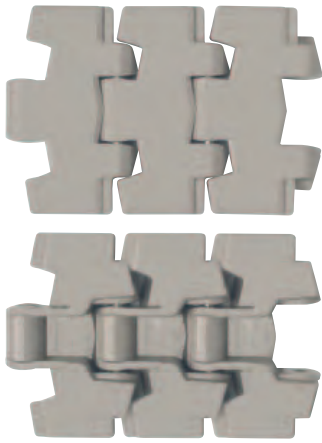


Pages 340⇒343

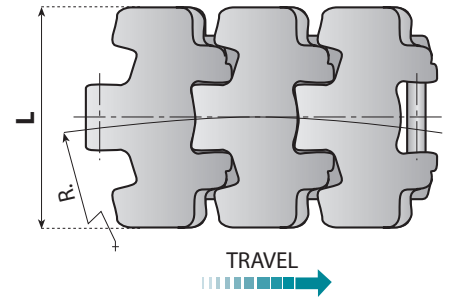
Chain - Ref.	Code	Material plate	Breaking load N	Width L		B Thickness mm	R min.	Weight Kg/m				
				mm	inch							
LF 880 M K325	11377M	LF Brown	5.700	82.5	3 ¼	4	500	1.05				
LF 880 M K330	11222M			83.8	3 1/64			1.08				
LF 880 M K450	11380M			114.3	4 ½			1.15				
LF 880 M K750	11393M			190.5	7 ½			1.50				
NG 880 M K325	11195M	NG Green	5.200	82.5	3 ¼			4.8	500	1.05		
NG 880 M K330	11224M			83.8	3 1/64					1.08		
NG 880 M K450	11197M			114.3	4 ½					1.15		
NG 880 M K750	11420M			190.5	7 ½					1.50		
LF 879 M K325	11395M	LF Brown	5.700	82.5	3 ¼	4.8	500			1.15		
LF 879 M K450	11396M			114.3	4 ½					1.25		
NG 879 M K325	11198M	NG Green	5.200	82.5	3 ¼					4.8	500	1.15
NG 879 M K450	11421M			114.3	4 ½							1.25

Standard length: 80 pitches (10 ft. - 3.048 m)

Breaking Load according to Standard ISO 4348 - DIN 8153



***"NOLU-S" CURVES
ARE STRONGLY RECOMMENDED
WITH THESE CHAINS!***



Advantages:

- Small sideflexing radius R=190 mm
- Tangential engagement.
- Specially shaped flights to improve the contact between the product and chain.
- Small gap between flights to improve product stability.
- Bidirectional.

Characteristics:

The new 878 TAB series enables the designer and the manufacturer of sideflexing conveyors to reduce the radius of the curves. This chain is suitable for solving conveying problems in confined spaces. Can also be used where products are conveyed on an incline or decline and accumulation may occur. The characteristics of this chain make this product unique in its design.

Pin material: Austenitic Steel.



Pages 4⇒7



Pages 256+261



Pages 265+267



Pages 330⇒333



Pages 300⇒302

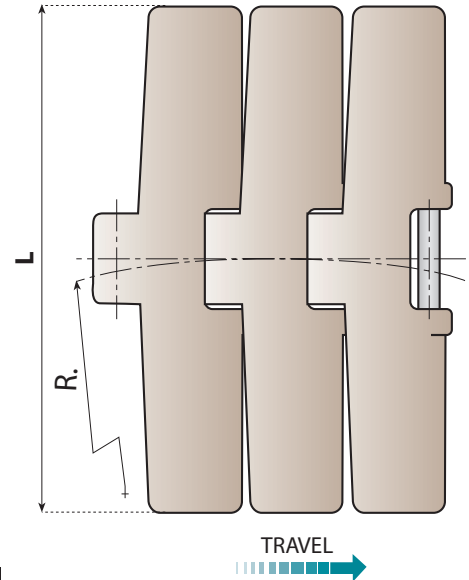
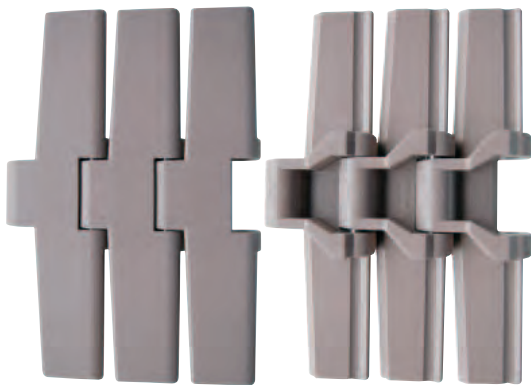
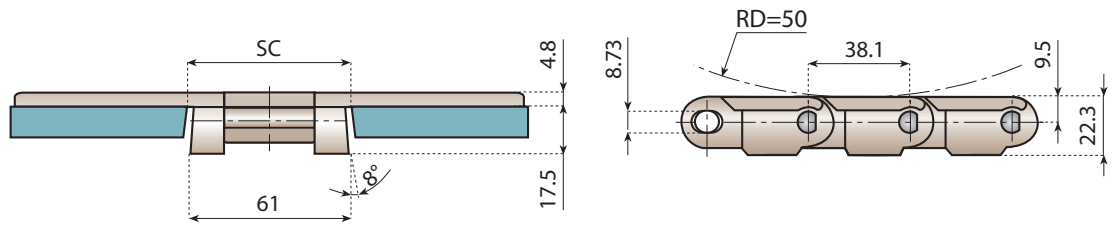


Pages 340⇒343

Chain - Ref.	Code	Material plate	Breaking load N	Width L		R min.	Weight Kg/m
				mm	inch		
LF 878 TAB K325	11390	LF Brown	6.000	82.5	3 ¼	190	1.08
LF 878 TAB K450	11389			114.3	4 ½		1.20

Standard length: 80 pitches (10 ft. - 3.048 m)

Breaking Load according to Standard ISO 4348 - DIN 8153



***"NOLU-S" CURVES
ARE STRONGLY RECOMMENDED
WITH THESE CHAINS!***

Characteristics:

The 882 type has a larger hinge geometry and because of a well balanced distribution of the material it has an excellent carrying load capacity.

Advantages:

- Heavy duty

Pin material: Austenitic Steel.



Pages 4⇨7



Page 258



Page 266



Pages 303⇨304

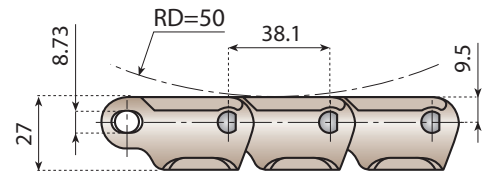
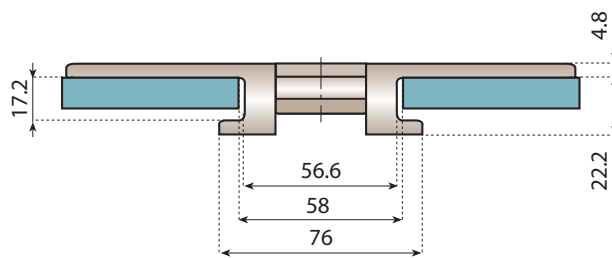


Pages 340⇨343

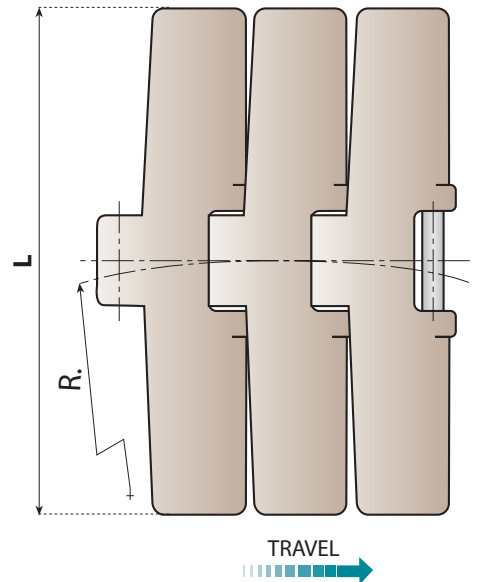
Chain - Ref.	Code	Material plate	Breaking load N	Width L		R min.	SC		Weight Kg/m
				mm	inch		Straight	Curving	
LF 882 K450	11459	LF Brown	10.000	114.3	4 ½	610	62	58	1.94
LF 882 K750	11460			190.5	7 ½				2.38
LF 882 K1000	11461			254.0	10				2.83
NG 882 K450	11480	NG Green	9.000	114.3	4 ½	610	62	58	1.94
NG 882 K750	11481			190.5	7 ½				2.38
NG 882 K1000	11482			254.0	10				2.83

Standard length: 80 pitches (10 ft. - 3.048 m)

Breaking Load according to Standard ISO 4348 - DIN 8153



"NOLU-S" CURVES
ARE STRONGLY RECOMMENDED
WITH THESE CHAINS!



Characteristics:

The 882 TAB type has a larger pin size hinge geometry and because of a well balanced distribution of the material it has an excellent carrying load capacity.

The standard widths are produced up to 304.8 mm (12") making it compatible with the 821 series and offering the largest conveying area in the flat top chain products.

Advantages:

- Heavy duty

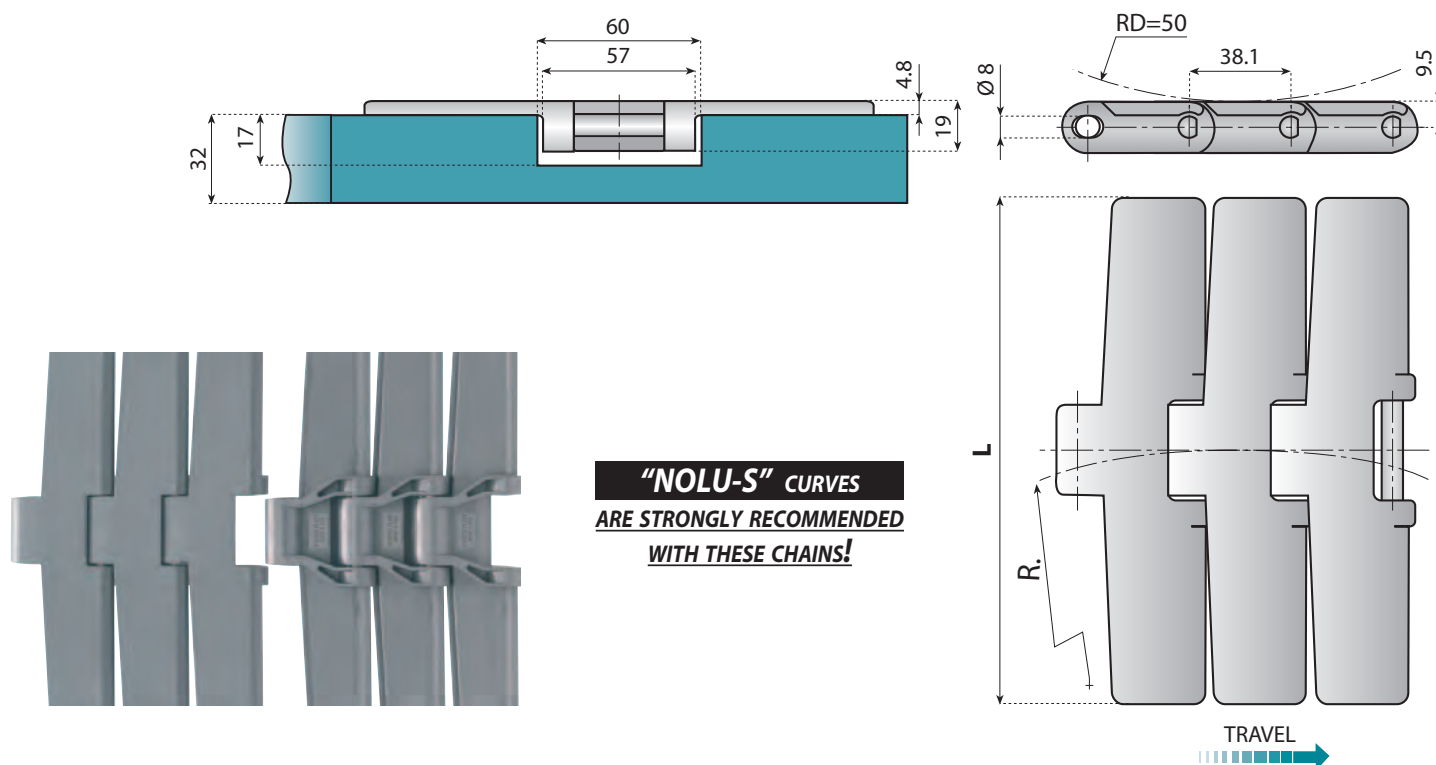
Pin material: Austenitic Steel.



Chain - Ref.	Code	Material plate	Breaking load N	Width L		R min.	Weight Kg/m
				mm	inch		
LF 882 TAB K450	11040	LF Brown	10.000	114.3	4 ½	610	2.03
LF 882 TAB K750	11041			190.5	7 ½		2.46
LF 882 TAB K1000	11042			254.0	10		2.87
LF 882 TAB K1200	11043			304.8	12		3.41
NG 882 TAB K450	11483	NG Green	9.000	114.3	4 ½		2.03
NG 882 TAB K750	11484			190.5	7 ½		2.46
NG 882 TAB K1000	11485			254.0	10		2.87
NG 882 TAB K1200	11486			304.8	12		3.41

Standard length: 80 pitches (10 ft. - 3.048 m)

Breaking Load according to Standard ISO 4348 - DIN 8153



**“NOLU-S” CURVES
ARE STRONGLY RECOMMENDED
WITH THESE CHAINS!**

Characteristics:

Plastic magnetic system chains do not have TAB or BEVEL shoes. The Ferritic Stainless Steel pins are securely retained in position by the magnets located in the upper section of the curve. These chains can be easily removed from the curve for maintenance or cleaning, without dismantling the chain.

Advantages:

- One conveyor construction
- Heavy duty
- Exceptionally flat surface
- Hygienic concept
- Easy maintenance
- Easy to clean
- Same hinge width available in many chain types, both steel and plastic, also LBP chains and rubber top chains

Pin material: Ferritic Stainless Steel



Chain - Ref.	Code	Material plate	Breaking load N	Width L		R min.	Weight Kg/m
				mm	inch		
LF 882 M K750	11487	LF Brown	10.000	190.5	7 ½	610	2.15
LF 882 M K1000	11488			254.0	10		2.45
LF 882 M K1200	11489			304.8	12		2.70
LFG 882 M K750	11490	LFG Dark Grey	10.000	190.5	7 ½		2.15
LFG 882 M K1000	11491			254.0	10		2.45
LFG 882 M K1200	11492			304.8	12		2.70
NG 882 M K750	11493	NG Green	9.000	190.5	7 ½		2.15
NG 882 M K1000	11494			254.0	10		2.45
NG 882 M K1200	11495			304.8	12		2.70

Standard length: 80 pitches (10 ft. - 3.048 m)

Breaking Load according to Standard ISO 4348 - DIN 8153

STRAIGHT RUNNING CHAINS with low noise accumulation rollers

Series

[LBP 821 - LBP 8257 - LBP 831](#)

Pages

[46 → 48](#)

SIDEFLEXING CHAINS with low noise accumulation rollers

Series

[LBP 878 TAB - LBP 879 M](#)

Pages

[LBP 882 TAB - LBP 882 M](#)

[49 → 52](#)

APPLICATION:

- **FOOD AND BEVERAGE INDUSTRY PACKAGING LINE
(PET BOTTLE PACKS AND CANS IN HEAT SHRINK FILM)**
- **GENERAL PURPOSE CONVEYING APPLICATIONS TO
REDUCE PRESSURE CREATED BETWEEN PRODUCT AND
FLIGHT SURFACE.**

CHARACTERISTICS:

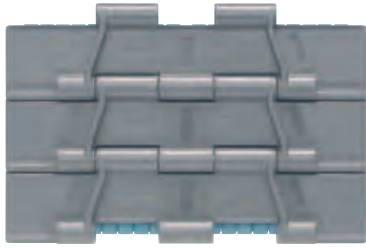
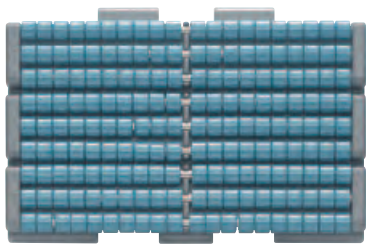
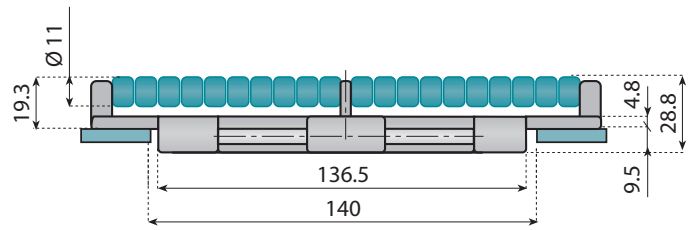
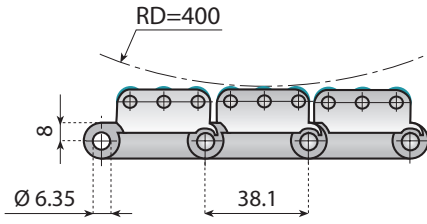
**THIS SERIES OF THERMOPLASTIC CHAINS IS THE SOLUTION
TO REDUCE ACCUMULATION PRESSURE.**

**SMALL WIDTH ROLLERS PROVIDE A STABLE CONVEYING
SURFACE AND ENABLE THE PRODUCT TO BE HANDLED
WITHOUT DAMAGE, HOWEVER THE CHAIN STILL PROVIDES A
POSITIVE FORWARD MOTION.**

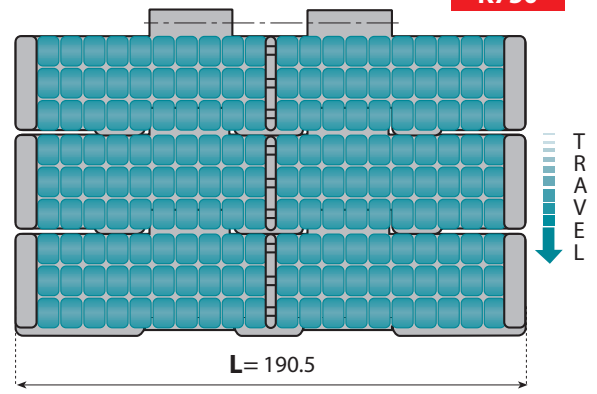
LOW NOISE ROLLERS

**THESE CHAINS ARE PRODUCED IN
A SILENT VERSION WITH REDUCED
BACKLINE PRESSURE**

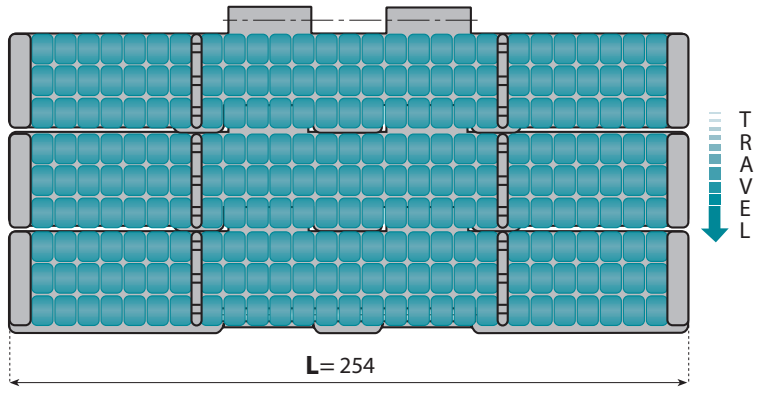




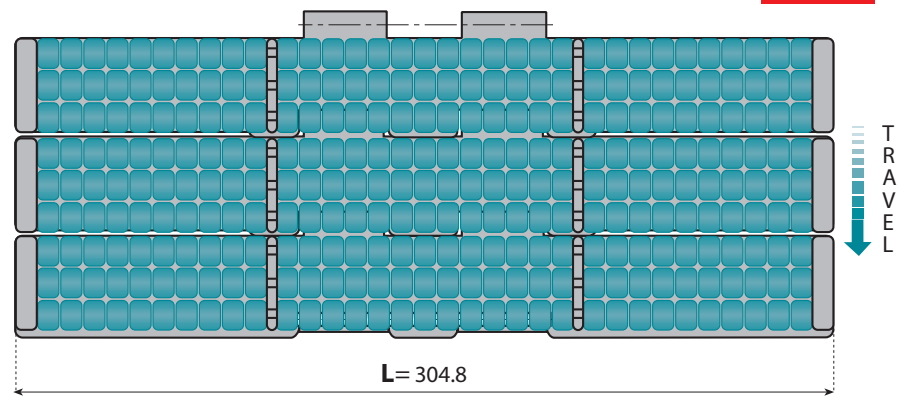
K750



K1000



K1200



Advantages:

- High breaking load
- Rollers manufactured in Low Friction and low noise material: reduced back-line pressure and low noise level

Pin material: Austenitic Steel



Pages 4⇒7



Pages 297⇒299



Pages 340⇒343

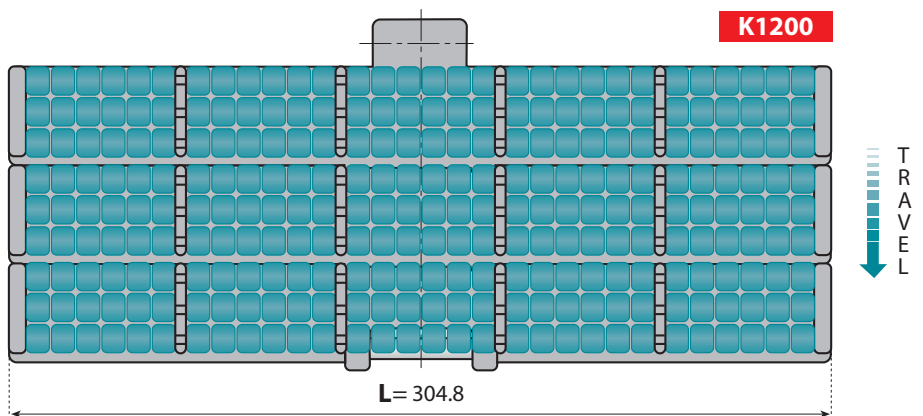
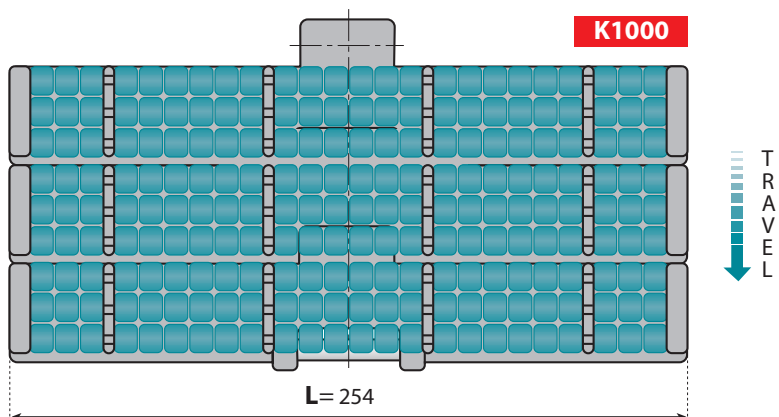
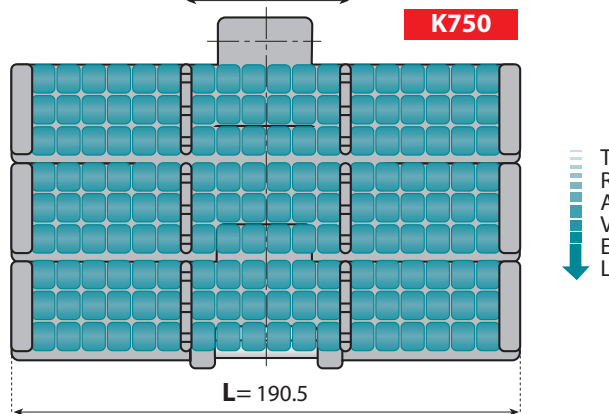
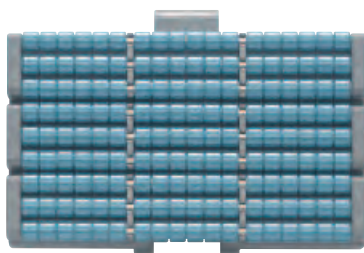
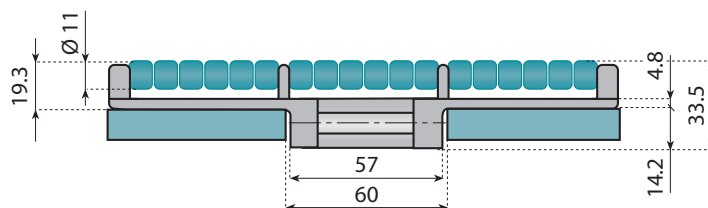
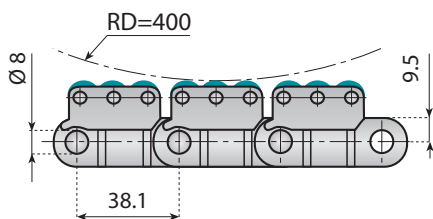
Chain - Ref.	Code	Material		Breaking load N	Width L		Weight Kg/m
		Plate	Roller		mm	inch	
LBP 821 K750	11055	LFG Dark Grey	Water blue	8.300	190.5	7 ½	5.52
LBP 821 K1000	11056				254.0	10	6.90
LBP 821 K1200	11057				304.8	12	8.00

Standard length: 40 pitches (5 ft. - 1.524 m)

Breaking Load according to Standard ISO 4348 - DIN 8153

HEAVY DUTY SINGLE HINGE STRAIGHT RUNNING CHAINS WITH LOW NOISE ACCUMULATION ROLLERS

LBP 8257



Advantages:

- High breaking load
- Rollers manufactured in Low Friction and low noise material: reduced back-line pressure and low noise level
- Helps standardising your conveyor constructions
- Same hinge width available in many chain types, both steel and plastic, also Flat Top and rubber top chains

Pin material: Austenitic Steel



Pages 4⇒7



Pages 303⇒304



Pages 340⇒343

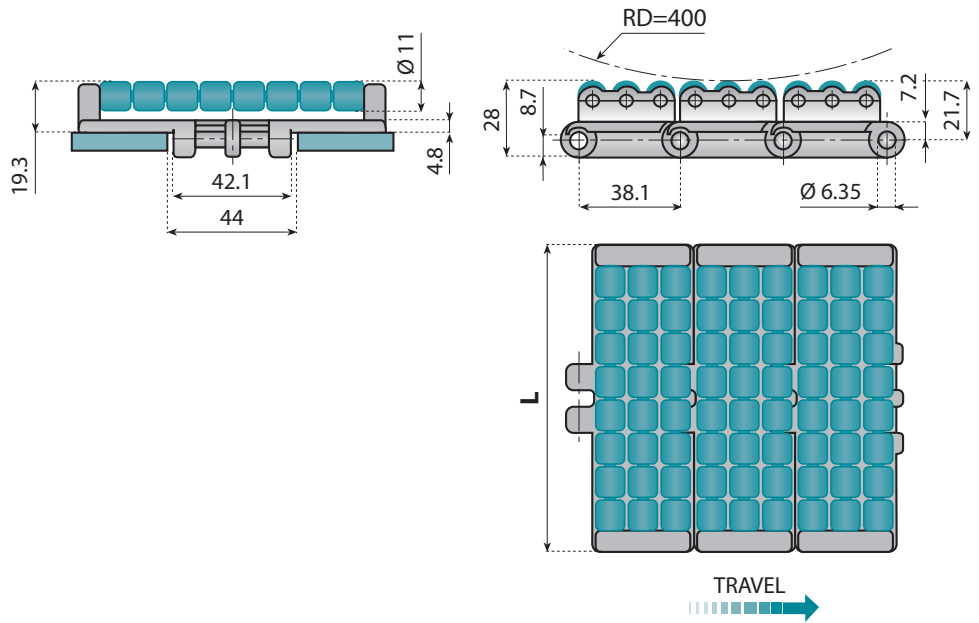
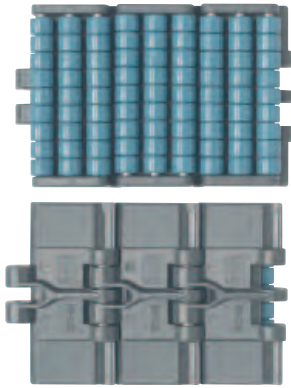
Chain - Ref.	Code	Material		Breaking load N	Width L		Weight Kg/m
		Plate	Roller		mm	inch	
LBP 8257 K750	11076	LFG Dark Grey	Water blue	10.000	190.5	7 ½	5.65
LBP 8257 K1000	11077				254.0	10	7.20
LBP 8257 K1200	11078				304.8	12	8.10

Standard length: 40 pitches (5 ft. - 1.524 m)

Breaking Load according to Standard ISO 4348 - DIN 8153

LBP 831

SINGLE HINGE STRAIGHT RUNNING CHAINS WITH LOW NOISE ACCUMULATION ROLLERS



Advantages:

- Rollers manufactured in Low Friction and low noise material: reduced back-line pressure and low noise level

Pin material: Austenitic Steel



Pages
4⇒7



Pages
293⇒296



Pages
340⇒343

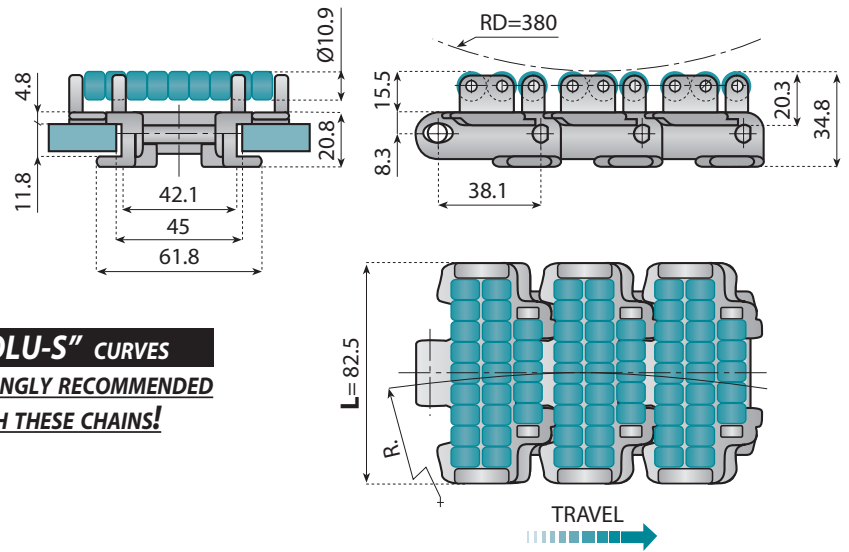
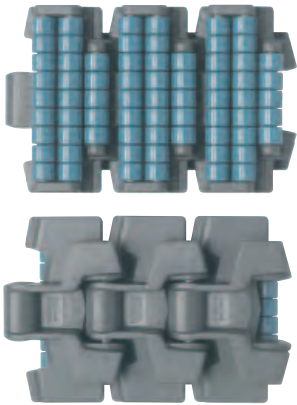
Chain - Ref.	Code	Material		Breaking load N	Width L		Weight Kg/m
		Plate	Roller		mm	inch	
LBP 831 K325	11053	LFG Dark Grey	Water blue	5.000	82.5	3 ¼	2.15
LBP831 K450	11054				114.3	4 ½	2.85

Standard length: 40 pitches (5 ft. - 1.524 m)

Breaking Load according to Standard ISO 4348 - DIN 8153

SIDEFLEXING CHAINS WITH LOW NOISE ACCUMULATION ROLLERS

LBP 878 TAB



"NOLU-S" CURVES
ARE STRONGLY RECOMMENDED
WITH THESE CHAINS!

Advantages:

- Rollers manufactured in Low Friction and low noise material: reduced back-line pressure and quiet running.
- Small sideflexing radius 200 mm

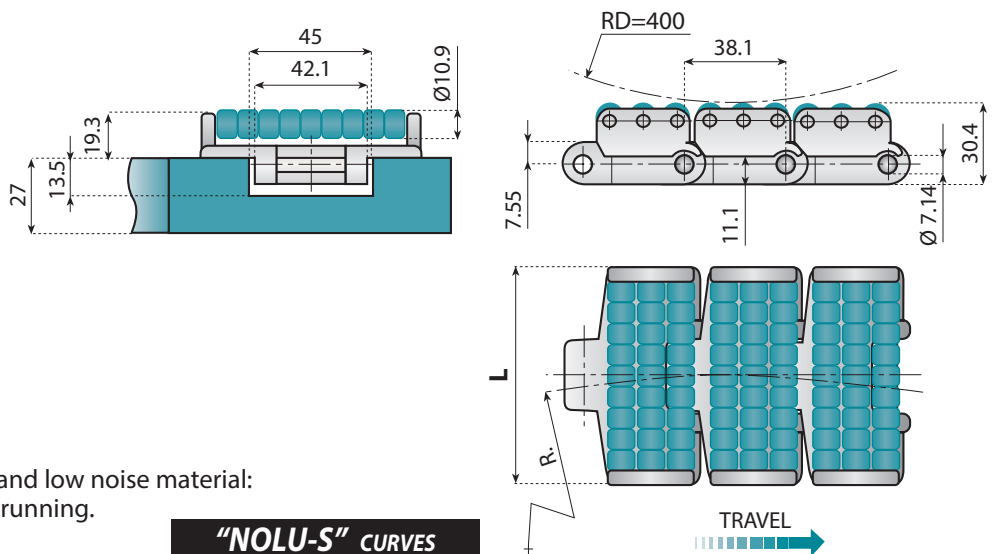
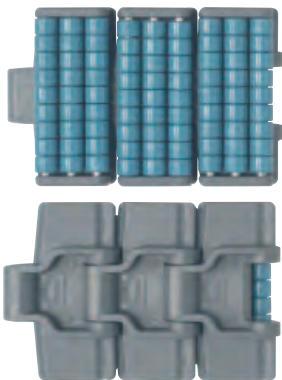
Pin material: Austenitic Steel



Chain - Ref.	Code	Material		Breaking load N	Width L		R min.	Weight Kg/m
		Plate	Roller		mm	inch		
LBP 878 TAB K325	11388	LFG Dark Grey	Water blue	6.000	82.5	3 ¼	200	3.20

SIDEFLEXING CHAINS FOR MAGNETIC SYSTEM WITH LOW NOISE ACCUMULATION ROLLERS

LBP 879 M



"NOLU-S" CURVES
ARE STRONGLY RECOMMENDED
WITH THESE CHAINS!

Advantages:

- High ultimate load
- Rollers manufactured in Low Friction and low noise material: reduced back-line pressure and quiet running.
- One conveyor construction
- Easy to clean
- Easy maintenance

Note:

Plastic magnetic system chains do not have tabs or bevels, it is the Stainless Steel pin in the chain which is attracted by the magnets embedded in the curve.

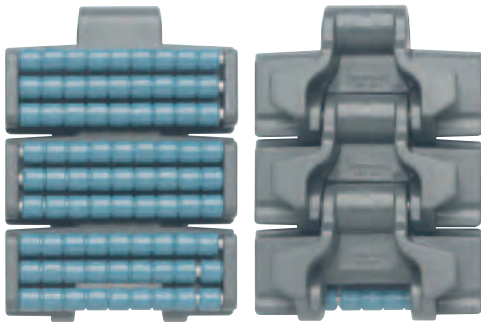
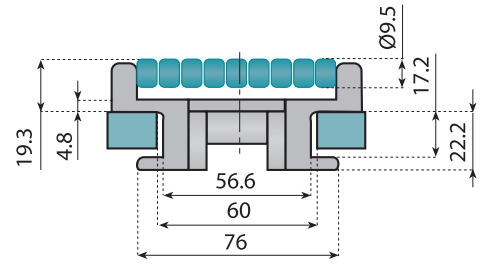
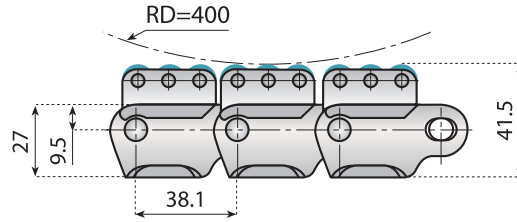
Pin material: Ferritic Stainless Steel



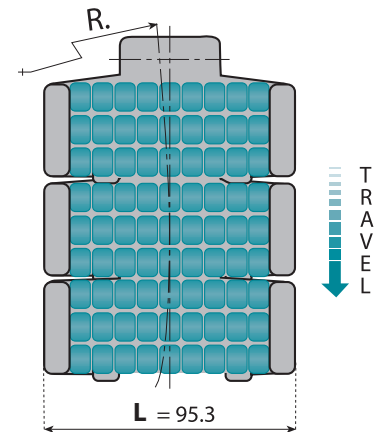
Chain - Ref.	Code	Material		Breaking load N	Width L		R min.	Weight Kg/m
		Plate	Roller		mm	inch		
LBP 879 M K325	11067	LFG Dark Grey	Water blue	5.700	82.5	3 ¼	500	2.30

Standard length: 40 pitches (5 ft. - 1.524 m)

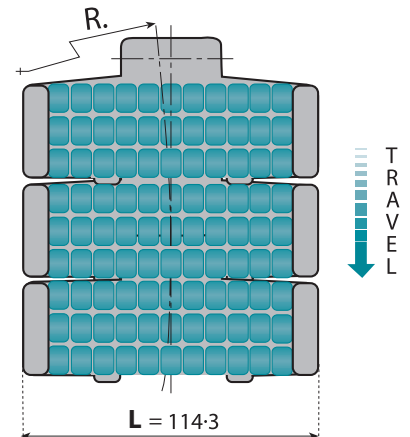
Breaking Load according to Standard ISO 4348 - DIN 8153



K375



K450



"NOLU-S" CURVES
ARE STRONGLY RECOMMENDED
WITH THESE CHAINS!

Advantages:

- High breaking load
- Rollers manufactured in Low Friction and low noise material: reduced back-line pressure and quiet running.

Pin material: Austenitic Steel



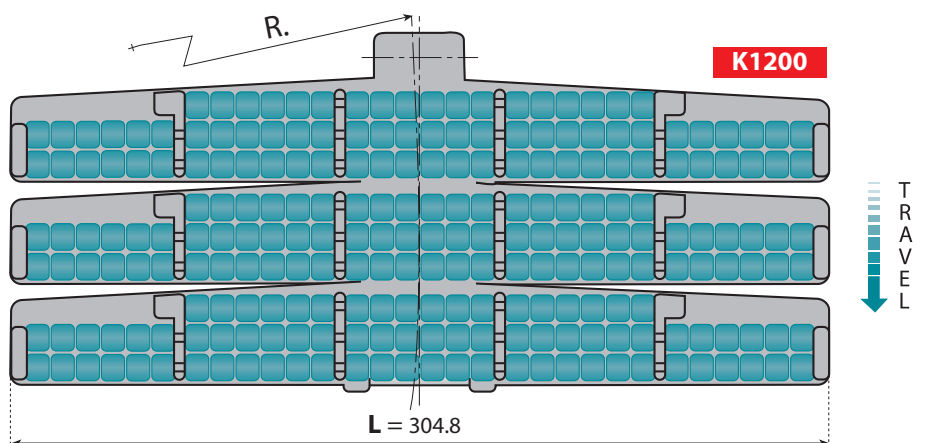
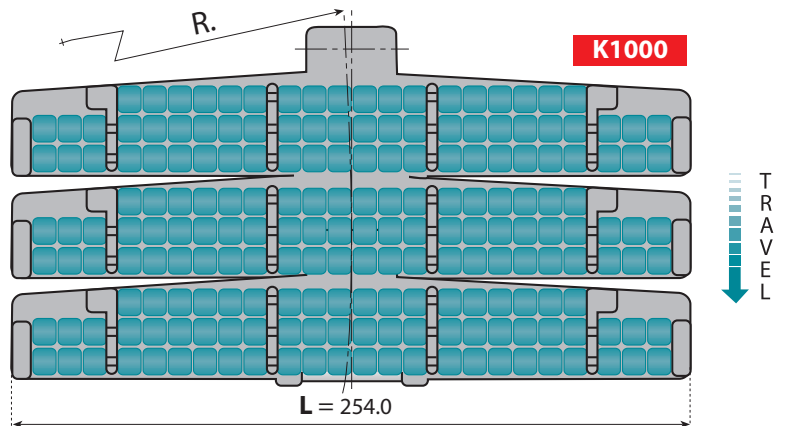
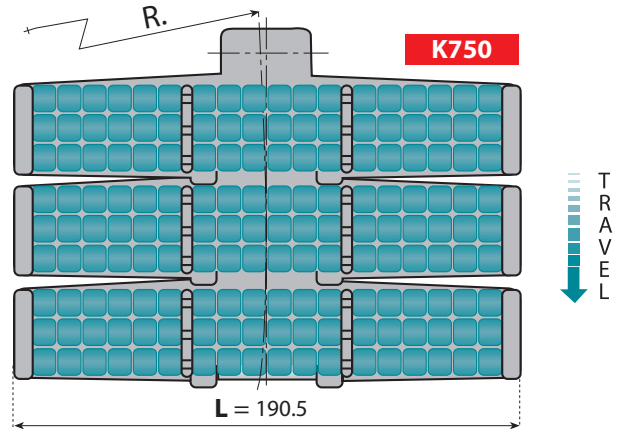
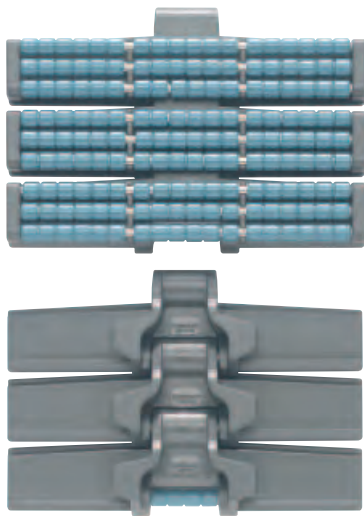
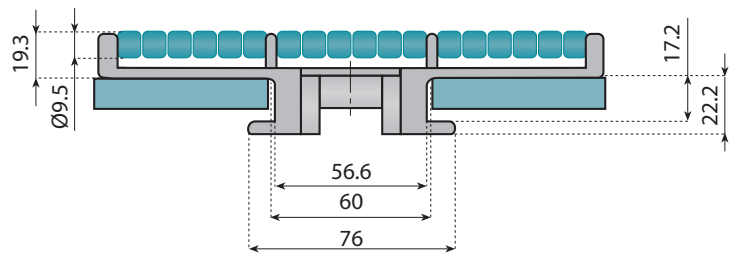
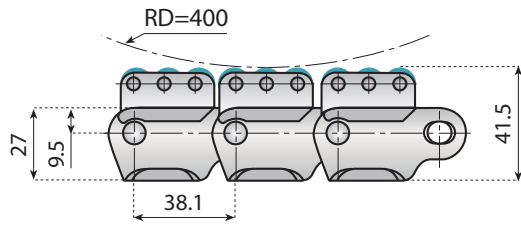
Chain - Ref.	Code	Material		Breaking load N	Width L		R min.	Weight Kg/m
		Plate	Roller		mm	inch		
LBP 882 TAB K375	11070	LFG Dark Grey	Water blue	10.000	95.3	3 ¾	610	3.31
LBP 882 TAB K450	11071				114.3	4 ½		4.03

Standard length: 40 pitches (5 ft. - 1.524 m)

Breaking Load according to Standard ISO 4348 - DIN 8153

SIDEFLEXING CHAINS WITH LOW NOISE ACCUMULATION ROLLERS

LBP 882 TAB



Advantages:

- High breaking load
- Rollers manufactured in Low Friction and low noise material: reduced back-line pressure and quiet running.

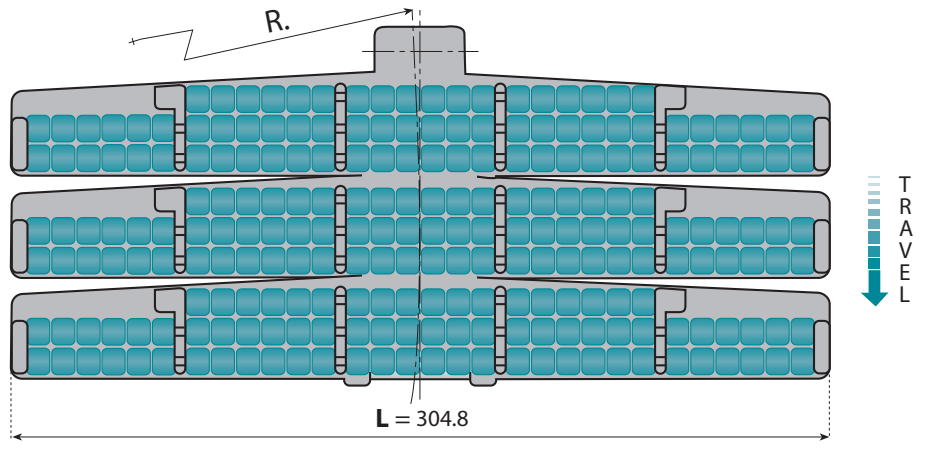
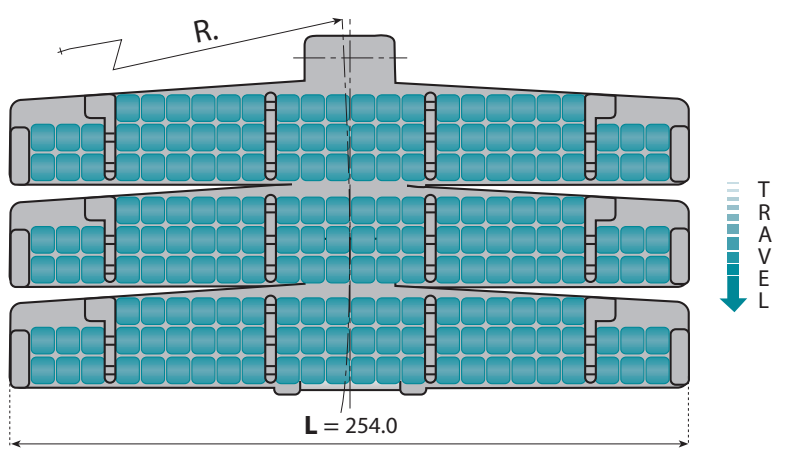
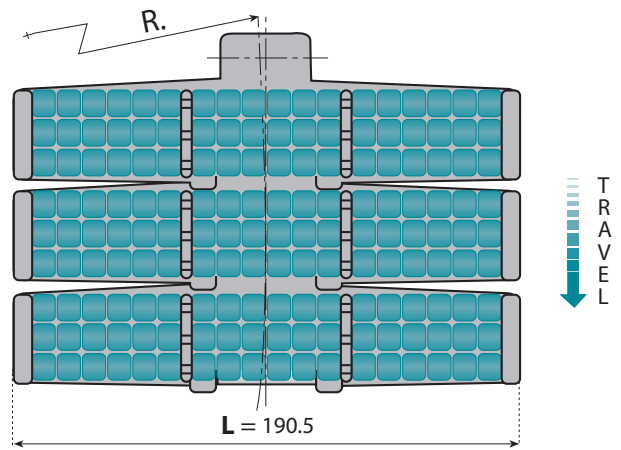
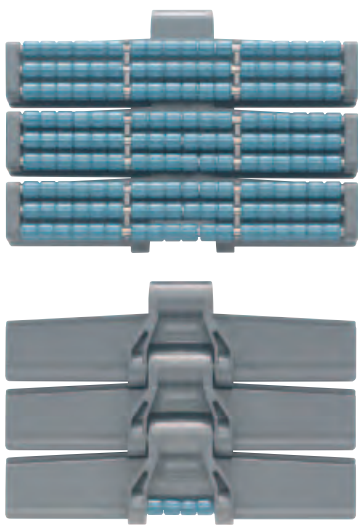
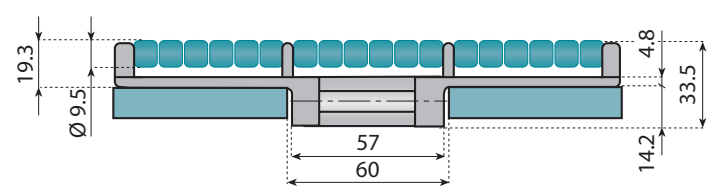
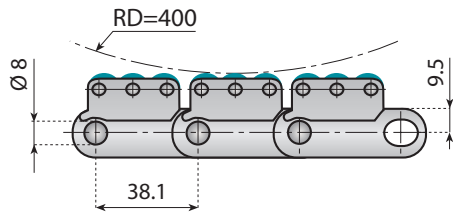
Pin material: Austenitic Steel



Chain - Ref.	Code	Material		Breaking load N	Width L		R min.	Weight Kg/m
		Plate	Roller		mm	inch		
LBP 882 TAB K750	11072	LFG Dark Grey	Water blue	10.000	190.5	7 1/2	610	4.70
LBP 882 TAB K1000	11069				254.0	10		5.90
LBP 882 TAB K1200	11068				304.8	12		6.50

Standard length: 40 pitches (5 ft. - 1.524 m)

Breaking Load according to Standard ISO 4348 - DIN 8153



Advantages:

- High breaking load
- Rollers manufactured in Low Friction and low noise material: reduced back-line pressure and quiet running.
- A pin roller support has been added to maintain a flat and consistent carrying surface. (10" - 12" width only).
- One conveyor construction
- Easy to clean
- Easy maintenance
- Same hinge width available in many chain types, both steel and plastic, also Flat Top and rubber top chains

Note:

Plastic magnetic system chains do not have tabs or bevels, it is the Stainless Steel pin in the chain which is attracted by the magnets embedded in the curve.

Pin material: Ferritic Stainless Steel



Chain - Ref.	Code	Material		Breaking load N	Width L		R min.	Weight Kg/m
		Plate	Roller		mm	inch		
LBP 882 M K750	11073	LFG Dark Grey	Water blue	10.000	190.5	7 1/2	610	3.90
LBP 882 M K1000	11074				254.0	10		4.95
LBP 882 M K1200	11075				304.8	12		5.85

Standard length: 40 pitches (5 ft. - 1.524 m)

Breaking Load according to Standard ISO 4348 - DIN 8153

STRAIGHT RUNNING PLASTIC CHAINS with friction surface

Series

[831 VG - 821 VG - 8257 VG](#)

Pages

[54 → 55](#)

SIDEFLEXING PLASTIC CHAINS with high friction surface

Series

[878 TAB VG - 879 TAB VG - 879 M VG](#)

[882 TAB VG - 882 M VG - 1873 VG](#)

Pages

[56 → 59](#)

APPLICATION:

FOOD AND BEVERAGE INDUSTRY:

**PACKAGING LINES WITH INCLINED AND DECLINED
CONVEYORS (TRAYS, PET BOTTLE PACKS IN HEAT SHRINK
FILM, CANS IN HEAT SHRINK FILM)**

GENERAL APPLICATION:

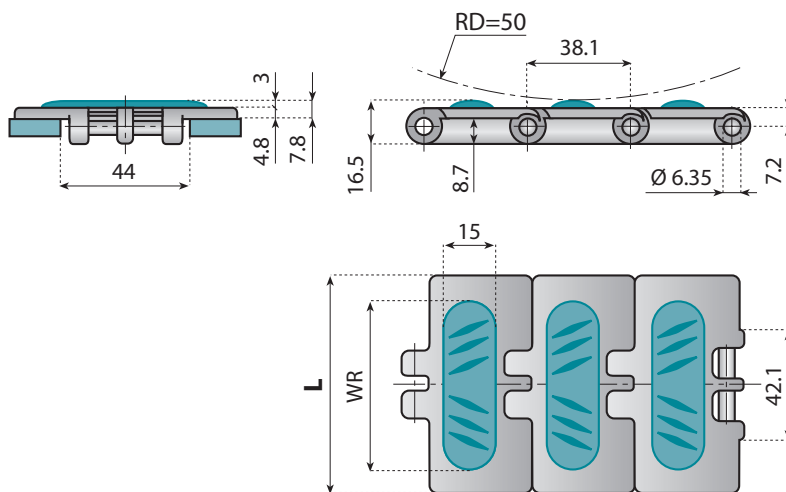
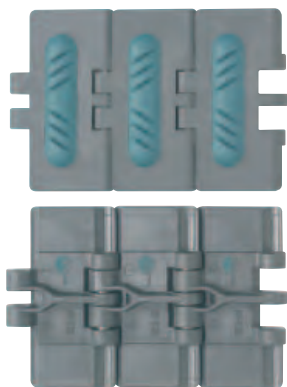
**INCLINED AND DECLINED CONVEYORS FOR BOXES,
BAGS, CRATES.**

ALL OUR HIGH FRICTION CHAINS OFFER:

- **LONG WEARLIFE**
- **LOW ENERGY CONSUMPTION**
- **HIGH FRICTION PAD. INCLINES UP TO 20° ARE POSSIBLE**
- **EASY TO CLEAN DESIGN**

**SPECIAL CONFIGURATIONS ON REQUEST
INDICATE THE DISTANCE BETWEEN THE
RUBBER PADS AT THE TIME OF ORDERING**

831 VG STRAIGHT RUNNING CHAINS SINGLE HINGE WITH HIGH FRICTION SURFACE



Characteristics:

For 831 VG K325 chains a roller return track is required as the friction pad extends across the full width of the plate.

Pin material: Austenitic Steel



Pages
4⇒7



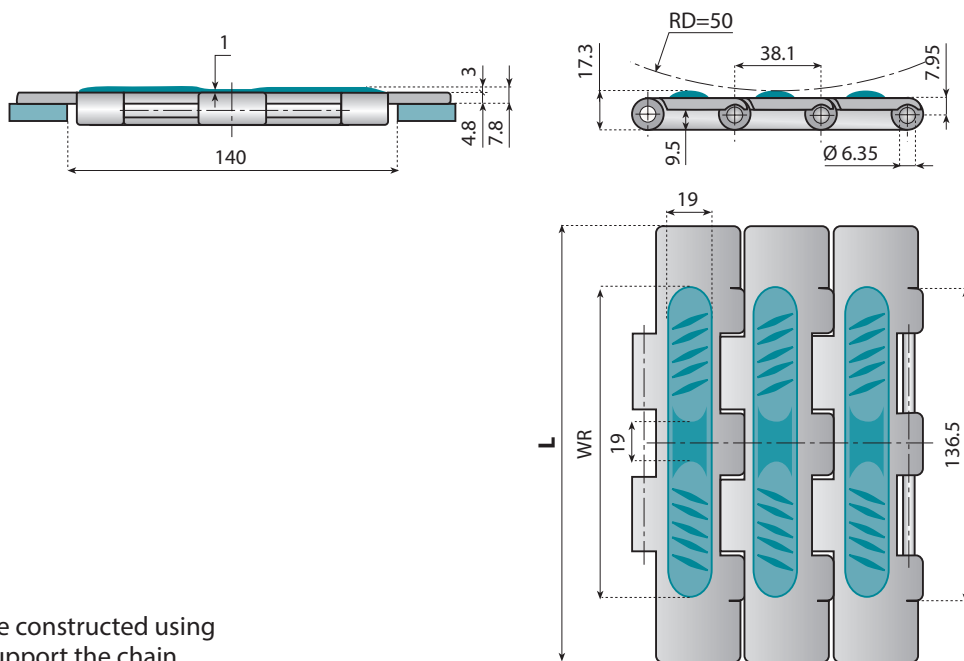
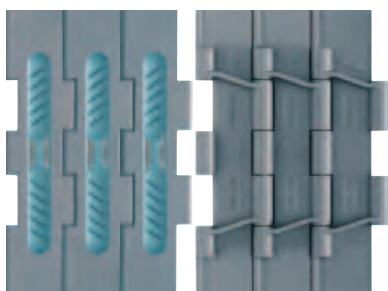
Pages
294⇒296



Pages
340⇒343

Chain - Ref.	Code	Material		Breaking load N	Width L		Width WR		Weight Kg/m
		Plate	Rubber		mm	inch	mm	inch	
NGD 831 K325 VG	11221	NGD Dark Grey	TPR Water blue 70 shore A	4.000	82.5	3 ¼	60	2.36	1.40

821VG STRAIGHT RUNNING CHAINS DOUBLE HINGE WITH HIGH FRICTION SURFACE



Characteristics:

The return section of the conveyor can be constructed using standard wearstrips or return rollers to support the chain on its return.

Advantages:

- High breaking load.
- Heavy duty

Pin material: Austenitic Steel



Pages
4⇒7



Pages
297⇒299



Pages
340⇒343

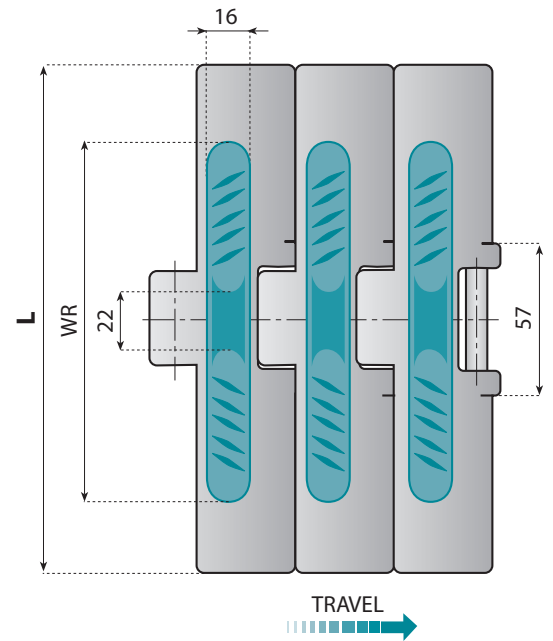
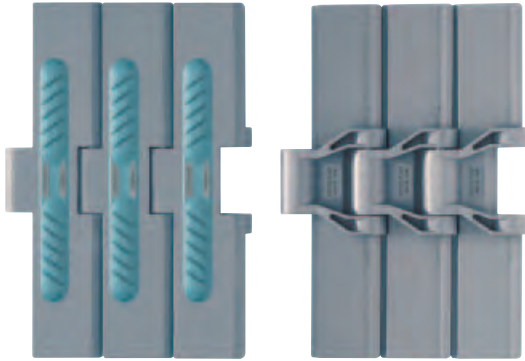
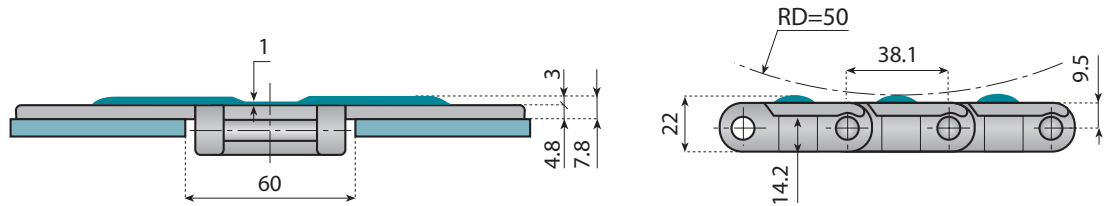
Chain - Ref.	Code	Material		Breaking load N	Width L		Width WR		Weight Kg/m
		Plate	Rubber		mm	inch	mm	inch	
NGD 821 K750 VG	11033	NGD Dark Grey	TPR Water blue 70 shore A	7.800	190.5	7 ½	134	5 ⅙	2.70
NGD 821 K1000 VG	11034				254.0	10	192	7 ½	3.25
NGD 821 K1200 VG	11035				304.8	12	252	10	3.75

Standard length: 80 pitches (10 ft. - 3.048 m)

Breaking Load according to Standard ISO 4348 - DIN 8153

STRAIGHT RUNNING CHAINS HEAVY DUTY SINGLE HINGE WITH HIGH FRICTION SURFACE

8257 VG



Characteristics:

- The return section of the conveyor can be constructed using standard wearstrips or return rollers to support the chain on its return.

Advantages:

- High strength
- Helps standardising your conveyor constructions
- Same hinge width available in many chain types, both steel and plastic, also LBP chains and Flat Top chains

Pin material: Austenitic Steel



Pages 4⇒7



Pages 303⇒304



Pages 340⇒343

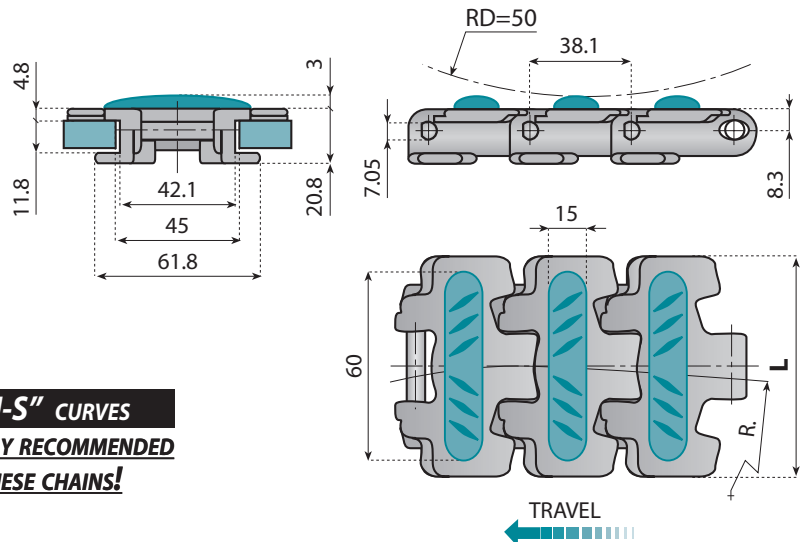
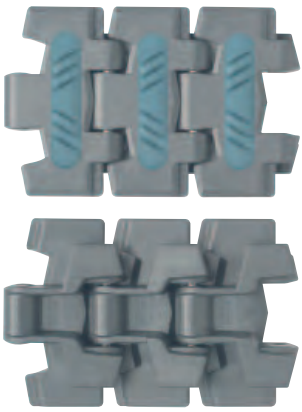
Chain - Ref.	Code	Material		Breaking load N	Width L		Width WR		Weight Kg/m
		Plate	Rubber		mm	inch	mm	inch	
NGD 8257 K450 VG	11086	NGD Dark Grey	TPR Water blue 70 shore A	9.000	114.3	4 ½	90	3 ½	1.95
NGD 8257 K750 VG	11083				190.5	7 ½	134	5 ⅝	2.25
NGD 8257 K1000 VG	11084				254.0	10	192	7 ½	2.60
NGD 8257 K1200 VG	11085				304.8	12	252	10	2.95

Standard length: 80 pitches (10 ft. - 3.048 m)

Breaking Load according to Standard ISO 4348 - DIN 8153

878 TAB VG

SIDEFLEXING CHAINS WITH HINGE FRICTION SURFACE



"NOLU-S" CURVES
ARE STRONGLY RECOMMENDED
WITH THESE CHAINS!

Characteristics:

Turning disks can be used, as the chain is designed to turn around a very small curve radius.

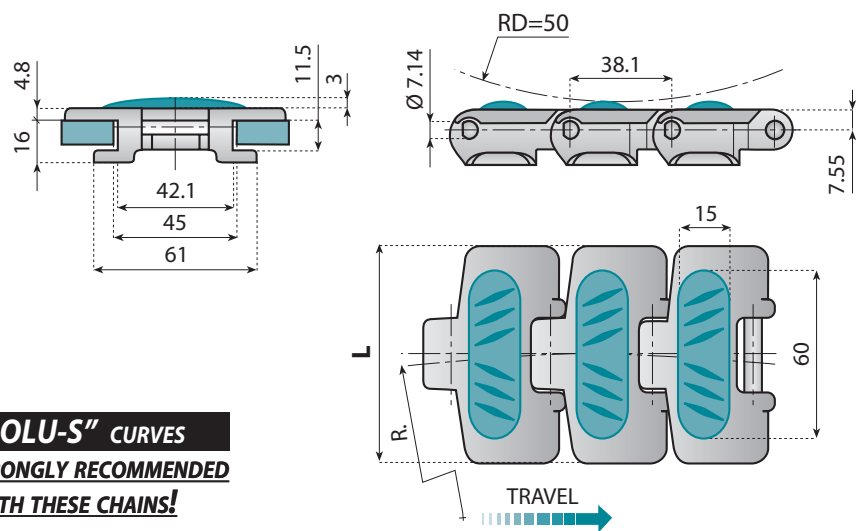
Pin material: Austenitic Steel



Chain - Ref.	Code	Material		Breaking load N	Width L		R min.	Weight Kg/m
		Plate	Rubber		mm	inch		
NGD 878 TAB K325 VG	11391	NGD Dark Grey	TPR Water blue 70 shore A	5.000	82.5	3 ¼	190	0.89

879 TAB VG

SIDEFLEXING CHAINS WITH HINGE FRICTION SURFACE



"NOLU-S" CURVES
ARE STRONGLY RECOMMENDED
WITH THESE CHAINS!

Pin material: Austenitic Steel

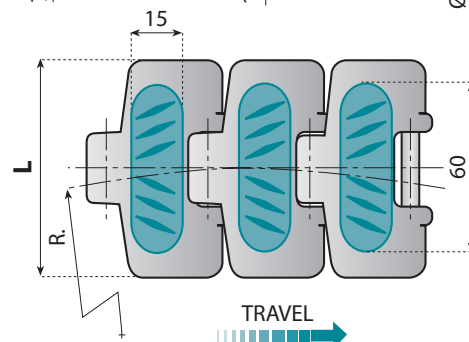
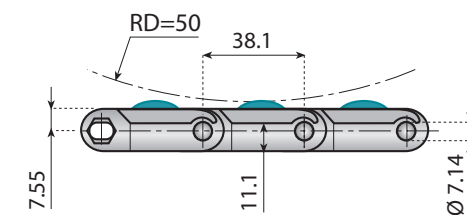
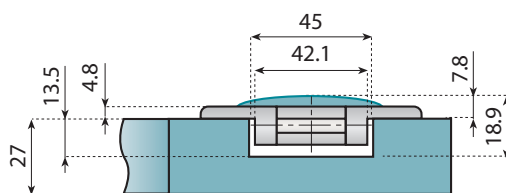


Chain - Ref.	Code	Material		Breaking load N	Width L		R min.	Weight Kg/m
		Plate	Rubber		mm	inch		
NGD 879 TAB K325 VG	11242	NGD Dark Grey	TPR Water blue 70 shore A	5.000	82.5	3 ¼	500	1.40
NGD 879 TAB K325 VG 3	11243							1.25
NGD 879 TAB K325 VG 6	11244							1.10
NGD 879 TAB K450 VG	11245				114.3	4 ½		1.60
NGD 879 TAB K450 VG 3	11246							1.45
NGD 879 TAB K450 VG 6	11247							1.30

Standard length: 80 pitches (10 ft. - 3.048 m)

Breaking Load according to Standard ISO 4348 - DIN 8153

SIDEFLEXING CHAINS FOR MAGNETIC SYSTEM WITH HIGH FRICTION SURFACE 879 M VG



Advantages:

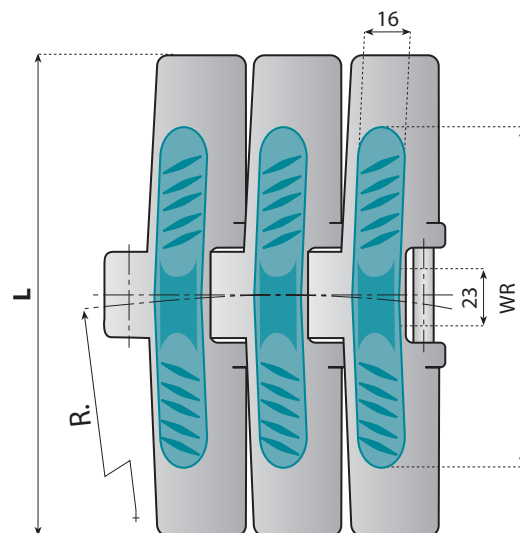
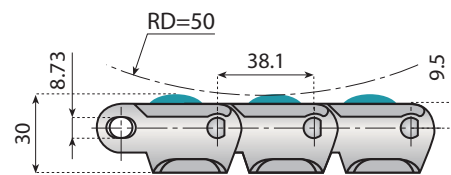
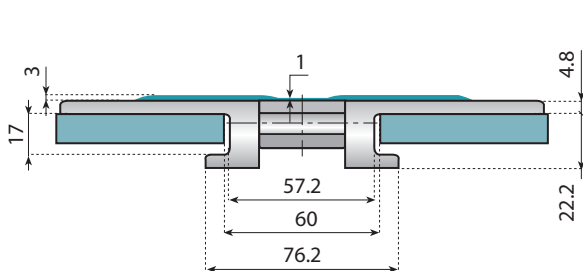
- One conveyor construction
- Easy to clean
- Hygienic concept
- Easy maintenance



Chain - Ref.	Code	Material		Breaking load N	Width L		R mm	Weight Kg/m
		Plate	Rubber		mm	inch.		
NGD 879 M K325 VG	11225	NGD Dark Grey	TPR Water blue 70 shore A	5.200	82.5	3 ¼	500	1.15

SIDEFLEXING CHAINS WITH HIGH FRICTION SURFACE 882 TAB VG

882 TAB VG



Advantages:

- High breaking load
- This chain is particularly suitable where heavier and larger products are conveyed.

Pin material: Austenitic Steel



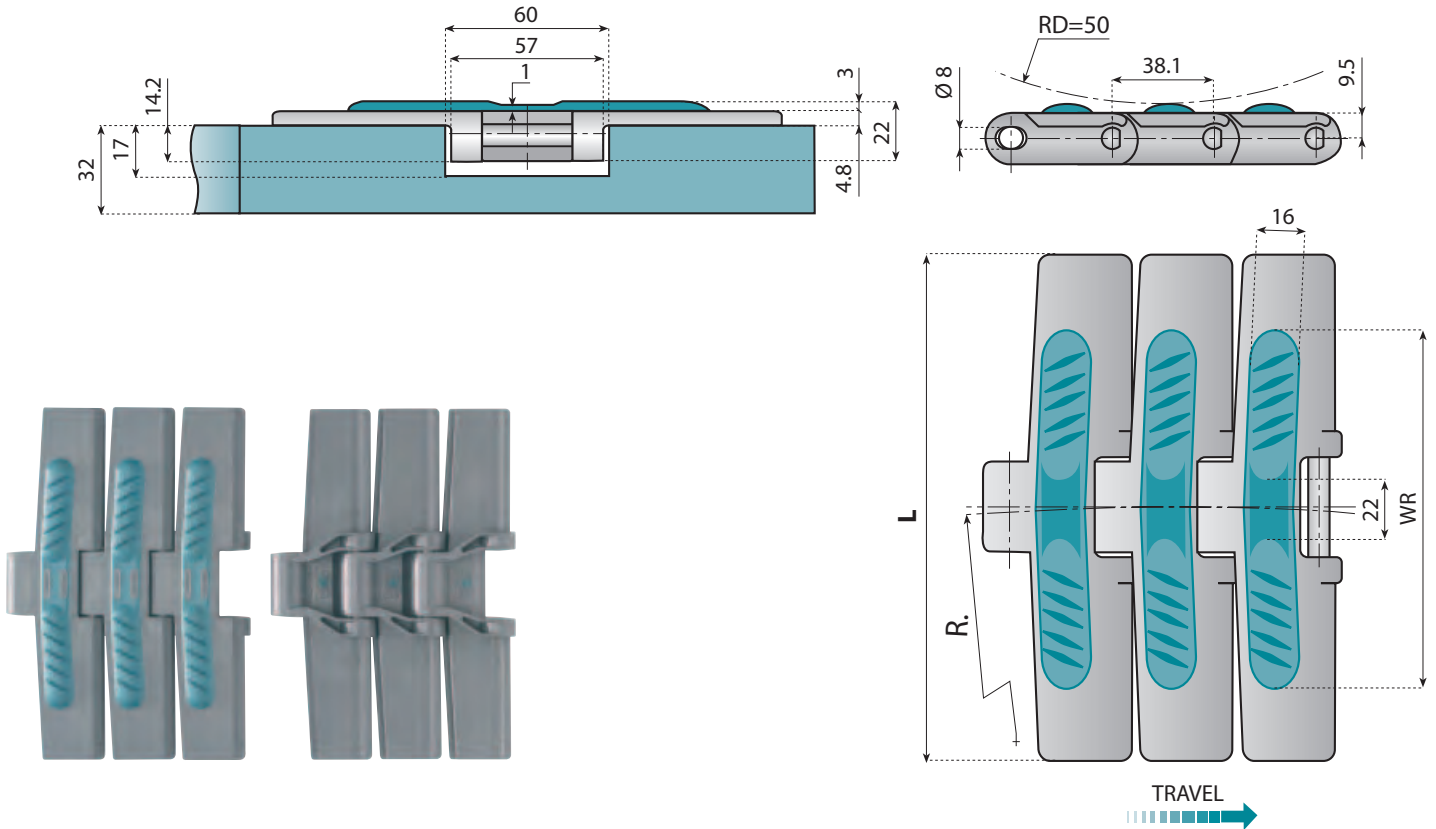
Chain - Ref.	Code	Material		Breaking load N	Width L		Width WR		R min.	Weight Kg/m
		Plate	Rubber		mm	inch	mm	inch		
NGD 882 TAB K750 VG	11093	NGD Dark Grey	TPR Water blue 70 shore A	9.000	190.5	7 ½	134	5 ⅝	610	2.35
NGD 882 TAB K1000 VG	11094				254.0	10	192	7 ½		2.65
NGD 882 TAB K1200 VG	11095				304.8	12	252	10		2.90

Standard length: 80 pitches (10 ft. - 3.048 m)

Breaking Load according to Standard ISO 4348 - DIN 8153

882 M VG

SIDEFLEXING CHAINS FOR MAGNETIC SYSTEM HEAVY DUTY SINGLE HINGE WITH HIGH FRICTION SURFACE



"NOLU-S" CURVES
ARE STRONGLY RECOMMENDED
WITH THESE CHAINS!

Advantages:

- High breaking load
- Helps standardising your conveyor constructions
- Same hinge width available in many chain types, both steel and plastic, also LBP chains and flat top chains

Note:

Plastic magnetic system chains do not have tabs or bevels, it is the Stainless Steel pin in the chain which is attracted by the magnets embedded in the curve.

Pin material: Ferritic Stainless Steel



Chain - Ref.	Code	Material		Breaking load N	Width L		Width WR		R min.	Weight Kg/m
		Plate	Rubber		mm	inch	mm	inch		
NGD 882 M K750 VG	11703	NGD Dark Grey	TPR Water blue 70 shore A	9.000	190.5	7 1/2	134	5 5/16	610	2.10
NGD 882 M K1000 VG	11704				254.0	10	192	7 1/2		2.45
NGD 882 M K1200 VG	11705				304.8	12	252	9 15/16		2.75

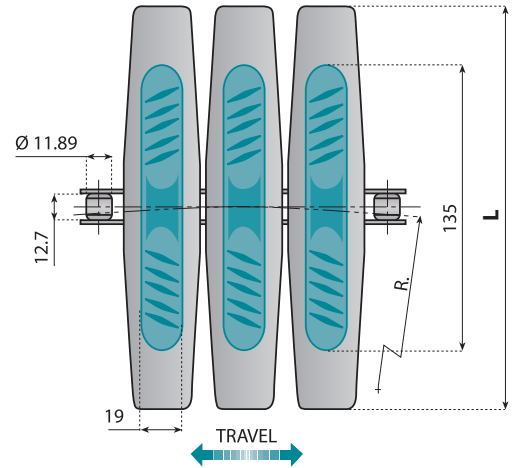
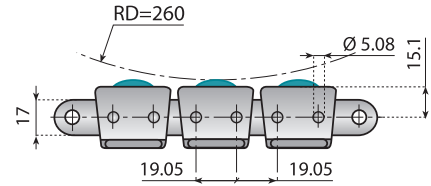
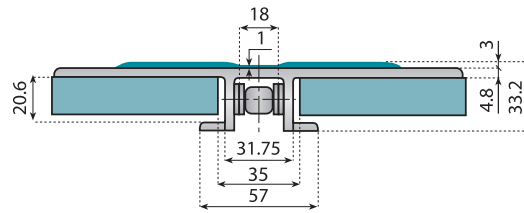
Standard length: 80 pitches (10 ft. - 3.048 m)

Breaking Load according to Standard ISO 4348 - DIN 8153

SIDEFLEXING PLATE TOP CHAINS BASE ROLLER CHAINS 19,05 mm (3/4") PITCH WITH HIGH FRICTION SURFACE

1873 VG

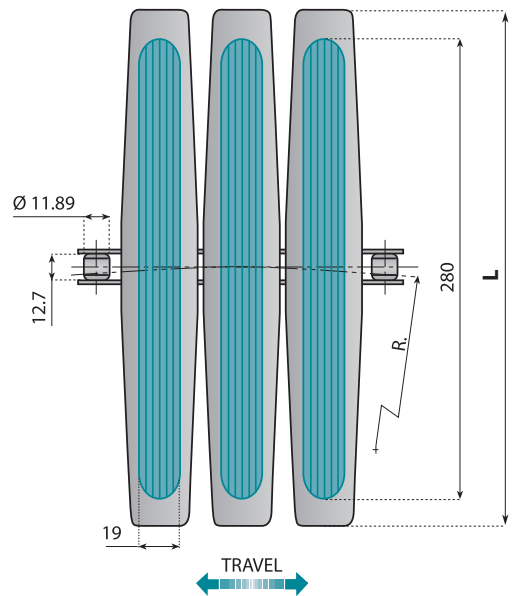
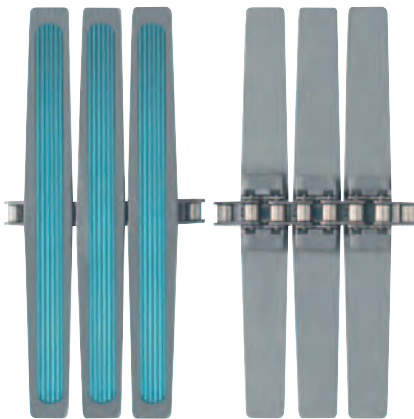
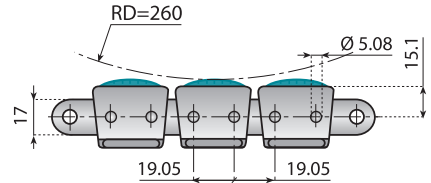
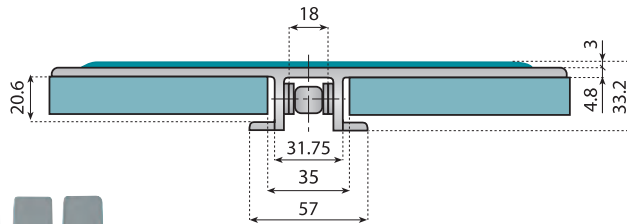
K 750



"NOLU-S" CURVES

**ARE STRONGLY RECOMMENDED
WITH THESE CHAINS!**

K 1200



Advantages:

- High speed
- Very high loads
- Longer conveyors
- Easy maintenance
- Flights removable
- Lower noise
- No chain elongation



Chain - Ref.	Code	Material			Breaking load N	Width L		R min.	Weight Kg/m
		Roller chains	Plate	Rubber		mm	inch		
NGD 1873 K750 VG	11590	C45	NGD Dark Grey	TPR Water blue 70 schore A	27.000	190.5	7 1/2	500	2.6
NGD 1873 SS K750 VG	11591	SS			21.000				
LFG 1873 K1200 VG	11572	C45	LFG Dark Grey		27.000	304.8	12	610	3.8
LFG 1873 SS K1200 VG	11578	SS			21.000				

Standard length: 80 pitches (10 ft. - 3.048 m)

Breaking Load according to Standard ISO 4348 - DIN 8153

PLASTIC SIDEFLEXING GRIPPER CHAINS

Series

[878 TAB GS - 1873 GS](#)

Pages

[62 ▶ 65](#)

STEEL SIDEFLEXING GRIPPER CHAINS

Series

[1874GV](#)

Pages

[66](#)

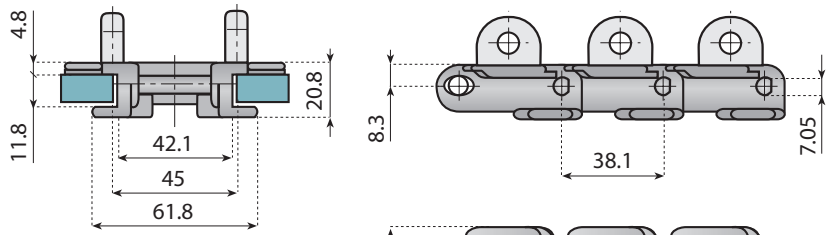
ADVANTAGES:

- **HIGH RESISTANCE TO WEAR AND TEAR**
- **WORKING TEMPERATURE FROM -30°C TO + 120°C**

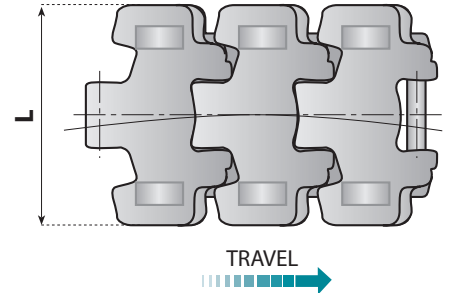
APPLICATION:

ELEVATOR CONVEYORS FOR BOTTLES, CANS AND SMALL BOXES





"NOLU-S" CURVES
ARE STRONGLY RECOMMENDED
WITH THESE CHAINS!



NOW AVAILABLE IN
CHEMICAL RESISTANT
MATERIAL

Advantages:

- Exceptional durability.
- Optimum performance.
- Extremely low noise level.
- Removable gripper.
- Rubber pads with high resistance.

Note:

- Not suitable with oils.



Pages 4⇒7



Pages 256+261



Pages 267



Pages 300⇒302



Pages 340⇒343

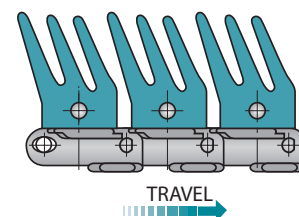
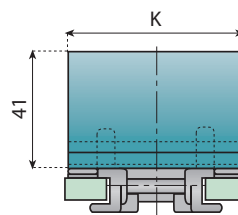
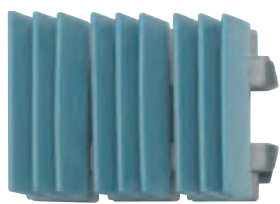
Chain - Ref.	Code	Material	Breaking load N	Width L		Weight Kg/m
				mm	inch	
LFG 878 TAB K325 GS	11387	LFG (Grey)	6.000	82.5	3 ¼	0.90
PP 878 TAB K325 GS	11387CR	PP (Grey)				

Standard length: 80 pitches (10 ft. - 3.048 m)

Breaking Load according to Standard ISO 4348 - DIN 8153

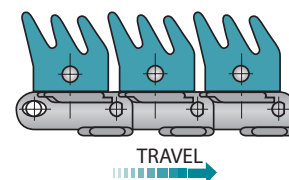
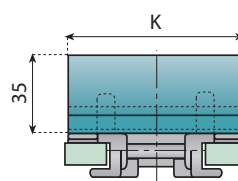
LFG

PP



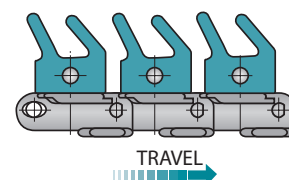
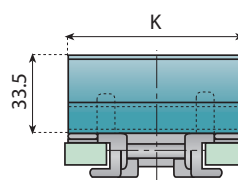
GS 1 LIGHT APPLICATIONS

Chain - Ref.	Code	Kit rubber + pin	Only rubber	K mm	Material		R min.	Weight Kg/m
					Plate	Gripper		
LFG 878 TAB K325 GS1	11407	11736	11740	82	LFG (Grey)	THERMOPLASTIC	210	4.65
PP 878 TAB K325 GS1	11407CR	11736CR	11740CR		PP (Grey)	EPDM - PP (beige)		



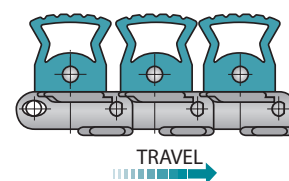
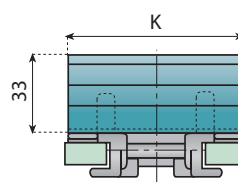
GS 2 HEAVY APPLICATIONS

Chain - Ref.	Code	Kit rubber + pin	Only rubber	K mm	Material		R min.	Weight Kg/m
					Plate	Gripper		
LFG 878 TAB K325 GS2	11408	11737	11742	82	LFG (Grey)	THERMOPLASTIC	225	4.05
PP 878 TAB K325 GS2	11408CR	11737CR	11742CR		PP (Grey)	EPDM - PP (beige)		



GS 3 SPECIAL APPLICATIONS

Chain - Ref.	Code	Kit rubber + pin	Only rubber	K mm	Material		R min.	Weight Kg/m
					Plate	Gripper		
LFG 878 TAB K325 GS3	11409	11738	11744	82	LFG (Grey)	THERMOPLASTIC	220	3.95
PP 878 TAB K325 GS3	11409CR	11738CR	11744CR		PP (Grey)	EPDM - PP (beige)		

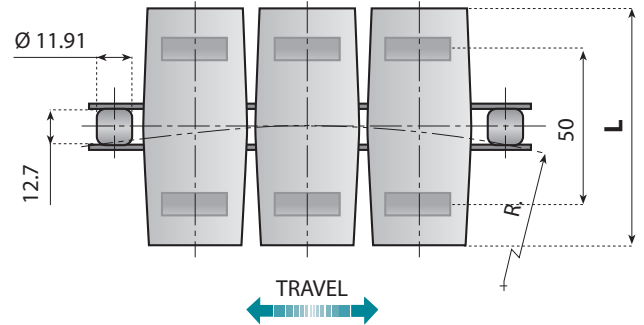
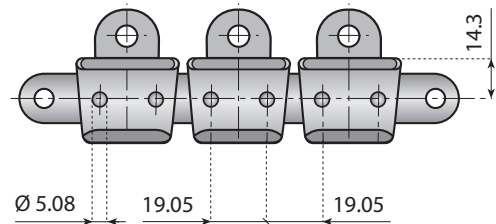
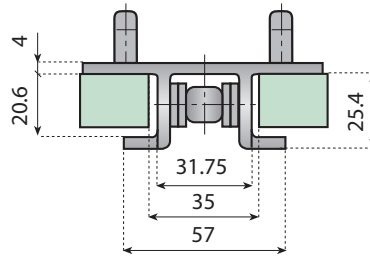


GS 4 SPECIAL APPLICATIONS

Chain - Ref.	Code	Kit rubber + pin	Only rubber	K mm	Material		R min.	Weight Kg/m
					Plate	Gripper		
LFG 878 TAB K325 GS4	11404	11739	11746	82	LFG (Grey)	THERMOPLASTIC	250	4.10
PP 878 TAB K325 GS4	11404CR	11739CR	11746CR		PP (Grey)	EPDM - PP (beige)		

1873 GS

SIDEFLEXING PLASTIC PLATE TOP GRIPPER CHAINS BASE ROLLER CHAINS 19.05 mm (3/4") PITCH



Advantages:

- High wear resistance
- High speeds
- Exceptional durability
- Optimum performance
- Extremely low noise level
- Removable gripper
- Rubber pads with high resistance
- Plastic snap-on links

"NOLU-S" CURVES
ARE STRONGLY RECOMMENDED
WITH THESE CHAINS!

Note:

- Not suitable with oils

NOW AVAILABLE IN
CHEMICAL RESISTANT
MATERIAL



Pages
4⇒7



Page
260



Page
267



Page
308



Pages
340⇒343

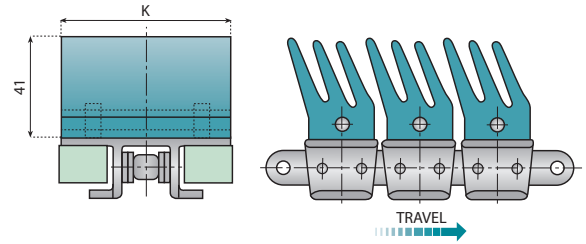
Chain - Ref.	Code	Material		Breaking load N	Width L		R min.	Weight Kg/m
		Roller chain	Plate		mm	inch		
LFG 1873 K325 GS	11790	C45	LFG (Grey)	27.000	82.5	3 ¼	380	2.36
LFG 1873 SS K325 GS	11791	AUSTENITIC		21.000				
PP 1873 SS K325 GS	11791CR	AUSTENITIC	PP (Grey)	21.000				
LFG 1873 K450 GS	11795	C45	LFG (Grey)	27.000	114.3	4 ½	380	2.88
LFG 1873 SS K450 GS	11796	AUSTENITIC		21.000				
PP 1873 SS K450 GS	11796CR	AUSTENITIC	PP (Grey)	21.000				

Standard length: 80 pitches (10 ft. - 3.048 m)

Breaking Load according to Standard ISO 4348 - DIN 8153

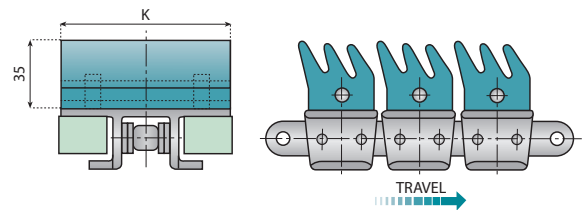
SIDEFLEXING PLASTIC PLATE TOP CHAINS WITH SNAP ON GRIPPER

1873 GS



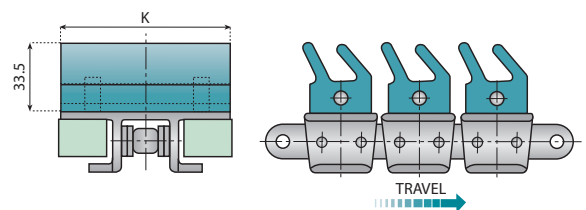
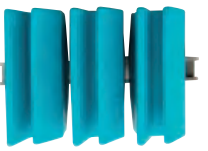
GS 1 LIGHT APPLICATIONS

Chain - Ref.	Code	Kit flight rubber + pin	Only rubber	K mm	Material			Weight Kg/m	
					Roller chain	Plate	Gripper		
LFG 1873 K325 GS1	11762	11730	11740	82	C45	LFG (Grey)	THERMOPLASTIC	4.65	
LFG 1873 SS K325 GS1	11763				AUSTENITIC				
PP 1873 SS K325 GS1	11763CR	11730CR	11740CR		114	C45	LFG (Grey)		THERMOPLASTIC
LFG 1873 K450 GS1	11766	11731	11741			AUSTENITIC			
LFG 1873 SS K450 GS1	11767			11731CR	11741CR	C45	LFG (Grey)	THERMOPLASTIC	7.05
PP 1873 SS K450 GS1	11767CR	11731CR	11741CR	AUSTENITIC	PP (Grey)	EPDM - PP (beige)			



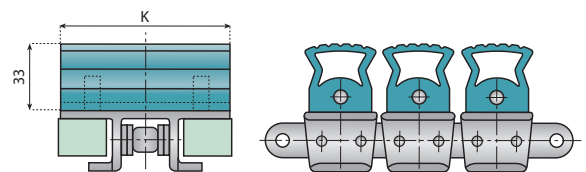
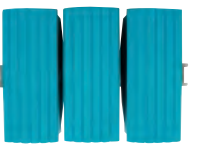
GS 2 HEAVY APPLICATIONS

Chain - Ref.	Code	Kit flight rubber + pin	Only rubber	K mm	Material			Weight Kg/m	
					Roller chain	Plate	Gripper		
LFG 1873 K325 GS2	11775	11732	11742	82	C45	LFG (Grey)	THERMOPLASTIC	4.05	
LFG 1873 SS K325 GS2	11776				AUSTENITIC				
PP 1873 SS K325 GS2	11776CR	11732CR	11742CR		114	C45	LFG (Grey)		THERMOPLASTIC
LFG 1873 K450 GS2	11779	11733	11743			AUSTENITIC			
LFG 1873 SS K450 GS2	11780			11733CR	11743CR	C45	LFG (Grey)	THERMOPLASTIC	6.45
PP 1873 SS K450 GS2	11780CR	11733CR	11743CR	AUSTENITIC	PP (Grey)	EPDM - PP (beige)			



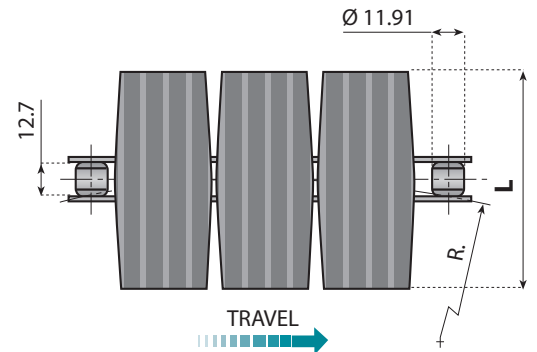
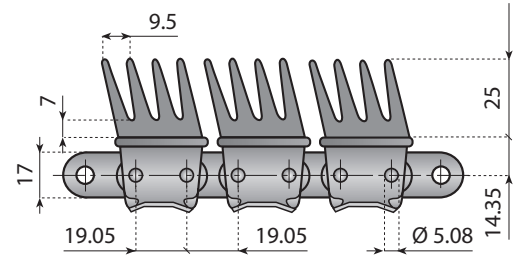
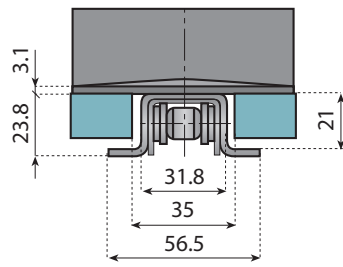
GS 3 SPECIAL APPLICATIONS

Chain - Ref.	Code	Kit flight rubber + pin	Only rubber	K mm	Material			Weight Kg/m	
					Roller chain	Plate	Gripper		
LFG 1873 K325 GS3	11781	11734	11744	82	C45	LFG (Grey)	THERMOPLASTIC	3.95	
LFG 1873 SS K325 GS3	11782				AUSTENITIC				
PP 1873 SS K325 GS3	11782CR	11734CR	11744CR		114	C45	LFG (Grey)		THERMOPLASTIC
LFG 1873 K450 GS3	11783	11735	11745			AUSTENITIC			
LFG 1873 SS K450 GS3	11784			11735CR	11745CR	C45	LFG (Grey)	THERMOPLASTIC	6.35
PP 1873 SS K450 GS3	11784CR	11735CR	11745CR	AUSTENITIC	PP (Grey)	EPDM - PP (beige)			



GS 4 SPECIAL APPLICATIONS

Chain - Ref.	Code	Kit flight rubber + pin	Only rubber	K mm	Material			Weight Kg/m	
					Roller chain	Plate	Gripper		
LFG 1873 K325 GS4	11785	11728	11746	82	C45	LFG (Grey)	THERMOPLASTIC	4.15	
LFG 1873 SS K325 GS4	11786				AUSTENITIC				
PP 1873 SS K325 GS4	11786CR	11728CR	11746CR		114	C45	LFG (Grey)		THERMOPLASTIC
LFG 1873 K450 GS4	11787	11729	11747			AUSTENITIC			
LFG 1873 SS K450 GS4	11788			11729CR	11747CR	C45	LFG (Grey)	THERMOPLASTIC	6.55
PP 1873 SS K450 GS4	11788CR	11729CR	11747CR	AUSTENITIC	PP (Grey)	EPDM - PP (beige)			



Application:

Elevating and lowering conveyors.

Characteristics:

Gripper pads are utilized for a wide range of applications due to their unique mechanical properties. They offer users high laceration and abrasion resistance, good resistance to deformation and excellent resistance to fatigue and heat.



Chain - Ref.	Code	Material			Breaking load N	Width L		R min.	Weight Kg/m
		Roller chain	Plate	Rubber		mm	inch		
1874 A K325 GV	11203	C45	AUSTENITIC	NBR	27.000	82.5	3 ¼	380	5.8
1874 SS K325 GV	11204	AUSTENITIC			21.000				
1874 SS K325 GVE	11202	AUSTENITIC			21.000				

Standard length: 160 pitches (10 ft. - 3.048 m) 80 Flights

STRAIGHT RUNNING PLATE TOP CHAINS

Series

[843 - 845 - 863](#)

Pages

[68 → 70](#)

SIDEFLEXING PLATE TOP CHAINS

Series

[1843 - 1863 - 1873 - 1883](#)

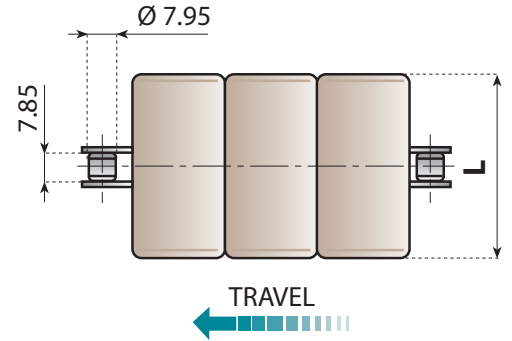
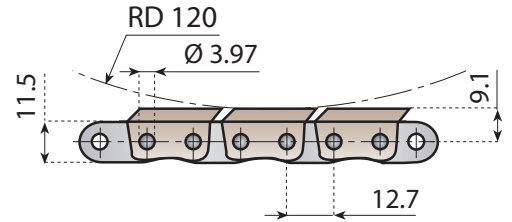
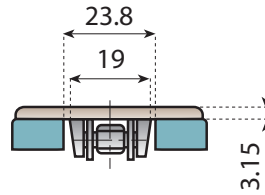
Pages

[71 → 73](#)

ALL OUR PLATE TOP OFFER:

- HIGH SPEED
- VERY HIGH LOADS
- LONGER CONVEYORS
- EASY MAINTENANCE
- FLIGHTS REMOVABLE
- LOWER NOISE
- NO CHAIN ELOGATION

STRAIGHT RUNNING PLASTIC PLATE TOP CHAINS WITH BASE ROLLER CHAINS 12.7 mm (1/2") PITCH



Advantages:

- Small pitch
- Reduced chordal effect
- Reduced sprocket diameter

On request and for adequate quantities these chains can be produced in:

D
Grey Acetal Resin



Pages 4⇒7



Page 308



Pages 340⇒343

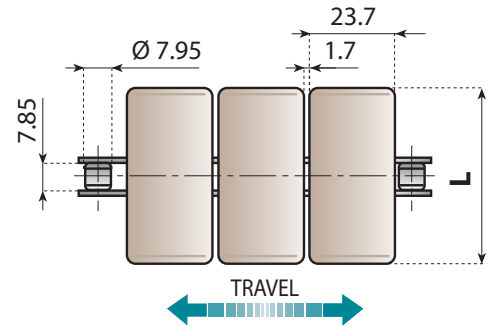
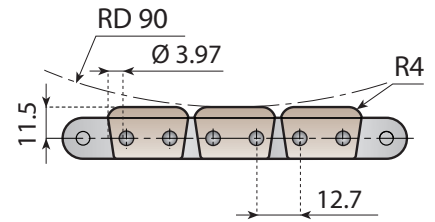
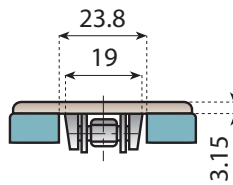
Chain - Ref.	Code	Material		Breaking load N	Width L		Weight Kg/m		
		Roller chain	Top plate		mm	inch			
LF 843 K100	11593	C45	LF Brown	16.900	25.4	1	0.82		
LF 843 K125	11720				31.8	1 ¼	0.83		
LF 843 K138	11614				34.9	1 ⅜	0.83		
LF 843 K144	11615				36.5	1 7/16	0.84		
LF 843 K200	11616				50.8	2	0.89		
LF 843 K325	11617				82.5	3 ¼	1.03		
NG 843 K100	11670				25.4	1	0.82		
NG 843 K125	11722		31.8		1 ¼	0.83			
NG 843 K138	11671		34.9		1 ⅜	0.83			
NG 843 K144	11672		36.5		1 7/16	0.84			
NG 843 K200	11673		50.8		2	0.89			
NG 843 K325	11674		82.5		3 ¼	1.03			
LF 843 SS K100	11597		AUSTENITIC		LF Brown	10.690	25.4	1	0.82
LF 843 SS K125	11723						31.8	1 ¼	0.83
LF 843 SS K138	11644	34.9		1 ⅜			0.83		
LF 843 SS K144	11645	36.5		1 7/16			0.84		
LF 843 SS K200	11646	50.8		2			0.89		
LF 843 SS K325	11647	82.5		3 ¼			1.03		
NG 843 SS K100	11675	25.4		1			0.82		
NG 843 SS K125	11725	31.8		1 ¼	0.83				
NG 843 SS K138	11676	34.9		1 ⅜	0.83				
NG 843 SS K144	11677	36.5		1 7/16	0.84				
NG 843 SS K200	11678	50.8		2	0.89				
NG 843 SS K325	11679	82.5		3 ¼	1.03				

Standard length: 240 pitches (10 ft. - 3.048 m)

Breaking Load according to Standard ISO 4348 - DIN 8153

STRAIGHT RUNNING PLASTIC PLATE TOP CHAINS WITH BASE ROLLER CHAINS 12.7 mm (1/2") PITCH

845



Advantages:

- High speed
- Low noise
- Small pitch
- Reduced chordal effect
- Reduced sprocket diameter
- Easy maintenance
- Plastic flights removable
- High loads



Pages
4⇨7



Page
308

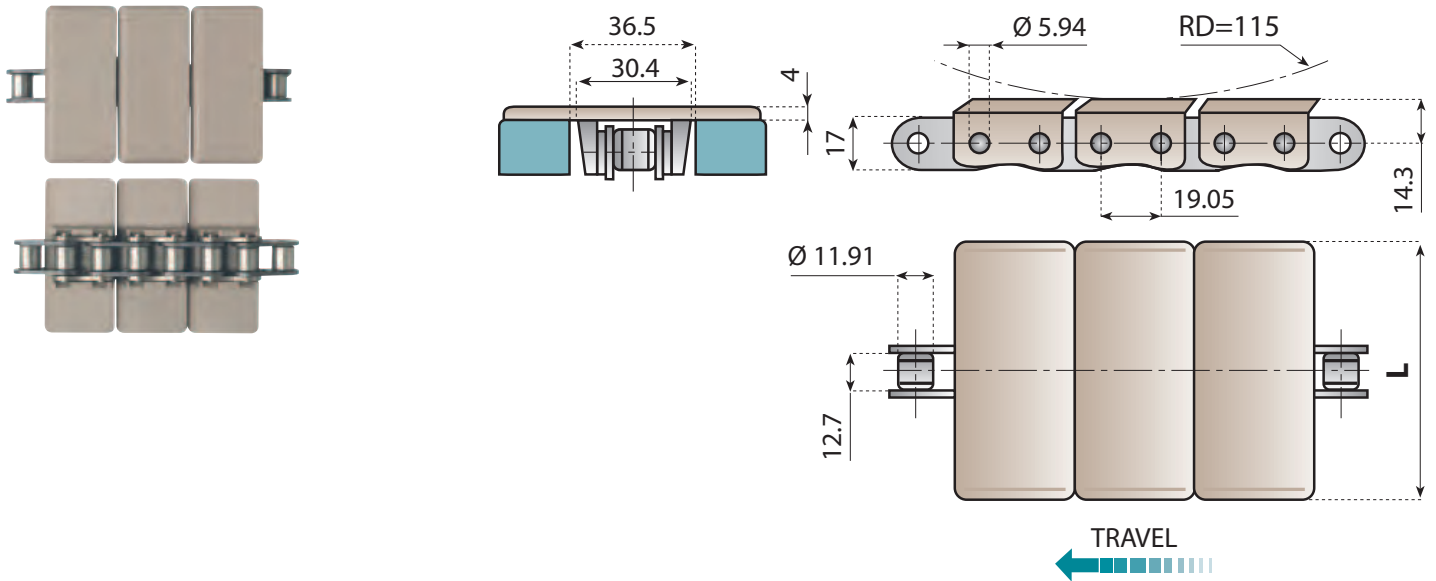


Pages
340⇨343

Chain - Ref.	Code	Material		Breaking load N	Width L		Weight Kg/m
		Roller chain	Top plate		mm	inch	
LF 845 SS K200 - 298 LINKS	11445/298	SS	LF	10.690	50.8	2	0.89
LF 845 SS K200 - 300 LINKS	11445/300		Brown				

Breaking Load according to Standard ISO 4348 - DIN 8153

STRAIGHT RUNNING PLATE TOP CHAINS WITH BASE ROLLER CHAINS 19.05 mm (3/4") PITCH



Descriptions:

Combining the carrying capacity of a high quality base roller chain with the smoothness and flatness of the thermoplastic flights, allows for greater conveyor design freedom with these chains, increased conveyor lengths and faster speeds are possible.

On request and for adequate quantities these chains can be produced in:

D
Grey Acetal Resin



Pages 4⇒7



Page 308



Pages 340⇒343

Chain - Ref.	Code	Material		Breaking load N	Width L		Weight Kg/m	
		Roller chain	Top plate		mm	inch		
LF 863 K325	11622	C45	LF Brown	38.000	82.5	3 ¼	2.10	
LF 863 K450	11623				114.3	4 ½	2.23	
LF 863 K600	11624				152.4	6	2.53	
LF 863 K750	11625				190.5	7 ½	2.68	
NG 863 K325	11680		NG Green		30.000	82.5	3 ¼	2.10
NG 863 K450	11681					114.3	4 ½	2.23
NG 863 K600	11682					152.4	6	2.53
NG 863 K750	11683					190.5	7 ½	2.68
LF 863 SS K325	11652	AUSTENITIC	LF Brown	30.000		82.5	3 ¼	2.10
LF 863 SS K450	11653					114.3	4 ½	2.23
LF 863 SS K600	11654					152.4	6	2.53
LF 863 SS K750	11655					190.5	7 ½	2.68
NG 863 SS K325	11684		NG Green		30.000	82.5	3 ¼	2.10
NG 863 SS K450	11685					114.3	4 ½	2.23
NG 863 SS K600	11686					152.4	6	2.53
NG 863 SS K750	11687					190.5	7 ½	2.68

Standard length: 160 pitches (10 ft. - 3.048 m) 80 Flights

Breaking Load according to Standard ISO 4348 - DIN 8153

SIDEFLEXING OVERLAPPING PLATE TOP CHAINS WITH BASE ROLLER CHAINS 12.7 mm (1/2") PITCH

1843



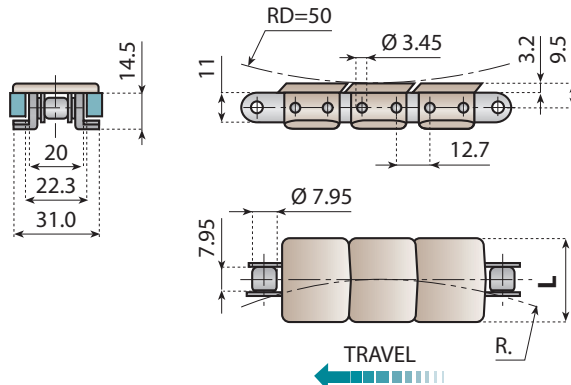
Advantages:

- Small pitch
- Reduced chordal effect
- Reduced sprocket diameter
- Continuous flat conveying surface.

Standard length:

240 pitches (10 Ft - 3,048 m)
120 flights

"NOLU-S" CURVES
ARE STRONGLY RECOMMENDED
WITH THESE CHAINS!



On request and for adequate quantities these chains can be produced in:

AS	D
Anti-static Acetal Resin	Grey Acetal Resin



Pages 4→7



Page 262



Page 269



Page 308



Pages 340→343

Chain - Ref.	Code	Material		Breaking load N	Width L		R mm	Weight Kg/m	
		Roller chain	Top plate		mm	inch.			
LF 1843 K125	11543	C45	LF Brown	13000	31.8	1 ¼	254	0.74	
LF 1843 K200	11429		50.8		2	0.89			
NG 1843 K125	11425		NG Green		31.8	1 ¼		0.74	
NG 1843 K200	11431		50.8		2	0.89			
LF 1843 SS K125	11545	AUSTENITIC	LF Brown	10000	31.8	1 ¼		254	0.74
LF 1843 SS K200	11433		50.8		2	0.89			
NG 1843 SS K125	11426		NG Green		31.8	1 ¼			0.74
NG 1843 SS K200	11435		50.8		2	0.89			

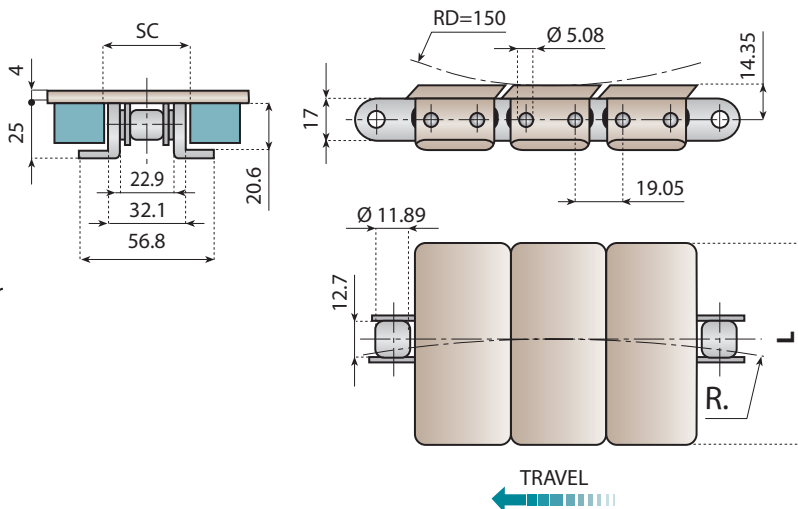
SIDEFLEXING OVERLAPPING PLATE TOP CHAINS WITH BASE ROLLER CHAINS 19.05 mm (3/4") PITCH

1863



Advantages:

- Overlapping flights reduce gap between flights and assure better product stability
- Improved safety because of the reduced flights gap on both the straight and curved sections of the conveyor
- Interchangeable with 1873 series



Pages 4→7



Page 260



Page 267



Page 308

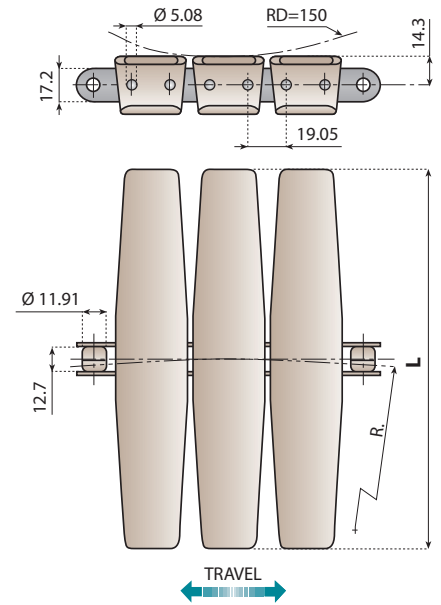
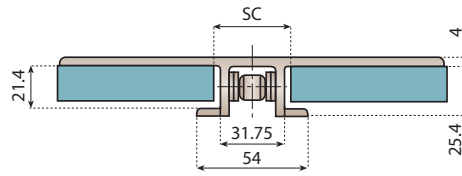


Pages 340→343

Chain - Ref.	Code	Material		Breaking load N	Width L		R min.	SC		Weight Kg/m
		Roller chain	Top plate		mm	inch		Straight	Curving	
LF 1863 K225	11547	C45	LF Brown	27.000	57.2	2 ¼	380	33.3	35	2.00
NG 1863 K225	11710		NG Green							
LF 1863 SS K225	11557	AUSTENITIC	LF Brown	21.000	57.2	2 ¼	380	33.3	35	2.00
NG 1863 SS K225	11711		NG Green							

Standard length: 160 pitches (10 ft. - 3,048 m)

Breaking Load according to Standard ISO 4348 - DIN 8153



MATERIAL Pages 4→7

 Page 260

 Page 267

 Page 308

 Pages 340→343

**"NOLU-S" CURVES
ARE STRONGLY RECOMMENDED
WITH THESE CHAINS!**

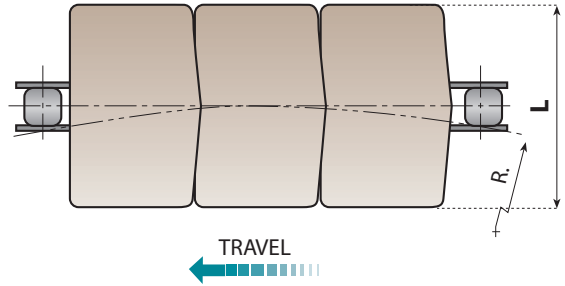
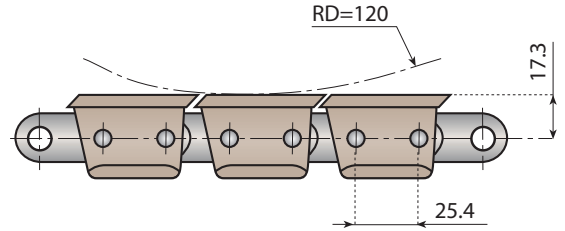
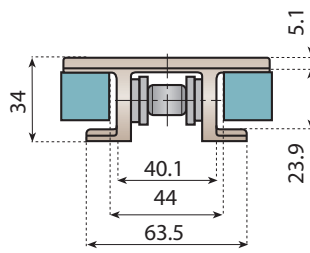
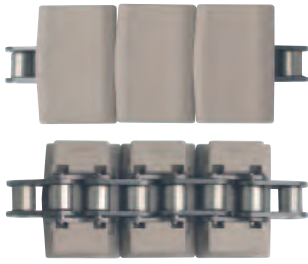
Chain - Ref.	Code	Material		Breaking load N	Width L		R min.	SC		Weight Kg/m			
		Roller chain	Plate		mm	inch		Straight	Curving				
LF 1873 K225	11633	C45	LF Brown	27.000	57.1	2 ¼	380	33.3	35	2.00			
LF 1873 K325	11634				82.5	3 ¼				2.10			
LF 1873 K450	11635				114.3	4 ½				2.23			
LF 1873 K600	11636				152.4	6				2.40			
LF 1873 K750	11637				190.5	7 ½				2.60			
LF 1873 K1000	11638				254.0	10				2.80			
LF 1873 K1200	11639		304.8		12	3.00							
NG 1873 K225	11707		NG Green		27.000	57.1	2 ¼			380	33.3	35	2.00
NG 1873 K325	11688					82.5	3 ¼						2.10
NG 1873 K450	11689					114.3	4 ½						2.23
NG 1873 K600	11690					152.4	6						2.40
NG 1873 K750	11691					190.5	7 ½						2.60
NG 1873 K1000	11692	254.0		10		2.80							
NG 1873 K1200	11693	304.8	12	3.00									
LF 1873 SS K225	11663	AUSTENITIC	LF Brown	21.000		57.1	2 ¼	380	33.3	35			2.00
LF 1873 SS K325	11664					82.5	3 ¼						2.10
LF 1873 SS K450	11665					114.3	4 ½						2.23
LF 1873 SS K600	11666					152.4	6						2.40
LF 1873 SS K750	11667					190.5	7 ½						2.60
LF 1873 SS K1000	11668				254.0	10	2.80						
LF 1873 SS K1200	11669		304.8		12	3.00							
NG 1873 SS K225	11709		NG Green		21.000	57.1	2 ¼	380			33.3	35	2.00
NG 1873 SS K325	11694					82.5	3 ¼						2.10
NG 1873 SS K450	11695					114.3	4 ½						2.23
NG 1873 SS K600	11696					152.4	6						2.40
NG 1873 SS K750	11697					190.5	7 ½						2.60
NG 1873 SS K1000	11698	254.0		10		2.80							
NG 1873 SS K1200	11699	304.8	12	3.00									

Standard length: 160 pitches (10 ft. - 3.048 m) 80 flights

Breaking Load according to Standard ISO 4348 - DIN 8153

SIDEFLEXING OVERLAPPING PLATE TOP CHAINS WITH BASE ROLLER CHAINS 25.4 mm (1") PITCH

1883



"NOLU-S" CURVES
ARE STRONGLY RECOMMENDED
WITH THESE CHAINS!

Advantages:

- Overlapping flights reduce gap between flights and assure better product stability
- Improved safety because of the reduced flights gap on both the straight and curved sections of the conveyor

On request and for adequate quantities these chains can be produced in:

D
Grey Acetal Resin



Pages 4⇔7



Page 262



Page 270



Page 308



Pages 340⇔343

Chain - Ref.	Code	Material		Breaking load N	Width L		R min.	Weight Kg/m
		Roller chain	Plate		mm	inch		
LF 1883 K325	11850	C45	LF Brown	55.000	82.5	3 ¼	715	3.44
NG 1883 K325	11852		NG Green					

Standard length: 120 pitches (10 ft. - 3.048 m) 60 flights

Breaking Load according to Standard ISO 4348 - DIN 8153

PLASTIC MULTIFLEX CHAINS

Series

Pages

[1700 - 1701 TAB - 1701 TAB OP](#)
[1701 TAB OP M - 1702 - 1702 M](#)
[HMGK 50 - HMGK 50 FN -HMGK 50 MS](#)
[HMGK 50 P - HMGK 50 TAB P](#)
[HMGK 50 H - HMGK 50 TAB H](#)
[7000 - 7000 TAB - 7001 - 7001 TAB](#)
[7005 - 7005 TAB - 1706](#)

[76 → 82](#)

APPLICATION:

- DAIRY INDUSTRY CONVEYING OF MILK CARTONS
- ELEVATION OR LOWERING PRODUCTS WITH POSSIBILITY OF ACCUMULATION
- PRESERVING AND MECHANICAL INDUSTRIES

ADVANTAGES:

- MULTI-DIRECTIONAL FLEXIBILITY
- SMALL SIDEFLEXING RADIUS
- HIGH WORKING LOAD
- CONSISTENT HIGH QUALITY
- LONG WEAR LIFE
- LOW COEFFICIENT OF FRICTION

CRATE CONVEYOR CHAINS

Series

Pages

[CC 600 - CC 600 TAB - CC 600 P](#)
[CC 1400 V - CC 140 V TAB - CC 600 F](#)
[CC 600 TAB P - CC 631 TAB](#)
[CC 1400 - CC 1400 TAB - CC 1431 TAB](#)

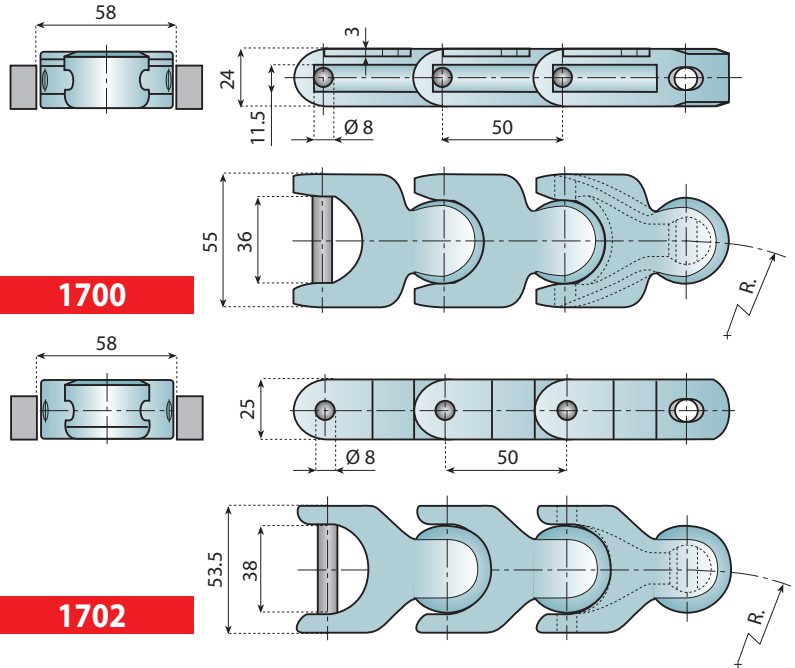
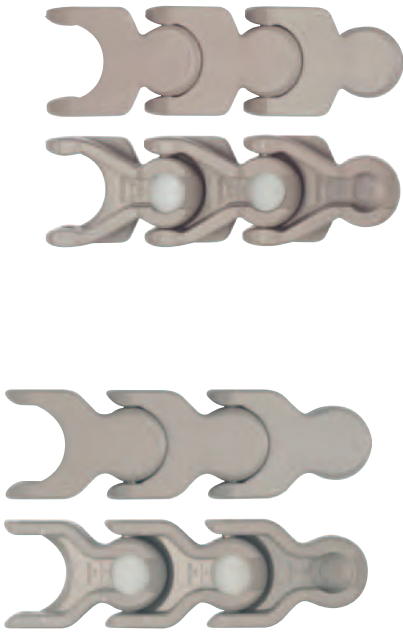
[83 → 85](#)

APPLICATION:

- TRANSPORTATION OF PLASTIC CRATES
- GENERAL PURPOSE CONVEYING APPLICATIONS

ADVANTAGES:

- HIGH STRENGTH
- CURVING RADIUS CAPABILITY
- VERY HIGH WEAR RESISTANCE



1700

1702

Pin Material: Austenitic Stainless Steel

Chain - Ref.	Code	Material Link	Breaking load N	R min.	Weight Kg/m
D - 1700	11950	D	8.500	150	1.25
W - 1700	11951	W			
LF - 1700	11952	LF			
LFW - 1700	11953	LFW			
NG - 1700	11948	NG	9.500	150	1.40
D - 1702	11949	D			
LF - 1702	11954	LF			
LFW - 1702	11955	LFW			
NG - 1702	11984	NG			

MATERIAL Pages 4→7

Page 263

Page 271

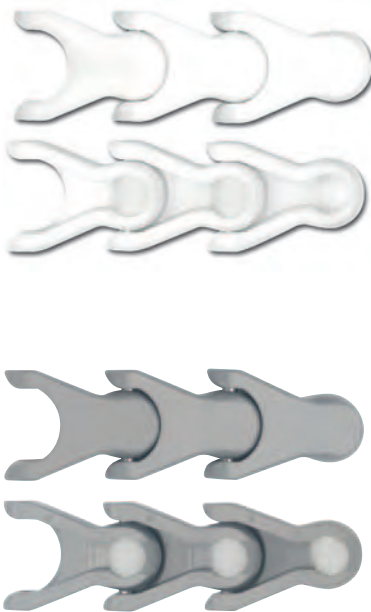
Page 306

Pages 334→335

Pages 340→343

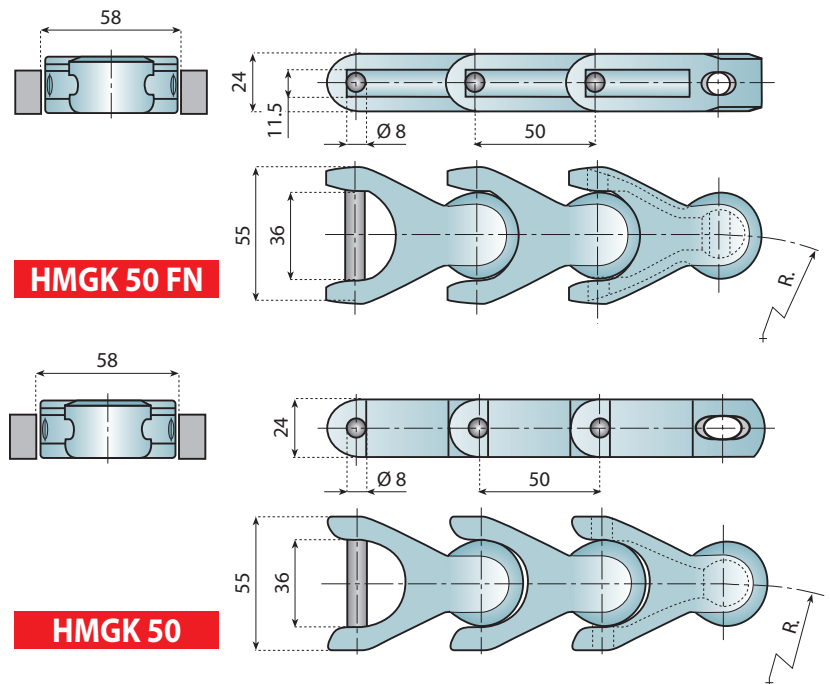
HMGK 50 FN - HMGK 50

MULTIFLEX CHAINS



HMGK 50 FN is identical to series 1700 hains but has no overlapping top plate

HMGK 50 is identical to series 1700 Chains but does not have sideslots or overlapping top plate



HMGK 50 FN

HMGK 50

Pin Material: Austenitic Stainless Steel

Chain - Ref.	Code	Material Link	Breaking load N	R min.	Weight Kg/m
W - HMGK 50 FN	11961	W	8.500	130	1.25
D - HMGK 50	11962	D		145	1.35
W - HMGK 50	11963	W			

MATERIAL Pages 4→7

Page 263

Page 271

Page 306

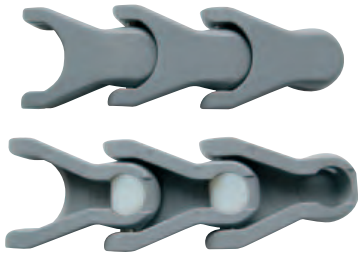
Pages 334→335

Pages 340→343

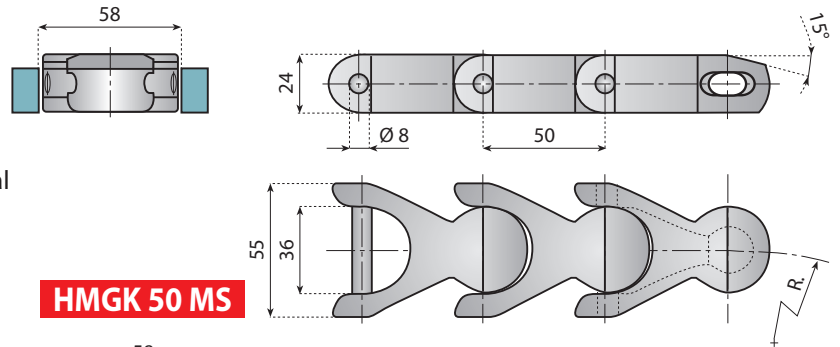
Standard length: 61 pitches (10 ft. - 3.050 m)

MULTIFLEX CHAINS

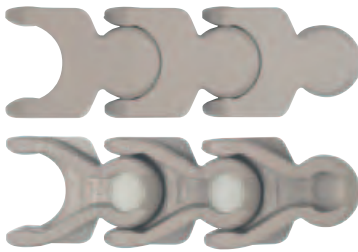
HMGK 50 MS - HMGK 50 P



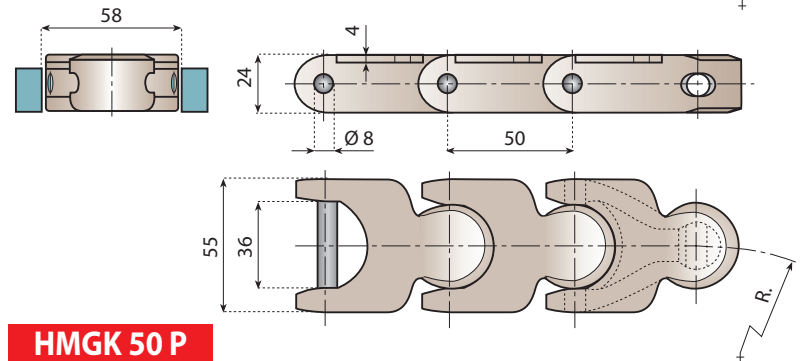
HMGK 50 MS is identical to series HMGK 50 but as an additional feature a bevelled top plate



HMGK 50 MS



HMGK 50 P identical to series 1700 chain but has no sideslots for guiding



HMGK 50 P

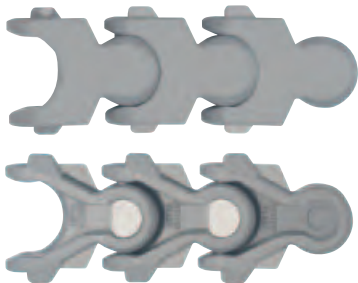
Pin Material: Austenitic Stainless Steel

Chain - Ref.	Code	Material Link	Breaking load N	R min.	Weight Kg/m
D - HMGK 50 MS	11960	D	8.500	145	1.35
LF - HMGK 50 P	11982	LF		135	1.45

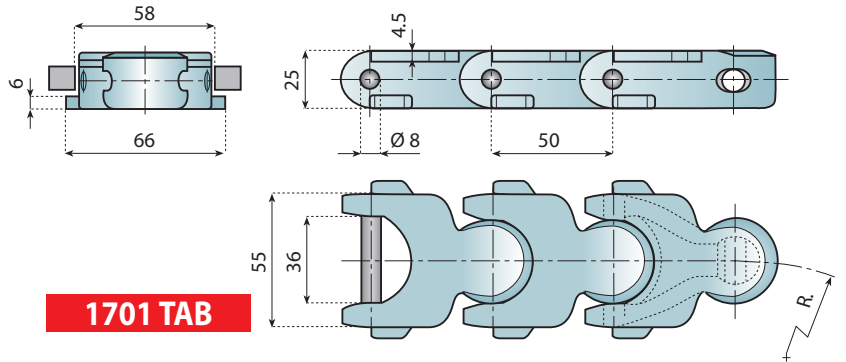


MULTIFLEX CHAINS

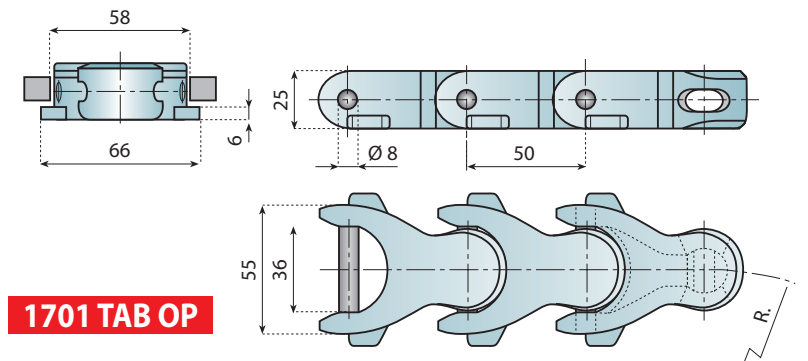
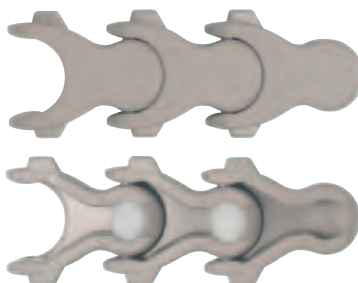
1701 TAB - 1701 TAB OP



1701 TAB and 1701 TAB OP have identical dimensions as 1700 series but include TAB configuration to hold down chains especially in curves.



1701 TAB



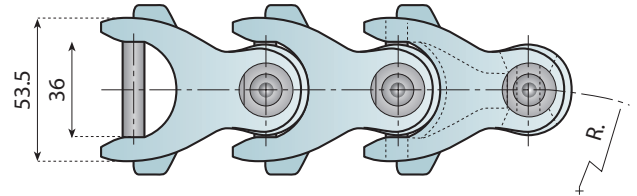
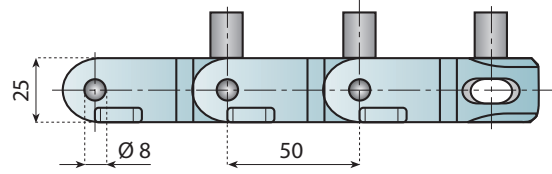
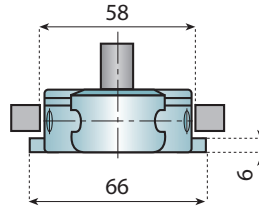
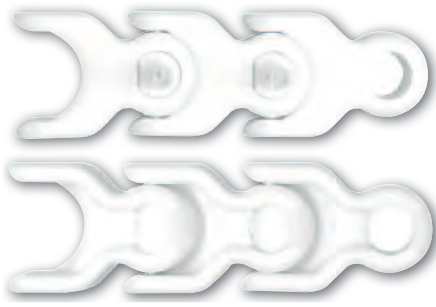
1701 TAB OP

Pin Material: Austenitic Stainless Steel

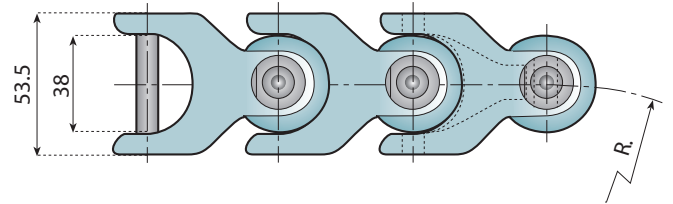
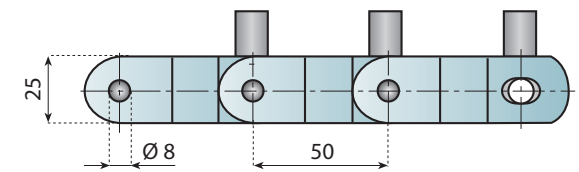
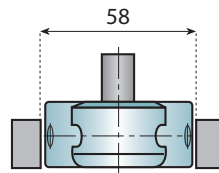
Chain - Ref.	Code	Material Link	Breaking load N	R min.	Weight Kg/m
LF - 1701 TAB	11956	LF	9.500	150	1.45
LFW - 1701 TAB	11957	LFW			
NG - 1701 TAB	11983	NG			
LF - 1701 TAB OP	11958	LF			1.40
LFW - 1701 TAB OP	11959	LFW			



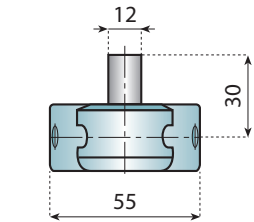
Standard length: 61 pitches (10 ft. - 3.050 m)



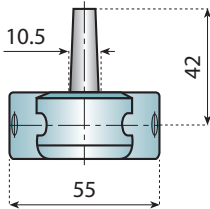
1701 TAB OP M



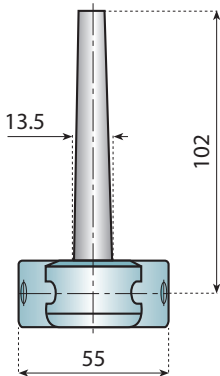
1702 M



M3 (pusher white)



M1 (pusher white)



M2 (pusher white)

MATERIAL Pages 4⇒7

Page 263

Page 270

Page 306

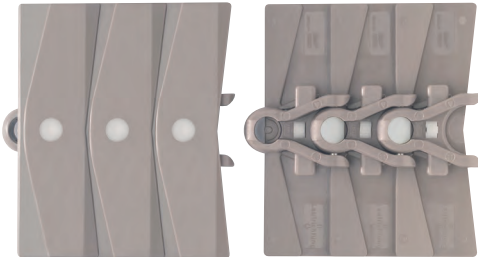
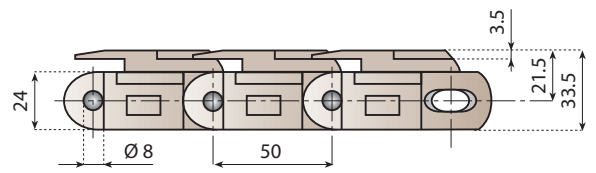
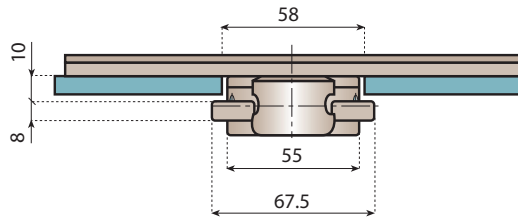
Pages 336⇒337

Pages 340⇒343

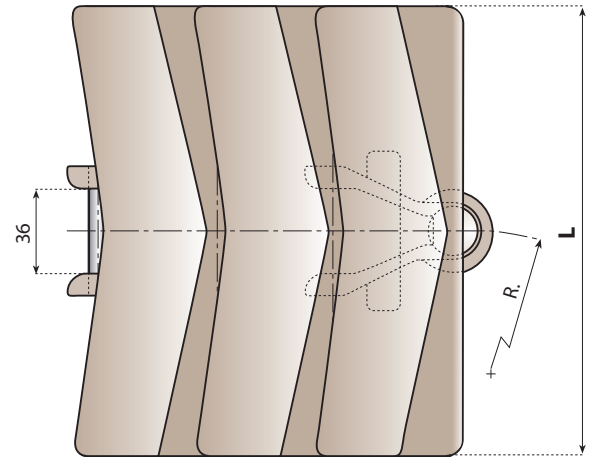
Pin Material: Austenitic Stainless Steel

Chain - Ref.	Code	Material Link	Pusher type	Breaking load N	R min.	Weight Kg/m
LFW - 1701 TAB OP M1	11964	LFW	M1	9.500	150	2.0
LFW - 1701 TAB OP M2	11965		M2			2.3
LFW - 1701 TAB OP M3	11966		M3			1.6
LFW - 1702 M1	11967		M1			2.0
LFW - 1702 M2	11968		M2			2.3
LFW - 1702 M3	11969		M3			1.6

Standard length: 61 pitches (10 ft. - 3.050 m)



HMGK 50 TAB P



 Page 264

 Page 272

 Page 306

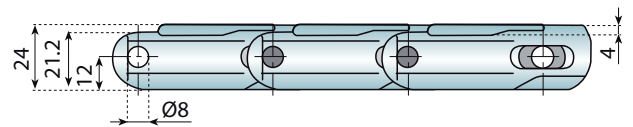
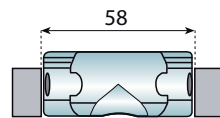
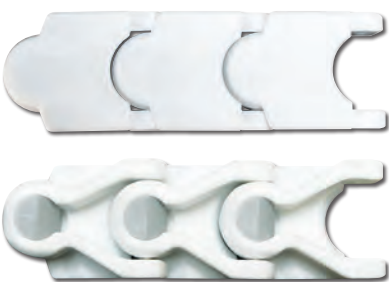
 Pages 340→343

 Pages 4→7

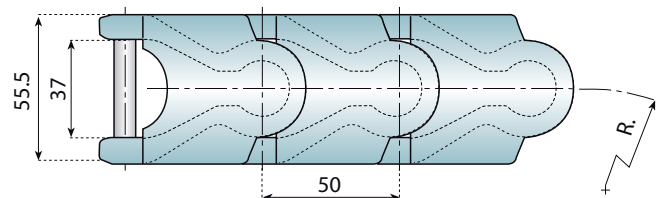
Pin Material: Austenitic Stainless Steel

Chain - Ref.	Code	Material Plate	Breaking load N	R min.	L mm	Weight Kg/m
LF - HMGK 50TAB P1	11976	LF	10.500	550	191	2.5
LF - HMGK 50TAB P2	11977				254	2.9

Standard length: 61 pitches (10 ft. - 3.050 m)



NEW



Backflex radius: 55 mm

 Page 263

 Page 271

 Pages 334→335

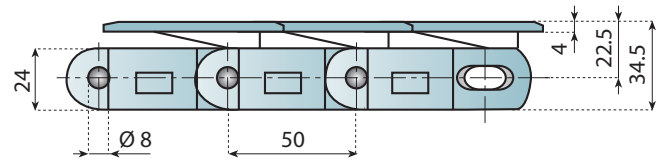
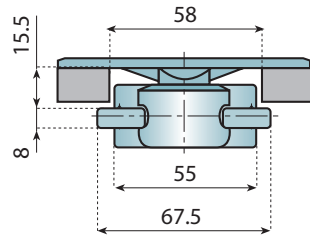
 Page 306

 Pages 340→343

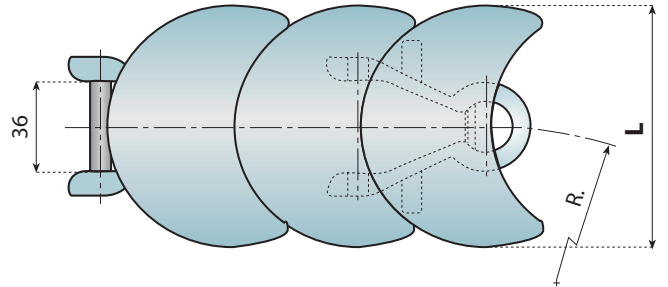
 Pages 4→7

Pin Material: Austenitic Stainless Steel

Chain - Ref.	Code	Material Link	Breaking load N	R min.	Weight Kg/m
LFW - 1706	11988	LFW	8.000	125	1.3
NG - 1706	11989	NG			



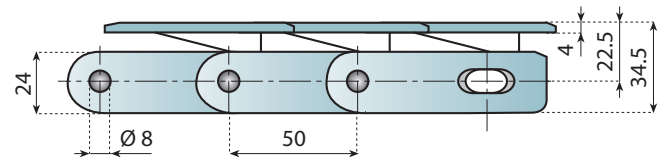
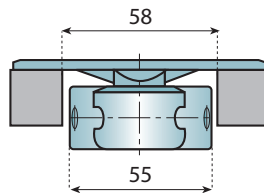
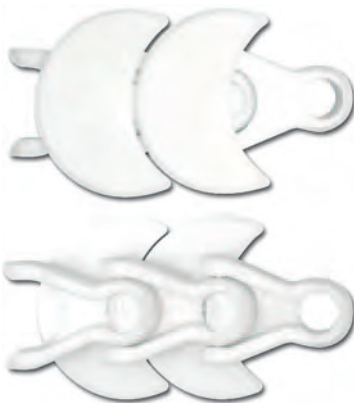
HMGK 50 TAB H



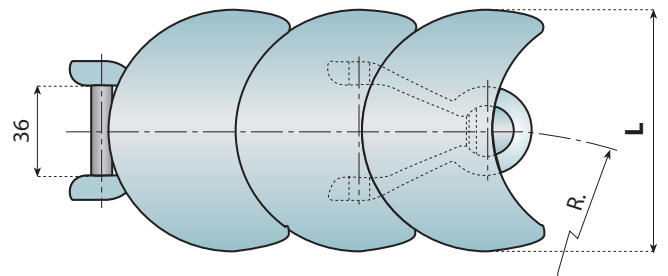
Pin Material: Austenitic Stainless Steel

Chain - Ref.	Code	Material Link	Breaking load N	R min.	L mm	Weight Kg/m
D - HMGK 50 TAB H1	11900	D	10.500	150	95	1.92
D - HMGK 50 TAB H2	11980			500	190	2.35
LFW - HMGK 50 TAB H1	11910	LFW		150	95	1.92
LFW - HMGK 50 TAB H2	11981			500	190	2.35

Standard length: 61 pitches (10 ft. - 3.050 m)



HMGK 50 H



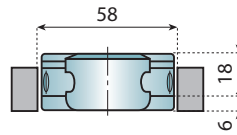
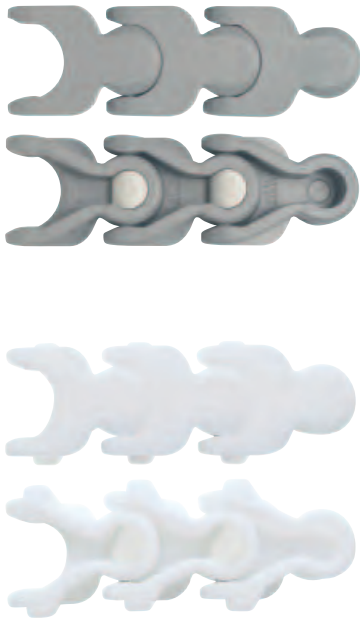
Pin Material: Austenitic Stainless Steel

Chain - Ref.	Code	Material Link	Breaking load N	R min.	L mm	Weight Kg/m
D - HMGK 50 H1	11880	D	10.500	150	95	1.92
D - HMGK 50 H2	11978			500	190	2.35
LFW - HMGK 50 H1	11890	LFW		150	95	1.92
LFW - HMGK 50 H2	11979			500	190	2.35

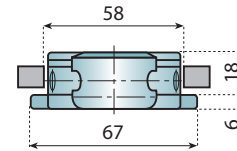
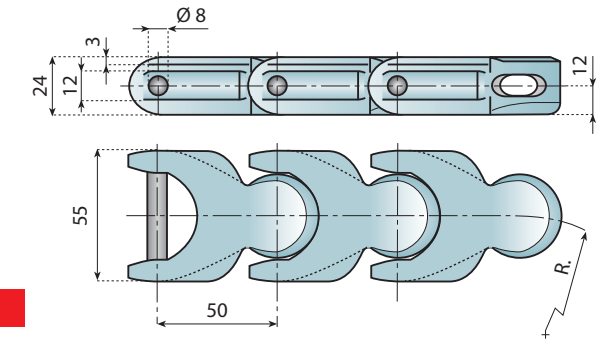
Standard length: 61 pitches (10 ft. - 3.050 m)

MULTIFLEX CHAINS

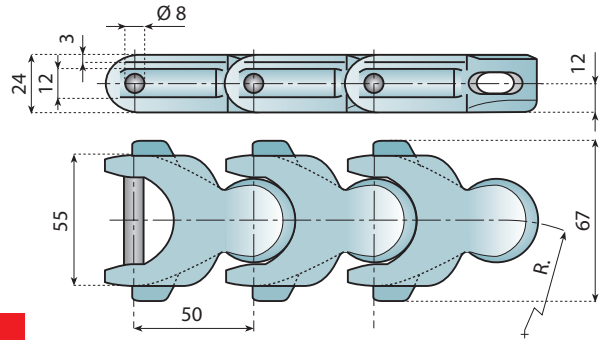
7000 - 7000 TAB



7000



7000 TAB



Pin Material:

SS: Ferritic Stainless Steel

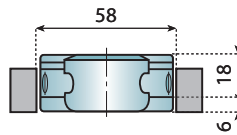
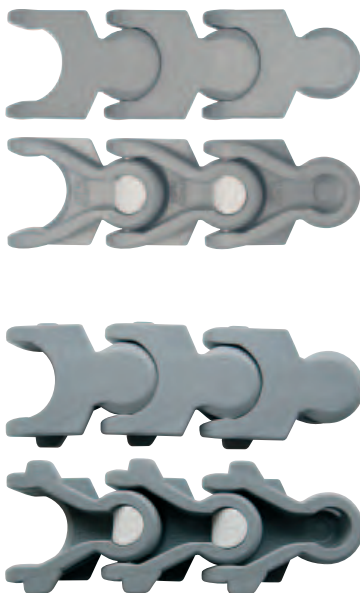
ZN: Zinc Plated Steel



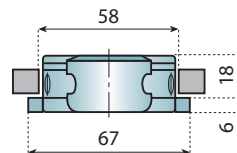
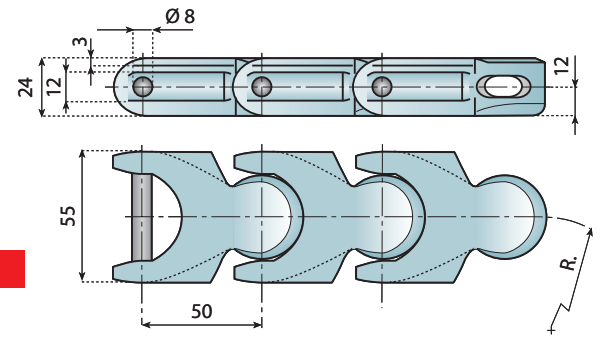
Chain - Ref.	Code	Material		Breaking load N	R min.	Weight Kg/m
		Link	Pin			
D - 7000 SS	11344	D	SS	8.500	140	1.27
D - 7000 ZN	11346		ZN			
LFW - 7000	11347	LFW	SS			
D - 7000 TAB SS	11253	D	SS			1.32
D - 7000 TAB ZN	11254		ZN			
LFW - 7000 TAB	11255	LFW	SS			

MULTIFLEX CHAINS

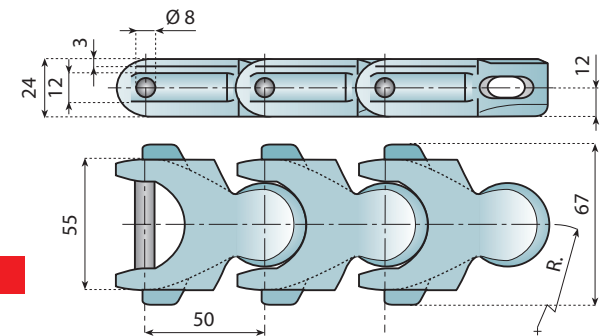
7001 - 7001 TAB



7001



7001 TAB



Pin Material:

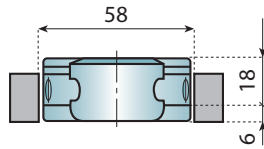
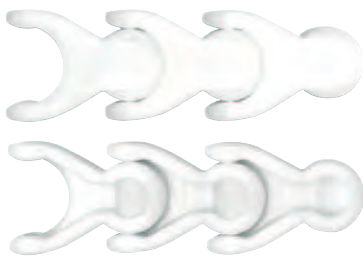
SS: Ferritic Stainless Steel

ZN: Zinc Plated Steel

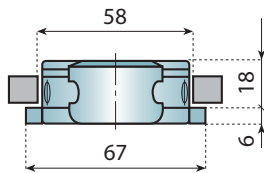
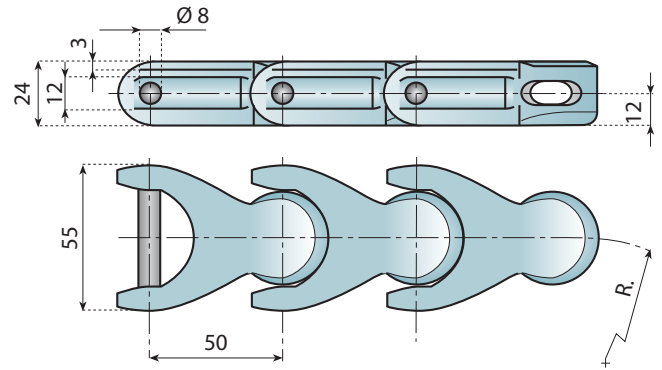


Chain - Ref.	Code	Material		Breaking load N	R min.	Weight Kg/m
		Link	Pin			
D - 7001 SS	11348	D	SS	8.500	140	1.28
D - 7001 ZN	11350		ZN			
LFW - 7001	11351	LFW	SS			
D - 7001 TAB SS	11256	D	SS			1.33
D - 7001 TAB ZN	11257		ZN			
LFW - 7001 TAB	11258	LFW	SS			

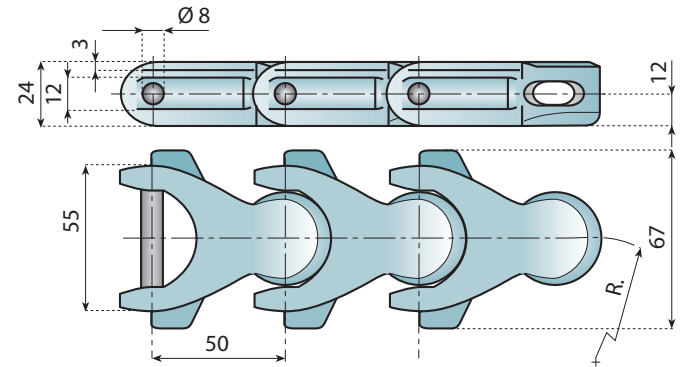
Standard length: 61 pitches (10 ft. - 3.050 m)



7005



7005 TAB



Pin Material:

SS: Ferritic Stainless Steel

ZN: Zinc Plated Steel

MATERIAL Pages 4→7

Pages 334→337

Page 306

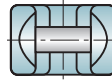
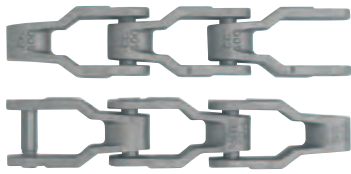
Page 263

Pages 270+271

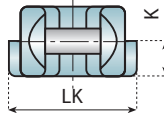
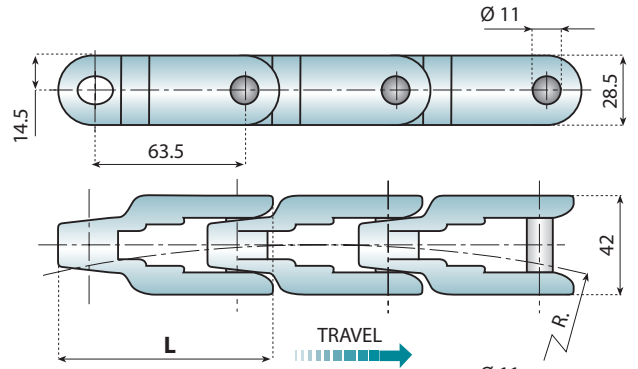
Pages 340→343

Chain - Ref.	Code	Material		Breaking load N	R min.	Weight Kg/m
		Link	Pin			
D - 7005 SS	11352	D	SS	8.500	140	1.25
D - 7005 ZN	11353	D	ZN			
LFW - 7005	11355	LFW	SS			
D - 7005 TAB SS	11250	D	SS			1.30
D - 7005 TAB ZN	11251	D	ZN			
LFW - 7005 TAB	11252	LFW	SS			

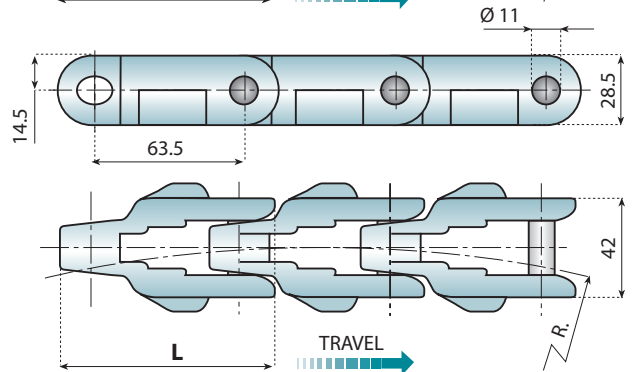
Breaking load tested according to standard ISO 4348



CC 600



CC 600 TAB



CI
Cast Iron

Pin Material: Austenitic Stainless Steel

Chain - Ref.	Code	Material		Breaking load N	R min.	L mm	K mm	LK mm	Weight Kg/m
		Link	Pin						
C 600	11025	CI	SS	55.000	760	92	14.2	---	5.22
C 600 TAB	11026							53.4	5.70
CC 600	11007	W	SS	14.000	700	90	17	---	1.33
CC 600 TAB	11009							54	1.49
NG 600	11027	NG	SS	12.500	700	90	17	---	1.33
NG 600 TAB	11028							54	1.49



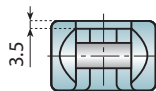
Pages 4→7



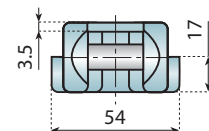
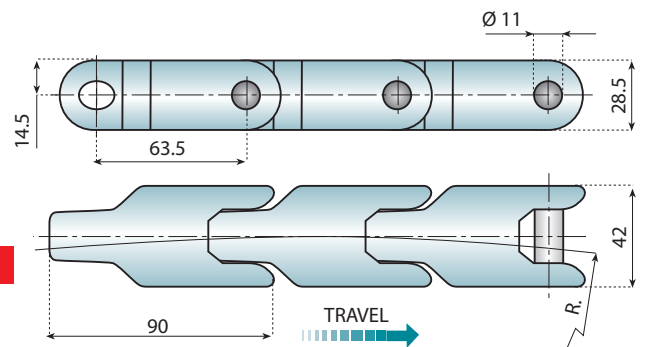
Page 307



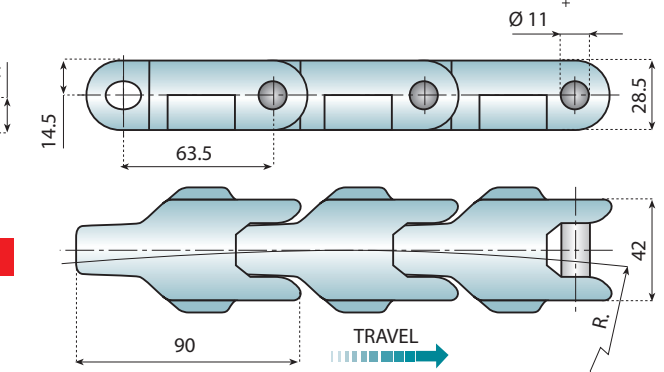
Pages 340→343



CC 600 P



CC 600 TAB P



Pin Material: Austenitic Stainless Steel

Chain - Ref.	Code	Material Link	Breaking load N	R min.	Weight Kg/m
C 600 P	11045	W	14.000	700	1.40
C 600 TAB P	11046				1.55



Pages 4→7



Page 307

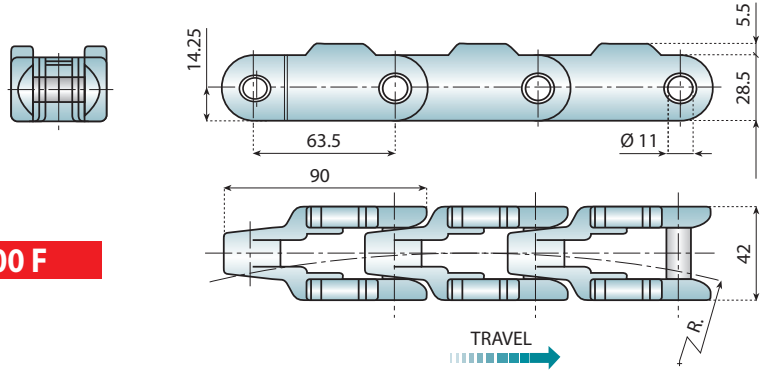


Pages 340→343

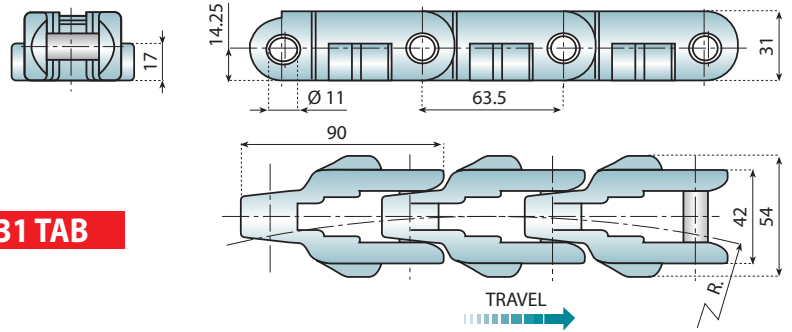
Standard length: 48 pitches (10 ft. - 3.048 m)



CC 600 F



CC 631 TAB



Pin Material: Austenitic Stainless Steel

Chain - Ref.	Code	Material Link	Breaking load N	R min.	Weight Kg/m
CC 600 F	11036	W	14.000	700	1.41
CC 631 TAB	11037				

Standard length: 48 pitches (10 ft. - 3.048 m)



Pages 4⇒7



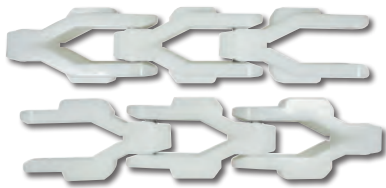
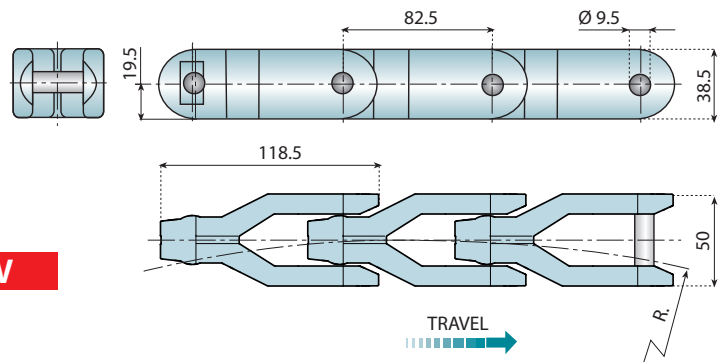
Page 307



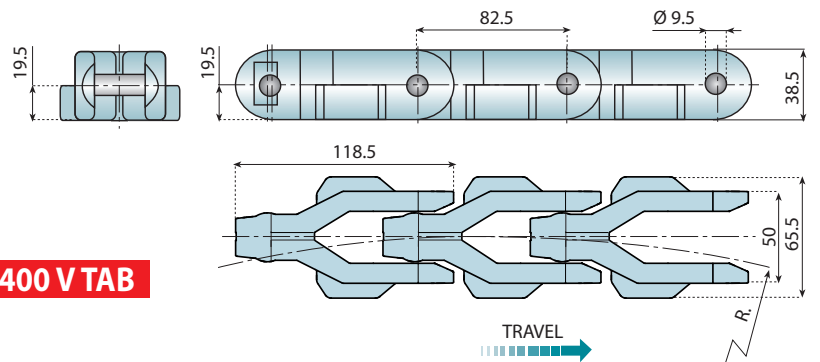
Pages 340⇒343



CC 1400 V



CC 1400 V TAB



Pin Material:

SS: Ferritic Stainless Steel

SS: Austenitic Stainless Steel Riveted

Chain - Ref.	Code	Material		Breaking load N	R min.	Weight Kg/m
		Link	Pin			
CC 1400 V	11008	W	SS	18.000	660	3.24
CC 1400 V TAB	11010					3.44
CC 1400 V R	11008R	W	SS Riveted	18.000	660	3.24
CC 1400 V TAB-R	11010R					3.44

Breaking Load according to Standard ISO 4348 - DIN 8153



Pages 4⇒7



Page 307

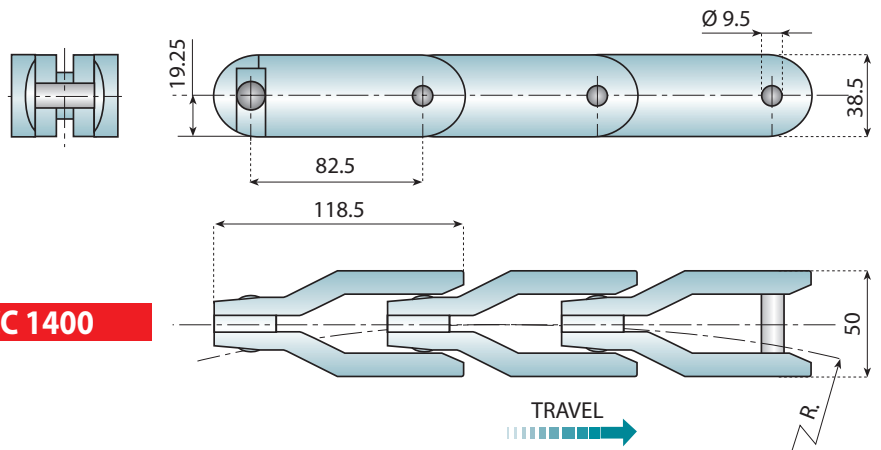


Pages 340⇒343

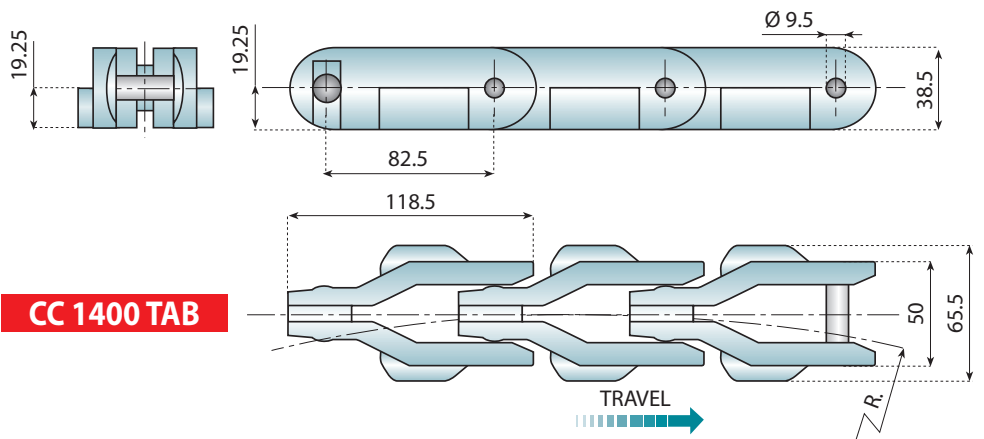
Standard length: 37 pitches (10 ft. - 3.048 m)



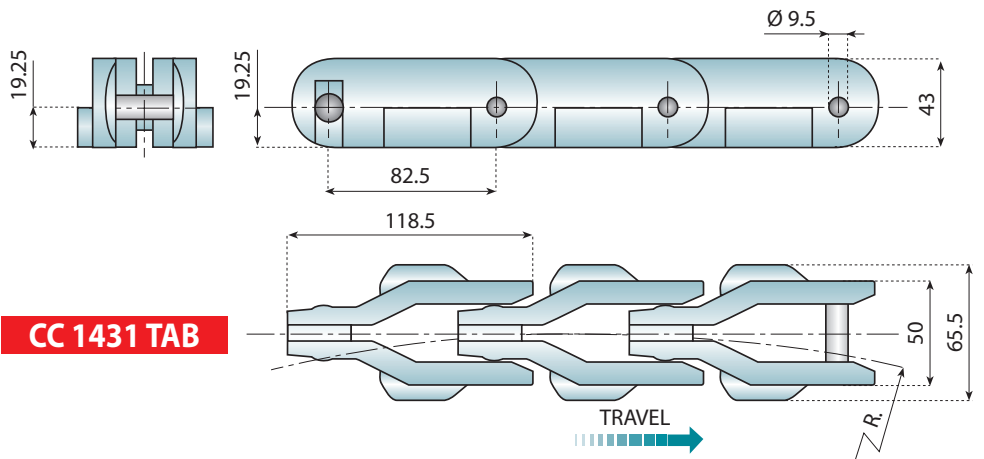
CC 1400



CC 1400 TAB



CC 1431 TAB



Pin Material:

SS: Ferritic Stainless Steel

SS: Austenitic Stainless Steel Riveted

Chain - Ref.	Code	Material		Breaking load N	R min.	Weight Kg/m
		Link	Pin			
CC 1400	11096	W	SS	18.000	660	3.24
CC 1400 TAB	11098					3.44
CC 1431 TAB	11087	3.44				
NG 1400	11097	NG		16.000		3.24
NG 1400 TAB	11099		3.44			
NG 1431 TAB	11088	3.44				
CC 1400 R	11096R	W	SS Riveted	18.000	660	3.24
CC 1400 TAB-R	11098R					3.44
CC 1431 TAB-R	11087R	3.44				
NG 1400 R	11097R	NG		16.000		3.24
NG 1400 TAB-R	11099R		3.44			
NG 1431 TAB-R	11088R	3.44				



Standard length: 37 pitches (10 ft. - 3.053 m)

Breaking Load according to Standard ISO 4348 - DIN 8153

PLASTIC MODULAR CONVEYOR BELT

Series

[2120 FT/VG/FG/VGS](#)

[2122 FG](#)

[2120 LBP](#)

[2120 GB](#)

[2121 H FT](#)

Pages

[88 → 105](#)

[97](#)

[106 → 108](#)

[109](#)

[110 → 111](#)

[2120 NOSE BAR](#)

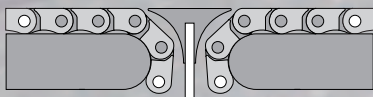
[112](#)

All our straight running belts of the 2120, 2121 and 2122 series have a pitch of 12.7 mm ($\frac{1}{2}$ inch) and a height of 8.7 mm ($1\frac{1}{32}$ inch).

BENEFITS AND FEATURES

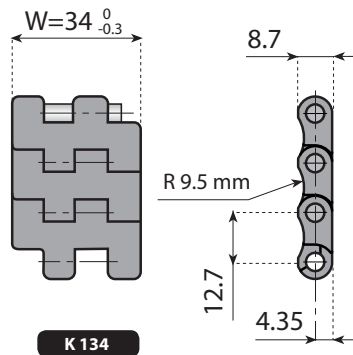
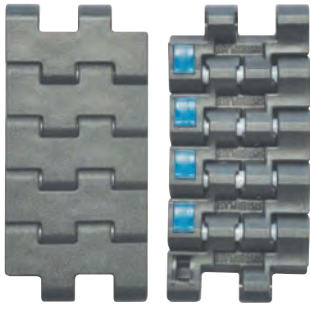
- **EASY INSTALLATION AND MAINTENANCE**
- **HIGH MECHANICAL STRENGTH AND WEAR RESISTANCE**
- **NO GAPS BETWEEN PARALLEL CHAINS**
- **EXCELLENT PRODUCT HANDLING**
- **INSTALLATION ON STANDARD CONVEYORS WITH 85 mm PITCH BETWEEN TRACKS**
- **HIGH PERFORMANCE**
- **SHORT TRANSFERS, POSSIBILITY TO USE NOSE BARS.**

CAN BE USED WITH A NOSE BAR
TO CREATE EXTREMELY SHORT TRANSFERS.

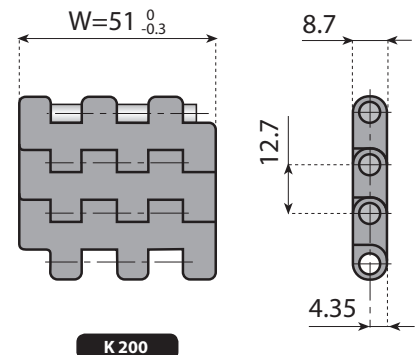


2120 K134 H - 2120 K200 H

FLAT TOP BELTS MINI ONE TRACK



K 134



K 200

Version standard
Pin material: PBT (white)

Standard materials

LFG	NGG
Low Friction Acetal Resin	New Generation



Pages
4→7



Pages
310→311



Pages
312→314



Page
310-311

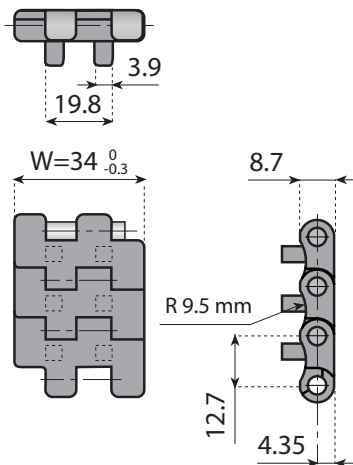
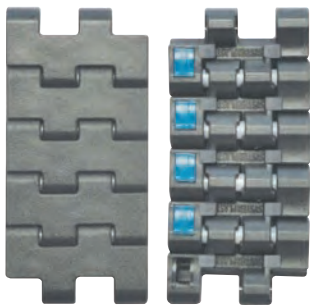


Pages
340→343

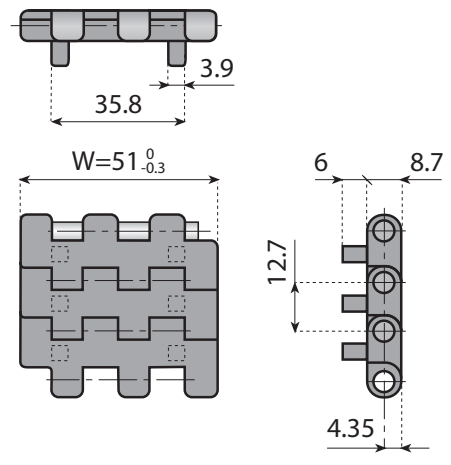
Belts - Ref.	Code	Material	Width W		Pitch P		Backflex radius mm	Max load capacity N	Weight Kg/m ²
			mm	inch	mm	inch			
LFG 2120 K134 H-FT	25053H	LFG Dark Grey	34.0	1.34	12.7	0.50	10	340	8.8
NGG 2120 K134 H-FT	25053H-NGG	NGG Light Grey							
LFG 2120 K200 H-FT	25052H	LFG Dark Grey	51.0	2.0	12.7	0.50	10	765	8.8
NGG 2120 K200 H-FT	25052H-NGG	NGG Light Grey							

2120 K134 H-FTP2 - 2120 K200 H-FTP2

FLAT TOP BELTS MINI ONE TRACK



K 134



K 200

Version with two positioners
Pin material: PBT (white)

Standard materials

LFG	NGG
Low Friction Acetal Resin	New Generation



Pages
4→7



Pages
310→311



Pages
312→314



Page
310-311



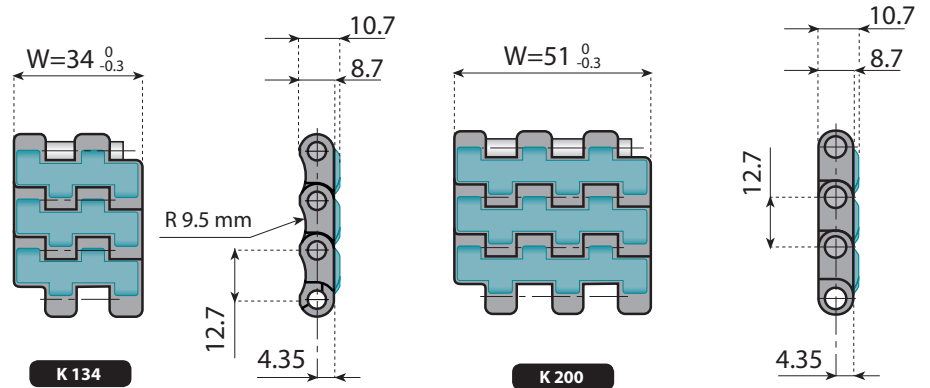
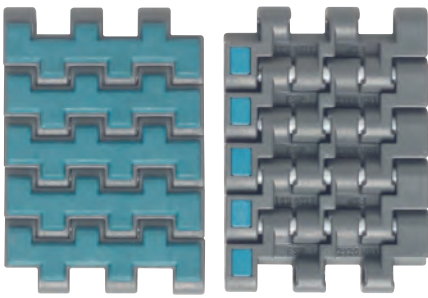
Pages
340→343

Belts - Ref.	Code	Material	Width W		Pitch P		Backflex radius mm	Max load capacity N	Weight Kg/m ²
			mm	inch	mm	inch			
LFG 2120 K134 H-FTP2	25055H	LFG Dark Grey	34.0	1.34	12.7	0.50	10	340	9.0
NGG 2120 K134 H-FTP2	25055H-NGG	NGG Light Grey							
LFG 2120 K200 H-FTP2	25054H	LFG Dark Grey	51.0	2.0	12.7	0.50	10	765	9.0
NGG 2120 K200 H-FTP2	25054H-NGG	NGG Light Grey							

Standard length: 240 pitches (10 ft. - 3.048 m)

GRIP TOP BELTS MINI ONE TRACK WITH HIGH FRICTION SURFACE

VG 2120 K200



Version standard

Rubber material: thermoplastic rubber, waterblue colour

Pin material: PBT (white)

Standard materials

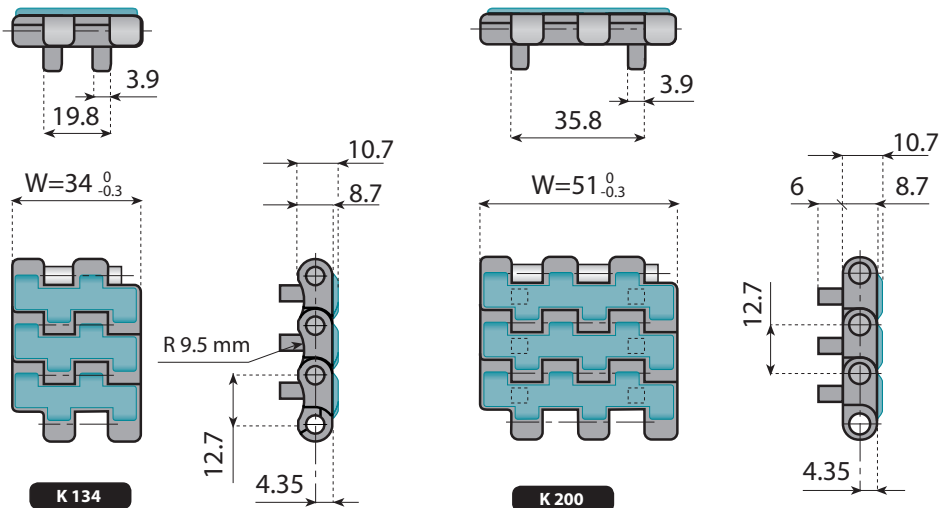
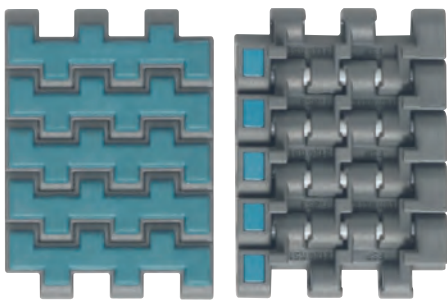
LFG	TPR
Low Friction Acetal Resin	Thermoplastic Rubber

Pages 4→7 |
 Pages 312→314 |
 Page 310-311 |
 Pages 340→343

Belts - Ref.	Code	Material	Width W		Pitch P		Backflex radius mm	Max load capacity N	Weight Kg/m ²
			mm	inch	mm	inch			
VG 2120 K134	261439	LFG Dark Grey	34.0	1.34	12.7	0.50	10	340	8.8
VG 2120 K200	25052H-VG		51.0	2.0	12.7	0.50	20	765	9.3

GRIP TOP BELTS MINI ONE TRACK WITH HIGH FRICTION SURFACE

VG 2120 K200 P2



Version with two positioners

Rubber material: thermoplastic rubber, waterblue colour

Pin material: PBT (white)

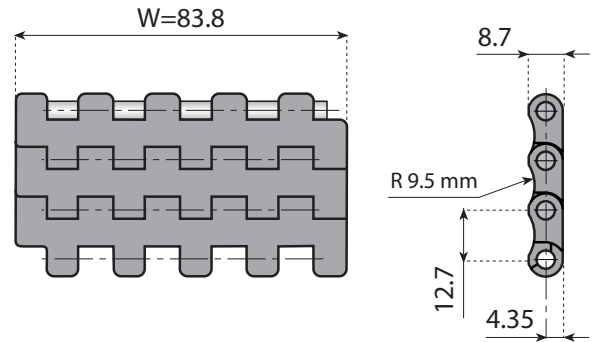
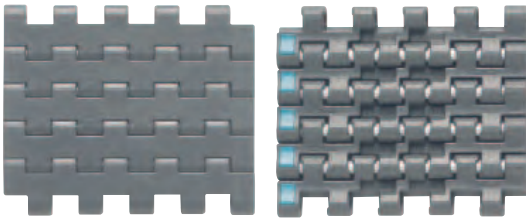
Standard materials

LFG	TPR
Low Friction Acetal Resin	Thermoplastic Rubber

Pages 4→7 |
 Pages 312→314 |
 Page 310-311 |
 Pages 340→343

Belts - Ref.	Code	Material	Width W		Pitch P		Backflex radius mm	Max load capacity N	Weight Kg/m ²
			mm	inch	mm	inch			
VG 2120 K134 P2	261440	LFG Dark Grey	34.0	1.34	12.7	0.50	10	340	9.0
VG 2120 K200 P2	25054H-VG		51.0	2.0	12.7	0.50	20	765	9.5

Standard length: 120 pitches (5 ft. - 1.524 m)



Version standard

Pin material: PBT (white)

Standard materials

LFG	NGG
Low Friction Acetal Resin	New Generation



Pages 4⇒7



Page 312⇒314 +316

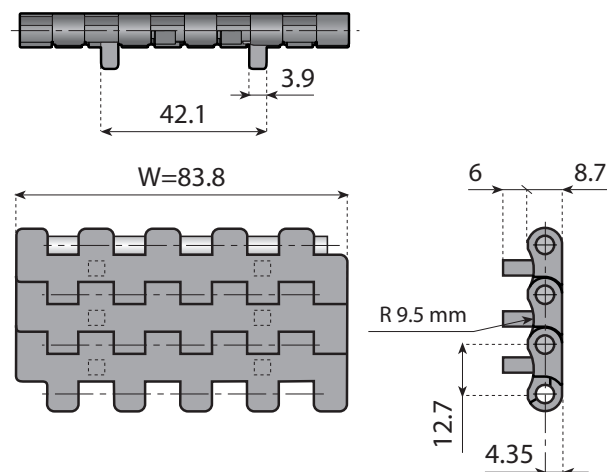
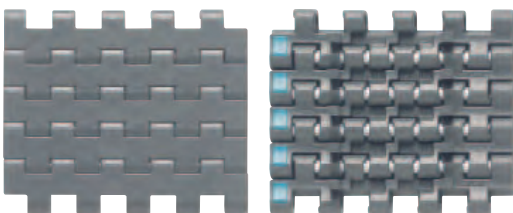


Page 112



Pages 340⇒343

Belts - Ref.	Code	Material	Width W		Pitch P		Backflex radius mm	Max load capacity N	Weight Kg/m ²
			mm	inch	mm	inch			
LFG 2120 K330 H-FT	25040H	LFG Dark Grey	83.8	3.30	12.7	0.50	10	1676	8.8
NGG 2120 K330 H-FT	25040H-NGG	NGG Light Grey							



Version with two positioners

Pin material: PBT (white)

Standard materials

LFG	NGG
Low Friction Acetal Resin	New Generation



Pages 4⇒7



Page 312⇒314 +316



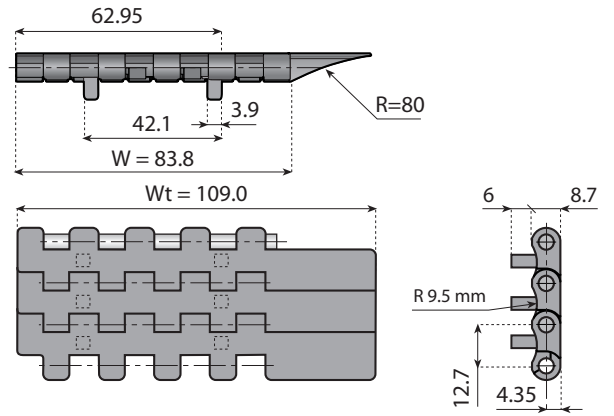
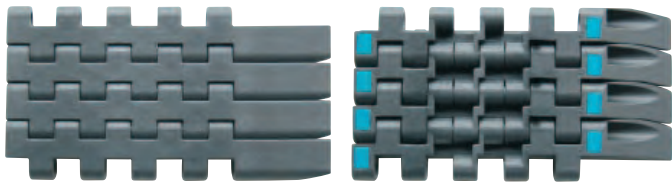
Page 112



Pages 340⇒343

Belts - Ref.	Code	Material	Width W		Pitch P		Backflex radius mm	Max load capacity N	Weight Kg/m ²
			mm	inch	mm	inch			
LFG 2120 K330 H-FTP2	25041H	LFG Dark Grey	83.8	3.30	12.7	0.50	10	1676	8.8
NGG 2120 K330 H-FTP2	25041H-NGG	NGG Light Grey							

Standard length: 240 pitches (10 ft. - 3.048 m)



Version with two positioners and integrated active transfer wing
Pin material: PBT (white)

Standard materials

LFG	NGG
Low Friction Acetal Resin	New Generation



Pages 4⇒7



Page 312⇒314 +316



Page 112



Pages 340⇒343

Belts - Ref.	Code	Material	Width W		Pitch P		Backflex radius mm	Max load capacity N	Weight Kg/m ²
			mm	inch	mm	inch			
LFG 2120 K330 H-FTTP2	25042H	LFG Dark Grey	83.8	3.30	12.7	0.50	15	1676	8.8
NGG 2120 K330 H-FTTP2	25042H-NGG	NGG Light Grey							

Standard length: 240 pitches (10 ft. - 3.048 m)

2120 H-FT

FLAT TOP BELTS (Pitch 1/2" - 12.7 mm)

Version standard

Backflex radius: 10 mm

Max load capacity: 20.000 N/m

Weight: 8.6 Kg/m² (FT), 7.4 Kg/m² (FG)

Pin material: PBT (white)

Standard length:

belt width ≤ 340mm: 3.048m belt length

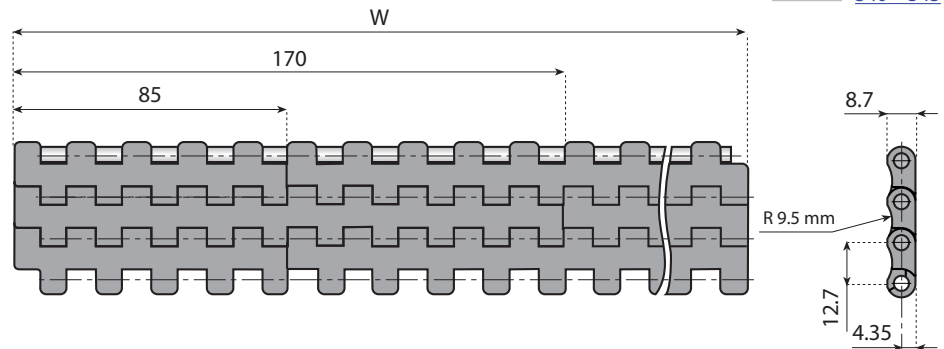
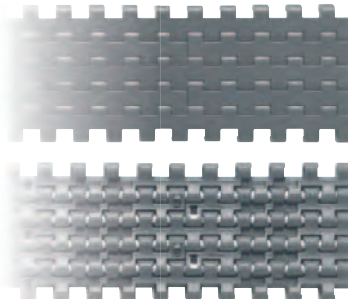
belt width > 340mm, but ≤ 1.700mm: 1.524m belt length

belt width > 1.700mm: belt length on request

Standard materials

LFG	NGG
Low Friction Acetal Resin	New Generation

	Pages 4⇒7
	Page 312⇒314 +316
	Page 112
	Pages 340⇒343



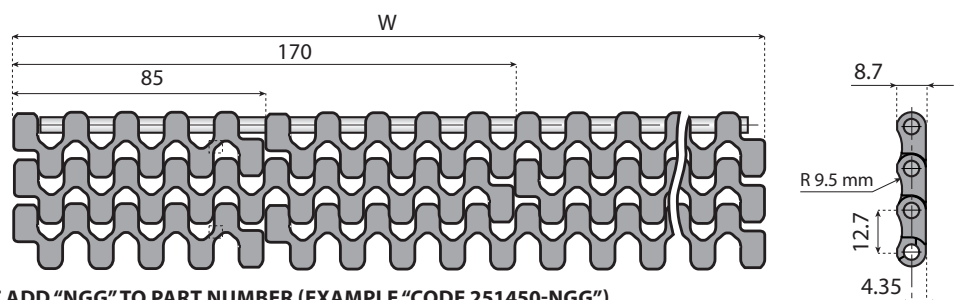
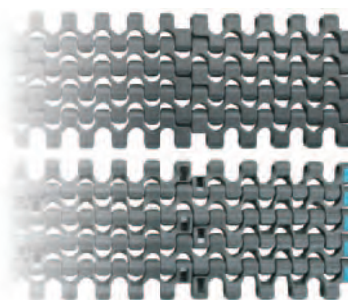
FOR BELTS AVAILABLE IN "NGG" MATERIAL JUST ADD "NGG" TO PART NUMBER (EXAMPLE "CODE 251400H-NGG")

Width W mm	Belts Ref.	Code	Width W mm	Belts Ref.	Code	Width W mm	Belts Ref.	Code	Width W mm	Belts Ref.	Code
85	2120-0085-H-FT	251400H	935	2120-0935-H-FT	251410H	1785	2120-1785-H-FT	251420H	2635	2120-2635-H-FT	251430H
170	2120-0170-H-FT	251401H	1020	2120-1020-H-FT	251411H	1870	2120-1870-H-FT	251421H	2720	2120-2720-H-FT	251431H
255	2120-0255-H-FT	251402H	1105	2120-1105-H-FT	251412H	1955	2120-1955-H-FT	251422H	2805	2120-2805-H-FT	251432H
340	2120-0340-H-FT	251403H	1190	2120-1190-H-FT	251413H	2040	2120-2040-H-FT	251423H	2890	2120-2890-H-FT	251433H
425	2120-0425-H-FT	251404H	1275	2120-1275-H-FT	251414H	2125	2120-2125-H-FT	251424H	2975	2120-2975-H-FT	251434H
510	2120-0510-H-FT	251405H	1360	2120-1360-H-FT	251415H	2210	2120-2210-H-FT	251425H	3060	2120-3060-H-FT	251435H
595	2120-0595-H-FT	251406H	1445	2120-1445-H-FT	251416H	2295	2120-2295-H-FT	251426H	3145	2120-3145-H-FT	251436H
680	2120-0680-H-FT	251407H	1530	2120-1530-H-FT	251417H	2380	2120-2380-H-FT	251427H	3230	2120-3230-H-FT	251437H
765	2120-0765-H-FT	251408H	1615	2120-1615-H-FT	251418H	2465	2120-2465-H-FT	251428H	3315	2120-3315-H-FT	251438H
850	2120-0850-H-FT	251409H	1700	2120-1700-H-FT	251419H	2550	2120-2550-H-FT	251429H	3400	2120-3400-H-FT	251439H

2120 FG

FLUSH GRID BELTS (Pitch 1/2" - 12.7 mm)

Open surface: 21%



FOR BELTS AVAILABLE IN "NGG" MATERIAL JUST ADD "NGG" TO PART NUMBER (EXAMPLE "CODE 251450-NGG")

Width W mm	Belts Ref.	Code	Width W mm	Belts Ref.	Code	Width W mm	Belts Ref.	Code	Width W mm	Belts Ref.	Code
85	2120-0085 FG	251450	935	2120-0935 FG	251460	1785	2120-1785 FG	251470	2635	2120-2635 FG	251480
170	2120-0170 FG	251451	1020	2120-1020 FG	251461	1870	2120-1870 FG	251471	2720	2120-2720 FG	251481
255	2120-0255 FG	251452	1105	2120-1105 FG	251462	1955	2120-1955 FG	251472	2805	2120-2805 FG	251482
340	2120-0340 FG	251453	1190	2120-1190 FG	251463	2040	2120-2040 FG	251473	2890	2120-2890 FG	251483
425	2120-0425 FG	251454	1275	2120-1275 FG	251464	2125	2120-2125 FG	251474	2975	2120-2975 FG	251484
510	2120-0510 FG	251455	1360	2120-1360 FG	251465	2210	2120-2210 FG	251475	3060	2120-3060 FG	251485
595	2120-0595 FG	251456	1445	2120-1445 FG	251466	2295	2120-2295 FG	251476	3145	2120-3145 FG	251486
680	2120-0680 FG	251457	1530	2120-1530 FG	251467	2380	2120-2380 FG	251477	3230	2120-3230 FG	251487
765	2120-0765 FG	251458	1615	2120-1615 FG	251468	2465	2120-2465 FG	251478	3315	2120-3315 FG	251488
850	2120-0850 FG	251459	1700	2120-1700 FG	251469	2550	2120-2550 FG	251479	3400	2120-3400 FG	251489

Other widths available on request.

FLAT TOP BELTS (Pitch 1/2" - 12.7 mm)

2120 H-FTP1

Version standard

Backflex radius: 10 mm

Max load capacity: 20.000 N/m

Weight: 8.6 Kg/m² (FT), 7.4 Kg/m² (FG)

Pin material: PBT (white)

Standard length:

belt width ≤ 340mm: 3.048m belt length

belt width > 340mm, but ≤ 1.700mm: 1.524m belt length

belt width > 1.700mm: belt length on request


Standard materials

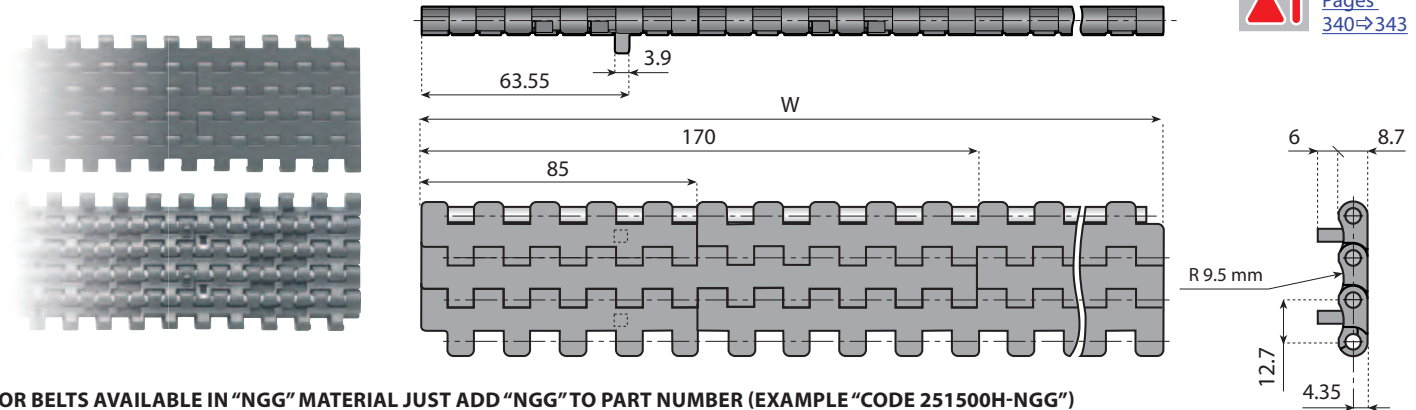
LFG	NGG
Low Friction Acetal Resin	New Generation

MATERIAL [Pages 4⇒7](#)

 [Page 312⇒314 +316](#)

 [Page 112](#)

 [Pages 340⇒343](#)



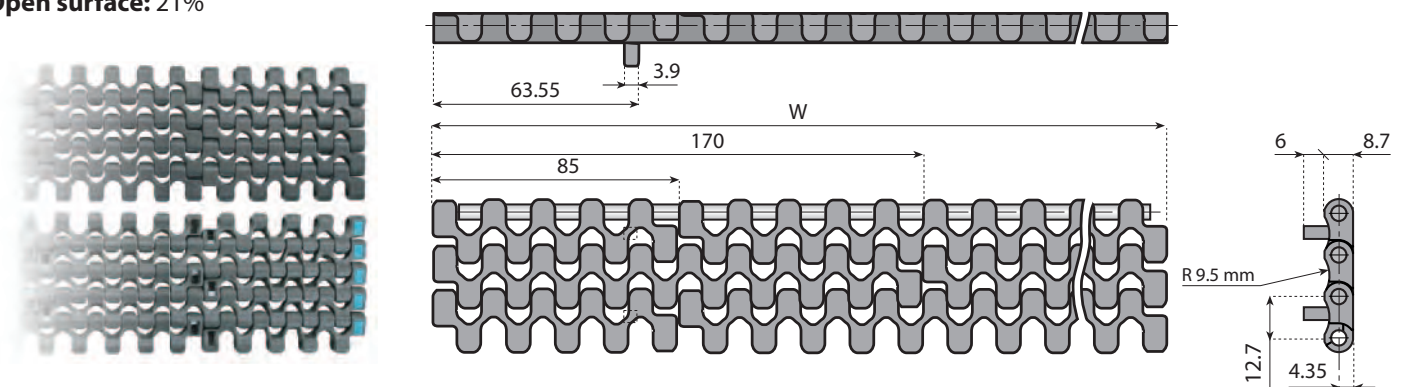
FOR BELTS AVAILABLE IN "NGG" MATERIAL JUST ADD "NGG" TO PART NUMBER (EXAMPLE "CODE 251500H-NGG")

Width W mm	Belts Ref.	Code	Width W mm	Belts Ref.	Code	Width W mm	Belts Ref.	Code	Width W mm	Belts Ref.	Code
85	2120-0085 H-FTP1	251500H	935	2120-0935 H-FTP1	251510H	1785	2120-1785 H-FTP1	251520H	2635	2120-2635 H-FTP1	251530H
170	2120-0170 H-FTP1	251501H	1020	2120-1020 H-FTP1	251511H	1870	2120-1870 H-FTP1	251521H	2720	2120-2720 H-FTP1	251531H
255	2120-0255 H-FTP1	251502H	1105	2120-1105 H-FTP1	251512H	1955	2120-1955 H-FTP1	251522H	2805	2120-2805 H-FTP1	251532H
340	2120-0340 H-FTP1	251503H	1190	2120-1190 H-FTP1	251513H	2040	2120-2040 H-FTP1	251523H	2890	2120-2890 H-FTP1	251533H
425	2120-0425 H-FTP1	251504H	1275	2120-1275 H-FTP1	251514H	2125	2120-2125 H-FTP1	251524H	2975	2120-2975 H-FTP1	251534H
510	2120-0510 H-FTP1	251505H	1360	2120-1360 H-FTP1	251515H	2210	2120-2210 H-FTP1	251525H	3060	2120-3060 H-FTP1	251535H
595	2120-0595 H-FTP1	251506H	1445	2120-1445 H-FTP1	251516H	2295	2120-2295 H-FTP1	251526H	3145	2120-3145 H-FTP1	251536H
680	2120-0680 H-FTP1	251507H	1530	2120-1530 H-FTP1	251517H	2380	2120-2380 H-FTP1	251527H	3230	2120-3230 H-FTP1	251537H
765	2120-0765 H-FTP1	251508H	1615	2120-1615 H-FTP1	251518H	2465	2120-2465 H-FTP1	251528H	3315	2120-3315 H-FTP1	251538H
850	2120-0850 H-FTP1	251509H	1700	2120-1700 H-FTP1	251519H	2550	2120-2550 H-FTP1	251529H	3400	2120-3400 H-FTP1	251539H

FLUSH GRID BELTS (Pitch 1/2" - 12.7 mm)

2120 FGP1

Open surface: 21%



FOR BELTS AVAILABLE IN "NGG" MATERIAL JUST ADD "NGG" TO PART NUMBER (EXAMPLE "CODE 251550-NGG")

Width W mm	Belts Ref.	Code	Width W mm	Belts Ref.	Code	Width W mm	Belts Ref.	Code	Width W mm	Belts Ref.	Code
85	2120-0085 FGP1	251550	935	2120-0935 FGP1	251560	1785	2120-1785 FGP1	251570	2635	2120-2635 FGP1	251580
170	2120-0170 FGP1	251551	1020	2120-1020 FGP1	251561	1870	2120-1870 FGP1	251571	2720	2120-2720 FGP1	251581
255	2120-0255 FGP1	251552	1105	2120-1105 FGP1	251562	1955	2120-1955 FGP1	251572	2805	2120-2805 FGP1	251582
340	2120-0340 FGP1	251553	1190	2120-1190 FGP1	251563	2040	2120-2040 FGP1	251573	2890	2120-2890 FGP1	251583
425	2120-0425 FGP1	251554	1275	2120-1275 FGP1	251564	2125	2120-2125 FGP1	251574	2975	2120-2975 FGP1	251584
510	2120-0510 FGP1	251555	1360	2120-1360 FGP1	251565	2210	2120-2210 FGP1	251575	3060	2120-3060 FGP1	251585
595	2120-0595 FGP1	251556	1445	2120-1445 FGP1	251566	2295	2120-2295 FGP1	251576	3145	2120-3145 FGP1	251586
680	2120-0680 FGP1	251557	1530	2120-1530 FGP1	251567	2380	2120-2380 FGP1	251577	3230	2120-3230 FGP1	251587
765	2120-0765 FGP1	251558	1615	2120-1615 FGP1	251568	2465	2120-2465 FGP1	251578	3315	2120-3315 FGP1	251588
850	2120-0850 FGP1	251559	1700	2120-1700 FGP1	251569	2550	2120-2550 FGP1	251579	3400	2120-3400 FGP1	251589

Other widths available on request.

2120 H-FTP2B

FLAT TOP BELTS (Pitch 1/2" - 12.7 mm)

Version standard

Backflex radius: 10 mm

Max load capacity: 20.000 N/m

Weight: 8.6 Kg/m² (FT), 7.4 Kg/m² (FG)

Pin material: PBT (white)

Standard length:

belt width ≤ 340mm: 3.048m belt length

belt width > 340mm, but ≤ 1.700mm: 1.524m belt length

belt width > 1.700mm: belt length on request

Standard materials

LFG	NGG
Low Friction Acetal Resin	New Generation



Pages 4⇒7



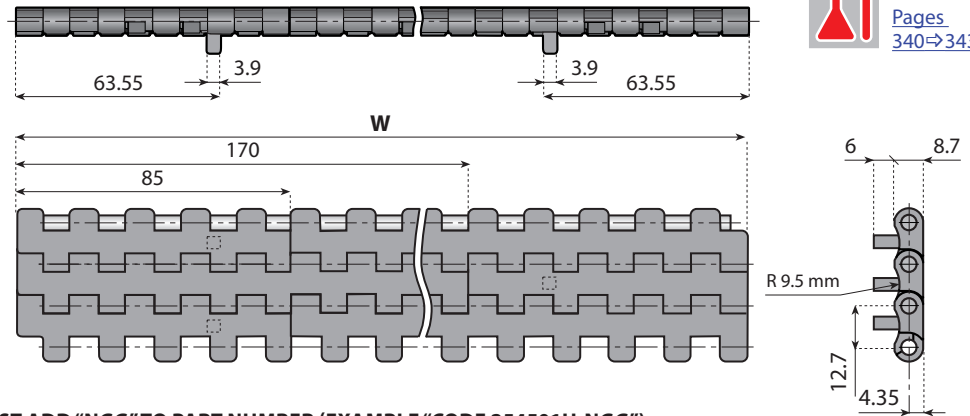
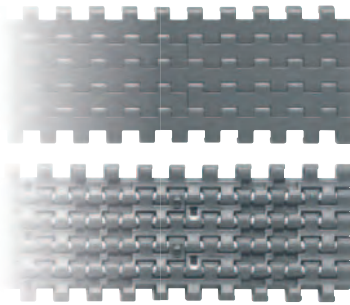
Page 312⇒314 +316



Page 112



Pages 340⇒343



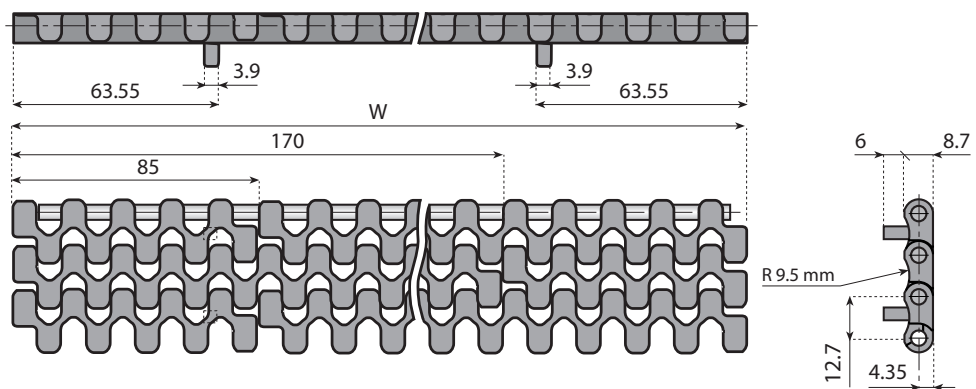
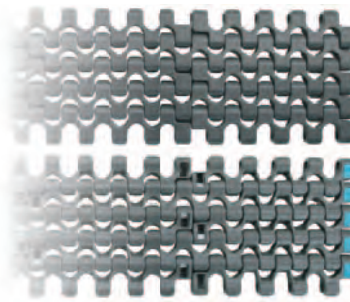
FOR BELTS AVAILABLE IN "NGG" MATERIAL JUST ADD "NGG" TO PART NUMBER (EXAMPLE "CODE 254501H-NGG")

Width W mm	Belts Ref.	Code	Width W mm	Belts Ref.	Code	Width W mm	Belts Ref.	Code	Width W mm	Belts Ref.	Code
85	-	-	935	2120-0935 H-FTP2B	254510H	1785	2120-1785 H-FTP2B	254520H	2635	2120-2635 H-FTP2B	254530H
170	2120-0170 H-FTP2B	254501H	1020	2120-1020 H-FTP2B	254511H	1870	2120-1870 H-FTP2B	254521H	2720	2120-2720 H-FTP2B	254531H
255	2120-0255H-FTP2B	254502H	1105	2120-1105 H-FTP2B	254512H	1955	2120-1955 H-FTP2B	254522H	2805	2120-2805 H-FTP2B	254532H
340	2120-0340 H-FTP2B	254503H	1190	2120-1190 H-FTP2B	254513H	2040	2120-2040 H-FTP2B	254523H	2890	2120-2890 H-FTP2B	254533H
425	2120-0425 H-FTP2B	254504H	1275	2120-1275 H-FTP2B	254514H	2125	2120-2125 H-FTP2B	254524H	2975	2120-2975 H-FTP2B	254534H
510	2120-0510 H-FTP2B	254505H	1360	2120-1360 H-FTP2B	254515H	2210	2120-2210 H-FTP2B	254525H	3060	2120-3060 H-FTP2B	254535H
595	2120-0595 H-FTP2B	254506H	1445	2120-1445 H-FTP2B	254516H	2295	2120-2295 H-FTP2B	254526H	3145	2120-3145 H-FTP2B	254536H
680	2120-0680 H-FTP2B	254507H	1530	2120-1530 H-FTP2B	254517H	2380	2120-2380 H-FTP2B	254527H	3230	2120-3230 H-FTP2B	254537H
765	2120-0765 H-FTP2B	254508H	1615	2120-1615 H-FTP2B	254518H	2465	2120-2465 H-FTP2B	254528H	3315	2120-3315 H-FTP2B	254538H
850	2120-0850 H-FTP2B	254509H	1700	2120-1700 H-FTP2B	254519H	2550	2120-2550 H-FTP2B	254529H	3400	2120-3400 H-FTP2B	254539H

2120 FGP2B

FLUSH GRID BELTS (Pitch 1/2" - 12.7 mm)

Open surface: 21%



FOR BELTS AVAILABLE IN "NGG" MATERIAL JUST ADD "NGG" TO PART NUMBER (EXAMPLE "CODE 254551-NGG")

Width W mm	Belts Ref.	Code	Width W mm	Belts Ref.	Code	Width W mm	Belts Ref.	Code	Width W mm	Belts Ref.	Code
85	-	-	935	2120-0935 FGP2B	254560	1785	2120-1785 FGP2B	254570	2635	2120-2635 FGP2B	254580
170	2120-0170 FGP2B	254551	1020	2120-1020 FGP2B	254561	1870	2120-1870 FGP2B	254571	2720	2120-2720 FGP2B	254581
255	2120-0255 FGP2B	254552	1105	2120-1105 FGP2B	254562	1955	2120-1955 FGP2B	254572	2805	2120-2805 FGP2B	254582
340	2120-0340 FGP2B	254553	1190	2120-1190 FGP2B	254563	2040	2120-2040 FGP2B	254573	2890	2120-2890 FGP2B	254583
425	2120-0425 FGP2B	254554	1275	2120-1275 FGP2B	254564	2125	2120-2125 FGP2B	254574	2975	2120-2975 FGP2B	254584
510	2120-0510 FGP2B	254555	1360	2120-1360 FGP2B	254565	2210	2120-2210 FGP2B	254575	3060	2120-3060 FGP2B	254585
595	2120-0595 FGP2B	254556	1445	2120-1445 FGP2B	254566	2295	2120-2295 FGP2B	254576	3145	2120-3145 FGP2B	254586
680	2120-0680 FGP2B	254557	1530	2120-1530 FGP2B	254567	2380	2120-2380 FGP2B	254577	3230	2120-3230 FGP2B	254587
765	2120-0765 FGP2B	254558	1615	2120-1615 FGP2B	254568	2465	2120-2465 FGP2B	254578	3315	2120-3315 FGP2B	254588
850	2120-0850 FGP2B	254559	1700	2120-1700 FGP2B	254569	2550	2120-2550 FGP2B	254579	3400	2120-3400 FGP2B	254589

FLAT TOP BELTS (Pitch 1/2" - 12.7 mm)

2120 H-FTP2

Version standard

Backflex radius: 10 mm

Max load capacity: 20.000 N/m

Weight: 8.6 Kg/m² (FT), 7.4 Kg/m² (FG)

Pin material: PBT (white)

Standard length:

belt width ≤ 340mm: 3.048m belt length

belt width > 340mm, but ≤ 1.700mm: 1.524m belt length

belt width > 1.700mm: belt length on request

Standard materials

LFG	NGG
Low Friction Acetal Resin	New Generation



Pages
4⇒7



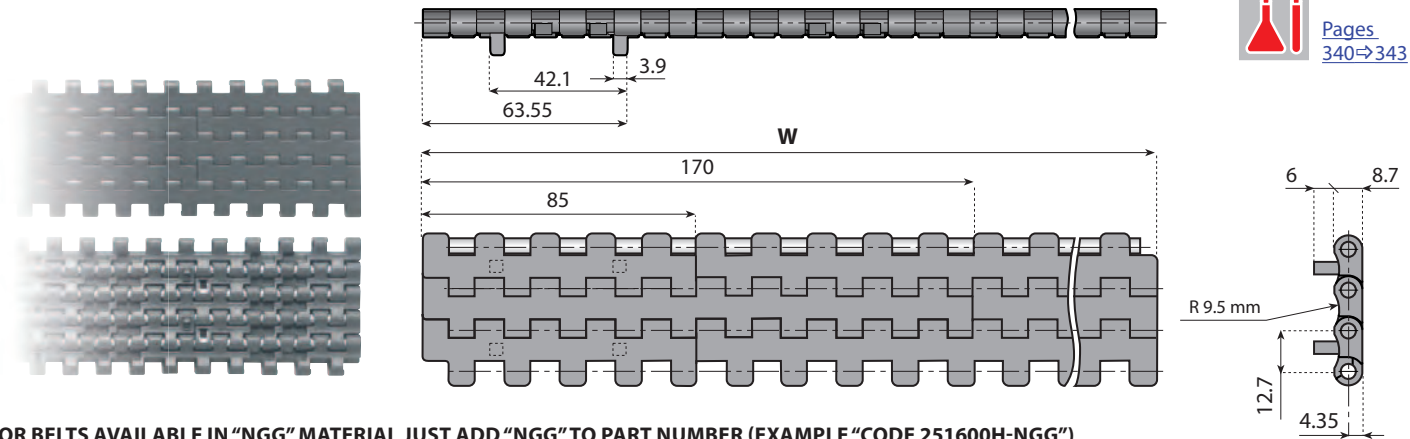
Page
312⇒314
+316



Page
112



Pages
340⇒343



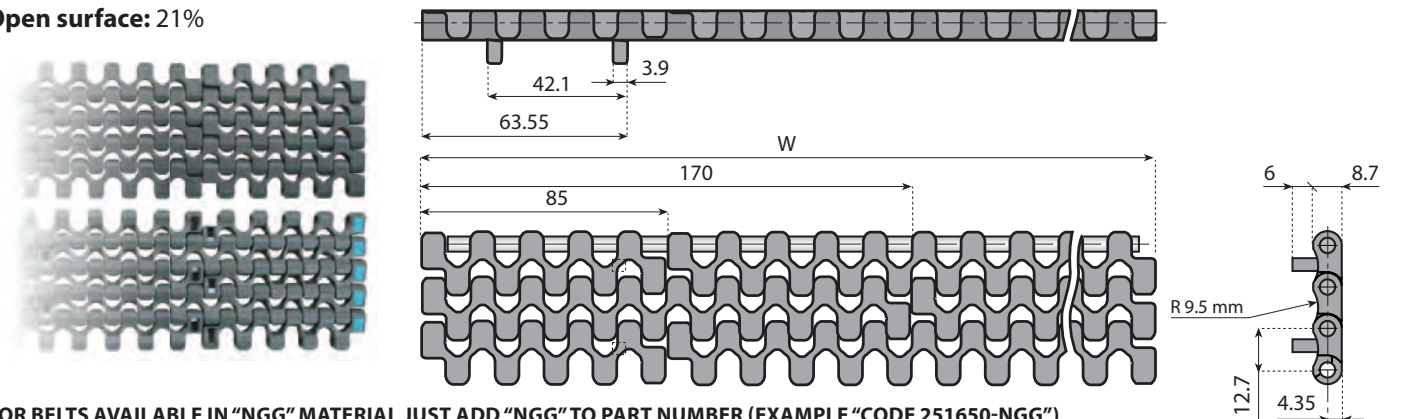
FOR BELTS AVAILABLE IN "NGG" MATERIAL JUST ADD "NGG" TO PART NUMBER (EXAMPLE "CODE 251600H-NGG")

Width W mm	Belts Ref.	Code	Width W mm	Belts Ref.	Code	Width W mm	Belts Ref.	Code	Width W mm	Belts Ref.	Code
85	2120-0085 H-FTP2	251600H	935	2120-0935 H-FTP2	251610H	1785	2120-1785 H-FTP2	251620H	2635	2120-2635 H-FTP2	251630H
170	2120-0170 H-FTP2	251601H	1020	2120-1020 H-FTP2	251611H	1870	2120-1870 H-FTP2	251621H	2720	2120-2720 H-FTP2	251631H
255	2120-0255H-FTP2	251602H	1105	2120-1105 H-FTP2	251612H	1955	2120-1955 H-FTP2	251622H	2805	2120-2805 H-FTP2	251632H
340	2120-0340 H-FTP2	251603H	1190	2120-1190 H-FTP2	251613H	2040	2120-2040 H-FTP2	251623H	2890	2120-2890 H-FTP2	251633H
425	2120-0425 H-FTP2	251604H	1275	2120-1275 H-FTP2	251614H	2125	2120-2125 H-FTP2	251624H	2975	2120-2975 H-FTP2	251634H
510	2120-0510 H-FTP2	251605H	1360	2120-1360 H-FTP2	251615H	2210	2120-2210 H-FTP2	251625H	3060	2120-3060 H-FTP2	251635H
595	2120-0595 H-FTP2	251606H	1445	2120-1445 H-FTP2	251616H	2295	2120-2295 H-FTP2	251626H	3145	2120-3145 H-FTP2	251636H
680	2120-0680 H-FTP2	251607H	1530	2120-1530 H-FTP2	251617H	2380	2120-2380 H-FTP2	251627H	3230	2120-3230 H-FTP2	251637H
765	2120-0765 H-FTP2	251608H	1615	2120-1615 H-FTP2	251618H	2465	2120-2465 H-FTP2	251628H	3315	2120-3315 H-FTP2	251638H
850	2120-0850 H-FTP2	251609H	1700	2120-1700 H-FTP2	251619H	2550	2120-2550 H-FTP2	251629H	3400	2120-3400 H-FTP2	251639H

FLUSH GRID BELTS (Pitch 1/2" - 12.7 mm)

2120 FGP2

Open surface: 21%



FOR BELTS AVAILABLE IN "NGG" MATERIAL JUST ADD "NGG" TO PART NUMBER (EXAMPLE "CODE 251650-NGG")

Width W mm	Belts Ref.	Code	Width W mm	Belts Ref.	Code	Width W mm	Belts Ref.	Code	Width W mm	Belts Ref.	Code
85	2120-0085 FGP2	251650	935	2120-0935 FGP2	251660	1785	2120-1785 FGP2	251670	2635	2120-2635 FGP2	251680
170	2120-0170 FGP2	251651	1020	2120-1020 FGP2	251661	1870	2120-1870 FGP2	251671	2720	2120-2720 FGP2	251681
255	2120-0255 FGP2	251652	1105	2120-1105 FGP2	251662	1955	2120-1955 FGP2	251672	2805	2120-2805 FGP2	251682
340	2120-0340 FGP2	251653	1190	2120-1190 FGP2	251663	2040	2120-2040 FGP2	251673	2890	2120-2890 FGP2	251683
425	2120-0425 FGP2	251654	1275	2120-1275 FGP2	251664	2125	2120-2125 FGP2	251674	2975	2120-2975 FGP2	251684
510	2120-0510 FGP2	251655	1360	2120-1360 FGP2	251665	2210	2120-2210 FGP2	251675	3060	2120-3060 FGP2	251685
595	2120-0595 FGP2	251656	1445	2120-1445 FGP2	251666	2295	2120-2295 FGP2	251676	3145	2120-3145 FGP2	251686
680	2120-0680 FGP2	251657	1530	2120-1530 FGP2	251667	2380	2120-2380 FGP2	251677	3230	2120-3230 FGP2	251687
765	2120-0765 FGP2	251658	1615	2120-1615 FGP2	251668	2465	2120-2465 FGP2	251678	3315	2120-3315 FGP2	251688
850	2120-0850 FGP2	251659	1700	2120-1700 FGP2	251669	2550	2120-2550 FGP2	251679	3400	2120-3400 FGP2	251689

Other widths available on request.

2120 H-FTP2BD

FLAT TOP BELTS (Pitch 1/2" - 12.7 mm)

Version standard

Backflex radius: 10 mm

Max load capacity: 20.000 N/m

Weight: 8.6 Kg/m² (FT), 7.4 Kg/m² (FG)

Pin material: PBT (white)

Standard length:

belt width ≤ 340mm: 3.048m belt length

belt width > 340mm, but ≤ 1.700mm: 1.524m belt length

belt width > 1.700mm: belt length on request

Standard materials

LFG	NGG
Low Friction Acetal Resin	New Generation



Pages
4⇒7



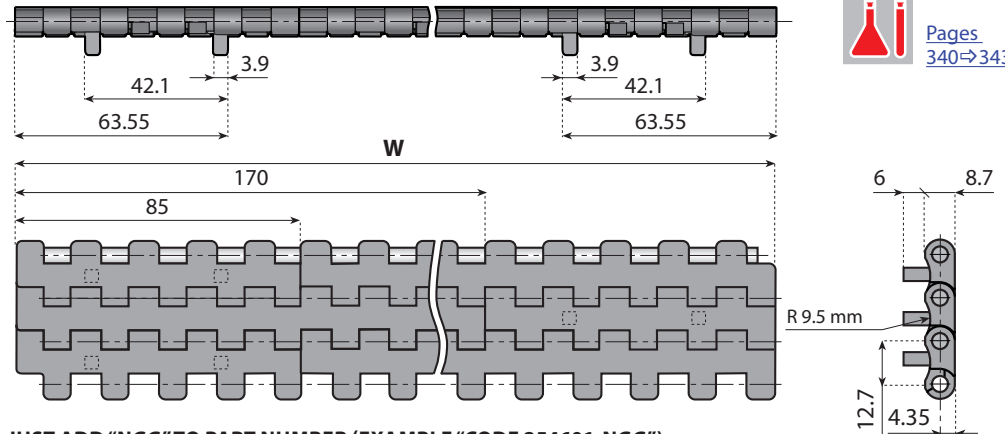
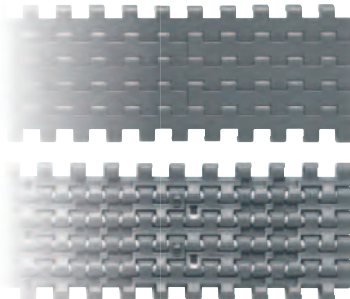
Page
312⇒314
+316



Page
112



Pages
340⇒343



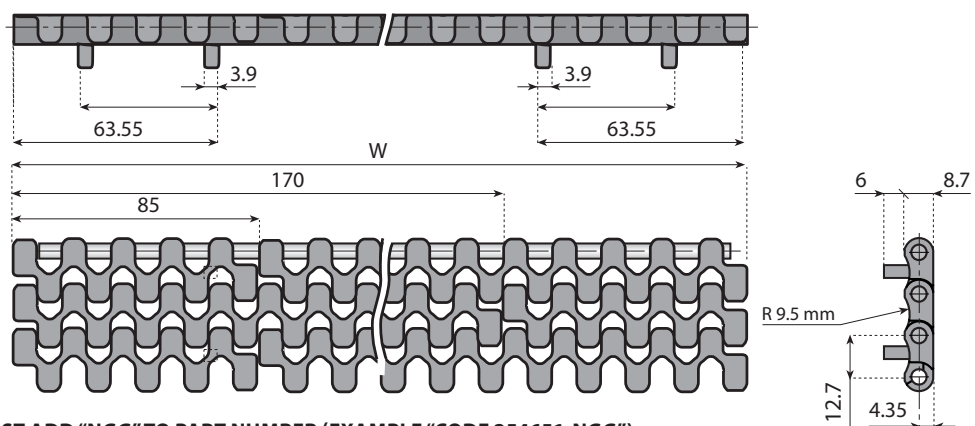
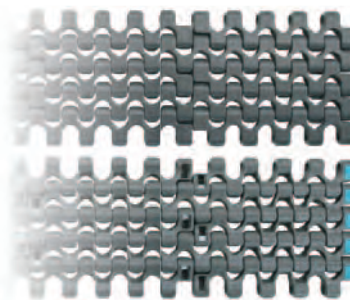
FOR BELTS AVAILABLE IN "NGG" MATERIAL JUST ADD "NGG" TO PART NUMBER (EXAMPLE "CODE 254601-NGG")

Width W mm	Belts Ref.	Code	Width W mm	Belts Ref.	Code	Width W mm	Belts Ref.	Code	Width W mm	Belts Ref.	Code
85	-	-	935	2120-0935 H-FTP2BD	254610H	1785	2120-1785 H-FTP2BD	254620H	2635	2120-2635 H-FTP2BD	254630H
170	2120-0170 H-FTP2BD	254601H	1020	2120-1020 H-FTP2BD	254611H	1870	2120-1870 H-FTP2BD	254621H	2720	2120-2720 H-FTP2BD	254631H
255	2120-0255 H-FTP2BD	254602H	1105	2120-1105 H-FTP2BD	254612H	1955	2120-1955 H-FTP2BD	254622H	2805	2120-2805 H-FTP2BD	254632H
340	2120-0340 H-FTP2BD	254603H	1190	2120-1190 H-FTP2BD	254613H	2040	2120-2040 H-FTP2BD	254623H	2890	2120-2890 H-FTP2BD	254633H
425	2120-0425 H-FTP2BD	254604H	1275	2120-1275 H-FTP2BD	254614H	2125	2120-2125 H-FTP2BD	254624H	2975	2120-2975 H-FTP2BD	254634H
510	2120-0510 H-FTP2BD	254605H	1360	2120-1360 H-FTP2BD	254615H	2210	2120-2210 H-FTP2BD	254625H	3060	2120-3060 H-FTP2BD	254635H
595	2120-0595 H-FTP2BD	254606H	1445	2120-1445 H-FTP2BD	254616H	2295	2120-2295 H-FTP2BD	254626H	3145	2120-3145 H-FTP2BD	254636H
680	2120-0680 H-FTP2BD	254607H	1530	2120-1530 H-FTP2BD	254617H	2380	2120-2380 H-FTP2BD	254627H	3230	2120-3230 H-FTP2BD	254637H
765	2120-0765 H-FTP2BD	254608H	1615	2120-1615 H-FTP2BD	254618H	2465	2120-2465 H-FTP2BD	254628H	3315	2120-3315 H-FTP2BD	254638H
850	2120-0850 H-FTP2BD	254609H	1700	2120-1700 H-FTP2BD	254619H	2550	2120-2550 H-FTP2BD	254629H	3400	2120-3400 H-FTP2BD	254639H

2120 FGP2BD

FLUSH GRID BELTS (Pitch 1/2" - 12.7 mm)

Open surface: 21%



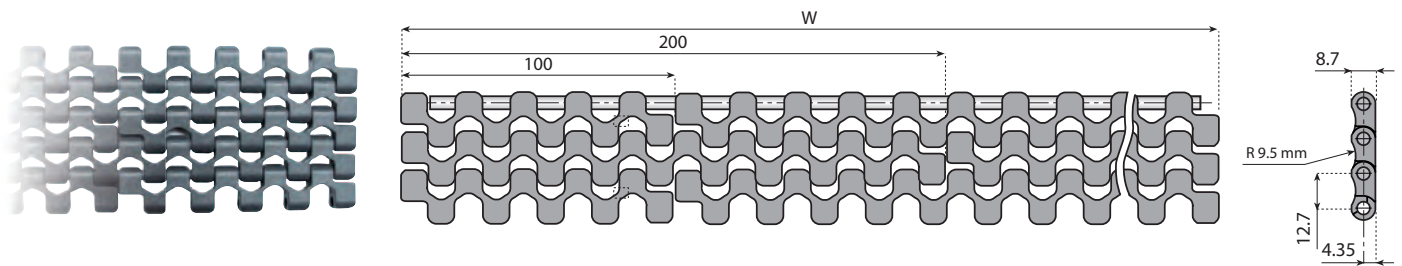
FOR BELTS AVAILABLE IN "NGG" MATERIAL JUST ADD "NGG" TO PART NUMBER (EXAMPLE "CODE 254651-NGG")

Width W mm	Belts Ref.	Code	Width W mm	Belts Ref.	Code	Width W mm	Belts Ref.	Code	Width W mm	Belts Ref.	Code
85	-	-	935	2120-0935 FGP2BD	254660	1785	2120-1785 FGP2BD	254670	2635	2120-2635 FGP2BD	254680
170	2120-0170 FGP2BD	254651	1020	2120-1020 FGP2BD	254661	1870	2120-1870 FGP2BD	254671	2720	2120-2720 FGP2BD	254681
255	2120-0255 FGP2BD	254652	1105	2120-1105 FGP2BD	254662	1955	2120-1955 FGP2BD	254672	2805	2120-2805 FGP2BD	254682
340	2120-0340 FGP2BD	254653	1190	2120-1190 FGP2BD	254663	2040	2120-2040 FGP2BD	254673	2890	2120-2890 FGP2BD	254683
425	2120-0425 FGP2BD	254654	1275	2120-1275 FGP2BD	254664	2125	2120-2125 FGP2BD	254674	2975	2120-2975 FGP2BD	254684
510	2120-0510 FGP2BD	254655	1360	2120-1360 FGP2BD	254665	2210	2120-2210 FGP2BD	254675	3060	2120-3060 FGP2BD	254685
595	2120-0595 FGP2BD	254656	1445	2120-1445 FGP2BD	254666	2295	2120-2295 FGP2BD	254676	3145	2120-3145 FGP2BD	254686
680	2120-0680 FGP2BD	254657	1530	2120-1530 FGP2BD	254667	2380	2120-2380 FGP2BD	254677	3230	2120-3230 FGP2BD	254687
765	2120-0765 FGP2BD	254658	1615	2120-1615 FGP2BD	254668	2465	2120-2465 FGP2BD	254678	3315	2120-3315 FGP2BD	254688
850	2120-0850 FGP2BD	254659	1700	2120-1700 FGP2BD	254669	2550	2120-2550 FGP2BD	254679	3400	2120-3400 FGP2BD	254689

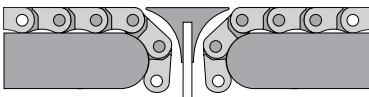
2122 FG belts are similar to 2120FG belts. The difference is the width of the modules. Standard increments are 100 mm. Special widths can be created on request in steps of 20 mm.

Open surface: 21%

	Pages 4⇒7
	Pages 315⇒316
	Page 112
	Pages 340⇒343



CAN BE USED WITH A NOSE BAR TO CREATE EXTREMELY SHORT TRANSFERS.



Version standard

Backflex radius: 10 mm

Max load capacity: 20.000 N/m

Weight: 6.8 Kg/m²

Pin material: PBT (white)

Standard length:

belt width ≤ 0.400mm: 3.048m belt length

belt width > 0.400mm, but ≤ 1.700mm: 1.524m belt length

belt width > 1.700mm: belt length on request

Standard materials

LFG	NGG
Low Friction Acetal Resin	New Generation

FOR BELTS AVAILABLE IN "NGG" MATERIAL JUST ADD "NGG" TO PART NUMBER (EXAMPLE "CODE 26501-NGG")

Width W mm	Belts Ref.	Code	Width W mm	Belts Ref.	Code	Width W mm	Belts Ref.	Code
100	2122-0100 FG	26501	1100	2122-1100 FG	26511	2100	2122-2100 FG	26521
200	2122-0200 FG	26502	1200	2122-1200 FG	26512	2200	2122-2200 FG	26522
300	2122-0300 FG	26503	1300	2122-1300 FG	26513	2300	2122-2300 FG	26523
400	2122-0400 FG	26504	1400	2122-1400 FG	26514	2400	2122-2400 FG	26524
500	2122-0500 FG	26505	1500	2122-1500 FG	26515	2500	2122-2500 FG	26525
600	2122-0600 FG	26506	1600	2122-1600 FG	26516	2600	2122-2600 FG	26526
700	2122-0700 FG	26507	1700	2122-1700 FG	26517	2700	2122-2700 FG	26527
800	2122-0800 FG	26508	1800	2122-1800 FG	26518	2800	2122-2800 FG	26528
900	2122-0900 FG	26509	1900	2122-1900 FG	26519	2900	2122-2900 FG	26529
1000	2122-1000 FG	26510	2000	2122-2000 FG	26520	3000	2122-3000 FG	26530

Other widths available on request.



Pages 4⇒7



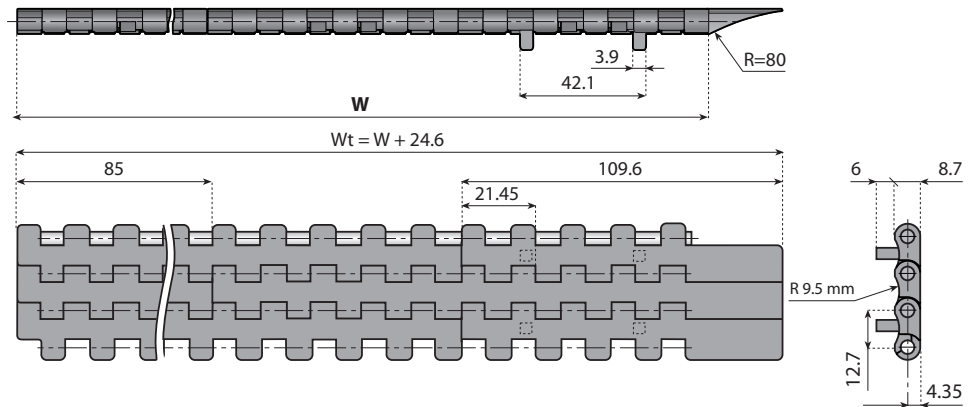
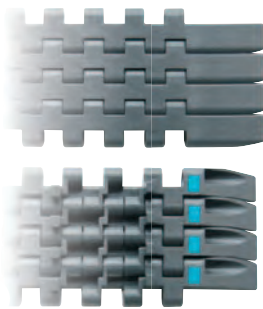
Page 312⇒314 +316



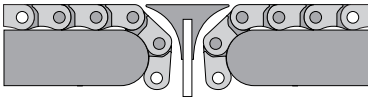
Page 112



Pages 340⇒343



CAN BE USED WITH A NOSE BAR TO CREATE EXTREMELY SHORT TRANSFERS.



Version standard

Backflex radius: 15 mm

Max load capacity: 20.000 N/m

Weight: 8.6 Kg/m²(FT)

Pin material: PBT (white)

Standard length:

belt width ≤ 340mm: 3.048m belt length

belt width > 340mm, but ≤ 1.700mm: 1.524m belt length

belt width > 1.700mm: belt length on request

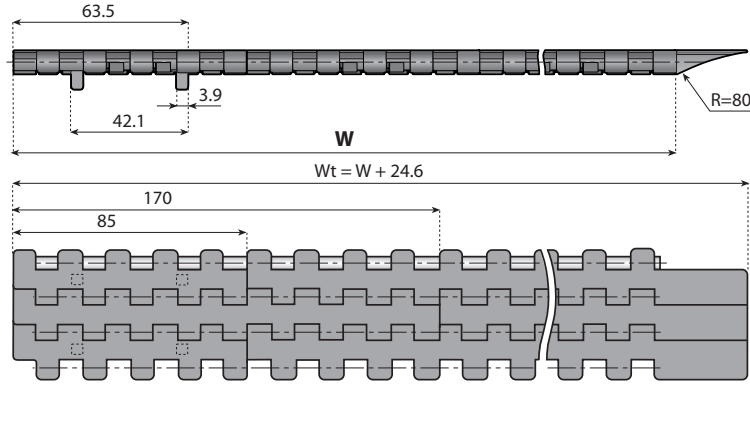
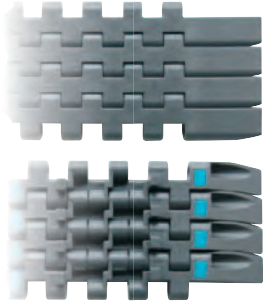
Standard materials

LFG	NGG
Low Friction Acetal Resin	New Generation

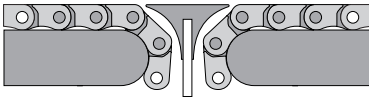
FOR BELTS AVAILABLE IN "NGG" MATERIAL JUST ADD "NGG" TO PART NUMBER (EXAMPLE "CODE 251700H-NGG")

Width W mm	Belts Ref.	Code	Width W mm	Belts Ref.	Code	Width W mm	Belts Ref.	Code	Width W mm	Belts Ref.	Code
85	2120-0085 H-FTTP2	251700H	935	2120-0935 H-FTTP2	251710H	1785	2120-1785 H-FTTP2	251720H	2635	2120-2635 H-FTTP2	251730H
170	2120-0170 H-FTTP2	251701H	1020	2120-1020 H-FTTP2	251711H	1870	2120-1870 H-FTTP2	251721H	2720	2120-2720 H-FTTP2	251731H
255	2120-0255 H-FTTP2	251702H	1105	2120-1105 H-FTTP2	251712H	1955	2120-1955 H-FTTP2	251722H	2805	2120-2805 H-FTTP2	251732H
340	2120-0340 H-FTTP2	251703H	1190	2120-1190 H-FTTP2	251713H	2040	2120-2040 H-FTTP2	251723H	2890	2120-2890 H-FTTP2	251733H
425	2120-0425 H-FTTP2	251704H	1275	2120-1275 H-FTTP2	251714H	2125	2120-2125 H-FTTP2	251724H	2975	2120-2975 H-FTTP2	251734H
510	2120-0510 H-FTTP2	251705H	1360	2120-1360 H-FTTP2	251715H	2210	2120-2210 H-FTTP2	251725H	3060	2120-3060 H-FTTP2	251735H
595	2120-0595 H-FTTP2	251706H	1445	2120-1445 H-FTTP2	251716H	2295	2120-2295 H-FTTP2	251726H	3145	2120-3145 H-FTTP2	251736H
680	2120-0680 H-FTTP2	251707H	1530	2120-1530 H-FTTP2	251717H	2380	2120-2380 H-FTTP2	251727H	3230	2120-3230 H-FTTP2	251737H
765	2120-0765 H-FTTP2	251708H	1615	2120-1615 H-FTTP2	251718H	2465	2120-2465 H-FTTP2	251728H	3315	2120-3315 H-FTTP2	251738H
850	2120-0850 H-FTTP2	251709H	1700	2120-1700 H-FTTP2	251719H	2550	2120-2550 H-FTTP2	251729H	3400	2120-3400 H-FTTP2	251739H

	Pages 4⇒7
	Page 312⇒314 +316
	Page 112
	Pages 340⇒343



CAN BE USED WITH A NOSE BAR
TO CREATE EXTREMELY SHORT TRANSFERS.



Version with two positioners and integrated active transfer wing

Backflex radius: 15 mm
Max load capacity: 20.000 N/m
Weight: 8.6 Kg/m² (FT)
Pin material: PBT (white)

Standard length:
belt width ≤ 340mm: 3.048m belt length
belt width > 340mm, but ≤ 1.700mm: 1.524m belt length
belt width > 1.700mm: belt length on request

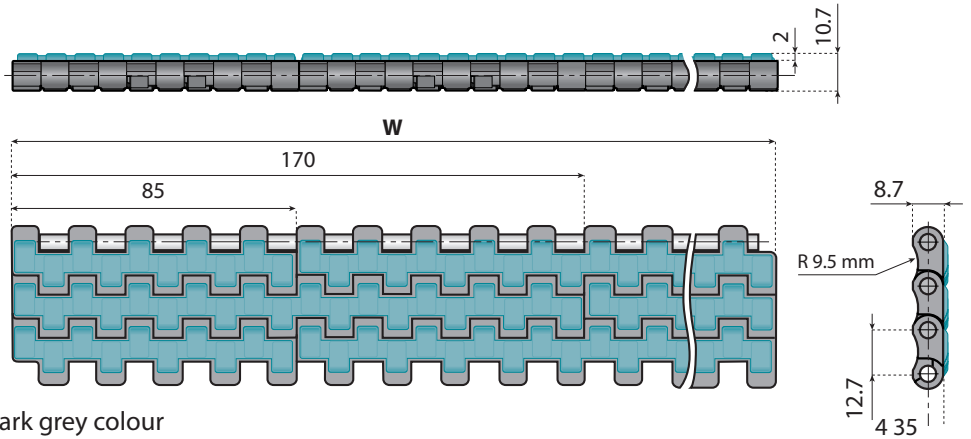
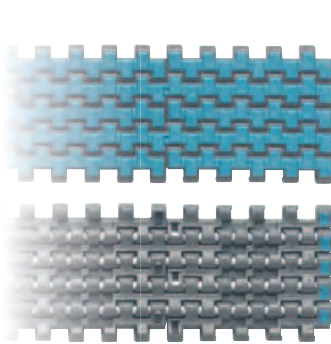
Standard materials

LFG	NGG
Low Friction Acetal Resin	New Generation

FOR BELTS AVAILABLE IN "NGG" MATERIAL JUST ADD "NGG" TO PART NUMBER (EXAMPLE "CODE 251700H-NGG")

Width W mm	Belts Ref.	Code	Width W mm	Belts Ref.	Code	Width W mm	Belts Ref.	Code	Width W mm	Belts Ref.	Code
85	2120-0085-H-FTTP2	251700H	935	2120-0935-H-FTTP2-SX	251710H-SX	1785	2120-1785-H-FTTP2-SX	251720H-SX	2635	2120-2635-H-FTTP2-SX	251730H-SX
170	2120-0170-H-FTTP2-SX	251701H-SX	1020	2120-1020-H-FTTP2-SX	251711H-SX	1870	2120-1870-H-FTTP2-SX	251721H-SX	2720	2120-2720-H-FTTP2-SX	251731H-SX
255	2120-0255-H-FTTP2-SX	251702H-SX	1105	2120-1105-H-FTTP2-SX	251712H-SX	1955	2120-1955-H-FTTP2-SX	251722H-SX	2805	2120-2805-H-FTTP2-SX	251732H-SX
340	2120-0340-H-FTTP2-SX	251703H-SX	1190	2120-1190-H-FTTP2-SX	251713H-SX	2040	2120-2040-H-FTTP2-SX	251723H-SX	2890	2120-2890-H-FTTP2-SX	251733H-SX
425	2120-0425-H-FTTP2-SX	251704H-SX	1275	2120-1275-H-FTTP2-SX	251714H-SX	2125	2120-2125-H-FTTP2-SX	251724H-SX	2975	2120-2975-H-FTTP2-SX	251734H-SX
510	2120-0510-H-FTTP2-SX	251705H-SX	1360	2120-1360-H-FTTP2-SX	251715H-SX	2210	2120-2210-H-FTTP2-SX	251725H-SX	3060	2120-3060-H-FTTP2-SX	251735H-SX
595	2120-0595-H-FTTP2-SX	251706H-SX	1445	2120-1445-H-FTTP2-SX	251716H-SX	2295	2120-2295-H-FTTP2-SX	251726H-SX	3145	2120-3145-H-FTTP2-SX	251736H-SX
680	2120-0680-H-FTTP2-SX	251707H-SX	1530	2120-1530-H-FTTP2-SX	251717H-SX	2380	2120-2380-H-FTTP2-SX	251727H-SX	3230	2120-3230-H-FTTP2-SX	251737H-SX
765	2120-0765-H-FTTP2-SX	251708H-SX	1615	2120-1615-H-FTTP2-SX	251718H-SX	2465	2120-2465-H-FTTP2-SX	251728H-SX	3315	2120-3315-H-FTTP2-SX	251738H-SX
850	2120-0850-H-FTTP2-SX	251709H-SX	1700	2120-1700-H-FTTP2-SX	251719H-SX	2550	2120-2550-H-FTTP2-SX	251729H-SX	3400	2120-3400-H-FTTP2-SX	251739H-SX

Other widths available on request.



Version standard

Belt material: low friction acetal resin, dark grey colour

Rubber material: thermoplastic rubber, waterblue colour

Backflex radius: 20 mm

Max load capacity: 20.000 N/m

Pin material: PBT (white)

Standard length:

belt width ≤ 340mm: 3.048m belt length

belt width > 340mm, but ≤ 1.700mm: 1.524m belt length

belt width > 1.700mm: belt length on request

Standard materials	
LFG	TPR
Low Friction Acetal Resin	Thermoplastic Rubber



Pages 4⇔7



Page 312⇔314 +316

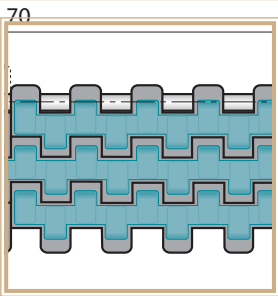


Page 112



Pages 340⇔343

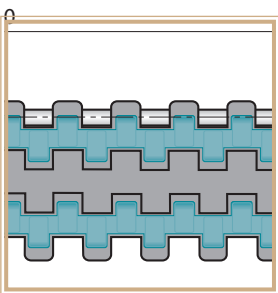
TYPE VG 2120



Weight: 9.7 Kg/m²

Width W mm	Belts Ref.	Code	Width W mm	Belts Ref.	Code	Width W mm	Belts Ref.	Code
85	VG 2120-0085	254700	935	VG 2120-0935	254710	1785	VG 2120-1785	254720
170	VG 2120-0170	254701	1020	VG 2120-1020	254711	1870	VG 2120-1870	254721
255	VG 2120-0255	254702	1105	VG 2120-1105	254712	1955	VG 2120-1955	254722
340	VG 2120-0340	254703	1190	VG 2120-1190	254713	2040	VG 2120-2040	254723
425	VG 2120-0425	254704	1275	VG 2120-1275	254714	2125	VG 2120-2125	254724
510	VG 2120-0510	254705	1360	VG 2120-1360	254715	2210	VG 2120-2210	254725
595	VG 2120-0595	254706	1445	VG 2120-1445	254716	2295	VG 2120-2295	254726
680	VG 2120-0680	254707	1530	VG 2120-1530	254717	2380	VG 2120-2380	254727
765	VG 2120-0765	254708	1615	VG 2120-1615	254718			
850	VG 2120-0850	254709	1700	VG 2120-1700	254719			

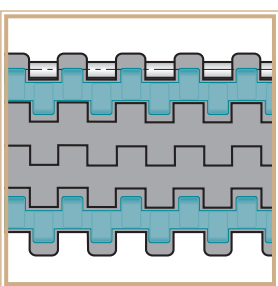
TYPE VG2 2120



Weight: 9.2 Kg/m²

Width W mm	Belts Ref.	Code	Width W mm	Belts Ref.	Code	Width W mm	Belts Ref.	Code
85	VG2 2120-0085	254800	935	VG2 2120-0935	254810	1785	VG2 2120-1785	254820
170	VG2 2120-0170	254801	1020	VG2 2120-1020	254811	1870	VG2 2120-1870	254821
255	VG2 2120-0255	254802	1105	VG2 2120-1105	254812	1955	VG2 2120-1955	254822
340	VG2 2120-0340	254803	1190	VG2 2120-1190	254813	2040	VG2 2120-2040	254823
425	VG2 2120-0425	254804	1275	VG2 2120-1275	254814	2125	VG2 2120-2125	254824
510	VG2 2120-0510	254805	1360	VG2 2120-1360	254815	2210	VG2 2120-2210	254825
595	VG2 2120-0595	254806	1445	VG2 2120-1445	254816	2295	VG2 2120-2295	254826
680	VG2 2120-0680	254807	1530	VG2 2120-1530	254817	2380	VG2 2120-2380	254827
765	VG2 2120-0765	254808	1615	VG2 2120-1615	254818			
850	VG2 2120-0850	254809	1700	VG2 2120-1700	254819			

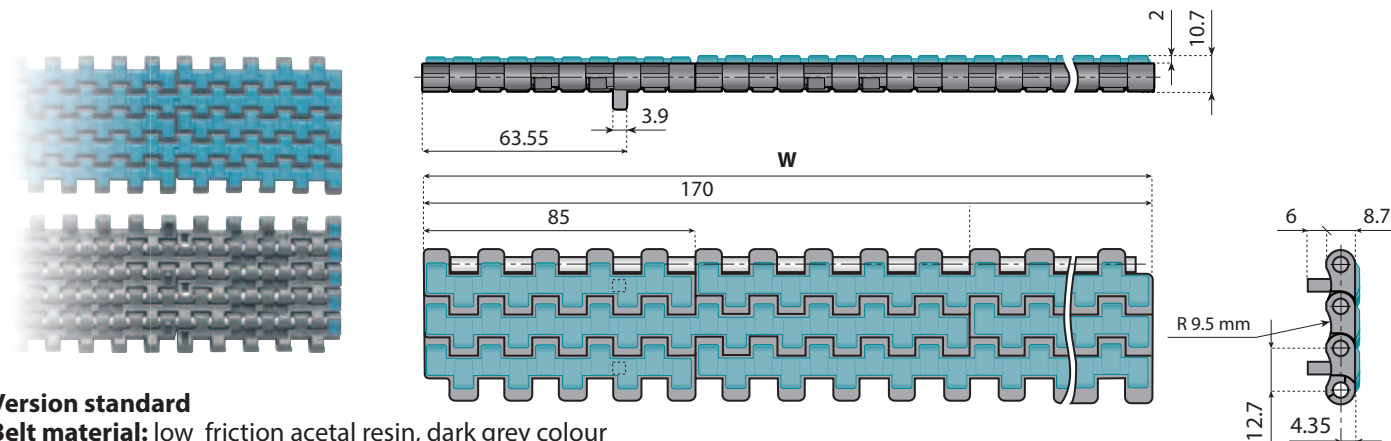
TYPE VG3 2120



Weight: 9.0 Kg/m²

Width W mm	Belts Ref.	Code	Width W mm	Belts Ref.	Code	Width W mm	Belts Ref.	Code
85	VG3 2120-0085	254900	935	VG3 2120-0935	254910	1785	VG3 2120-1785	254920
170	VG3 2120-0170	254901	1020	VG3 2120-1020	254911	1870	VG3 2120-1870	254921
255	VG3 2120-0255	254902	1105	VG3 2120-1105	254912	1955	VG3 2120-1955	254922
340	VG3 2120-0340	254903	1190	VG3 2120-1190	254913	2040	VG3 2120-2040	254923
425	VG3 2120-0425	254904	1275	VG3 2120-1275	254914	2125	VG3 2120-2125	254924
510	VG3 2120-0510	254905	1360	VG3 2120-1360	254915	2210	VG3 2120-2210	254925
595	VG3 2120-0595	254906	1445	VG3 2120-1445	254916	2295	VG3 2120-2295	254926
680	VG3 2120-0680	254907	1530	VG3 2120-1530	254917	2380	VG3 2120-2380	254927
765	VG3 2120-0765	254908	1615	VG3 2120-1615	254918			
850	VG3 2120-0850	254909	1700	VG3 2120-1700	254919			

Other widths available on request.



Version standard

Belt material: low friction acetal resin, dark grey colour

Rubber material: thermoplastic rubber, waterblue colour

Backflex radius: 20 mm

Max load capacity: 20.000 N/m

Pin material: PBT (white)

Standard length:

belt width ≤ 340mm: 3.048m belt length

belt width > 340mm, but ≤ 1.700mm: 1.524m belt length

belt width > 1.700mm: belt length on request

Standard materials

LFG	TPR
Low Friction Acetal Resin	Thermoplastic Rubber



Pages 4⇔7



Page 312⇔314 +316

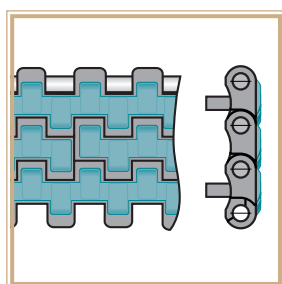


Page 112



Pages 340⇔343

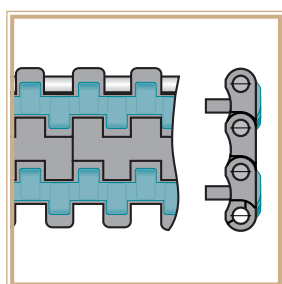
TYPE VG 2120 P1



Weight: 9.7 Kg/m²

Width W mm	Belts Ref.	Code	Width W mm	Belts Ref.	Code	Width W mm	Belts Ref.	Code
85	VG 2120-0085 P1	255000	935	VG 2120-0935 P1	255010	1785	VG 2120-1785 P1	255020
170	VG 2120-0170 P1	255001	1020	VG 2120-1020 P1	255011	1870	VG 2120-1870 P1	255021
255	VG 2120-0255 P1	255002	1105	VG 2120-1105 P1	255012	1955	VG 2120-1955 P1	255022
340	VG 2120-0340 P1	255003	1190	VG 2120-1190 P1	255013	2040	VG 2120-2040 P1	255023
425	VG 2120-0425 P1	255004	1275	VG 2120-1275 P1	255014	2125	VG 2120-2125 P1	255024
510	VG 2120-0510 P1	255005	1360	VG 2120-1360 P1	255015	2210	VG 2120-2210 P1	255025
595	VG 2120-0595 P1	255006	1445	VG 2120-1445 P1	255016	2295	VG 2120-2295 P1	255026
680	VG 2120-0680 P1	255007	1530	VG 2120-1530 P1	255017	2380	VG 2120-2380 P1	255027
765	VG 2120-0765 P1	255008	1615	VG 2120-1615 P1	255018			
850	VG 2120-0850 P1	255009	1700	VG 2120-1700 P1	255019			

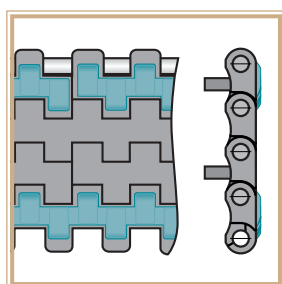
TYPE VG2 2120 P1



Weight: 9.2 Kg/m²

Width W mm	Belts Ref.	Code	Width W mm	Belts Ref.	Code	Width W mm	Belts Ref.	Code
85	VG2 2120-0085 P1	255100	935	VG2 2120-0935 P1	255110	1785	VG2 2120-1785 P1	255120
170	VG2 2120-0170 P1	255101	1020	VG2 2120-1020 P1	255111	1870	VG2 2120-1870 P1	255121
255	VG2 2120-0255 P1	255102	1105	VG2 2120-1105 P1	255112	1955	VG2 2120-1955 P1	255122
340	VG2 2120-0340 P1	255103	1190	VG2 2120-1190 P1	255113	2040	VG2 2120-2040 P1	255123
425	VG2 2120-0425 P1	255104	1275	VG2 2120-1275 P1	255114	2125	VG2 2120-2125 P1	255124
510	VG2 2120-0510 P1	255105	1360	VG2 2120-1360 P1	255115	2210	VG2 2120-2210 P1	255125
595	VG2 2120-0595 P1	255106	1445	VG2 2120-1445 P1	255116	2295	VG2 2120-2295 P1	255126
680	VG2 2120-0680 P1	255107	1530	VG2 2120-1530 P1	255117	2380	VG2 2120-2380 P1	255127
765	VG2 2120-0765 P1	255108	1615	VG2 2120-1615 P1	255118			
850	VG2 2120-0850 P1	255109	1700	VG2 2120-1700 P1	255119			

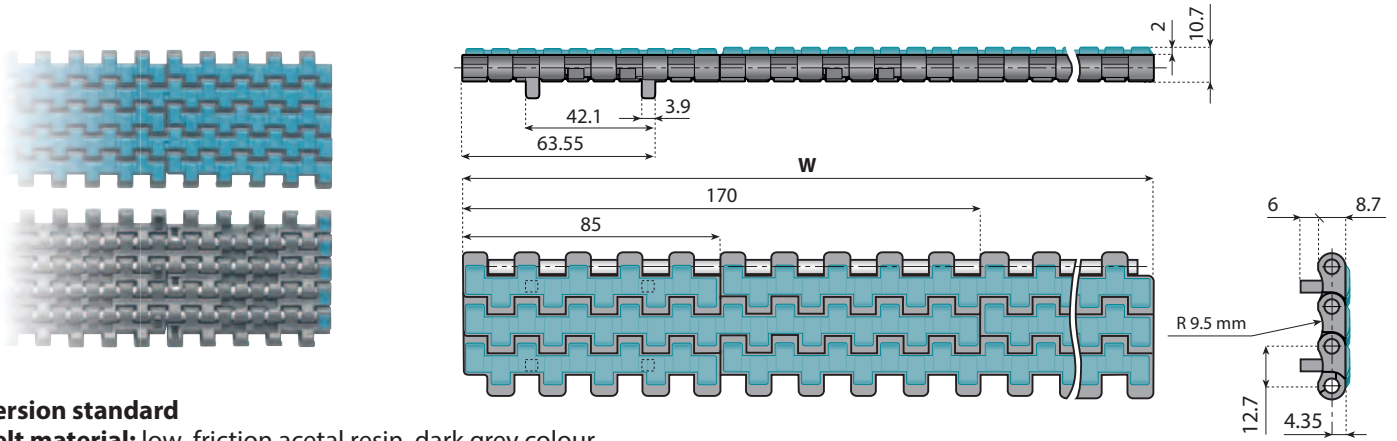
TYPE VG3 2120 P1



Weight: 9.0 Kg/m²

Width W mm	Belts Ref.	Code	Width W mm	Belts Ref.	Code	Width W mm	Belts Ref.	Code
85	VG3 2120-0085 P1	255200	935	VG3 2120-0935 P1	255210	1785	VG3 2120-1785 P1	255220
170	VG3 2120-0170 P1	255201	1020	VG3 2120-1020 P1	255211	1870	VG3 2120-1870 P1	255221
255	VG3 2120-0255 P1	255202	1105	VG3 2120-1105 P1	255212	1955	VG3 2120-1955 P1	255222
340	VG3 2120-0340 P1	255203	1190	VG3 2120-1190 P1	255213	2040	VG3 2120-2040 P1	255223
425	VG3 2120-0425 P1	255204	1275	VG3 2120-1275 P1	255214	2125	VG3 2120-2125 P1	255224
510	VG3 2120-0510 P1	255205	1360	VG3 2120-1360 P1	255215	2210	VG3 2120-2210 P1	255225
595	VG3 2120-0595 P1	255206	1445	VG3 2120-1445 P1	255216	2295	VG3 2120-2295 P1	255226
680	VG3 2120-0680 P1	255207	1530	VG3 2120-1530 P1	255217	2380	VG3 2120-2380 P1	255227
765	VG3 2120-0765 P1	255208	1615	VG3 2120-1615 P1	255218			
850	VG3 2120-0850 P1	255209	1700	VG3 2120-1700 P1	255219			

Other widths available on request.



Version standard

Belt material: low friction acetal resin, dark grey colour

Rubber material: thermoplastic rubber, waterblue colour

Backflex radius: 20 mm

Max load capacity: 20.000 N/m

Pin material: PBT (white)

Standard length:

belt width ≤ 340mm: 3.048m belt length

belt width > 340mm, but ≤ 1.700mm: 1.524m belt length

belt width > 1.700mm: belt length on request

Standard materials

LFG	TPR
Low Friction Acetal Resin	Thermoplastic Rubber



Pages 4⇔7



Page 312⇔314 +316

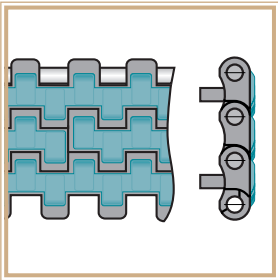


Page 112



Pages 340⇔343

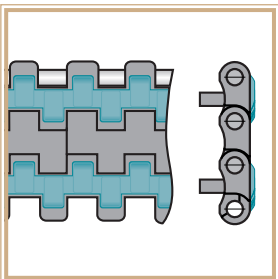
TYPE VG 2120 P2



Weight: 9.7 Kg/m²

Width W mm	Belts Ref.	Code	Width W mm	Belts Ref.	Code	Width W mm	Belts Ref.	Code
85	VG 2120-0085 P2	255300	935	VG 2120-0935 P2	255310	1785	VG 2120-1785 P2	255320
170	VG 2120-0170 P2	255301	1020	VG 2120-1020 P2	255311	1870	VG 2120-1870 P2	255321
255	VG 2120-0255 P2	255302	1105	VG 2120-1105 P2	255312	1955	VG 2120-1955 P2	255322
340	VG 2120-0340 P2	255303	1190	VG 2120-1190 P2	255313	2040	VG 2120-2040 P2	255323
425	VG 2120-0425 P2	255304	1275	VG 2120-1275 P2	255314	2125	VG 2120-2125 P2	255324
510	VG 2120-0510 P2	255305	1360	VG 2120-1360 P2	255315	2210	VG 2120-2210 P2	255325
595	VG 2120-0595 P2	255306	1445	VG 2120-1445 P2	255316	2295	VG 2120-2295 P2	255326
680	VG 2120-0680 P2	255307	1530	VG 2120-1530 P2	255317	2380	VG 2120-2380 P2	255327
765	VG 2120-0765 P2	255308	1615	VG 2120-1615 P2	255318			
850	VG 2120-0850 P2	255309	1700	VG 2120-1700 P2	255319			

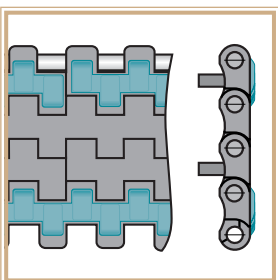
TYPE VG2 2120 P2



Weight: 9.2 Kg/m²

Width W mm	Belts Ref.	Code	Width W mm	Belts Ref.	Code	Width W mm	Belts Ref.	Code
85	VG2 2120-0085 P2	255400	935	VG2 2120-0935 P2	255410	1785	VG2 2120-1785 P2	255420
170	VG2 2120-0170 P2	255401	1020	VG2 2120-1020 P2	255411	1870	VG2 2120-1870 P2	255421
255	VG2 2120-0255 P2	255402	1105	VG2 2120-1105 P2	255412	1955	VG2 2120-1955 P2	255422
340	VG2 2120-0340 P2	255403	1190	VG2 2120-1190 P2	255413	2040	VG2 2120-2040 P2	255423
425	VG2 2120-0425 P2	255404	1275	VG2 2120-1275 P2	255414	2125	VG2 2120-2125 P2	255424
510	VG2 2120-0510 P2	255405	1360	VG2 2120-1360 P2	255415	2210	VG2 2120-2210 P2	255425
595	VG2 2120-0595 P2	255406	1445	VG2 2120-1445 P2	255416	2295	VG2 2120-2295 P2	255426
680	VG2 2120-0680 P2	255407	1530	VG2 2120-1530 P2	255417	2380	VG2 2120-2380 P2	255427
765	VG2 2120-0765 P2	255408	1615	VG2 2120-1615 P2	255418			
850	VG2 2120-0850 P2	255409	1700	VG2 2120-1700 P2	255419			

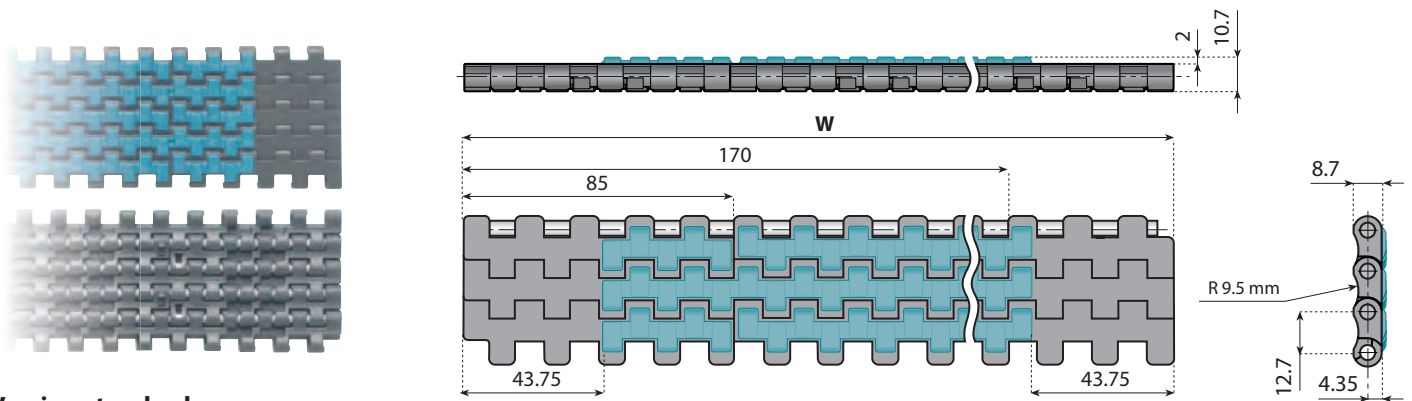
TYPE VG3 2120 P2



Weight: 9.0 Kg/m²

Width W mm	Belts Ref.	Code	Width W mm	Belts Ref.	Code	Width W mm	Belts Ref.	Code
85	VG3 2120-0085 P2	255500	935	VG3 2120-0935 P2	255510	1785	VG3 2120-1785 P2	255520
170	VG3 2120-0170 P2	255501	1020	VG3 2120-1020 P2	255511	1870	VG3 2120-1870 P2	255521
255	VG3 2120-0255 P2	255502	1105	VG3 2120-1105 P2	255512	1955	VG3 2120-1955 P2	255522
340	VG3 2120-0340 P2	255503	1190	VG3 2120-1190 P2	255513	2040	VG3 2120-2040 P2	255523
425	VG3 2120-0425 P2	255504	1275	VG3 2120-1275 P2	255514	2125	VG3 2120-2125 P2	255524
510	VG3 2120-0510 P2	255505	1360	VG3 2120-1360 P2	255515	2210	VG3 2120-2210 P2	255525
595	VG3 2120-0595 P2	255506	1445	VG3 2120-1445 P2	255516	2295	VG3 2120-2295 P2	255526
680	VG3 2120-0680 P2	255507	1530	VG3 2120-1530 P2	255517	2380	VG3 2120-2380 P2	255527
765	VG3 2120-0765 P2	255508	1615	VG3 2120-1615 P2	255518			
850	VG3 2120-0850 P2	255509	1700	VG3 2120-1700 P2	255519			

Other widths available on request.



Version standard

Belt material: low friction acetal resin, dark grey colour

Rubber material: thermoplastic rubber, waterblue colour

Backflex radius: 20 mm

Max load capacity: 20.000 N/m

Pin material: PBT (white)

Standard length:

belt width ≤ 340mm: 3.048m belt length

belt width > 340mm, but ≤ 1.700mm: 1.524m belt length

belt width > 1.700mm: belt length on request

Standard materials

LFG	TPR
Low Friction Acetal Resin	Thermoplastic Rubber



Pages 4⇔7



Page 312⇔314 +316

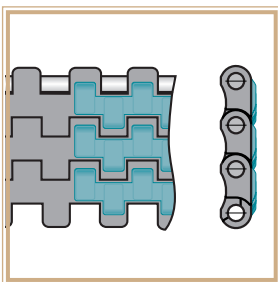


Page 112



Pages 340⇔343

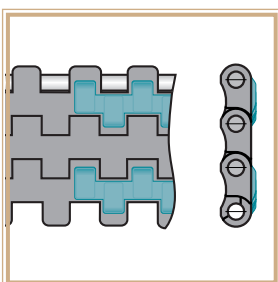
TYPE VGS 2120



Weight: 9.7 Kg/m²

Width W mm	Belts Ref.	Code	Width W mm	Belts Ref.	Code	Width W mm	Belts Ref.	Code
85	-	-	935	VGS 2120-0935	255610	1785	VGS 2120-1785	255620
170	-	-	1020	VGS 2120-1020	255611	1870	VGS 2120-1870	255621
255	VGS 2120-0255	255602	1105	VGS 2120-1105	255612	1955	VGS 2120-1955	255622
340	VGS 2120-0340	255603	1190	VGS 2120-1190	255613	2040	VGS 2120-2040	255623
425	VGS 2120-0425	255604	1275	VGS 2120-1275	255614	2125	VGS 2120-2125	255624
510	VGS 2120-0510	255605	1360	VGS 2120-1360	255615	2210	VGS 2120-2210	255625
595	VGS 2120-0595	255606	1445	VGS 2120-1445	255616	2295	VGS 2120-2295	255626
680	VGS 2120-0680	255607	1530	VGS 2120-1530	255617	2380	VGS 2120-2380	255627
765	VGS 2120-0765	255608	1615	VGS 2120-1615	255618			
850	VGS 2120-0850	255609	1700	VGS 2120-1700	255619			

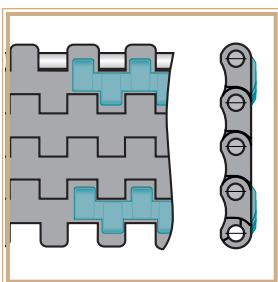
TYPE VGS2 2120



Weight: 9.2 Kg/m²

Width W mm	Belts Ref.	Code	Width W mm	Belts Ref.	Code	Width W mm	Belts Ref.	Code
85	-	-	935	VGS2 2120-0935	255710	1785	VGS2 2120-1785	255720
170	VGS2 2120-0170	255701	1020	VGS2 2120-1020	255711	1870	VGS2 2120-1870	255721
255	VGS2 2120-0255	255702	1105	VGS2 2120-1105	255712	1955	VGS2 2120-1955	255722
340	VGS2 2120-0340	255703	1190	VGS2 2120-1190	255713	2040	VGS2 2120-2040	255723
425	VGS2 2120-0425	255704	1275	VGS2 2120-1275	255714	2125	VGS2 2120-2125	255724
510	VGS2 2120-0510	255705	1360	VGS2 2120-1360	255715	2210	VGS2 2120-2210	255725
595	VGS2 2120-0595	255706	1445	VGS2 2120-1445	255716	2295	VGS2 2120-2295	255726
680	VGS2 2120-0680	255707	1530	VGS2 2120-1530	255717	2380	VGS2 2120-2380	255727
765	VGS2 2120-0765	255708	1615	VGS2 2120-1615	255718			
850	VGS2 2120-0850	255709	1700	VGS2 2120-1700	255719			

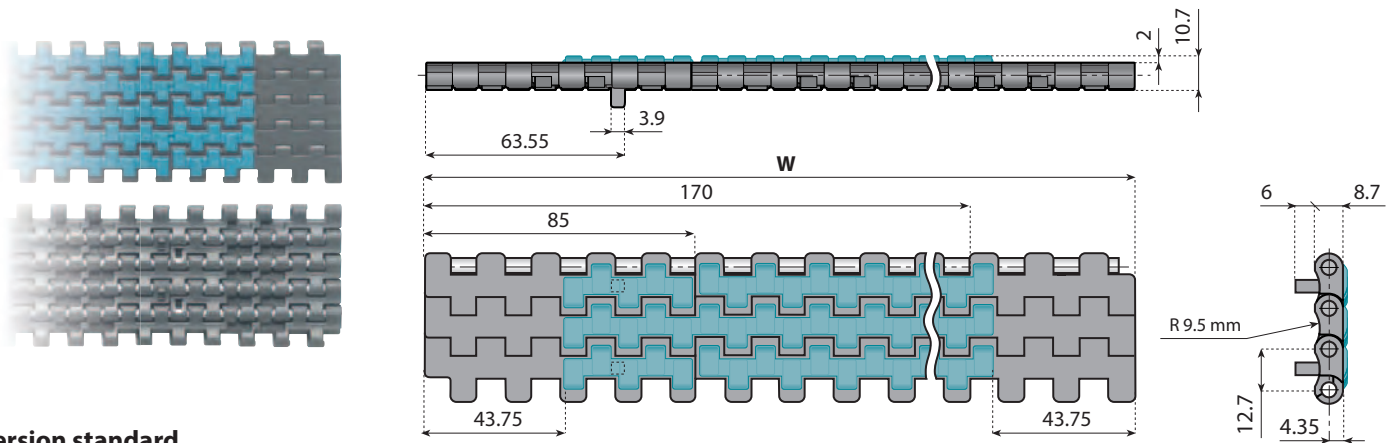
TYPE VGS3 2120



Weight: 9.0 Kg/m²

Width W mm	Belts Ref.	Code	Width W mm	Belts Ref.	Code	Width W mm	Belts Ref.	Code
85	-	-	935	VGS3 2120-0935	255810	1785	VGS3 2120-1785	255820
170	VGS3 2120-0170	255801	1020	VGS3 2120-1020	255811	1870	VGS3 2120-1870	255821
255	VGS3 2120-0255	255802	1105	VGS3 2120-1105	255812	1955	VGS3 2120-1955	255822
340	VGS3 2120-0340	255803	1190	VGS3 2120-1190	255813	2040	VGS3 2120-2040	255823
425	VGS3 2120-0425	255804	1275	VGS3 2120-1275	255814	2125	VGS3 2120-2125	255824
510	VGS3 2120-0510	255805	1360	VGS3 2120-1360	255815	2210	VGS3 2120-2210	255825
595	VGS3 2120-0595	255806	1445	VGS3 2120-1445	255816	2295	VGS3 2120-2295	255826
680	VGS3 2120-0680	255807	1530	VGS3 2120-1530	255817	2380	VGS3 2120-2380	255827
765	VGS3 2120-0765	255808	1615	VGS3 2120-1615	255818			
850	VGS3 2120-0850	255809	1700	VGS3 2120-1700	255819			

Other widths available on request.



Version standard

- Belt material:** low friction acetal resin, dark grey colour
- Rubber material:** thermoplastic rubber, waterblue colour
- Backflex radius:** 20 mm
- Max load capacity:** 20.000 N/m
- Pin material:** PBT (white)
- Standard length:**
 - belt width ≤ 340mm: 3.048m belt length
 - belt width > 340mm, but ≤ 1.700mm: 1.524m belt length
 - belt width > 1.700mm: belt length on request

Standard materials	
LFG	TPR
Low Friction Acetal Resin	Thermoplastic Rubber

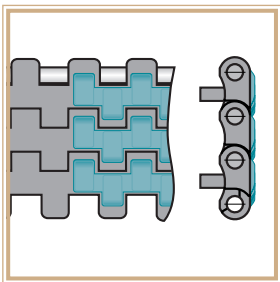
MATERIAL Pages 4⇨7

Page 312⇨314 +316

Page 112

Pages 340⇨343

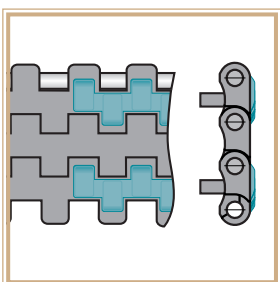
TYPE VGS 2120 P1



Weight: 9.7 Kg/m²

Width W mm	Belts Ref.	Code	Width W mm	Belts Ref.	Code	Width W mm	Belts Ref.	Code
85	-	-	935	VGS 2120-0935 P1	255910	1785	VGS 2120-1785 P1	255920
170	-	-	1020	VGS 2120-1020 P1	255911	1870	VGS 2120-1870 P1	255921
255	VGS 2120-0255 P1	255902	1105	VGS 2120-1105 P1	255912	1955	VGS 2120-1955 P1	255922
340	VGS 2120-0340 P1	255903	1190	VGS 2120-1190 P1	255913	2040	VGS 2120-2040 P1	255923
425	VGS 2120-0425 P1	255904	1275	VGS 2120-1275 P1	255914	2125	VGS 2120-2125 P1	255924
510	VGS 2120-0510 P1	255905	1360	VGS 2120-1360 P1	255915	2210	VGS 2120-2210 P1	255925
595	VGS 2120-0595 P1	255906	1445	VGS 2120-1445 P1	255916	2295	VGS 2120-2295 P1	255926
680	VGS 2120-0680 P1	255907	1530	VGS 2120-1530 P1	255917	2380	VGS 2120-2380 P1	255927
765	VGS 2120-0765 P1	255908	1615	VGS 2120-1615 P1	255918			
850	VGS 2120-0850 P1	255909	1700	VGS 2120-1700 P1	255919			

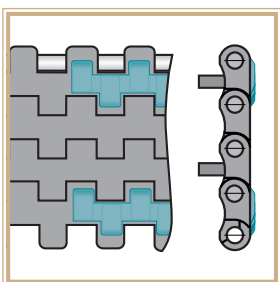
TYPE VGS2 2120 P1



Weight: 9.2 Kg/m²

Width W mm	Belts Ref.	Code	Width W mm	Belts Ref.	Code	Width W mm	Belts Ref.	Code
85	-	-	935	VGS2 2120-0935 P1	256010	1785	VGS2 2120-1785 P1	256020
170	VGS2 2120-0170 P1	256001	1020	VGS2 2120-1020 P1	256011	1870	VGS2 2120-1870 P1	256021
255	VGS2 2120-0255 P1	256002	1105	VGS2 2120-1105 P1	256012	1955	VGS2 2120-1955 P1	256022
340	VGS2 2120-0340 P1	256003	1190	VGS2 2120-1190 P1	256013	2040	VGS2 2120-2040 P1	256023
425	VGS2 2120-0425 P1	256004	1275	VGS2 2120-1275 P1	256014	2125	VGS2 2120-2125 P1	256024
510	VGS2 2120-0510 P1	256005	1360	VGS2 2120-1360 P1	256015	2210	VGS2 2120-2210 P1	256025
595	VGS2 2120-0595 P1	256006	1445	VGS2 2120-1445 P1	256016	2295	VGS2 2120-2295 P1	256026
680	VGS2 2120-0680 P1	256007	1530	VGS2 2120-1530 P1	256017	2380	VGS2 2120-2380 P1	256027
765	VGS2 2120-0765 P1	256008	1615	VGS2 2120-1615 P1	256018			
850	VGS2 2120-0850 P1	256009	1700	VGS2 2120-1700 P1	256019			

TYPE VGS3 2120 P1

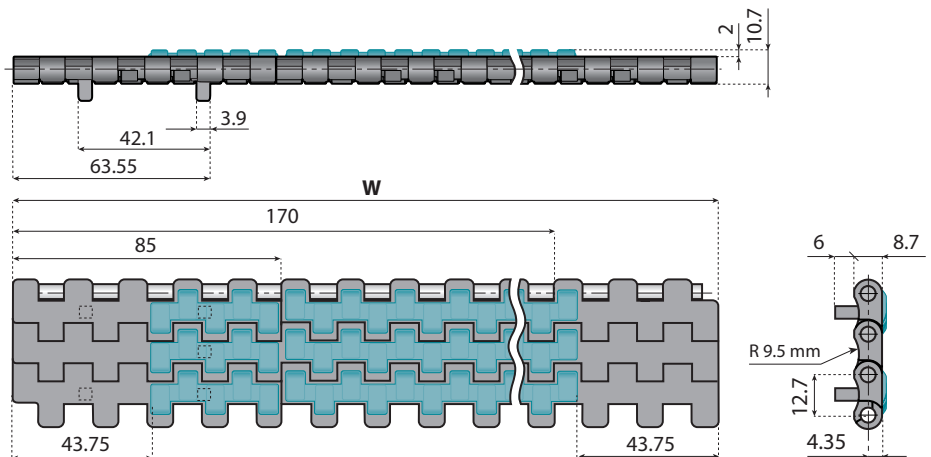
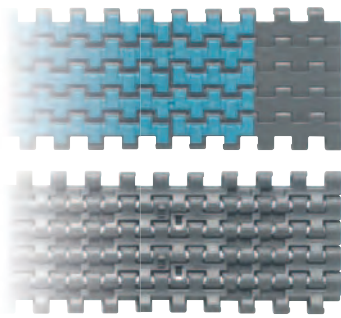


Weight: 9.0 Kg/m²

Width W mm	Belts Ref.	Code	Width W mm	Belts Ref.	Code	Width W mm	Belts Ref.	Code
85	-	-	935	VGS3 2120-0935 P1	256110	1785	VGS3 2120-1785 P1	256120
170	-	-	1020	VGS3 2120-1020 P1	256111	1870	VGS3 2120-1870 P1	256121
255	VGS3 2120-0255 P1	256102	1105	VGS3 2120-1105 P1	256112	1955	VGS3 2120-1955 P1	256122
340	VGS3 2120-0340 P1	256103	1190	VGS3 2120-1190 P1	256113	2040	VGS3 2120-2040 P1	256123
425	VGS3 2120-0425 P1	256104	1275	VGS3 2120-1275 P1	256114	2125	VGS3 2120-2125 P1	256124
510	VGS3 2120-0510 P1	256105	1360	VGS3 2120-1360 P1	256115	2210	VGS3 2120-2210 P1	256125
595	VGS3 2120-0595 P1	256106	1445	VGS3 2120-1445 P1	256116	2295	VGS3 2120-2295 P1	256126
680	VGS3 2120-0680 P1	256107	1530	VGS3 2120-1530 P1	256117	2380	VGS3 2120-2380 P1	256127
765	VGS3 2120-0765 P1	256108	1615	VGS3 2120-1615 P1	256118			
850	VGS3 2120-0850 P1	256109	1700	VGS3 2120-1700 P1	256119			

Other widths available on request.

GRIP BELTS (Pitch 1/2" - 12.7 mm) WITH HIGH FRICTION SURFACE VGS 2120 P2



Version standard

- Belt material:** low friction acetal resin, dark grey colour
- Rubber material:** thermoplastic rubber, waterblue colour
- Backflex radius:** 20 mm
- Max load capacity:** 20.000 N/m
- Pin material:** PBT (white)
- Standard length:**
 - belt width ≤ 340mm: 3.048m belt length
 - belt width > 340mm, but ≤ 1.700mm: 1.524m belt length
 - belt width > 1.700mm: belt length on request

Standard materials

LFG	TPR
Low Friction Acetal Resin	Thermoplastic Rubber



Pages 4⇔7



Page 312⇔314 +316

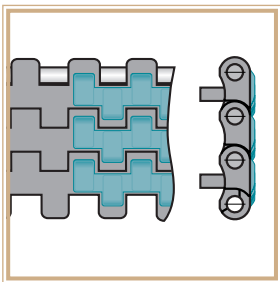


Page 112



Pages 340⇔343

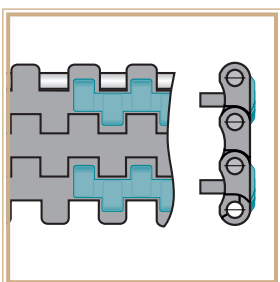
TYPE VGS 2120 P2



Weight: 9.7 Kg/m²

Width W mm	Belts Ref.	Code	Width W mm	Belts Ref.	Code	Width W mm	Belts Ref.	Code
85	-	-	935	VGS 2120-0935 P2	256210	1785	VGS 2120-1785 P2	256220
170	-	-	1020	VGS 2120-1020 P2	256211	1870	VGS 2120-1870 P2	256221
255	VGS 2120-0255 P2	256202	1105	VGS 2120-1105 P2	256212	1955	VGS 2120-1955 P2	256222
340	VGS 2120-0340 P2	256203	1190	VGS 2120-1190 P2	256213	2040	VGS 2120-2040 P2	256223
425	VGS 2120-0425 P2	256204	1275	VGS 2120-1275 P2	256214	2125	VGS 2120-2125 P2	256224
510	VGS 2120-0510 P2	256205	1360	VGS 2120-1360 P2	256215	2210	VGS 2120-2210 P2	256225
595	VGS 2120-0595 P2	256206	1445	VGS 2120-1445 P2	256216	2295	VGS 2120-2295 P2	256226
680	VGS 2120-0680 P2	256207	1530	VGS 2120-1530 P2	256217	2380	VGS 2120-2380 P2	256227
765	VGS 2120-0765 P2	256208	1615	VGS 2120-1615 P2	256218			
850	VGS 2120-0850 P2	256209	1700	VGS 2120-1700 P2	256219			

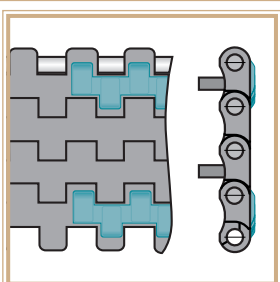
TYPE VGS2 2120 P2



Weight: 9.2 Kg/m²

Width W mm	Belts Ref.	Code	Width W mm	Belts Ref.	Code	Width W mm	Belts Ref.	Code
85	-	-	935	VGS2 2120-0935 P2	256310	1785	VGS2 2120-1785 P2	256320
170	VGS2 2120-0170 P2	256301	1020	VGS2 2120-1020 P2	256311	1870	VGS2 2120-1870 P2	256321
255	VGS2 2120-0255 P2	256302	1105	VGS2 2120-1105 P2	256312	1955	VGS2 2120-1955 P2	256322
340	VGS2 2120-0340 P2	256303	1190	VGS2 2120-1190 P2	256313	2040	VGS2 2120-2040 P2	256323
425	VGS2 2120-0425 P2	256304	1275	VGS2 2120-1275 P2	256314	2125	VGS2 2120-2125 P2	256324
510	VGS2 2120-0510 P2	256305	1360	VGS2 2120-1360 P2	256315	2210	VGS2 2120-2210 P2	256325
595	VGS2 2120-0595 P2	256306	1445	VGS2 2120-1445 P2	256316	2295	VGS2 2120-2295 P2	256326
680	VGS2 2120-0680 P2	256307	1530	VGS2 2120-1530 P2	256317	2380	VGS2 2120-2380 P2	256327
765	VGS2 2120-0765 P2	256308	1615	VGS2 2120-1615 P2	256318			
850	VGS2 2120-0850 P2	256309	1700	VGS2 2120-1700 P2	256319			

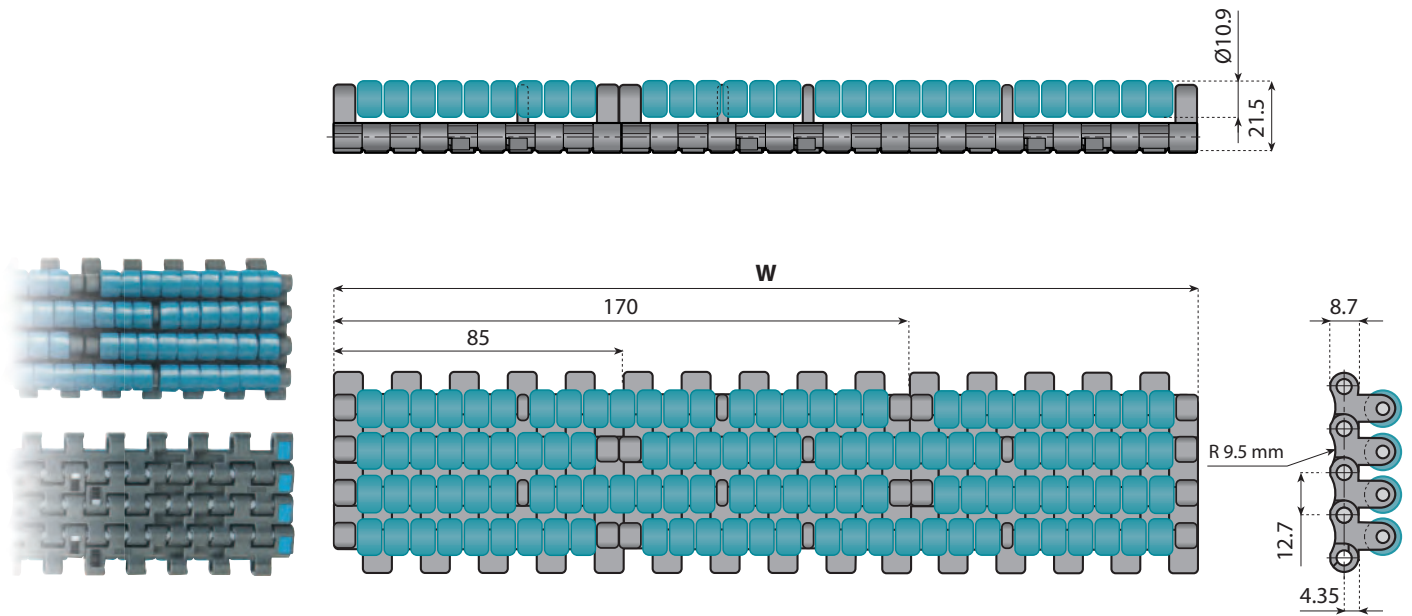
TYPE VGS3 2120 P2



Weight: 9.0 Kg/m²

Width W mm	Belts Ref.	Code	Width W mm	Belts Ref.	Code	Width W mm	Belts Ref.	Code
85	-	-	935	VGS3 2120-0935 P2	256410	1785	VGS3 2120-1785 P2	256420
170	-	-	1020	VGS3 2120-1020 P2	256411	1870	VGS3 2120-1870 P2	256421
255	VGS3 2120-0255 P2	256402	1105	VGS3 2120-1105 P2	256412	1955	VGS3 2120-1955 P2	256422
340	VGS3 2120-0340 P2	256403	1190	VGS3 2120-1190 P2	256413	2040	VGS3 2120-2040 P2	256423
425	VGS3 2120-0425 P2	256404	1275	VGS3 2120-1275 P2	256414	2125	VGS3 2120-2125 P2	256424
510	VGS3 2120-0510 P2	256405	1360	VGS3 2120-1360 P2	256415	2210	VGS3 2120-2210 P2	256425
595	VGS3 2120-0595 P2	256406	1445	VGS3 2120-1445 P2	256416	2295	VGS3 2120-2295 P2	256426
680	VGS3 2120-0680 P2	256407	1530	VGS3 2120-1530 P2	256417	2380	VGS3 2120-2380 P2	256427
765	VGS3 2120-0765 P2	256408	1615	VGS3 2120-1615 P2	256418			
850	VGS3 2120-0850 P2	256409	1700	VGS3 2120-1700 P2	256419			

Other widths available on request.



Version standard

Backflex radius: 60 mm

Max load capacity: 20.000 N/m

Weight: 23.2 Kg/m²

Pin material: PBT (white)

Roller shaft material: Stainless Steel AISI 304

Standard length:

belt width ≤ 340mm: 1.524m belt length

belt width > 340mm, but ≤ 0.935mm: 0.762m belt length

belt width > 0.935mm: belt length on request

Standard material

LFG

Low Friction
Acetal Resin



Pages
4⇒7



Page
312⇒314
+316



Page
112

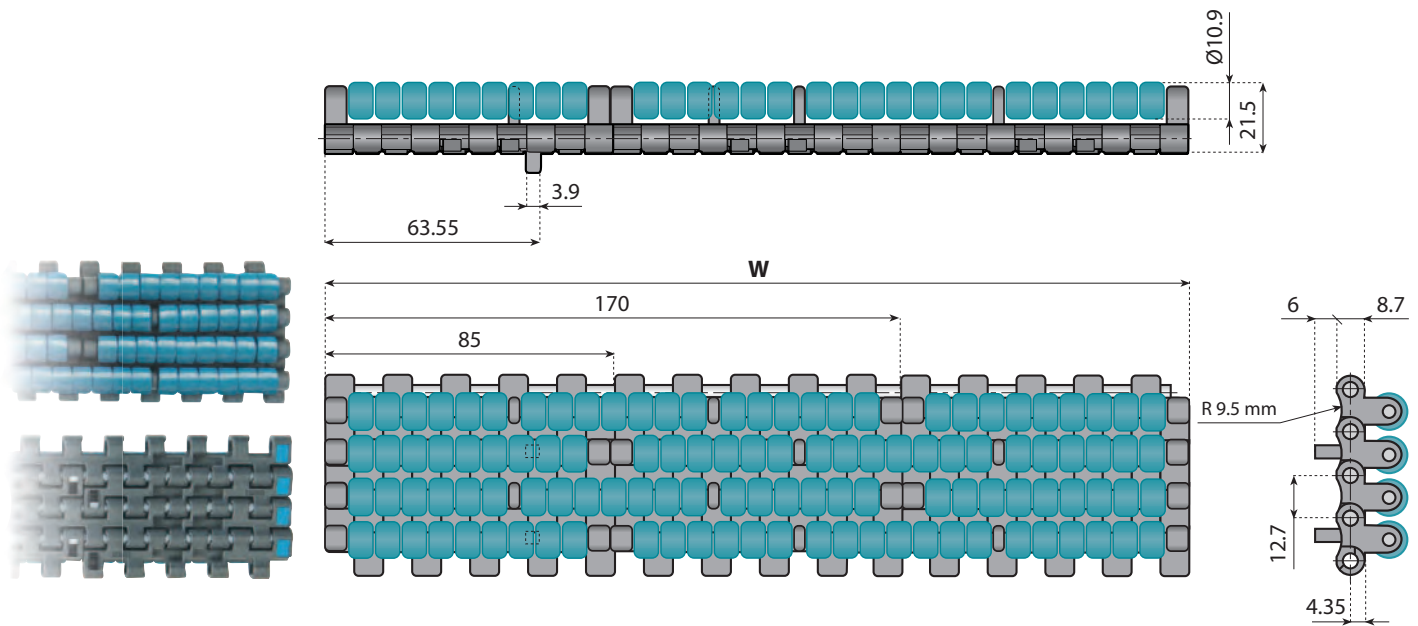


Pages
340⇒343

Width W mm	Belts Ref.	Code	Width W mm	Belts Ref.	Code	Width W mm	Belts Ref.	Code	Width W mm	Belts Ref.	Code
85	LBP 2120-0085	256500	935	LBP 2120-0935	256510	1785	LBP 2120-1785	256520	2635	LBP 2120-2635	256530
170	LBP 2120-0170	256501	1020	LBP 2120-1020	256511	1870	LBP 2120-1870	256521	2720	LBP 2120-2720	256531
255	LBP 2120-0255	256502	1105	LBP 2120-1105	256512	1955	LBP 2120-1955	256522	2805	LBP 2120-2805	256532
340	LBP 2120-0340	256503	1190	LBP 2120-1190	256513	2040	LBP 2120-2040	256523	2890	LBP 2120-2890	256533
425	LBP 2120-0425	256504	1275	LBP 2120-1275	256514	2125	LBP 2120-2125	256524	2975	LBP 2120-2975	256534
510	LBP 2120-0510	256505	1360	LBP 2120-1360	256515	2210	LBP 2120-2210	256525	3060	LBP 2120-3060	256535
595	LBP 2120-0595	256506	1445	LBP 2120-1445	256516	2295	LBP 2120-2295	256526	3145	LBP 2120-3145	256536
680	LBP 2120-0680	256507	1530	LBP 2120-1530	256517	2380	LBP 2120-2380	256527	3230	LBP 2120-3230	256537
765	LBP 2120-0765	256508	1615	LBP 2120-1615	256518	2465	LBP 2120-2465	256528	3315	LBP 2120-3315	256538
850	LBP 2120-0850	256509	1700	LBP 2120-1700	256519	2550	LBP 2120-2550	256529	3400	LBP 2120-3400	256539

LBP BELTS (Pitch 1/2" - 12.7 mm) WITH LOW NOISE ACCUMULATION ROLLERS

LBP 2120 P1



Version standard

Backflex radius: 60 mm

Max load capacity: 20.000 N/m

Weight: 23.2 Kg/m²

Pin material: PBT (white)

Roller shaft material: Stainless Steel AISI 304

Standard length:

belt width ≤ 340mm: 1.524m belt length

belt width > 340mm, but ≤ 0.935mm: 0.762m belt length

belt width > 0.935mm: belt length on request

Standard material

LFG

Low Friction
Acetal Resin



Pages
4⇒7



Page
312⇒314
+316

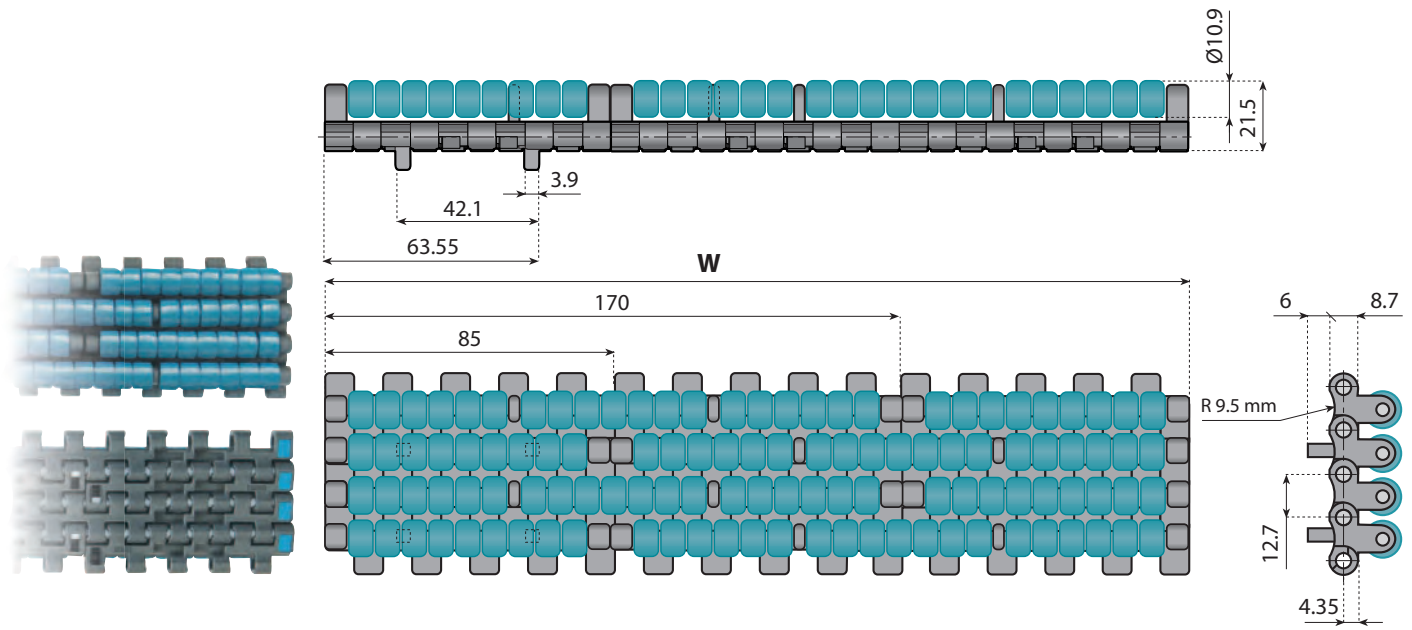


Page
112



Pages
340⇒343

Width W mm	Belts Ref.	Code	Width W mm	Belts Ref.	Code	Width W mm	Belts Ref.	Code	Width W mm	Belts Ref.	Code
85	LBP 2120-0085 P1	256600	935	LBP 2120-0935 P1	256610	1785	LBP 2120-1785 P1	256620	2635	LBP 2120-2635 P1	256630
170	LBP 2120-0170 P1	256601	1020	LBP 2120-1020 P1	256611	1870	LBP 2120-1870 P1	256621	2720	LBP 2120-2720 P1	256631
255	LBP 2120-0255 P1	256602	1105	LBP 2120-1105 P1	256612	1955	LBP 2120-1955 P1	256622	2805	LBP 2120-2805 P1	256632
340	LBP 2120-0340 P1	256603	1190	LBP 2120-1190 P1	256613	2040	LBP 2120-2040 P1	256623	2890	LBP 2120-2890 P1	256633
425	LBP 2120-0425 P1	256604	1275	LBP 2120-1275 P1	256614	2125	LBP 2120-2125 P1	256624	2975	LBP 2120-2975 P1	256634
510	LBP 2120-0510 P1	256605	1360	LBP 2120-1360 P1	256615	2210	LBP 2120-2210 P1	256625	3060	LBP 2120-3060 P1	256635
595	LBP 2120-0595 P1	256606	1445	LBP 2120-1445 P1	256616	2295	LBP 2120-2295 P1	256626	3145	LBP 2120-3145 P1	256636
680	LBP 2120-0680 P1	256607	1530	LBP 2120-1530 P1	256617	2380	LBP 2120-2380 P1	256627	3230	LBP 2120-3230 P1	256637
765	LBP 2120-0765 P1	256608	1615	LBP 2120-1615 P1	256618	2465	LBP 2120-2465 P1	256628	3315	LBP 2120-3315 P1	256638
850	LBP 2120-0850 P1	256609	1700	LBP 2120-1700 P1	256619	2550	LBP 2120-2550 P1	256629	3400	LBP 2120-3400 P1	256639



Version standard

Backflex radius: 60 mm

Max load capacity: 20.000 N/m

Weight: 23.2 Kg/m²

Pin material: PBT (white)

Roller shaft material: Stainless Steel AISI 304

Standard length:

belt width ≤ 340mm: 1.524m belt length

belt width > 340mm, but ≤ 0.935mm: 0.762m belt length

belt width > 0.935mm: belt length on request

Standard material

LFG

Low Friction
Acetal Resin



Pages
4⇒7



Page
312⇒314
+316

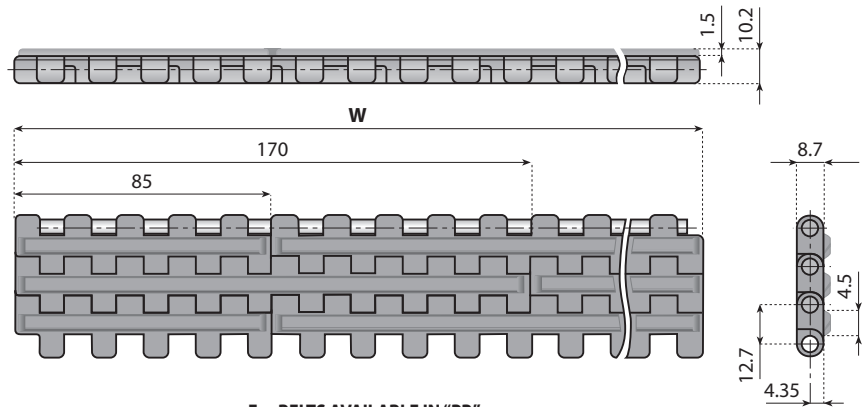
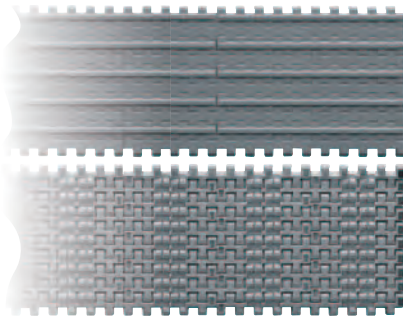


Page
112



Pages
340⇒343

Width W mm	Belts Ref.	Code	Width W mm	Belts Ref.	Code	Width W mm	Belts Ref.	Code	Width W mm	Belts Ref.	Code
85	LBP 2120-0085 P2	256700	935	LBP 2120-0935 P2	256710	1785	LBP 2120-1785 P2	256720	2635	LBP 2120-2635 P2	256730
170	LBP 2120-0170 P2	256701	1020	LBP 2120-1020 P2	256711	1870	LBP 2120-1870 P2	256721	2720	LBP 2120-2720 P2	256731
255	LBP 2120-0255 P2	256702	1105	LBP 2120-1105 P2	256712	1955	LBP 2120-1955 P2	256722	2805	LBP 2120-2805 P2	256732
340	LBP 2120-0340 P2	256703	1190	LBP 2120-1190 P2	256713	2040	LBP 2120-2040 P2	256723	2890	LBP 2120-2890 P2	256733
425	LBP 2120-0425 P2	256704	1275	LBP 2120-1275 P2	256714	2125	LBP 2120-2125 P2	256724	2975	LBP 2120-2975 P2	256734
510	LBP 2120-0510 P2	256705	1360	LBP 2120-1360 P2	256715	2210	LBP 2120-2210 P2	256725	3060	LBP 2120-3060 P2	256735
595	LBP 2120-0595 P2	256706	1445	LBP 2120-1445 P2	256716	2295	LBP 2120-2295 P2	256726	3145	LBP 2120-3145 P2	256736
680	LBP 2120-0680 P2	256707	1530	LBP 2120-1530 P2	256717	2380	LBP 2120-2380 P2	256727	3230	LBP 2120-3230 P2	256737
765	LBP 2120-0765 P2	256708	1615	LBP 2120-1615 P2	256718	2465	LBP 2120-2465 P2	256728	3315	LBP 2120-3315 P2	256738
850	LBP 2120-0850 P2	256709	1700	LBP 2120-1700 P2	256719	2550	LBP 2120-2550 P2	256729	3400	LBP 2120-3400 P2	256739



With guide bar

Belt material: low friction acetal resin, dark grey colour

Backflex radius: 20 mm

Max load capacity: 20.000 N/m

Pin material: PBT (white)

Standard length:

belt width ≤ 340mm: 3.048m belt length

belt width > 340mm, but ≤ 1.700mm: 1.524m belt length

belt width > 1.700mm: belt length on request

For BELTS AVAILABLE IN "PP" material just add "PP" to part number (example "code 256800-PP")

Standard materials

LFG	PP
Low Friction Acetal Resin	Polypropylene



Pages 4→7



Page 312→314 +316

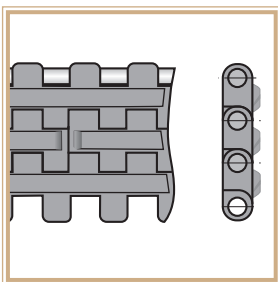


Page 112



Pages 340→343

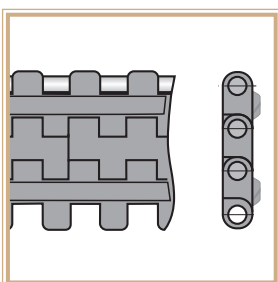
TYPE GB 2120



Weight: 10.4 Kg/m²

Width W mm	Belts Ref.	Code	Width W mm	Belts Ref.	Code	Width W mm	Belts Ref.	Code
85	GB 2120-0085	256800	935	GB 2120-0935	256810	1785	GB 2120-1785	256820
170	GB 2120-0170	256801	1020	GB 2120-1020	256811	1870	GB 2120-1870	256821
255	GB 2120-0255	256802	1105	GB 2120-1105	256812	1955	GB 2120-1955	256822
340	GB 2120-0340	256803	1190	GB 2120-1190	256813	2040	GB 2120-2040	256823
425	GB 2120-0425	256804	1275	GB 2120-1275	256814	2125	GB 2120-2125	256824
510	GB 2120-0510	256805	1360	GB 2120-1360	256815	2210	GB 2120-2210	256825
595	GB 2120-0595	256806	1445	GB 2120-1445	256816	2295	GB 2120-2295	256826
680	GB 2120-0680	256807	1530	GB 2120-1530	256817	2380	GB 2120-2380	256827
765	GB 2120-0765	256808	1615	GB 2120-1615	256818			
850	GB 2120-0850	256809	1700	GB 2120-1700	256819			

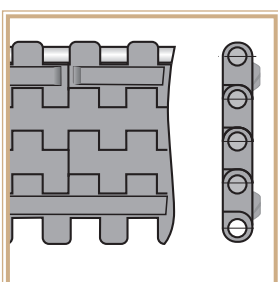
TYPE GB2 2120



Weight: 10.1 Kg/m²

Width W mm	Belts Ref.	Code	Width W mm	Belts Ref.	Code	Width W mm	Belts Ref.	Code
85	GB2 2120-0085	256900	935	GB2 2120-0935	256910	1785	GB2 2120-1785	256920
170	GB2 2120-0170	256901	1020	GB2 2120-1020	256911	1870	GB2 2120-1870	256921
255	GB2 2120-0255	256902	1105	GB2 2120-1105	256912	1955	GB2 2120-1955	256922
340	GB2 2120-0340	256903	1190	GB2 2120-1190	256913	2040	GB2 2120-2040	256923
425	GB2 2120-0425	256904	1275	GB2 2120-1275	256914	2125	GB2 2120-2125	256924
510	GB2 2120-0510	256905	1360	GB2 2120-1360	256915	2210	GB2 2120-2210	256925
595	GB2 2120-0595	256906	1445	GB2 2120-1445	256916	2295	GB2 2120-2295	256926
680	GB2 2120-0680	256907	1530	GB2 2120-1530	256917	2380	GB2 2120-2380	256927
765	GB2 2120-0765	256908	1615	GB2 2120-1615	256918			
850	GB2 2120-0850	256909	1700	GB2 2120-1700	256919			

TYPE GB3 2120



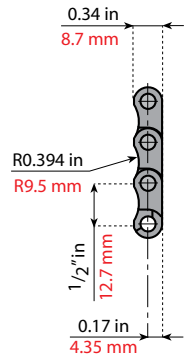
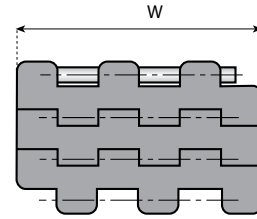
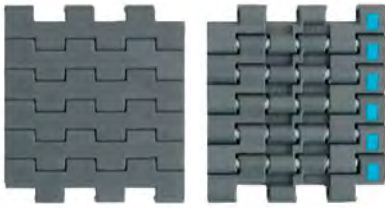
Weight: 9.9 Kg/m²

Width W mm	Belts Ref.	Code	Width W mm	Belts Ref.	Code	Width W mm	Belts Ref.	Code
85	GB3 2120-0085	257000	935	GB3 2120-0935	257010	1785	GB3 2120-1785	257020
170	GB3 2120-0170	257001	1020	GB3 2120-1020	257011	1870	GB3 2120-1870	257021
255	GB3 2120-0255	257002	1105	GB3 2120-1105	257012	1955	GB3 2120-1955	257022
340	GB3 2120-0340	257003	1190	GB3 2120-1190	257013	2040	GB3 2120-2040	257023
425	GB3 2120-0425	257004	1275	GB3 2120-1275	257014	2125	GB3 2120-2125	257024
510	GB3 2120-0510	257005	1360	GB3 2120-1360	257015	2210	GB3 2120-2210	257025
595	GB3 2120-0595	257006	1445	GB3 2120-1445	257016	2295	GB3 2120-2295	257026
680	GB3 2120-0680	257007	1530	GB3 2120-1530	257017	2380	GB3 2120-2380	257027
765	GB3 2120-0765	257008	1615	GB3 2120-1615	257018			
850	GB3 2120-0850	257009	1700	GB3 2120-1700	257019			

Other widths available on request.

2121 H FT

FLAT TOP IMPERIAL SIZE BELTS ONE TRACK DEDICATED WIDTHS



Dedicated widths

Pin material: PBT (white)

Standard materials

LFG	NGG
Low Friction Acetal Resin	New Generation



Pages 4⇨7



Page 312⇨314 +316



Page 112



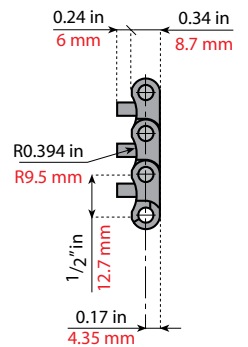
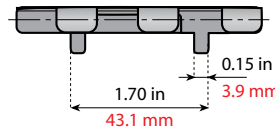
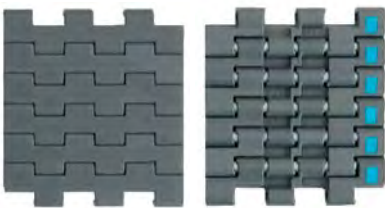
Pages 340⇨343

FOR BELTS AVAILABLE IN "NGG" MATERIAL JUST ADD "NGG" TO PART NUMBER (EXAMPLE "CODE 26050-NGG")

Belts - Ref.	Code	Material	Width W		Pitch P		Backflex radius mm		Max load capacity		Weight	
			mm	inch	mm	inch	mm	inch	N	lbs	Kg/m ²	lbs/ft ²
LFG 2121 K300 FT	26050	LFG Dark Grey	76.2	3.00	12.7	1/2"	10	0.4"	1524	342	8.8	1.8
LFG 2121 K325 FT	26051		82.6	3.25					1652	371		
LFG 2121 K450 FT	26052		114.3	4.50					2286	514		
LFG 2121 K600 FT	26053		152.4	6.00					3048	685		
LFG 2121 K750 FT	26054		190.5	7.50					3810	856		

2121 H FTP2

FLAT TOP IMPERIAL SIZE BELTS ONE TRACK DEDICATED WIDTHS



Version with two positioners

Pin material: PBT (white)

Standard materials

LFG	NGG
Low Friction Acetal Resin	New Generation



Pages 4⇨7



Page 312⇨314 +316



Page 112

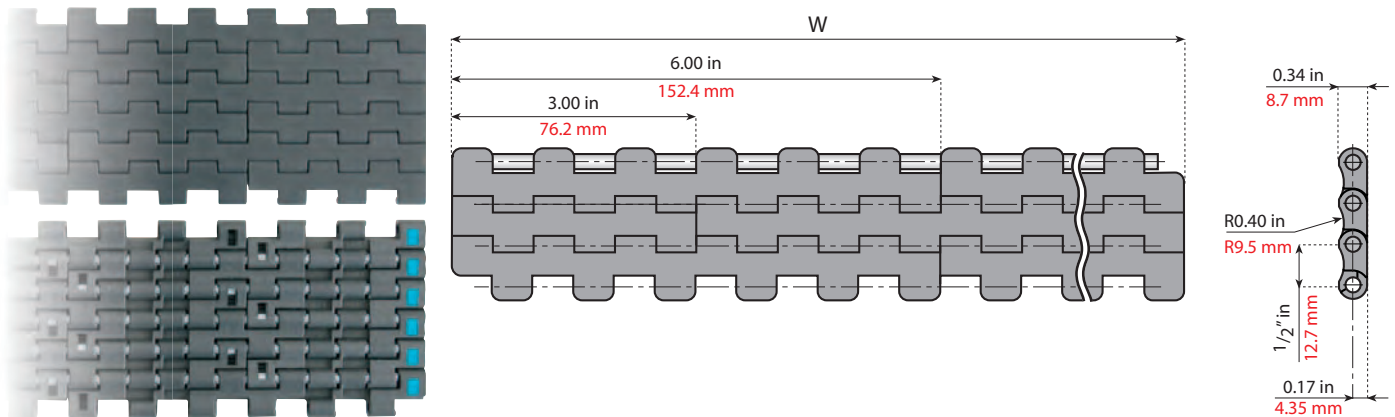


Pages 340⇨343

FOR BELTS AVAILABLE IN "NGG" MATERIAL JUST ADD "NGG" TO PART NUMBER (EXAMPLE "CODE 26050-NGG")

Belts - Ref.	Code	Material	Width W		Pitch P		Backflex radius mm		Max load capacity		Weight	
			mm	inch	mm	inch	mm	inch	N/m	lbs/ft	Kg/m ²	lbs/ft ²
LFG 2121 K300 FTP2	26055	LFG Dark Grey	76.2	3.00	12.7	1/2"	10	0.4"	20.000	1370	8.8	1.8
LFG 2121 K325 FTP2	26056		82.6	3.25								
LFG 2121 K450 FTP2	26057		114.3	4.50								
LFG 2121 K600 FTP2	26058		152.4	6.00								
LFG 2121 K750 FTP2	26059		190.5	7.50								

Other widths available on request. **Standard length:** 240 pitches (10 ft. - 3.048 m)



Backflex radius: 10 mm - 0.4" inch.

Max load capacity: 20.000 N/m - 1370 lbs/ft

Weight: 8.8 Kg/m² - 1.8 lbs/ft²

Pin material: PBT (white)

Standard length:

belt width ≤ 15 inch: 3.048m belt length

belt width > 15inch, but ≤ 66 inch: 1.524m belt length

belt width > 66 inch: belt length on request

Standard materials

LFG	NGG
Low Friction Acetal Resin	New Generation



Pages 4⇌7



Page 312⇌314 +316



Page 112



Pages 340⇌343

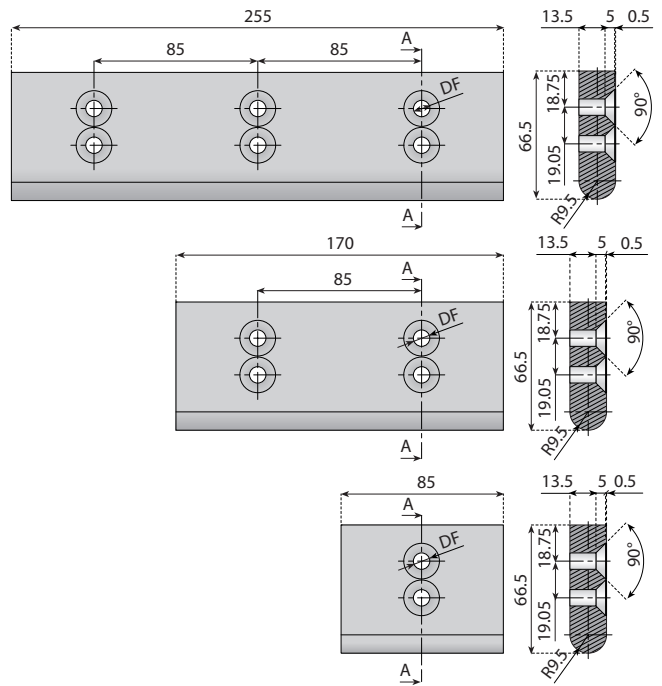
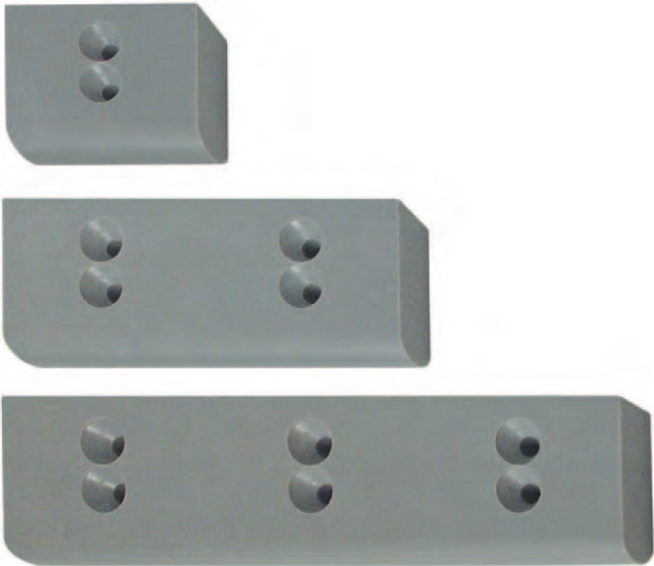
FOR BELTS AVAILABLE IN "NGG" MATERIAL JUST ADD "NGG" TO PART NUMBER (EXAMPLE "CODE 26050-NGG")

Width W				Width W				Width W				Width W					
inch		mm		inch		mm		inch		mm		inch		mm			
		Belts Ref.		Code				Belts Ref.		Code				Belts Ref.		Code	
3.00	76	2121-0003 FT	26050	33.00	838	2121-0033 FT	261110	63.00	1600	2121-0063 FT	261120	93.00	2362	2121-0093 FT	261130		
6.00	152	2121-0006 FT	26053	36.00	914	2121-0036 FT	261111	66.00	1676	2121-0066 FT	261121	96.00	2438	2121-0096 FT	261131		
9.00	229	2121-0009 FT	261102	39.00	991	2121-0039 FT	261112	69.00	1753	2121-0069 FT	261122	99.00	2515	2121-0099 FT	261132		
12.00	305	2121-0012 FT	261103	42.00	1067	2121-0042 FT	261113	72.00	1829	2121-0072 FT	261123	102.00	2591	2121-0102 FT	261133		
15.00	381	2121-0015 FT	261104	45.00	1143	2121-0045 FT	261114	75.00	1905	2121-0075 FT	261124	105.00	2667	2121-0105 FT	261134		
18.00	457	2121-0018 FT	261105	48.00	1219	2121-0048 FT	261115	78.00	1981	2121-0078 FT	261125	108.00	2743	2121-0108 FT	261135		
21.00	533	2121-0021 FT	261106	51.00	1295	2121-0051 FT	261116	81.00	2057	2121-0081 FT	261126	111.00	2819	2121-0111 FT	261136		
24.00	610	2121-0024 FT	261107	54.00	1372	2121-0054 FT	261117	84.00	2134	2121-0084 FT	261127	114.00	2896	2121-0114 FT	261137		
27.00	686	2121-0027 FT	261108	57.00	1448	2121-0057 FT	261118	87.00	2210	2121-0087 FT	261128	117.00	2972	2121-0117 FT	261138		
30.00	762	2121-0030 FT	261109	60.00	1524	2121-0060 FT	261119	90.00	2286	2121-0090 FT	261129	120.00	3048	2121-0120 FT	261139		

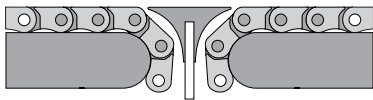
Other widths available on request.

2120 SERIES

NOSE BAR FOR 0.5 pitch BELT



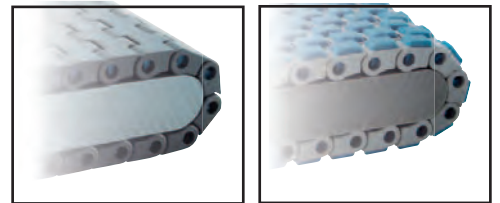
CAN BE USED WITH A NOSE BAR
TO CREATE EXTREMELY SHORT TRANSFERS.



Standard material: Nolu-S

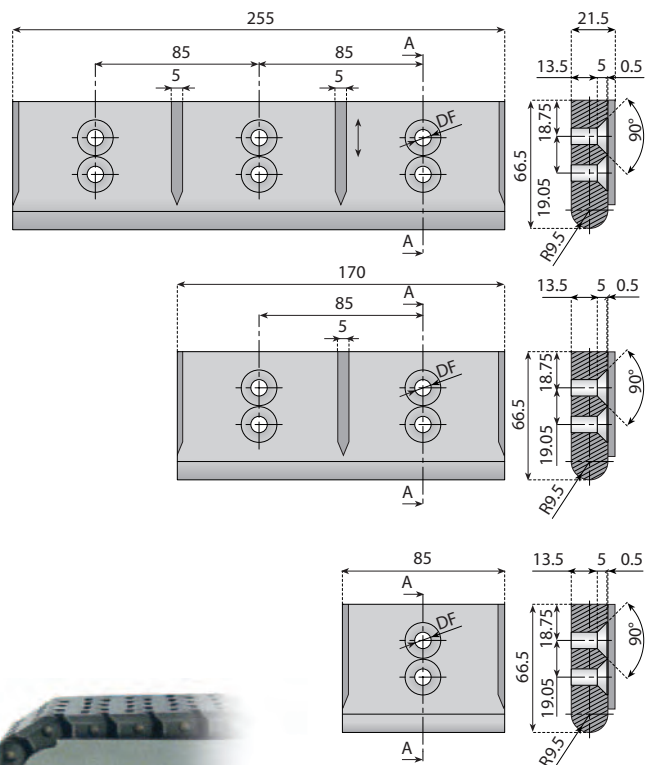
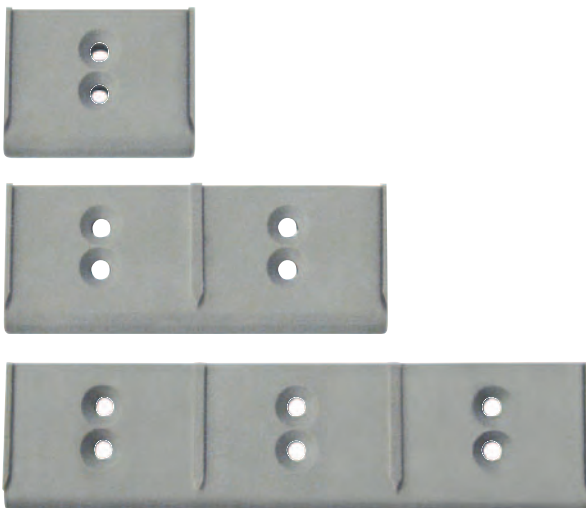
CODE	Total Width mm	Total Height mm	Radius mm	DF mm
14143	85	19	9.5	8.5
14144	170			
14145	255			

For belts with positioners,
grooves can optionally be
machined into the nose bar

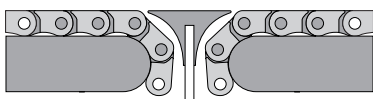


2120M

NOSE BAR for FlowFlex



CAN BE USED WITH A NOSE BAR
TO CREATE EXTREMELY SHORT TRANSFERS.



Standard material: Nolu-S

CODE	Total Width mm	Total Height mm	Radius mm	DF mm
14143M	85	19	9.5	8.5
14144M	170			
14145M	255			



Plastic modular conveyor belt

Series

[2190 FT](#)

[2190 FG](#)

Pages

[114 ▶ 115](#)

[116 ▶ 117](#)

All our 2190 series belts have a pitch of 19.05 mm ($\frac{3}{4}$ inch) and a height of 8.7 mm ($1\frac{1}{32}$ inch).

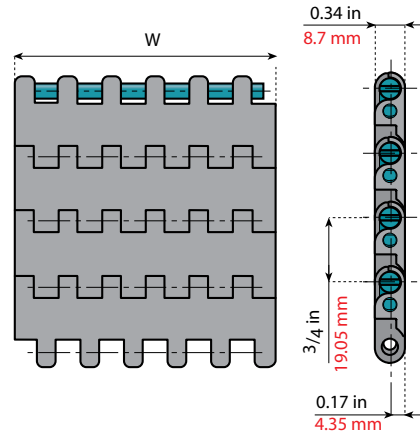
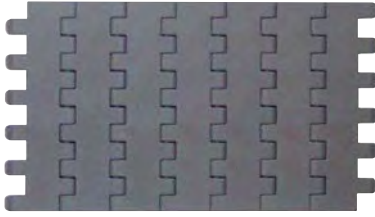
BENEFITS AND FEATURES:

- RELATIVELY SHORT PITCH.
- HIGH STRENGTH.
- EASY INSTALLATION AND MAINTENANCE WITH PIN-CLIP SYSTEM.
- SMOOTH OPERATION.
- EXCELLENT PRODUCT HANDLING.
- IMPERIAL WIDTHS.



2190 FT

FLAT TOP IMPERIAL SIZE BELTS ONE TRACK (Pitch 3/4" - 19.05 mm)



Dedicated widths

Pin material: PBT (water blue)

Standard materials

LFG	NGG
Low Friction Acetal Resin	New Generation



Pages
4⇒7



Pages
317



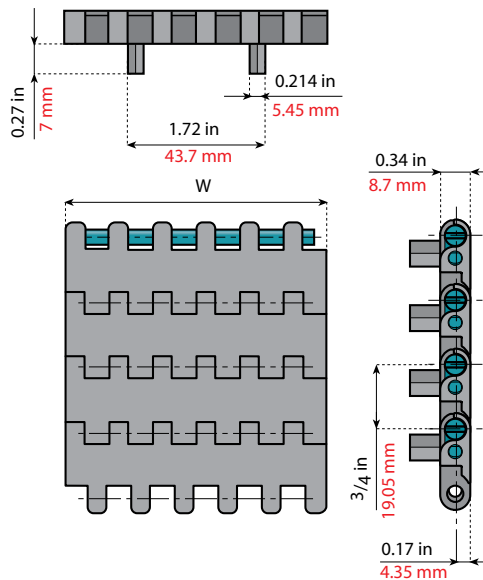
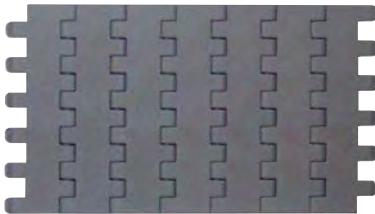
Pages
340⇒343

FOR BELTS AVAILABLE IN "NGG" MATERIAL JUST ADD "NGG" TO PART NUMBER (EXAMPLE "CODE 26050-NGG")

Belts - Ref.	Code	Material	Width W		Pitch P		Backflex radius		Max load capacity		Weight	
			mm	inch	mm	inch	mm	inch	N	lbs	Kg/m ²	lbs/ft ²
LFG 2190 K300 FT	261300	LFG Dark Grey	76.2	3.00	19.05	0.75	20	0.79	2286	513	7.4	1.5
LFG 2190 K325 FT	261340		82.6	3.25					2478	556		
LFG 2190 K450 FT	261341		114.3	4.50					3429	771		
LFG 2190 K600 FT	261301		152.4	6.00					4572	1027		
LFG 2190 K750 FT	261342		190.5	7.50					5715	1284		

2190 FTP2

FLAT TOP IMPERIAL SIZE BELTS ONE TRACK (Pitch 3/4" - 19.05 mm)



Version with two positioners

Pin material: PBT (water blue)

Standard materials

LFG	NGG
Low Friction Acetal Resin	New Generation



Pages
4⇒7



Pages
317



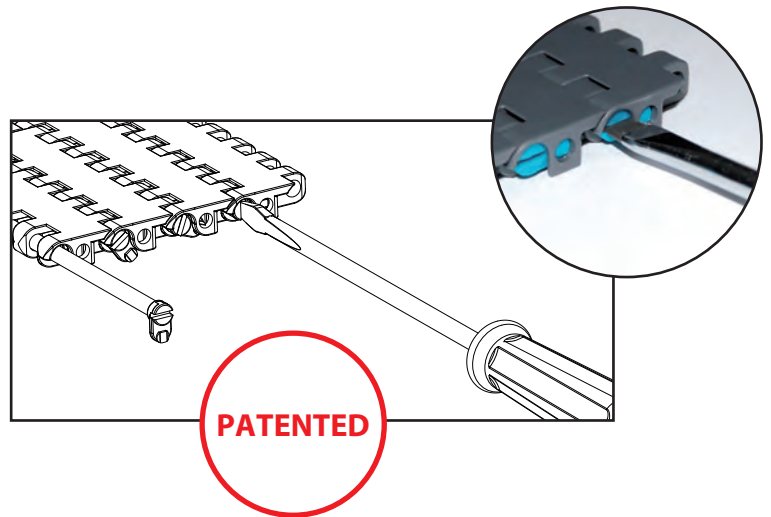
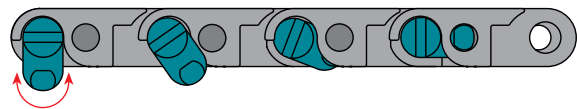
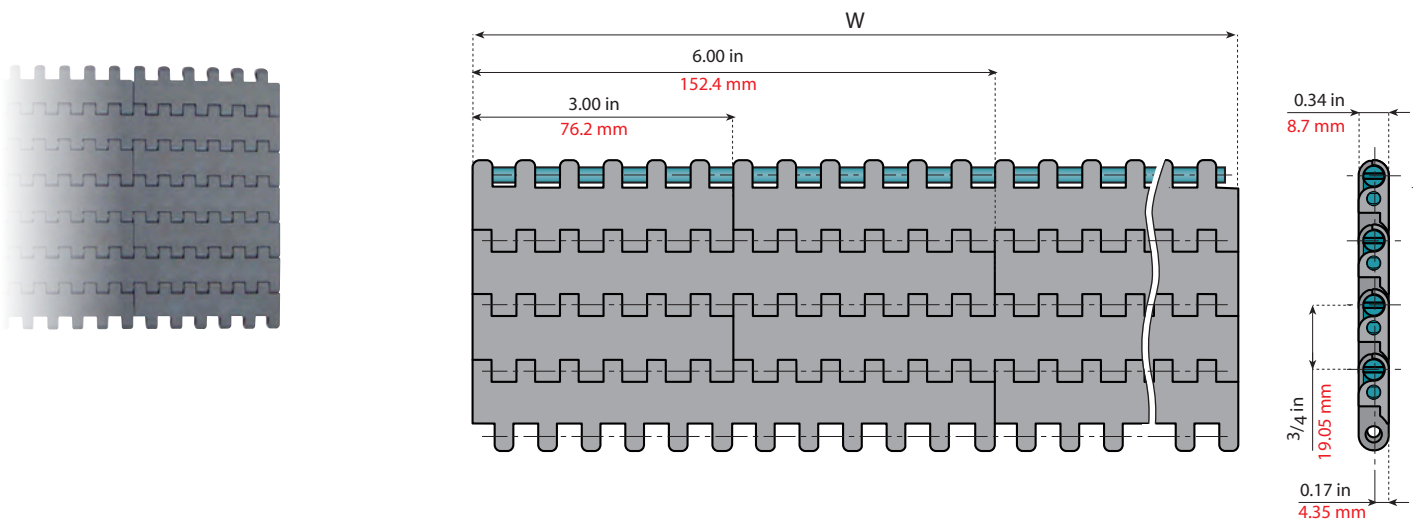
Pages
340⇒343

FOR BELTS AVAILABLE IN "NGG" MATERIAL JUST ADD "NGG" TO PART NUMBER (EXAMPLE "CODE 26050-NGG")

Belts - Ref.	Code	Material	Width W		Pitch P		Backflex radius		Max load capacity		Weight	
			mm	inch	mm	inch	mm	inch	N	lbs	Kg/m ²	lbs/ft ²
LFG 2190 K300 FTP2	261343	LFG Dark Grey	76.2	3.00	19.05	0.75	20	0.79	2286	513	7.4	1.5
LFG 2190 K325 FTP2	261344		82.6	3.25					2478	556		
LFG 2190 K450 FTP2	261345		114.3	4.50					3429	771		
LFG 2190 K600 FTP2	261346		152.4	6.00					4572	1027		
LFG 2190 K750 FTP2	261347		190.5	7.50					5715	1284		

Standard length: 160 pitches (10 ft. - 3.048 m)

Other widths available on request.



Backflex radius: 20 mm - 0.79 inch.
Max load capacity: 30.000 N/m - 2.056 lbs/ft
Weight: 8.2 Kg/m² - 1.7 lb/ft²
Pin material: PBT (water blue)
Standard length:
 belt width ≤ 15 inch: 3.048m belt length
 belt width > 15inch, but ≤ 66 inch: 1.524m belt length
 belt width > 66 inch: belt length on request

Standard materials

LFG	NGG
Low Friction Acetal Resin	New Generation

MATERIAL Pages 4⇒7 Pages 317 Pages 340⇒343

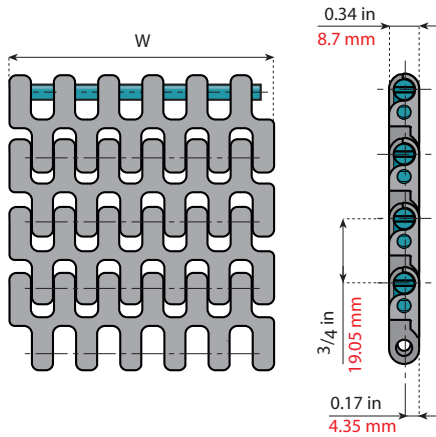
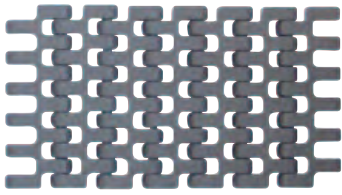
FOR BELTS AVAILABLE IN "NGG" MATERIAL JUST ADD "NGG" TO PART NUMBER (EXAMPLE "CODE 261300-NGG")

Width W		Belts Ref.	Code	Width W		Belts Ref.	Code	Width W		Belts Ref.	Code	Width W		Belts Ref.	Code
inch	mm			inch	mm			inch	mm			inch	mm		
3.00	76	2190-0003 FT	261300	33.00	838	2190-0033 FT	261310	63.00	1600	2190-0063 FT	261320	93.00	2362	2190-0093 FT	261330
6.00	152	2190-0006 FT	261301	36.00	914	2190-0036 FT	261311	66.00	1676	2190-0066 FT	261321	96.00	2438	2190-0096 FT	261331
9.00	229	2190-0009 FT	261302	39.00	991	2190-0039 FT	261312	69.00	1753	2190-0069 FT	261322	99.00	2515	2190-0099 FT	261332
12.00	305	2190-0012 FT	261303	42.00	1067	2190-0042 FT	261313	72.00	1829	2190-0072 FT	261323	102.00	2591	2190-0102 FT	261333
15.00	381	2190-0015 FT	261304	45.00	1143	2190-0045 FT	261314	75.00	1905	2190-0075 FT	261324	105.00	2667	2190-0105 FT	261334
18.00	457	2190-0018 FT	261305	48.00	1219	2190-0048 FT	261315	78.00	1981	2190-0078 FT	261325	108.00	2743	2190-0108 FT	261335
21.00	533	2190-0021 FT	261306	51.00	1295	2190-0051 FT	261316	81.00	2057	2190-0081 FT	261326	111.00	2819	2190-0111 FT	261336
24.00	610	2190-0024 FT	261307	54.00	1372	2190-0054 FT	261317	84.00	2134	2190-0084 FT	261327	114.00	2896	2190-0114 FT	261337
27.00	686	2190-0027 FT	261308	57.00	1448	2190-0057 FT	261318	87.00	2210	2190-0087 FT	261328	117.00	2972	2190-0117 FT	261338
30.00	762	2190-0030 FT	261309	60.00	1524	2190-0060 FT	261319	90.00	2286	2190-0090 FT	261329	120.00	3048	2190-0120 FT	261339

Other widths available on request.

2190 FG

FLUSH GRID IMPERIAL SIZE BELTS ONE TRACK (Pitch 3/4" - 19.05 mm)



Dedicated widths
Pin material: PBT (water blue)
Open surface: 19%

Standard materials

LFG	NGG
Low Friction Acetal Resin	New Generation

MATERIAL Pages 4⇒7

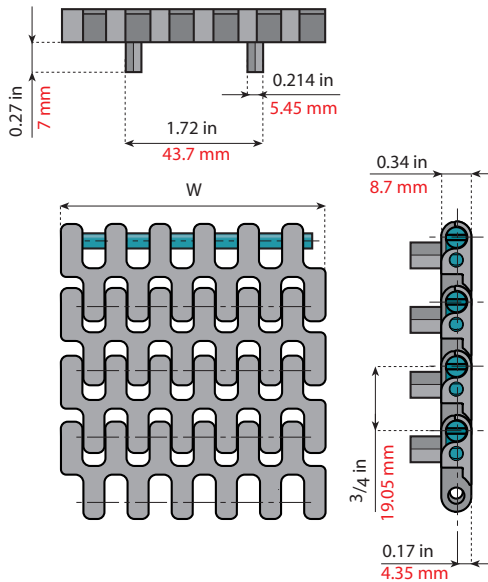
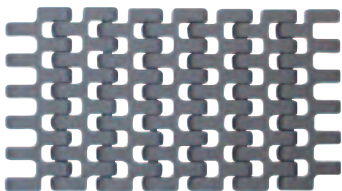
Pages 317

Pages 340⇒343

Belts - Ref.	Code	Material	Width W		Pitch P		Backflex radius		Max load capacity		Weight	
			mm	inch	mm	inch	mm	inch	N	lbs	Kg/m ²	lbs/ft ²
LFG 2190 K300 FG	261350	LFG Dark Grey	76.2	3.00	19.05	0.75	20	0.79	2286	513	6.4	1.3
LFG 2190 K325 FG	261390		82.6	3.25					2478	556		
LFG 2190 K450 FG	261391		114.3	4.50					3429	771		
LFG 2190 K600 FG	261351		152.4	6.00					4572	1027		
LFG 2190 K750 FG	261392		190.5	7.50					5715	1284		

2190 FGP2

FLUSH GRID IMPERIAL SIZE BELTS ONE TRACK (Pitch 3/4" - 19.05 mm)



Version with two positioners
Pin material: PBT (water blue)
Open surface: 19%

Standard materials

LFG	NGG
Low Friction Acetal Resin	New Generation

MATERIAL Pages 4⇒7

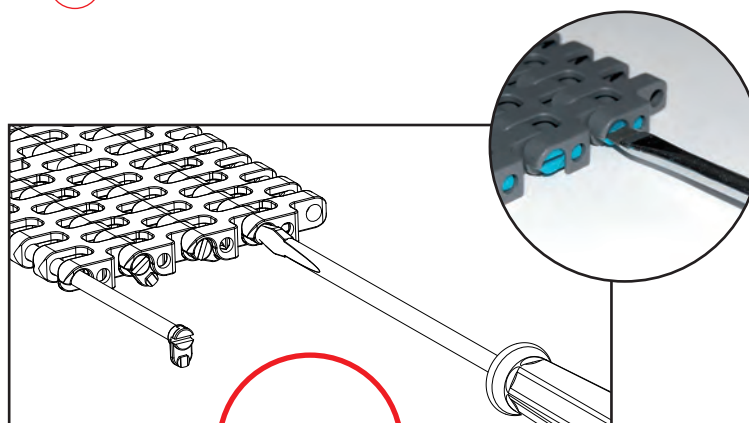
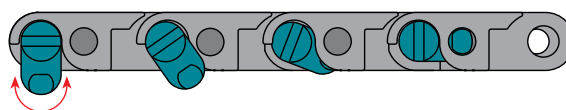
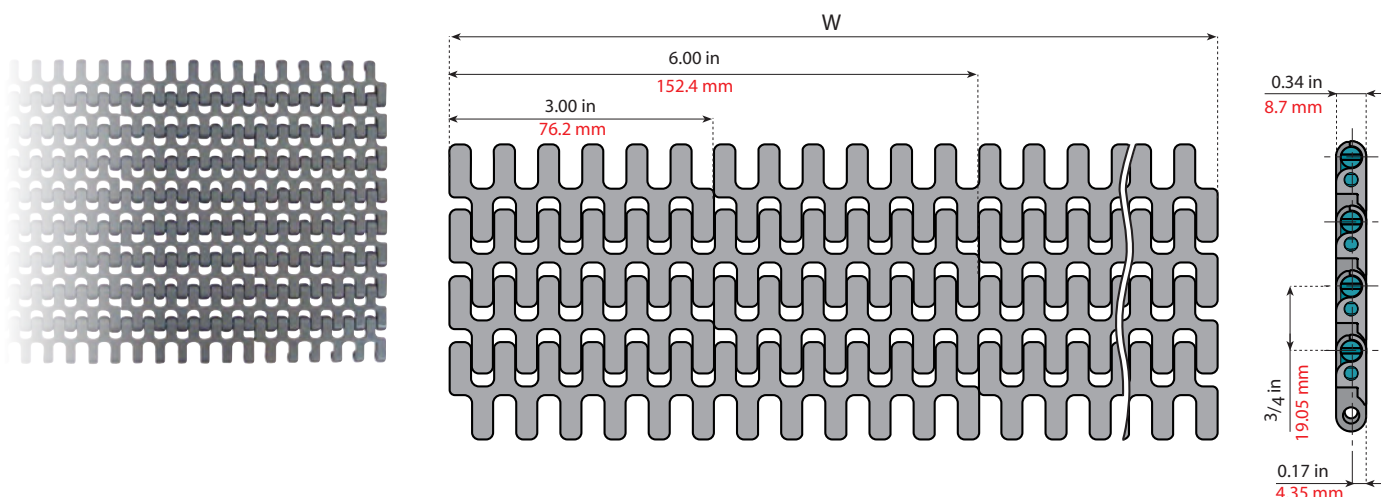
Pages 317

Pages 340⇒343

Belts - Ref.	Code	Material	Width W		Pitch P		Backflex radius		Max load capacity		Weight	
			mm	inch	mm	inch	mm	inch	N	lbs	Kg/m ²	lbs/ft ²
LFG 2190 K300 FGP2	261393	LFG Dark Grey	76.2	3.00	19.05	0.75	20	0.79	2286	513	6.4	1.3
LFG 2190 K325 FGP2	261394		82.6	3.25					2478	556		
LFG 2190 K450 FGP2	261395		114.3	4.50					3429	771		
LFG 2190 K600 FGP2	261396		152.4	6.00					4572	1027		
LFG 2190 K750 FGP2	261397		190.5	7.50					5715	1284		

Standard length: 160 pitches (10 ft. - 3.048 m)

Other widths available on request.



PATENTED

Backflex radius: 20 mm - 0.79 inch.
Max load capacity: 30.000 N/m - 2.056 lbs/ft
Weight: 7.7 Kg/m² - 1.6 lb/ft²
Pin material: PBT (water blue)
Open surface: 19%
Standard length:
 belt width ≤ 15 inch: 3.048m belt length
 belt width > 15inch, but ≤ 66 inch: 1.524m belt length
 belt width > 66 inch: belt length on request

Standard materials

LFG	NGG
Low Friction Acetal Resin	New Generation

 Pages 4-7
 Pages 317
 Pages 340⇒343

FOR BELTS AVAILABLE IN "NGG" MATERIAL JUST ADD "NGG" TO PART NUMBER (EXAMPLE "CODE 261350-NGG")

Width W		Belts Ref.	Code	Width W		Belts Ref.	Code	Width W		Belts Ref.	Code	Width W		Belts Ref.	Code
inch	mm			inch	mm			inch	mm			inch	mm		
3.00	76	2190-0003 FG	261350	33.00	838	2190-0033 FG	261360	63.00	1600	2190-0063 FG	261370	93.00	2362	2190-0093 FG	261380
6.00	152	2190-0006 FG	261351	36.00	914	2190-0036 FG	261361	66.00	1676	2190-0066 FG	261371	96.00	2438	2190-0096 FG	261381
9.00	229	2190-0009 FG	261352	39.00	991	2190-0039 FG	261362	69.00	1753	2190-0069 FG	261372	99.00	2515	2190-0099 FG	261382
12.00	305	2190-0012 FG	261353	42.00	1067	2190-0042 FG	261363	72.00	1829	2190-0072 FG	261373	102.00	2591	2190-0102 FG	261383
15.00	381	2190-0015 FG	261354	45.00	1143	2190-0045 FG	261364	75.00	1905	2190-0075 FG	261374	105.00	2667	2190-0105 FG	261384
18.00	457	2190-0018 FG	261355	48.00	1219	2190-0048 FG	261365	78.00	1981	2190-0078 FG	261375	108.00	2743	2190-0108 FG	261385
21.00	533	2190-0021 FG	261356	51.00	1295	2190-0051 FG	261366	81.00	2057	2190-0081 FG	261376	111.00	2819	2190-0111 FG	261386
24.00	610	2190-0024 FG	261357	54.00	1372	2190-0054 FG	261367	84.00	2134	2190-0084 FG	261377	114.00	2896	2190-0114 FG	261387
27.00	686	2190-0027 FG	261358	57.00	1448	2190-0057 FG	261368	87.00	2210	2190-0087 FG	261378	117.00	2972	2190-0117 FG	261388
30.00	762	2190-0030 FG	261359	60.00	1524	2190-0060 FG	261369	90.00	2286	2190-0090 FG	261379	120.00	3048	2190-0120 FG	261389

Other widths available on request.

PLASTIC MODULAR CONVEYOR BELT

Series

[2250 FT](#)

[2250 FG](#)

[2250 VG](#)

[2250 FLIGHTS](#)

[2253 RT](#)

[2253 FT](#)

Pages

[120 → 128](#)

[129 → 137](#)

[138 → 143](#)

[144 → 145](#)

[146 → 147](#)

[148](#)

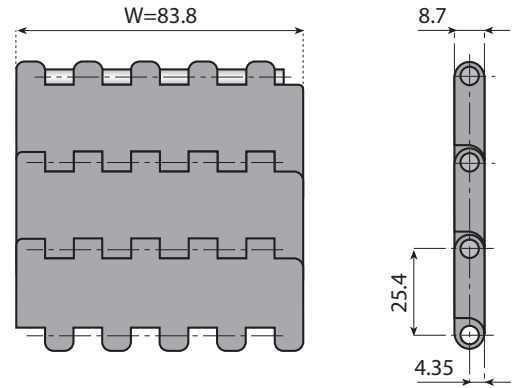
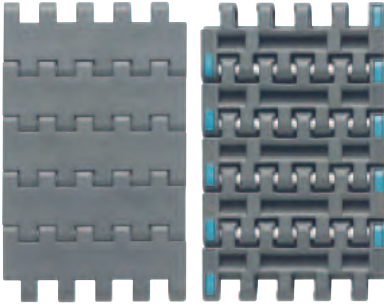
All our straight running belts of the 2250 and 2253 series have a pitch of 25.4 mm (1 inch) and a height of 8.7 mm ($1\frac{1}{32}$ inch).

BENEFITS AND FEATURES

- ***EASY INSTALLATION AND MAINTENANCE***
- ***HIGH MECHANICAL STRENGTH AND WEAR RESISTANCE***
- ***NO GAPS BETWEEN PARALLEL CHAINS***
- ***EXCELLENT PRODUCT HANDLING***
- ***INSTALLATION ON STANDARD CONVEYORS WITH 85 mm PITCH BETWEEN TRACKS***
- ***HIGH PERFORMANCE***

2250 K330

FLAT TOP BELTS ONE TRACK



Version standard

Pin material: PBT (white)

Standard materials

LFG	NGG
Low Friction Acetal Resin	New Generation



Pages
4⇒7



Pages
318⇒320

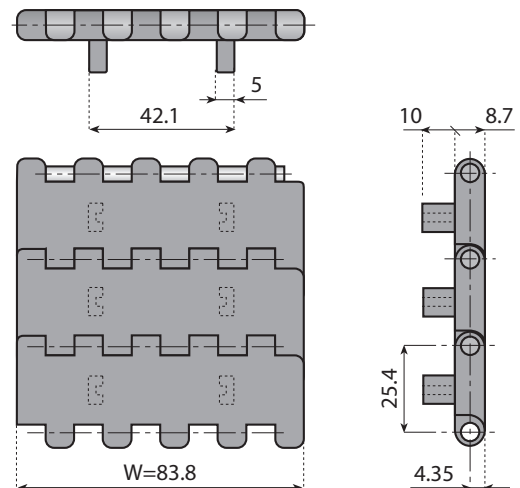
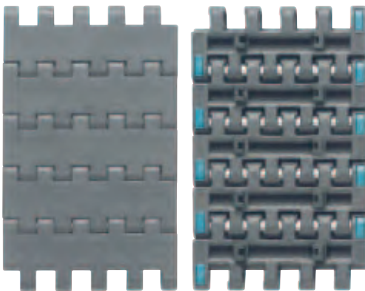


Pages
340⇒343

Belts - Ref.	Code	Material	Width W		Pitch P		Backflex radius mm	Max load capacity N	Weight Kg/m ²
			mm	inch	mm	inch			
LFG 2250 K330 FT	25000	LFG Dark Grey	83.8	3.30	25.4	1.00	25	2095	6.40
NGG 2250 K330 FT	25000NGG	NGG Light Grey							

2250 K330 FTP2

FLAT TOP BELTS ONE TRACK



Version with two positioners

Pin material: PBT (white)

Standard materials

LFG	NGG
Low Friction Acetal Resin	New Generation



Pages
4⇒7



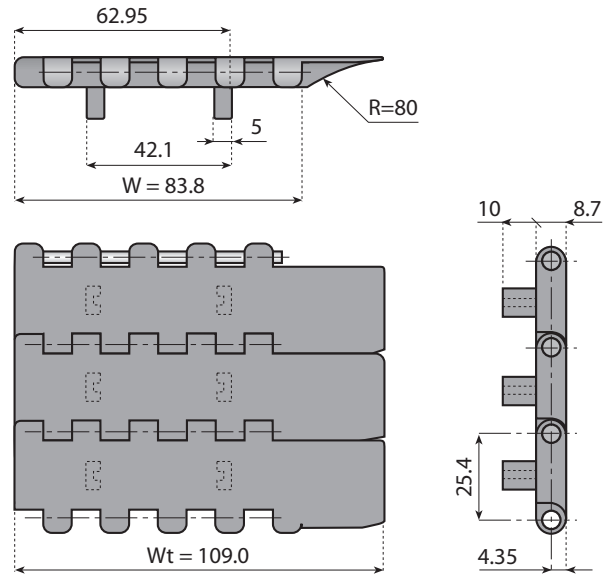
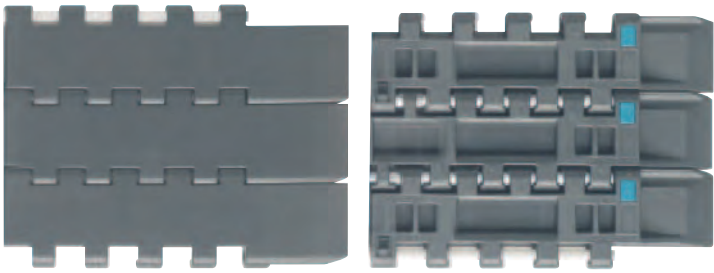
Pages
318⇒320



Pages
340⇒343

Belts - Ref.	Code	Material	Width W		Pitch P		Backflex radius mm	Max load capacity N	Weight Kg/m ²
			mm	inch	mm	inch			
LFG 2250 K330 FTP2	25001	LFG Dark Grey	83.8	3.30	25.4	1.00	25	2095	6.40
NGG 2250 K330 FTP2	25001NGG	NGG Light Grey							

Standard length: 120 pitches (10 ft. - 3.048 m)



Version with two positioner wing
Pin material: PBT (white)

Standard materials

LFG	NGG
Low Friction Acetal Resin	New Generation



Pages 4→7



Pages 318→320

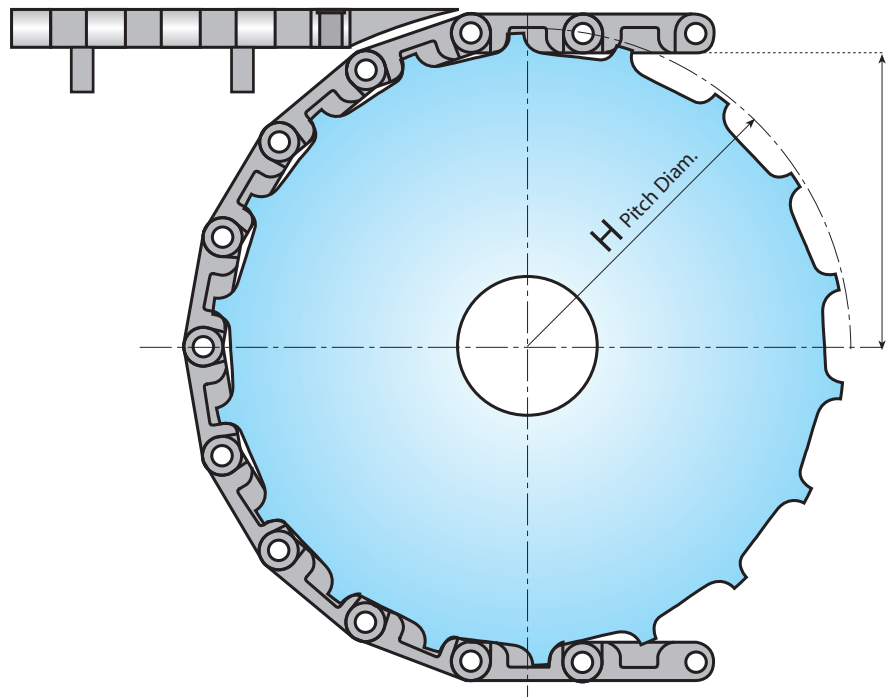


Pages 340→343

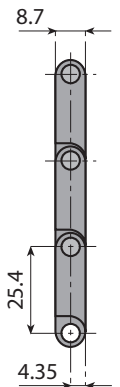
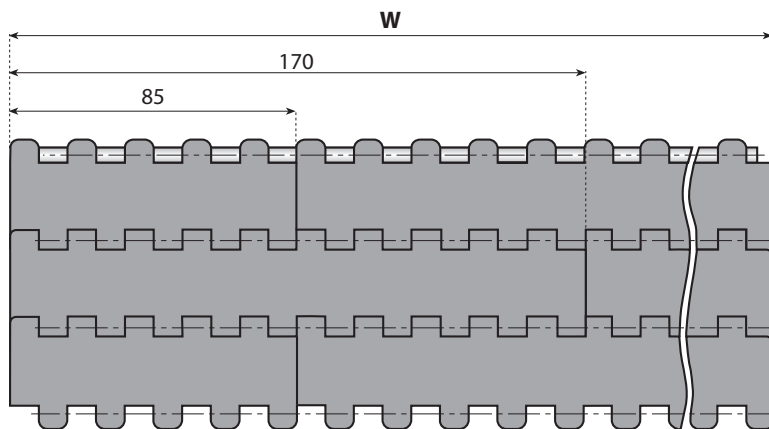
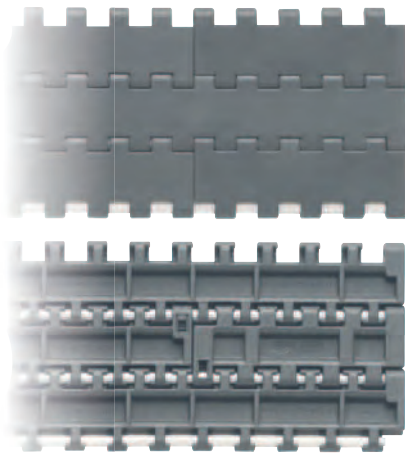
Belts - Ref.	Code	Material	Width W		Pitch P		Backflex radius mm	Max load capacity N	Weight Kg/m ²
			mm	inch	mm	inch			
LFG 2250 K330 FTTP2	25002	LFG Dark Grey	83.8	3.30	25.4	1.00	30	2095	6.50
NGG 2250 K330 FTTP2	25002NGG	NGG Light Grey							

Standard length: 120 pitches (10 ft. - 3.048 m)

EXAMPLE INSTALLATION



For further information contact our
 Technical Support Department



Version standard

Backflex radius: 25 mm

Max load capacity: 25.000 N/m

Weight: 7.4 Kg/m²

Pin material: PBT (white)

Standard length:

belt width ≤ 0.340mm: 3.048m belt length

belt width > 0.340mm, but ≤ 1.700mm: 1.524m belt length

belt width > 1.700: belt length on request

Standard materials

LFG	NGG
Low Friction Acetal Resin	New Generation



Pages
4⇒7



Pages
318⇒320

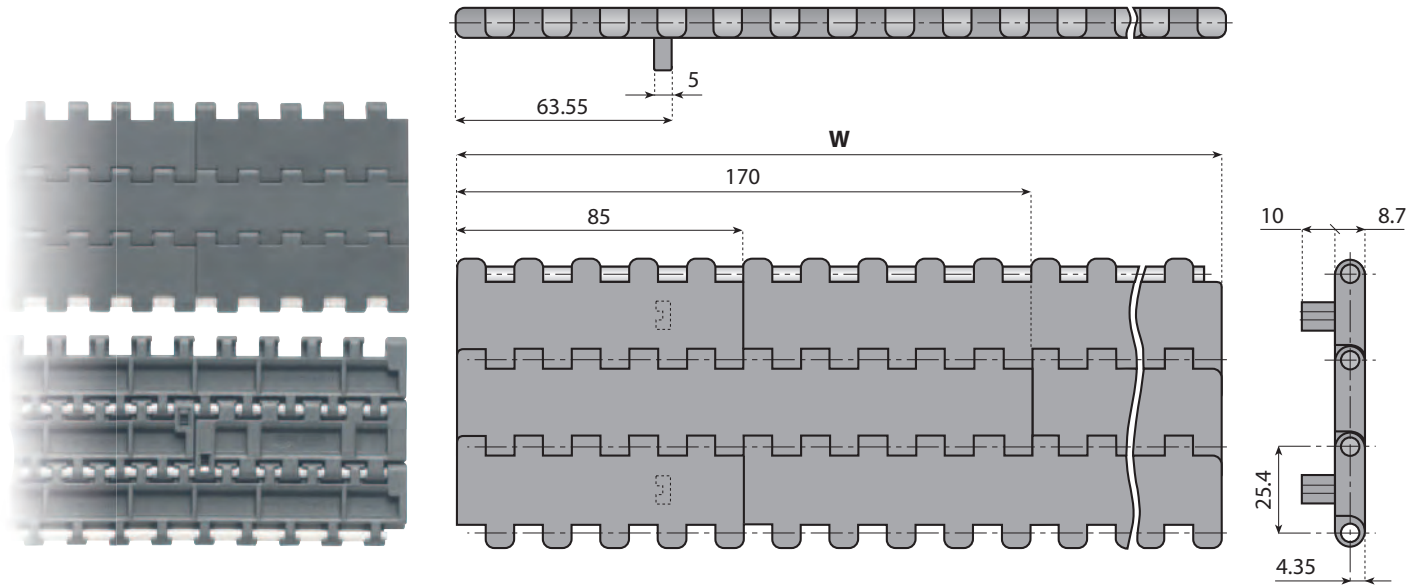


Pages
340⇒343

FOR BELTS AVAILABLE IN "NGG" MATERIAL JUST ADD "NGG" TO PART NUMBER (EXAMPLE "CODE 25100-NGG")

Width W mm	Belts Ref.	Code	Width W mm	Belts Ref.	Code	Width W mm	Belts Ref.	Code	Width W mm	Belts Ref.	Code
85	2250-0085 FT	25100	935	2250-0935 FT	25110	1785	2250-1785 FT	25120	2635	2250-2635 FT	25130
170	2250-0170 FT	25101	1020	2250-1020 FT	25111	1870	2250-1870 FT	25121	2720	2250-2720 FT	25131
255	2250-0255 FT	25102	1105	2250-1105 FT	25112	1955	2250-1955 FT	25122	2805	2250-2805 FT	25132
340	2250-0340 FT	25103	1190	2250-1190 FT	25113	2040	2250-2040 FT	25123	2890	2250-2890 FT	25133
425	2250-0425 FT	25104	1275	2250-1275 FT	25114	2125	2250-2125 FT	25124	2975	2250-2975 FT	25134
510	2250-0510 FT	25105	1360	2250-1360 FT	25115	2210	2250-2210 FT	25125	3060	2250-3060 FT	25135
595	2250-0595 FT	25106	1445	2250-1445 FT	25116	2295	2250-2295 FT	25126	3145	2250-3145 FT	25136
680	2250-0680 FT	25107	1530	2250-1530 FT	25117	2380	2250-2380 FT	25127	3230	2250-3230 FT	25137
765	2250-0765 FT	25108	1615	2250-1615 FT	25118	2465	2250-2465 FT	25128	3315	2250-3315 FT	25138
850	2250-0850 FT	25109	1700	2250-1700 FT	25119	2550	2250-2550 FT	25129	3400	2250-3400 FT	25139

Other widths available on request.



Version with one positioner

Backflex radius: 25 mm

Max load capacity: 25.000 N/m

Weight: 7.4 Kg/m²

Pin material: PBT (white)

Standard length:

belt width ≤ 0.340mm: 3.048m belt length

belt width > 0.340mm, but ≤ 1.700mm: 1.524m belt length

belt width > 1.700: belt length on request

Standard materials

LFG	NGG
Low Friction Acetal Resin	New Generation



Pages
4→7



Pages
318→320

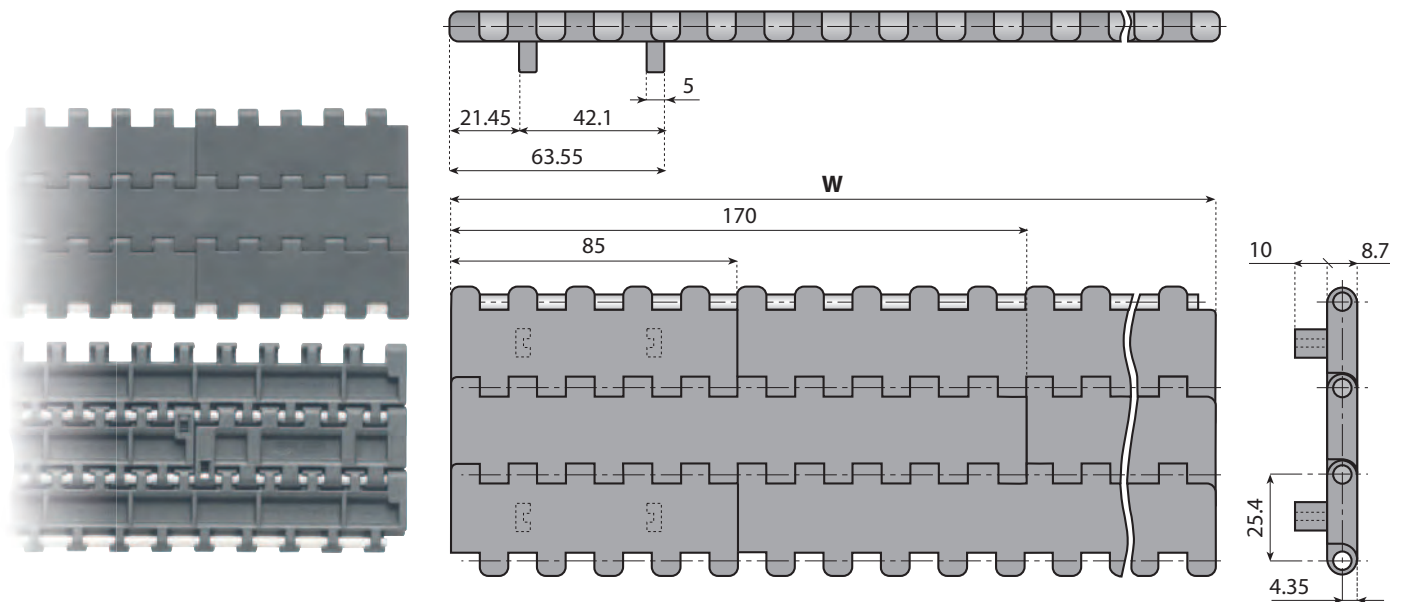


Pages
340→343

FOR BELTS AVAILABLE IN "NGG" MATERIAL JUST ADD "NGG" TO PART NUMBER (EXAMPLE "CODE 25200-NGG")

Width W mm	Belts Ref.	Code	Width W mm	Belts Ref.	Code	Width W mm	Belts Ref.	Code	Width W mm	Belts Ref.	Code
85	2250-0085 FTP1	25200	935	2250-0935 FTP1	25210	1785	2250-1785 FTP1	25220	2635	2250-2635 FTP1	25230
170	2250-0170 FTP1	25201	1020	2250-1020 FTP1	25211	1870	2250-1870 FTP1	25221	2720	2250-2720 FTP1	25231
255	2250-0255 FTP1	25202	1105	2250-1105 FTP1	25212	1955	2250-1955 FTP1	25222	2805	2250-2805 FTP1	25232
340	2250-0340 FTP1	25203	1190	2250-1190 FTP1	25213	2040	2250-2040 FTP1	25223	2890	2250-2890 FTP1	25233
425	2250-0425 FTP1	25204	1275	2250-1275 FTP1	25214	2125	2250-2125 FTP1	25224	2975	2250-2975 FTP1	25234
510	2250-0510 FTP1	25205	1360	2250-1360 FTP1	25215	2210	2250-2210 FTP1	25225	3060	2250-3060 FTP1	25235
595	2250-0595 FTP1	25206	1445	2250-1445 FTP1	25216	2295	2250-2295 FTP1	25226	3145	2250-3145 FTP1	25236
680	2250-0680 FTP1	25207	1530	2250-1530 FTP1	25217	2380	2250-2380 FTP1	25227	3230	2250-3230 FTP1	25237
765	2250-0765 FTP1	25208	1615	2250-1615 FTP1	25218	2465	2250-2465 FTP1	25228	3315	2250-3315 FTP1	25238
850	2250-0850 FTP1	25209	1700	2250-1700 FTP1	25219	2550	2250-2550 FTP1	25229	3400	2250-3400 FTP1	25239

Other widths available on request.



Version with two positioners

Backflex radius: 25 mm

Max load capacity: 25.000 N/m

Weight: 7.4 Kg/m²

Pin material: PBT (white)

Standard length:

belt width ≤ 0.340mm: 3.048m belt length

belt width > 0.340mm, but ≤ 1.700mm: 1.524m belt length

belt width > 1.700: belt length on request

Standard materials

LFG	NGG
Low Friction Acetal Resin	New Generation



Pages 4→7



Pages 318→320

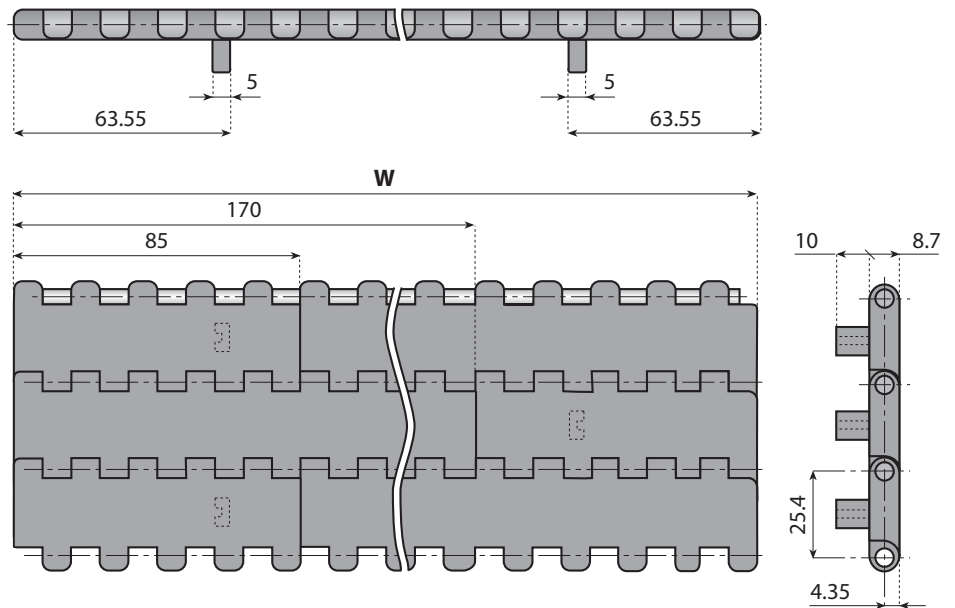
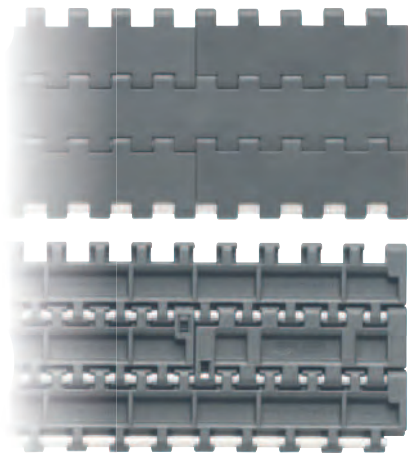


Pages 340→343

FOR BELTS AVAILABLE IN "NGG" MATERIAL JUST ADD "NGG" TO PART NUMBER (EXAMPLE "CODE 25300-NGG")

Width W mm	Belts Ref.	Code	Width W mm	Belts Ref.	Code	Width W mm	Belts Ref.	Code	Width W mm	Belts Ref.	Code
85	2250-0085 FTP2	25300	935	2250-0935 FTP2	25310	1785	2250-1785 FTP2	25320	2635	2250-2635 FTP2	25330
170	2250-0170 FTP2	25301	1020	2250-1020 FTP2	25311	1870	2250-1870 FTP2	25321	2720	2250-2720 FTP2	25331
255	2250-0255 FTP2	25302	1105	2250-1105 FTP2	25312	1955	2250-1955 FTP2	25322	2805	2250-2805 FTP2	25332
340	2250-0340 FTP2	25303	1190	2250-1190 FTP2	25313	2040	2250-2040 FTP2	25323	2890	2250-2890 FTP2	25333
425	2250-0425 FTP2	25304	1275	2250-1275 FTP2	25314	2125	2250-2125 FTP2	25324	2975	2250-2975 FTP2	25334
510	2250-0510 FTP2	25305	1360	2250-1360 FTP2	25315	2210	2250-2210 FTP2	25325	3060	2250-3060 FTP2	25335
595	2250-0595 FTP2	25306	1445	2250-1445 FTP2	25316	2295	2250-2295 FTP2	25326	3145	2250-3145 FTP2	25336
680	2250-0680 FTP2	25307	1530	2250-1530 FTP2	25317	2380	2250-2380 FTP2	25327	3230	2250-3230 FTP2	25337
765	2250-0765 FTP2	25308	1615	2250-1615 FTP2	25318	2465	2250-2465 FTP2	25328	3315	2250-3315 FTP2	25338
850	2250-0850 FTP2	25309	1700	2250-1700 FTP2	25319	2550	2250-2550 FTP2	25329	3400	2250-3400 FTP2	25339

Other widths available on request.



Version with one positioners on both side

Backflex radius: 25 mm

Max load capacity: 25.000 N/m

Weight: 7.4 Kg/m²

Pin material: PBT (white)

Standard length:

belt width ≤ 0.340mm: 3.048m belt length

belt width > 0.340mm, but ≤ 1.700mm: 1.524m belt length

belt width > 1.700: belt length on request

Standard materials

LFG	NGG
Low Friction Acetal Resin	New Generation



Pages 4→7



Pages 318→320

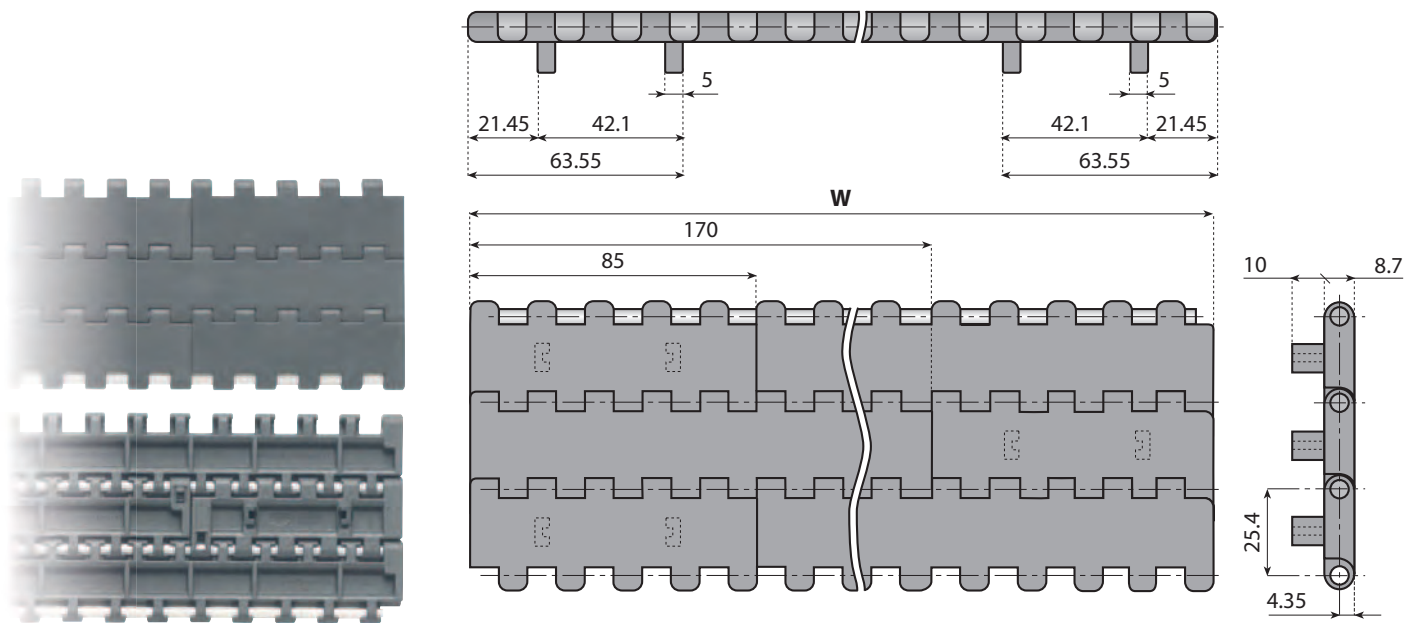


Pages 340→343

FOR BELTS AVAILABLE IN "NGG" MATERIAL JUST ADD "NGG" TO PART NUMBER (EXAMPLE "CODE 254101-NGG")

Width W mm	Belts Ref.	Code	Width W mm	Belts Ref.	Code	Width W mm	Belts Ref.	Code	Width W mm	Belts Ref.	Code
85	-	-	935	2250-0935 FTP2B	254110	1785	2250-1785 FTP2B	254120	2635	2250-2635 FTP2B	254130
170	2250-0170 FTP2B	254101	1020	2250-1020 FTP2B	254111	1870	2250-1870 FTP2B	254121	2720	2250-2720 FTP2B	254131
255	2250-0255 FTP2B	254102	1105	2250-1105 FTP2B	254112	1955	2250-1955 FTP2B	254122	2805	2250-2805 FTP2B	254132
340	2250-0340 FTP2B	254103	1190	2250-1190 FTP2B	254113	2040	2250-2040 FTP2B	254123	2890	2250-2890 FTP2B	254133
425	2250-0425 FTP2B	254104	1275	2250-1275 FTP2B	254114	2125	2250-2125 FTP2B	254124	2975	2250-2975 FTP2B	254134
510	2250-0510 FTP2B	254105	1360	2250-1360 FTP2B	254115	2210	2250-2210 FTP2B	254125	3060	2250-3060 FTP2B	254135
595	2250-0595 FTP2B	254106	1445	2250-1445 FTP2B	254116	2295	2250-2295 FTP2B	254126	3145	2250-3145 FTP2B	254136
680	2250-0680 FTP2B	254107	1530	2250-1530 FTP2B	254117	2380	2250-2380 FTP2B	254127	3230	2250-3230 FTP2B	254137
765	2250-0765 FTP2B	254108	1615	2250-1615 FTP2B	254118	2465	2250-2465 FTP2B	254128	3315	2250-3315 FTP2B	254138
850	2250-0850 FTP2B	254109	1700	2250-1700 FTP2B	254119	2550	2250-2550 FTP2B	254129	3400	2250-3400 FTP2B	254139

Other widths available on request.



Version with two positioners on both sides

Backflex radius: 25 mm
Max load capacity: 25.000 N/m
Weight: 7.4 Kg/m²
Pin material: PBT (white)

Standard length:

belt width ≤ 0.340mm: 3.048m belt length
 belt width > 0.340mm, but ≤ 1.700mm: 1.524m belt length
 belt width > 1.700: belt length on request

Standard materials

LFG	NGG
Low Friction Acetal Resin	New Generation



Pages 4→7



Pages 318→320

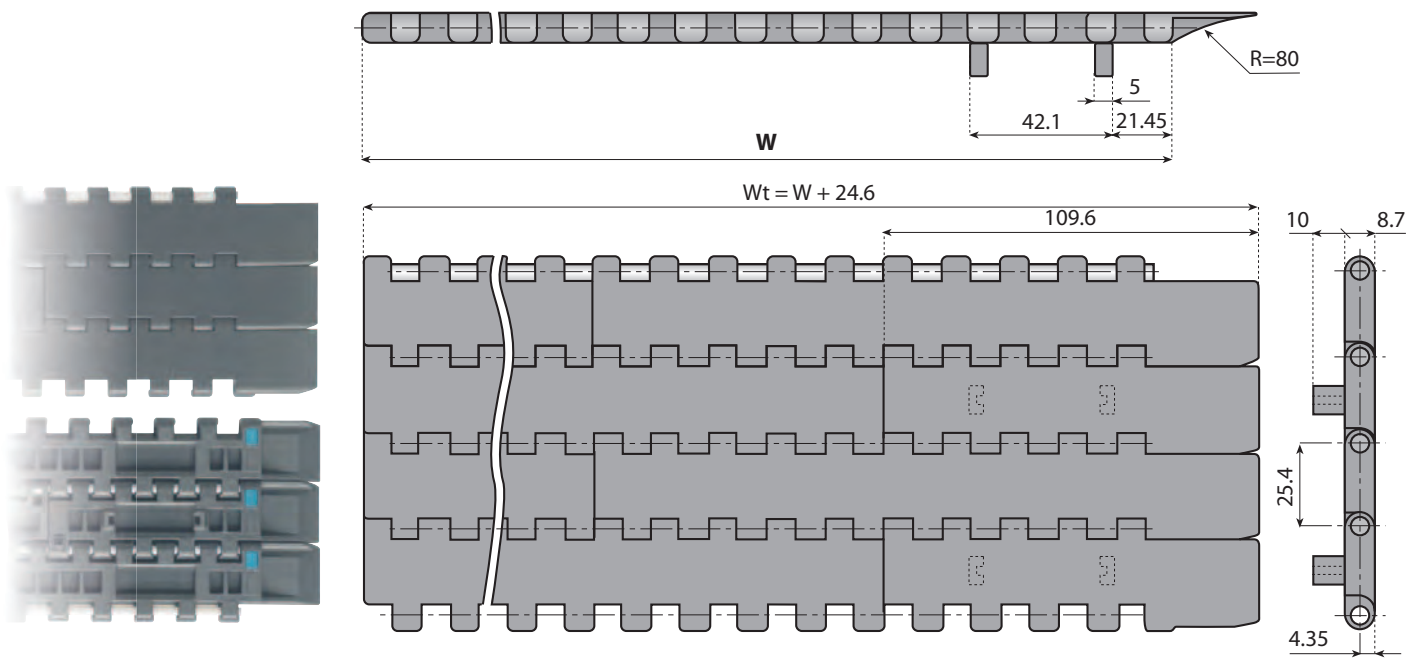


Pages 340→343

FOR BELTS AVAILABLE IN "NGG" MATERIAL JUST ADD "NGG" TO PART NUMBER (EXAMPLE "CODE 254201-NGG")

Width W mm	Belts Ref.	Code	Width W mm	Belts Ref.	Code	Width W mm	Belts Ref.	Code	Width W mm	Belts Ref.	Code
85	-	-	935	2250-0935 FTP2BD	254210	1785	2250-1785 FTP2BD	254220	2635	2250-2635 FTP2BD	254230
170	2250-0170 FTP2BD	254201	1020	2250-1020 FTP2BD	254211	1870	2250-1870 FTP2BD	254221	2720	2250-2720 FTP2BD	254231
255	2250-0255 FTP2BD	254202	1105	2250-1105 FTP2BD	254212	1955	2250-1955 FTP2BD	254222	2805	2250-2805 FTP2BD	254232
340	2250-0340 FTP2BD	254203	1190	2250-1190 FTP2BD	254213	2040	2250-2040 FTP2BD	254223	2890	2250-2890 FTP2BD	254233
425	2250-0425 FTP2BD	254204	1275	2250-1275 FTP2BD	254214	2125	2250-2125 FTP2BD	254224	2975	2250-2975 FTP2BD	254234
510	2250-0510 FTP2BD	254205	1360	2250-1360 FTP2BD	254215	2210	2250-2210 FTP2BD	254225	3060	2250-3060 FTP2BD	254235
595	2250-0595 FTP2BD	254206	1445	2250-1445 FTP2BD	254216	2295	2250-2295 FTP2BD	254226	3145	2250-3145 FTP2BD	254236
680	2250-0680 FTP2BD	254207	1530	2250-1530 FTP2BD	254217	2380	2250-2380 FTP2BD	254227	3230	2250-3230 FTP2BD	254237
765	2250-0765 FTP2BD	254208	1615	2250-1615 FTP2BD	254218	2465	2250-2465 FTP2BD	254228	3315	2250-3315 FTP2BD	254238
850	2250-0850 FTP2BD	254209	1700	2250-1700 FTP2BD	254219	2550	2250-2550 FTP2BD	254229	3400	2250-3400 FTP2BD	254239

Other widths available on request.



Version with two positioners and integrated active transfer wing

Backflex radius: 30 mm

Max load capacity: 25.000 N/m

Weight: 7.4 Kg/m²

Pin material: PBT (white)

Standard length:

belt width ≤ 0.340mm: 3.048m belt length

belt width > 0.340mm, but ≤ 1.700mm: 1.524m belt length

belt width > 1.700: belt length on request

Standard materials

LFG	NGG
Low Friction Acetal Resin	New Generation



Pages 4→7



Pages 318→320



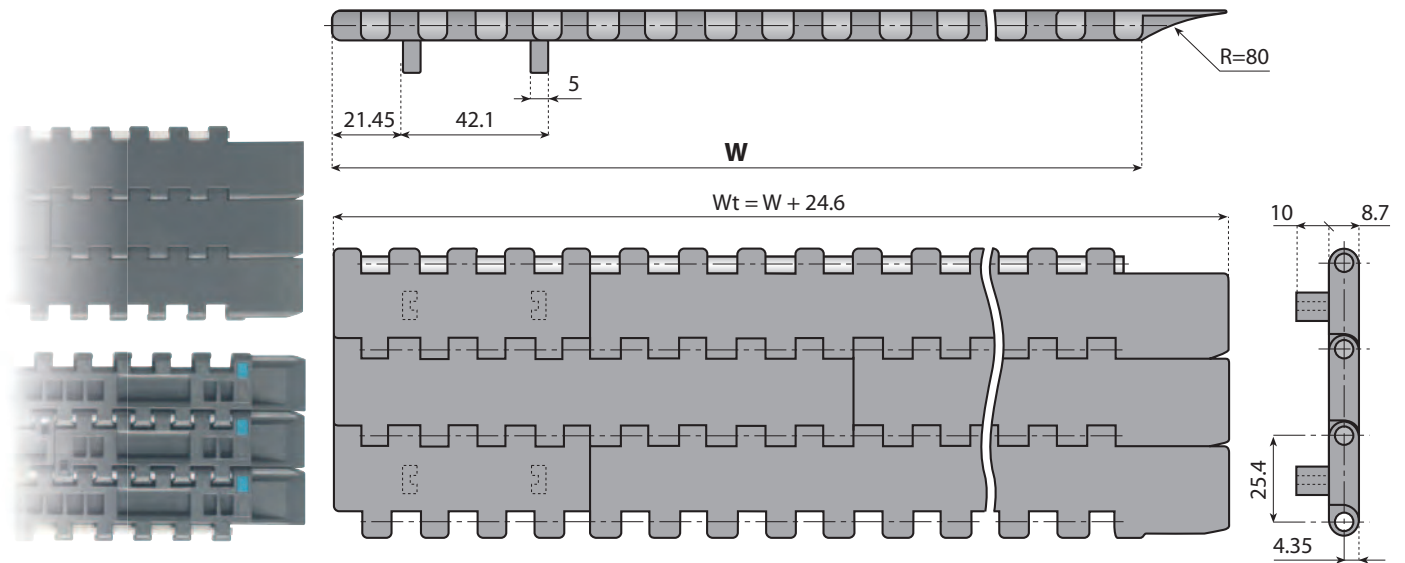
Pages 340→343

FOR BELTS AVAILABLE IN "NGG" MATERIAL JUST ADD "NGG" TO PART NUMBER (EXAMPLE "CODE 25401-NGG")

Width W mm	Belts Ref.	Code	Width W mm	Belts Ref.	Code	Width W mm	Belts Ref.	Code	Width W mm	Belts Ref.	Code
85	2250-0085 FFTP2	25400	935	2250-0935 FFTP2	25410	1785	2250-1785 FFTP2	25420	2635	2250-2635 FFTP2	25430
170	2250-0170 FFTP2	25401	1020	2250-1020 FFTP2	25411	1870	2250-1870 FFTP2	25421	2720	2250-2720 FFTP2	25431
255	2250-0255 FFTP2	25402	1105	2250-1105 FFTP2	25412	1955	2250-1955 FFTP2	25422	2805	2250-2805 FFTP2	25432
340	2250-0340 FFTP2	25403	1190	2250-1190 FFTP2	25413	2040	2250-2040 FFTP2	25423	2890	2250-2890 FFTP2	25433
425	2250-0425 FFTP2	25404	1275	2250-1275 FFTP2	25414	2125	2250-2125 FFTP2	25424	2975	2250-2975 FFTP2	25434
510	2250-0510 FFTP2	25405	1360	2250-1360 FFTP2	25415	2210	2250-2210 FFTP2	25425	3060	2250-3060 FFTP2	25435
595	2250-0595 FFTP2	25406	1445	2250-1445 FFTP2	25416	2295	2250-2295 FFTP2	25426	3145	2250-3145 FFTP2	25436
680	2250-0680 FFTP2	25407	1530	2250-1530 FFTP2	22417	2380	2250-2380 FFTP2	25427	3230	2250-3230 FFTP2	25437
765	2250-0765 FFTP2	25408	1615	2250-1615 FFTP2	25418	2465	2250-2465 FFTP2	25428	3315	2250-3315 FFTP2	25438
850	2250-0850 FFTP2	25409	1700	2250-1700 FFTP2	25419	2550	2250-2550 FFTP2	25429	3400	2250-3400 FFTP2	25439

Other widths available on request.

2250 FTTP2-SX FLAT TOP BELTS (Pitch 1" - 25.4 mm) WITH TRANSFER WING



Version with two positioners and integrated active transfer wing

Backflex radius: 30 mm

Max load capacity: 25.000 N/m

Weight: 7.4 Kg/m²

Pin material: PBT (white)

Standard length:

belt width ≤ 0.340mm: 3.048m belt length

belt width > 0.340mm, but ≤ 1.700mm: 1.524m belt length

belt width > 1.700: belt length on request

Standard materials

LFG	NGG
Low Friction Acetal Resin	New Generation



Pages
4⇒7



Pages
318⇒320



Pages
340⇒343

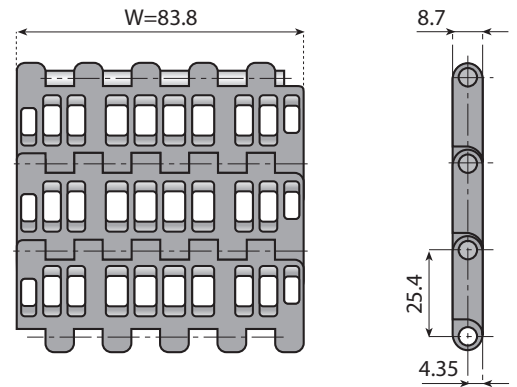
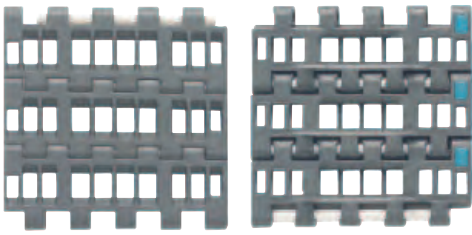
FOR BELTS AVAILABLE IN "NGG" MATERIAL JUST ADD "NGG" TO PART NUMBER (EXAMPLE "CODE 25401SX-NGG")

Width W mm	Belts Ref.	Code	Width W mm	Belts Ref.	Code	Width W mm	Belts Ref.	Code	Width W mm	Belts Ref.	Code
85	2250-0085 FTTP2-SX	25400	935	2250-0935 FTTP2-SX	25410SX	1785	2250-1785 FTTP2-SX	25420SX	2635	2250-2635 FTTP2-SX	25430SX
170	2250-0170 FTTP2-SX	25401SX	1020	2250-1020 FTTP2-SX	25411SX	1870	2250-1870 FTTP2-SX	25421SX	2720	2250-2720 FTTP2-SX	25431SX
255	2250-0255 FTTP2-SX	25402SX	1105	2250-1105 FTTP2-SX	25412SX	1955	2250-1955 FTTP2-SX	25422SX	2805	2250-2805 FTTP2-SX	25432SX
340	2250-0340 FTTP2-SX	25403SX	1190	2250-1190 FTTP2-SX	25413SX	2040	2250-2040 FTTP2-SX	25423SX	2890	2250-2890 FTTP2-SX	25433SX
425	2250-0425 FTTP2-SX	25404SX	1275	2250-1275 FTTP2-SX	25414SX	2125	2250-2125 FTTP2-SX	25424SX	2975	2250-2975 FTTP2-SX	25434SX
510	2250-0510 FTTP2-SX	25405SX	1360	2250-1360 FTTP2-SX	25415SX	2210	2250-2210 FTTP2-SX	25425SX	3060	2250-3060 FTTP2-SX	25435SX
595	2250-0595 FTTP2-SX	25406SX	1445	2250-1445 FTTP2-SX	25416SX	2295	2250-2295 FTTP2-SX	25426SX	3145	2250-3145 FTTP2-SX	25436SX
680	2250-0680 FTTP2-SX	25407SX	1530	2250-1530 FTTP2-SX	22417SX	2380	2250-2380 FTTP2-SX	25427SX	3230	2250-3230 FTTP2-SX	25437SX
765	2250-0765 FTTP2-SX	25408SX	1615	2250-1615 FTTP2-SX	25418SX	2465	2250-2465 FTTP2-SX	25428SX	3315	2250-3315 FTTP2-SX	25438SX
850	2250-0850 FTTP2-SX	25409SX	1700	2250-1700 FTTP2-SX	25419SX	2550	2250-2550 FTTP2-SX	25429SX	3400	2250-3400 FTTP2-SX	25439SX

Other widths available on request.

FLUSH GRID BELTS ONE TRACK

2250 K330 J-FG



Version standard

Pin material: PBT (white)

Open surface: 23%

Standard materials

LFG	NGG
Low Friction Acetal Resin	New Generation



Pages 4⇒7



Pages 318⇒320

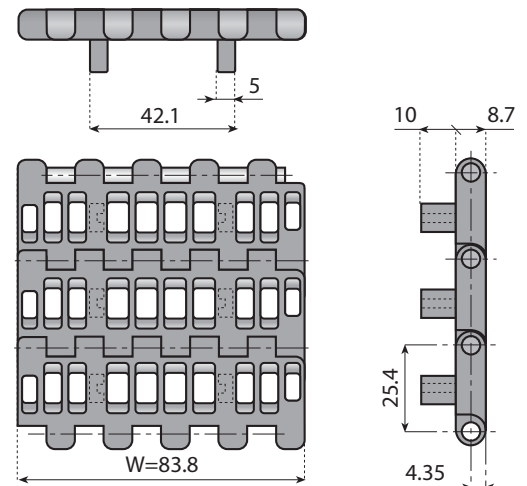
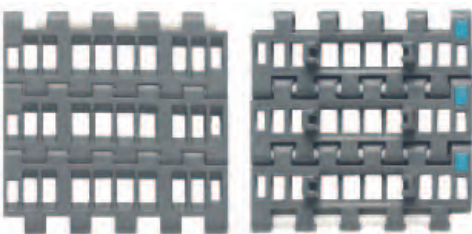


Pages 340⇒343

Belts - Ref.	Code	Material	Width W		Pitch P		Backflex radius mm	Max load capacity N	Weight Kg/m ²
			mm	inch	mm	inch			
LFG 2250 K330 J-FG	25010J	LFG Dark Grey	83.8	3.30	25.4	1.00	25	2095	5.40
NGG 2250 K330 J-FG	25010J-NGG	NGG Light Grey							

FLUSH GRID BELTS ONE TRACK

2250 K330 J-FGP2



Version with two positioners

Pin material: PBT (white)

Open surface: 23%

Standard materials

LFG	NGG
Low Friction Acetal Resin	New Generation



Pages 4⇒7



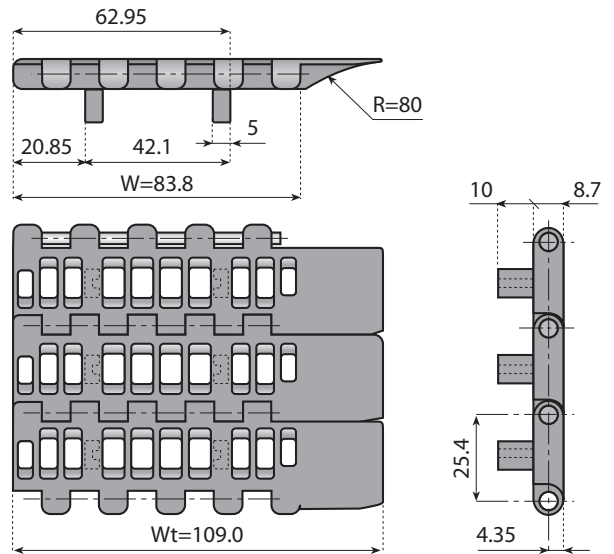
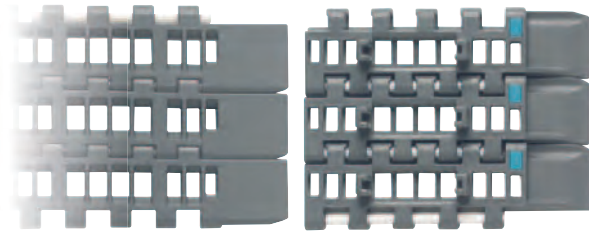
Pages 318⇒320



Pages 340⇒343

Belts - Ref.	Code	Material	Width W		Pitch P		Backflex radius mm	Max load capacity N	Weight Kg/m ²
			mm	inch	mm	inch			
LFG 2250 K330 J-FGP2	25011J	LFG Dark Grey	83.8	3.30	25.4	1.00	25	2095	5.45
NGG 2250 K330 J-FGP2	25011J-NGG	NGG Light Grey							

Standard length: 120 pitches (10 ft. - 3.048 m)



Open surface: 23%

Standard materials

LFG	NGG
Low Friction Acetal Resin	New Generation



Pages
4⇒7



Pages
318⇒320

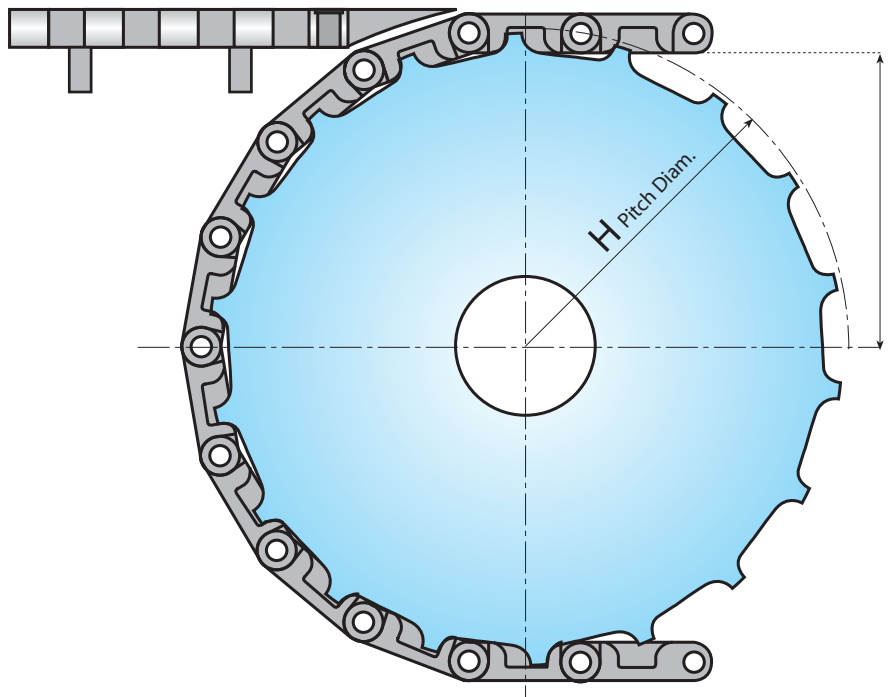


Pages
340⇒343

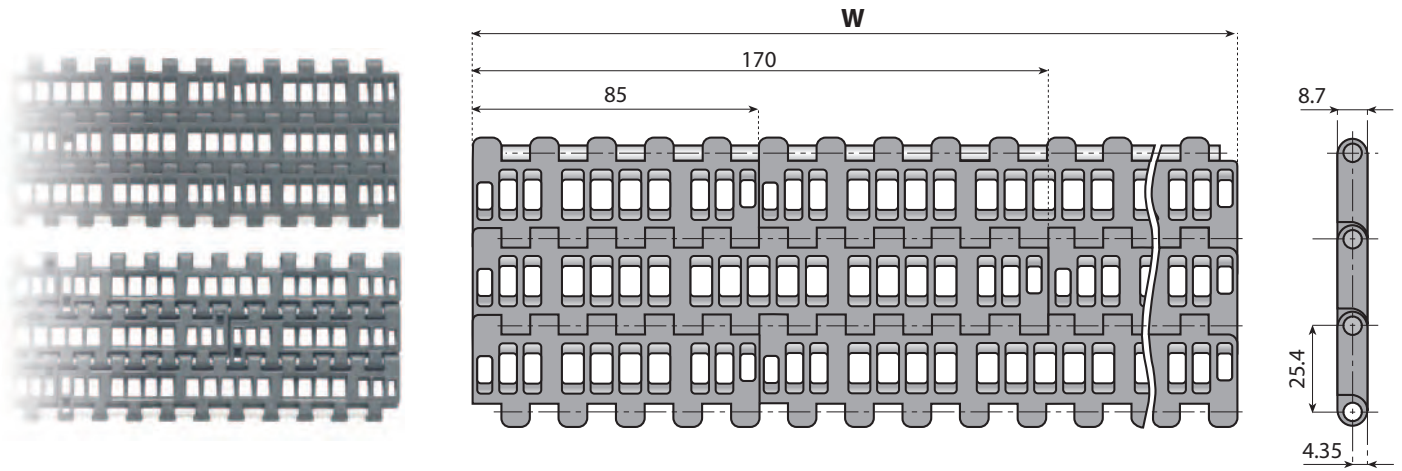
Belts - Ref.	Code	Material	Width W		Pitch P		Backflex radius mm	Max load capacity N	Weight Kg/m ²
			mm	inch	mm	inch			
LFG 2250 K330 J-FGTP2	25012J	LFG Dark Grey	83.8	3.30	25.4	1.00	30	2095	6.50
NGG 2250 K330 J-FGTP2	25012J-NGG	NGG Light Grey							

Standard length: 120 pitches (10 ft. - 3.048 m)

EXAMPLE OF INSTALLATION



For further
information contact our
Technical Support
Department



Version standard

Backflex radius: 25 mm

Max load capacity: 25.000 N/m

Weight: 7.5 Kg/m²

Pin material: PBT (white)

Open surface: 23%

Standard length:

belt width ≤ 0.340mm: 3.048m belt length

belt width > 0.340mm, but ≤ 1.700mm: 1.524m belt length

belt width > 1.700: belt length on request

Standard materials

LFG	NGG
Low Friction Acetal Resin	New Generation



Pages 4→7



Pages 318→320

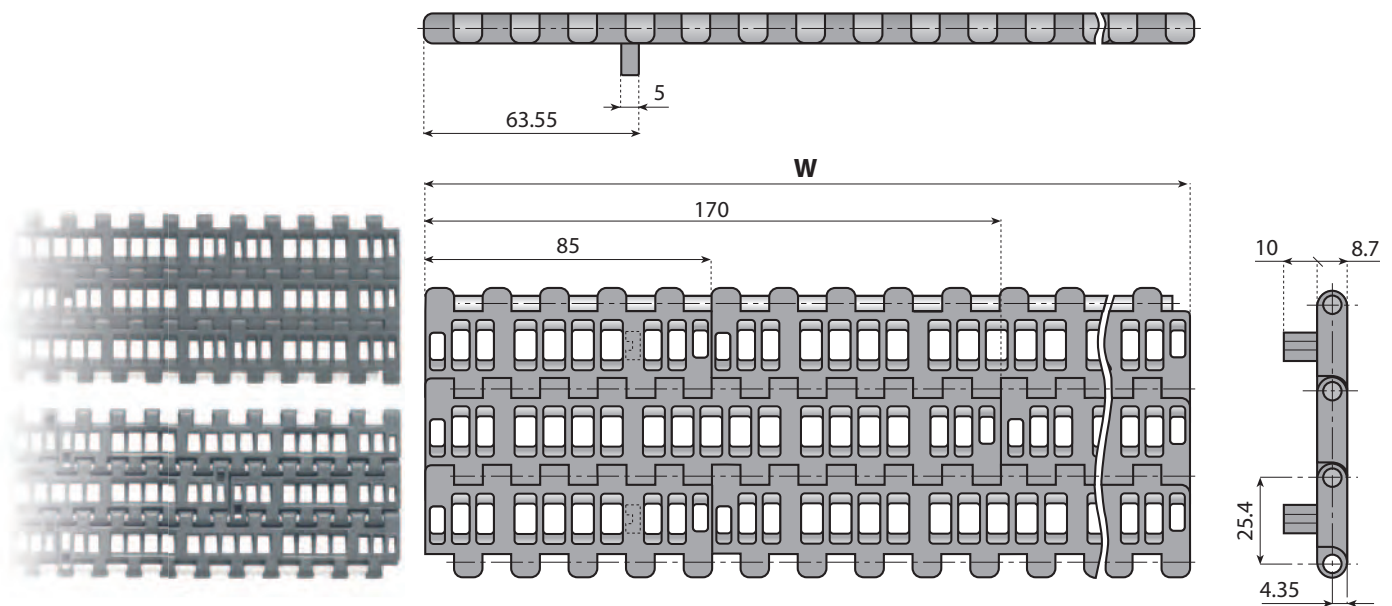


Pages 340→343

FOR BELTS AVAILABLE IN "NGG" MATERIAL JUST ADD "NGG" TO PART NUMBER (EXAMPLE "CODE 25500J-NGG")

Width W mm	Belts Ref.	Code	Width W mm	Belts Ref.	Code	Width W mm	Belts Ref.	Code	Width W mm	Belts Ref.	Code
85	2250-0085 J-FG	25500J	935	2250-0935 J-FG	25510J	1785	2250-1785 J-FG	25520J	2635	2250-2635 J-FG	25530J
170	2250-0170 J-FG	25501J	1020	2250-1020 J-FG	25511J	1870	2250-1870 J-FG	25521J	2720	2250-2720 J-FG	25531J
255	2250-0255 J-FG	25502J	1105	2250-1105 J-FG	25512J	1955	2250-1955 J-FG	25522J	2805	2250-2805 J-FG	25532J
340	2250-0340 J-FG	25503J	1190	2250-1190 J-FG	25513J	2040	2250-2040 J-FG	25523J	2890	2250-2890 J-FG	25533J
425	2250-0425 J-FG	25504J	1275	2250-1275 J-FG	25514J	2125	2250-2125 J-FG	25524J	2975	2250-2975 J-FG	25534J
510	2250-0510 J-FG	25505J	1360	2250-1360 J-FG	25515J	2210	2250-2210 J-FG	25525J	3060	2250-3060 J-FG	25535J
595	2250-0595 J-FG	25506J	1445	2250-1445 J-FG	25516J	2295	2250-2295 J-FG	25526J	3145	2250-3145 J-FG	25536J
680	2250-0680 J-FG	25507J	1530	2250-1530 J-FG	25517J	2380	2250-2380 J-FG	25527J	3230	2250-3230 J-FG	25537J
765	2250-0765 J-FG	25508J	1615	2250-1615 J-FG	25518J	2465	2250-2465 J-FG	25528J	3315	2250-3315 J-FG	25538J
850	2250-0850 J-FG	25509J	1700	2250-1700 J-FG	25519J	2550	2250-2550 J-FG	25529J	3400	2250-3400 J-FG	25539J

Other widths available on request.



Version with one positioner

Backflex radius: 25 mm

Max load capacity: 25.000 N/m

Weight: 7.5 Kg/m²

Pin material: PBT (white)

Open surface: 23%

Standard length:

belt width ≤ 0.340mm: 3.048m belt length

belt width > 0.340mm, but ≤ 1.700mm: 1.524m belt length

belt width > 1.700: belt length on request

Standard materials

LFG	NGG
Low Friction Acetal Resin	New Generation



Pages 4⇒7



Pages 318⇒320

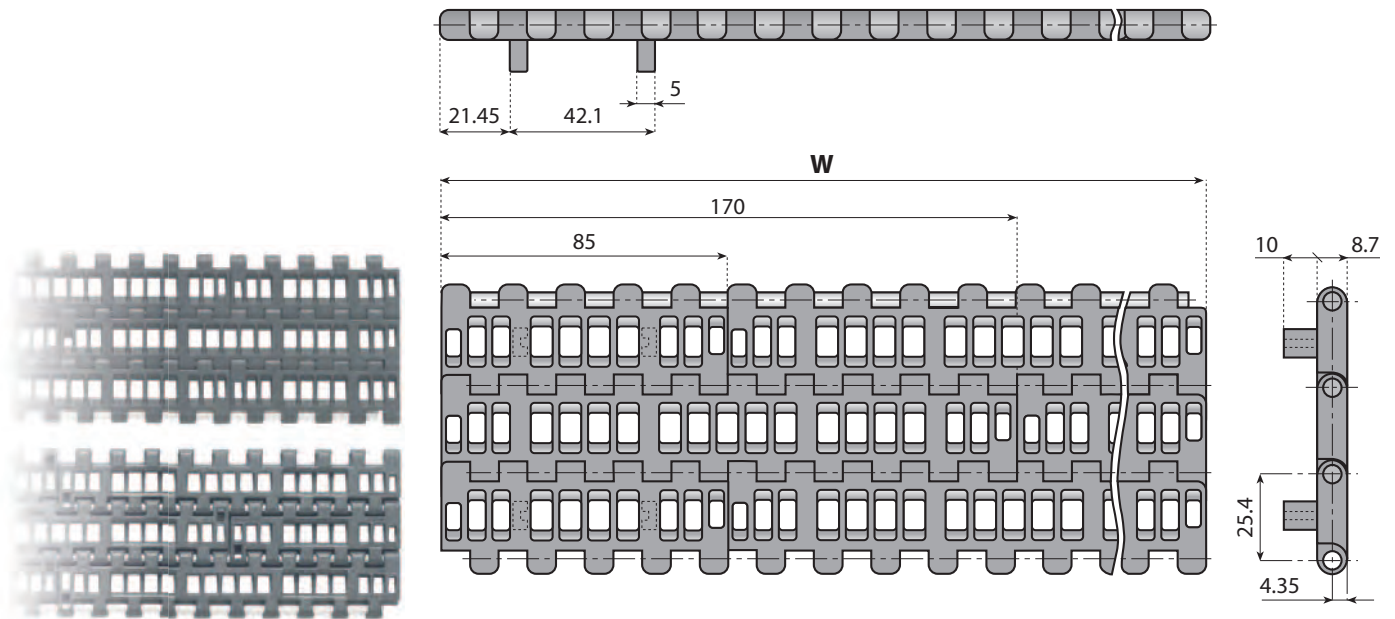


Pages 340⇒343

FOR BELTS AVAILABLE IN "NGG" MATERIAL JUST ADD "NGG" TO PART NUMBER (EXAMPLE "CODE 25600J-NGG")

Width W mm	Belts Ref.	Code	Width W mm	Belts Ref.	Code	Width W mm	Belts Ref.	Code	Width W mm	Belts Ref.	Code
85	2250-0085 J-FGP1	25600J	935	2250-0935 J-FGP1	25610J	1785	2250-1785 J-FGP1	25620J	2635	2250-2635 J-FGP1	25630J
170	2250-0170 J-FGP1	25601J	1020	2250-1020 J-FGP1	25611J	1870	2250-1870 J-FGP1	25621J	2720	2250-2720 J-FGP1	25631J
255	2250-0255 J-FGP1	25602J	1105	2250-1105 J-FGP1	25612J	1955	2250-1955 J-FGP1	25622J	2805	2250-2805 J-FGP1	25632J
340	2250-0340 J-FGP1	25603J	1190	2250-1190 J-FGP1	25613J	2040	2250-2040 J-FGP1	25623J	2890	2250-2890 J-FGP1	25633J
425	2250-0425 J-FGP1	25604J	1275	2250-1275 J-FGP1	25614J	2125	2250-2125 J-FGP1	25624J	2975	2250-2975 J-FGP1	25634J
510	2250-0510 J-FGP1	25605J	1360	2250-1360 J-FGP1	25615J	2210	2250-2210 J-FGP1	25625J	3060	2250-3060 J-FGP1	25635J
595	2250-0595 J-FGP1	25606J	1445	2250-1445 J-FGP1	25616J	2295	2250-2295 J-FGP1	25626J	3145	2250-3145 J-FGP1	25636J
680	2250-0680 J-FGP1	25607J	1530	2250-1530 J-FGP1	22617J	2380	2250-2380 J-FGP1	25627J	3230	2250-3230 J-FGP1	25637J
765	2250-0765 J-FGP1	25608J	1615	2250-1615 J-FGP1	25618J	2465	2250-2465 J-FGP1	25628J	3315	2250-3315 J-FGP1	25638J
850	2250-0850 J-FGP1	25609J	1700	2250-1700 J-FGP1	25619J	2550	2250-2550 J-FGP1	25629J	3400	2250-3400 J-FGP1	25659J

Other widths available on request.



Version with two positioners

Backflex radius: 25 mm

Max load capacity: 25.000 N/m

Weight: 7.5 Kg/m²

Pin material: PBT (white)

Open surface: 23%

Standard length:

belt width ≤ 0.340mm: 3.048m belt length

belt width > 0.340mm, but ≤ 1.700mm: 1.524m belt length

belt width > 1.700: belt length on request

Standard materials

LFG	NGG
Low Friction Acetal Resin	New Generation



Pages 4→7



Pages 318→320

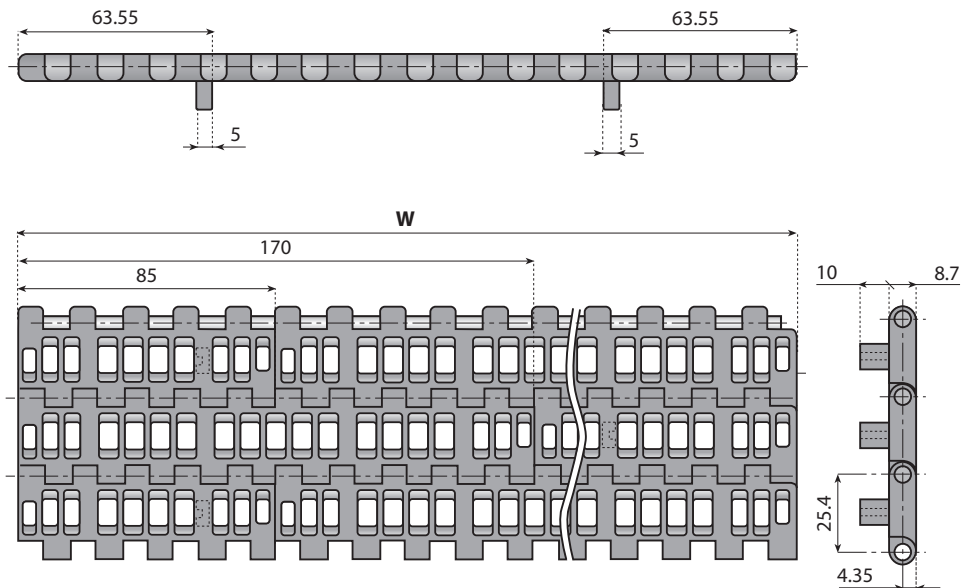


Pages 340→343

FOR BELTS AVAILABLE IN "NGG" MATERIAL JUST ADD "NGG" TO PART NUMBER (EXAMPLE "CODE 25700J-NGG")

Width W mm	Belts Ref.	Code	Width W mm	Belts Ref.	Code	Width W mm	Belts Ref.	Code	Width W mm	Belts Ref.	Code
85	2250-0085 J-FGP2	25700J	935	2250-0935 J-FGP2	25710J	1785	2250-1785 J-FGP2	25720J	2635	2250-2635 J-FGP2	25730J
170	2250-0170 J-FGP2	25701J	1020	2250-1020 J-FGP2	25711J	1870	2250-1870 J-FGP2	25721J	2720	2250-2720 J-FGP2	25731J
255	2250-0255 J-FGP2	25702J	1105	2250-1105 J-FGP2	25712J	1955	2250-1955 J-FGP2	25722J	2805	2250-2805 J-FGP2	25732J
340	2250-0340 J-FGP2	25703J	1190	2250-1190 J-FGP2	25713J	2040	2250-2040 J-FGP2	25723J	2890	2250-2890 J-FGP2	25733J
425	2250-0425 J-FGP2	25704J	1275	2250-1275 J-FGP2	25714J	2125	2250-2125 J-FGP2	25724J	2975	2250-2975 J-FGP2	25734J
510	2250-0510 J-FGP2	25705J	1360	2250-1360 J-FGP2	25715J	2210	2250-2210 J-FGP2	25725J	3060	2250-3060 J-FGP2	25735J
595	2250-0595 J-FGP2	25706J	1445	2250-1445 J-FGP2	25716J	2295	2250-2295 J-FGP2	25726J	3145	2250-3145 J-FGP2	25736J
680	2250-0680 J-FGP2	25707J	1530	2250-1530 J-FGP2	22717J	2380	2250-2380 J-FGP2	25727J	3230	2250-3230 J-FGP2	25737J
765	2250-0765 J-FGP2	25708J	1615	2250-1615 J-FGP2	25718J	2465	2250-2465 J-FGP2	25728J	3315	2250-3315 J-FGP2	25738J
850	2250-0850 J-FGP2	25709J	1700	2250-1700 J-FGP2	25719J	2550	2250-2550 J-FGP2	25729J	3400	2250-3400 J-FGP2	25739J

Other widths available on request.



Version with one positioner on both sides

- Backflex radius:** 25 mm
- Max load capacity:** 25.000 N/m
- Weight:** 7.5 Kg/m²
- Pin material:** PBT (white)
- Open surface:** 23%

Standard length:

- belt width ≤ 0.340mm: 3.048m belt length
- belt width > 0.340mm, but ≤ 1.700mm: 1.524m belt length
- belt width > 1.700: belt length on request

Standard materials

LFG	NGG
Low Friction Acetal Resin	New Generation



Pages 4⇒7



Pages 318⇒320

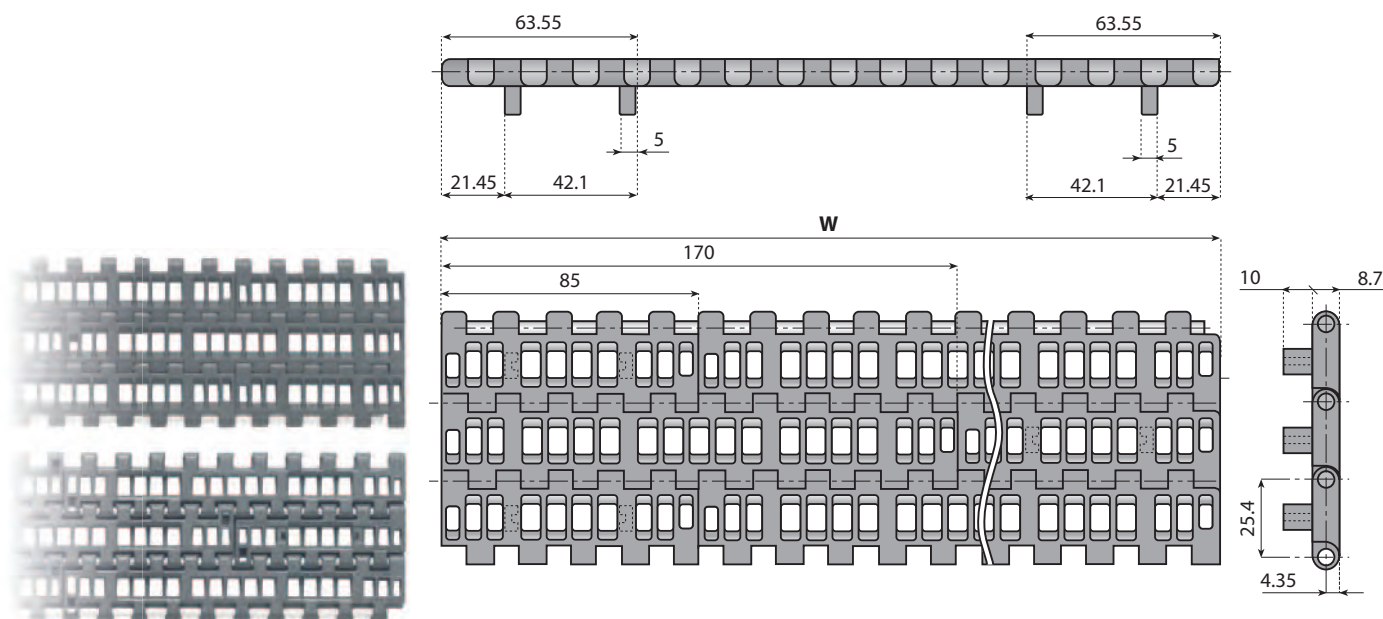


Pages 340⇒343

FOR BELTS AVAILABLE IN "NGG" MATERIAL JUST ADD "NGG" TO PART NUMBER (EXAMPLE "CODE 254301J-NGG")

Width W mm	Belts Ref.	Code	Width W mm	Belts Ref.	Code	Width W mm	Belts Ref.	Code	Width W mm	Belts Ref.	Code
85		-	935	2250-0935 J-FGP2B	254310J	1785	2250-1785 J-FGP2B	254320J	2635	2250-2635 J-FGP2B	254330J
170	2250-0170 J-FGP2B	254301J	1020	2250-1020 J-FGP2B	254311J	1870	2250-1870 J-FGP2B	254321J	2720	2250-2720 J-FGP2B	254331J
255	2250-0255 J-FGP2B	254302J	1105	2250-1105 J-FGP2B	254312J	1955	2250-1955 J-FGP2B	254322J	2805	2250-2805 J-FGP2B	254332J
340	2250-0340 J-FGP2B	254303J	1190	2250-1190 J-FGP2B	254313J	2040	2250-2040 J-FGP2B	254323J	2890	2250-2890 J-FGP2B	254333J
425	2250-0425 J-FGP2B	254304J	1275	2250-1275 J-FGP2B	254314J	2125	2250-2125 J-FGP2B	254324J	2975	2250-2975 J-FGP2B	254334J
510	2250-0510 J-FGP2B	254305J	1360	2250-1360 J-FGP2B	254315J	2210	2250-2210 J-FGP2B	254325J	3060	2250-3060 J-FGP2B	254335J
595	2250-0595 J-FGP2B	254306J	1445	2250-1445 J-FGP2B	254316J	2295	2250-2295 J-FGP2B	254326J	3145	2250-3145 J-FGP2B	254336J
680	2250-0680 J-FGP2B	254307J	1530	2250-1530 J-FGP2B	254317J	2380	2250-2380 J-FGP2B	254327J	3230	2250-3230 J-FGP2B	254337J
765	2250-0765 J-FGP2B	254308J	1615	2250-1615 J-FGP2B	254318J	2465	2250-2465 J-FGP2B	254328J	3315	2250-3315 J-FGP2B	254338J
850	2250-0850 J-FGP2B	254309J	1700	2250-1700 J-FGP2B	254319J	2550	2250-2550 J-FGP2B	254329J	3400	2250-3400 J-FGP2B	254339J

Other widths available on request.



Version with two positioners on both sides

Backflex radius: 25 mm
Max load capacity: 25.000 N/m
Weight: 7.5 Kg/m²
Pin material: PBT (white)
Open surface: 23%

Standard length:

belt width ≤ 0.340mm: 3.048m belt length
 belt width > 0.340mm, but ≤ 1.700mm: 1.524m belt length
 belt width > 1.700: belt length on request

Standard materials

LFG	NGG
Low Friction Acetal Resin	New Generation



Pages 4⇨7



Pages 318⇨320

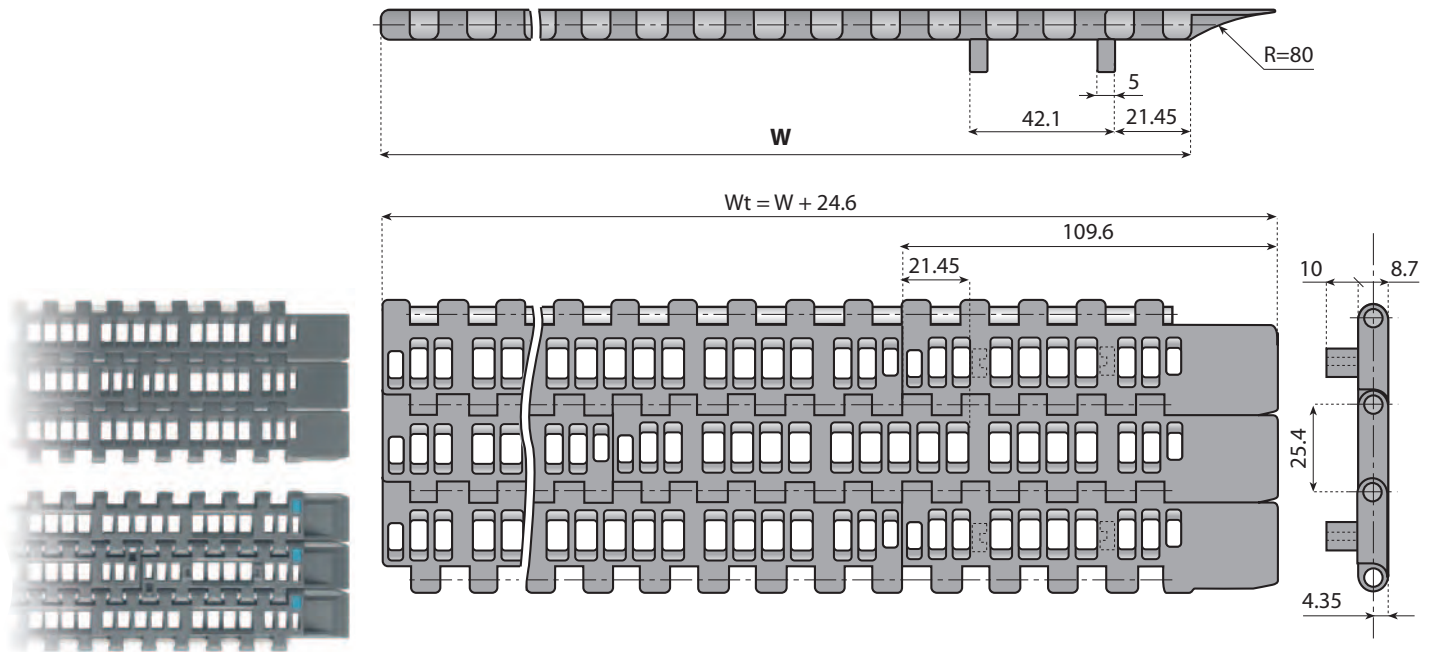


Pages 340⇨343

FOR BELTS AVAILABLE IN "NGG" MATERIAL JUST ADD "NGG" TO PART NUMBER (EXAMPLE "CODE 254401J-NGG")

Width W mm	Belts Ref.	Code	Width W mm	Belts Ref.	Code	Width W mm	Belts Ref.	Code	Width W mm	Belts Ref.	Code
85	-	-	935	2250-0935 J-FGP2BD	254410J	1785	2250-1785 J-FGP2BD	254420J	2635	2250-2635 J-FGP2BD	254430J
170	2250-0170 J-FGP2BD	254401J	1020	2250-1020 J-FGP2BD	254411J	1870	2250-1870 J-FGP2BD	254421J	2720	2250-2720 J-FGP2BD	254431J
255	2250-0255 J-FGP2BD	254402J	1105	2250-1105 J-FGP2BD	254412J	1955	2250-1955 J-FGP2BD	254422J	2805	2250-2805 J-FGP2BD	254432J
340	2250-0340 J-FGP2BD	254403J	1190	2250-1190 J-FGP2BD	254413J	2040	2250-2040 J-FGP2BD	254423J	2890	2250-2890 J-FGP2BD	254433J
425	2250-0425 J-FGP2BD	254404J	1275	2250-1275 J-FGP2BD	254414J	2125	2250-2125 J-FGP2BD	254424J	2975	2250-2975 J-FGP2BD	254434J
510	2250-0510 J-FGP2BD	254405J	1360	2250-1360 J-FGP2BD	254415J	2210	2250-2210 J-FGP2BD	254425J	3060	2250-3060 J-FGP2BD	254435J
595	2250-0595 J-FGP2BD	254406J	1445	2250-1445 J-FGP2BD	254416J	2295	2250-2295 J-FGP2BD	254426J	3145	2250-3145 J-FGP2BD	254436J
680	2250-0680 J-FGP2BD	254407J	1530	2250-1530 J-FGP2BD	254417J	2380	2250-2380 J-FGP2BD	254427J	3230	2250-3230 J-FGP2BD	254437J
765	2250-0765 J-FGP2BD	254408J	1615	2250-1615 J-FGP2BD	254418J	2465	2250-2465 J-FGP2BD	254428J	3315	2250-3315 J-FGP2BD	254438J
850	2250-0850 J-FGP2BD	254409J	1700	2250-1700 J-FGP2BD	254419J	2550	2250-2550 J-FGP2BD	254429J	3400	2250-3400 J-FGP2BD	254439J

Other widths available on request.



Version with two positioners and integrated active transfer wing

Backflex radius: 30 mm

Max load capacity: 25.000 N/m

Weight: 7.5 Kg/m²

Pin material: PBT (white)

Open surface: 23%

Standard length:

belt width ≤ 0.340mm: 3.048m belt length

belt width > 0.340mm, but ≤ 1.700mm: 1.524m belt length

belt width > 1.700: belt length on request

Standard materials

LFG	NGG
Low Friction Acetal Resin	New Generation



Pages 4⇒7



Pages 318⇒320



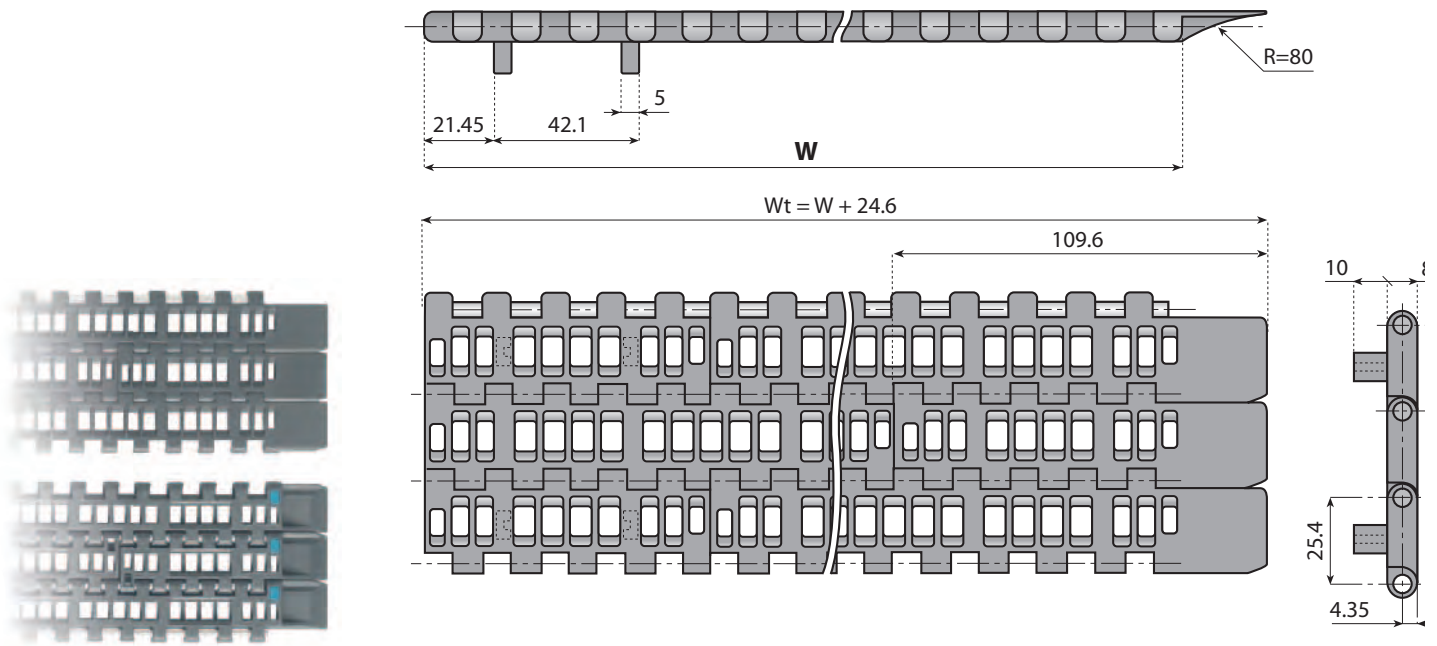
Pages 340⇒343

FOR BELTS AVAILABLE IN "NGG" MATERIAL JUST ADD "NGG" TO PART NUMBER (EXAMPLE "CODE 25801J-NGG")

Width W mm	Belts Ref.	Code	Width W mm	Belts Ref.	Code	Width W mm	Belts Ref.	Code	Width W mm	Belts Ref.	Code
85	2250-0085 J-FGTP2	25800J	935	2250-0935 J-FGTP2	25810J	1785	2250-1785 J-FGTP2	25820J	2635	2250-2635 J-FGTP2	25830J
170	2250-0170 J-FGTP2	25801J	1020	2250-1020 J-FGTP2	25811J	1870	2250-1870 J-FGTP2	25821J	2720	2250-2720 J-FGTP2	25831J
255	2250-0255 J-FGTP2	25802J	1105	2250-1105 J-FGTP2	25812J	1955	2250-1955 J-FGTP2	25822J	2805	2250-2805 J-FGTP2	25832J
340	2250-0340 J-FGTP2	25803J	1190	2250-1190 J-FGTP2	25813J	2040	2250-2040 J-FGTP2	25823J	2890	2250-2890 J-FGTP2	25833J
425	2250-0425 J-FGTP2	25804J	1275	2250-1275 J-FGTP2	25814J	2125	2250-2125 J-FGTP2	25824J	2975	2250-2975 J-FGTP2	25834J
510	2250-0510 J-FGTP2	25805J	1360	2250-1360 J-FGTP2	25815J	2210	2250-2210 J-FGTP2	25825J	3060	2250-3060 J-FGTP2	25835J
595	2250-0595 J-FGTP2	25806J	1445	2250-1445 J-FGTP2	25816J	2295	2250-2295 J-FGTP2	25826J	3145	2250-3145 J-FGTP2	25836J
680	2250-0680 J-FGTP2	25807J	1530	2250-1530 J-FGTP2	25817J	2380	2250-2380 J-FGTP2	25827J	3230	2250-3230 J-FGTP2	25837J
765	2250-0765 J-FGTP2	25808J	1615	2250-1615 J-FGTP2	25818J	2465	2250-2465 J-FGTP2	25828J	3315	2250-3315 J-FGTP2	25838J
850	2250-0850 J-FGTP2	25809J	1700	2250-1700 J-FGTP2	25819J	2550	2250-2550 J-FGTP2	25829J	3400	2250-3400 J-FGTP2	25839J

Other widths available on request.

FLUSH GRID BELTS (Pitch 1" - 25.4 mm) WITH TRANSFER WING 2250 J-FGTP2-SX



Version with two positioners and integrated active transfer wing

Backflex radius: 30 mm

Max load capacity: 25.000 N/m

Weight: 7.5 Kg/m²

Pin material: PBT (white)

Open surface: 23%

Standard length:

belt width ≤ 0.340mm: 3.048m belt length

belt width > 0.340mm, but ≤ 1.700mm: 1.524m belt length

belt width > 1.700: belt length on request

Standard materials

LFG	NGG
Low Friction Acetal Resin	New Generation



Pages
4⇒7



Pages
318⇒320

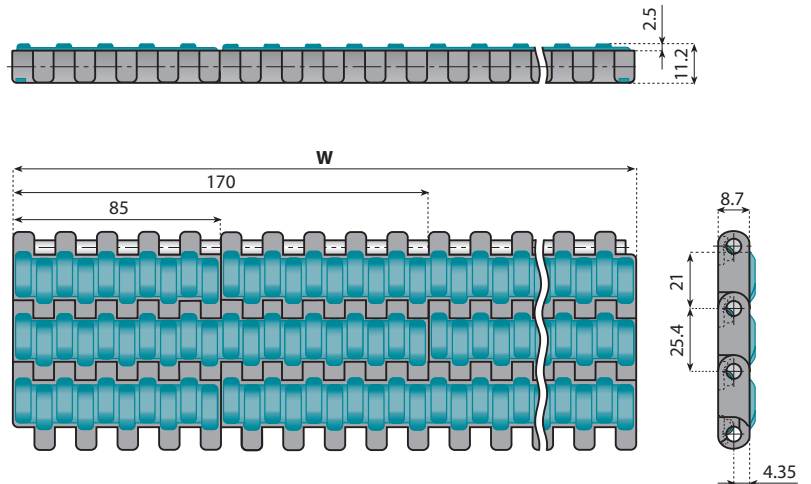
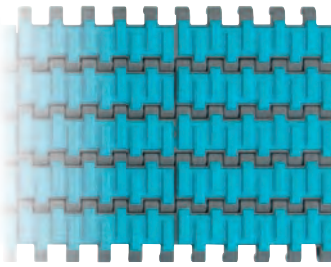


Pages
340⇒343

FOR BELTS AVAILABLE IN "NGG" MATERIAL JUST ADD "NGG" TO PART NUMBER (EXAMPLE "CODE 25801JSX-NGG")

Width W mm	Belts Ref.	Code	Width W mm	Belts Ref.	Code	Width W mm	Belts Ref.	Code	Width W mm	Belts Ref.	Code
85	2250-0085 J-FGTP2-SX	25800J	935	2250-0935 J-FGTP2-SX	25810J-SX	1785	2250-1785 J-FGTP2-SX	25820J-SX	2635	2250-2635 J-FGTP2-SX	25830J-SX
170	2250-0170 J-FGTP2-SX	25801J-SX	1020	2250-1020 J-FGTP2-SX	25811J-SX	1870	2250-1870 J-FGTP2-SX	25821J-SX	2720	2250-2720 J-FGTP2-SX	25831J-SX
255	2250-0255 J-FGTP2-SX	25802J-SX	1105	2250-1105 J-FGTP2-SX	25812J-SX	1955	2250-1955 J-FGTP2-SX	25822J-SX	2805	2250-2805 J-FGTP2-SX	25832J-SX
340	2250-0340 J-FGTP2-SX	25803J-SX	1190	2250-1190 J-FGTP2-SX	25813J-SX	2040	2250-2040 J-FGTP2-SX	25823J-SX	2890	2250-2890 J-FGTP2-SX	25833J-SX
425	2250-0425 J-FGTP2-SX	25804J-SX	1275	2250-1275 J-FGTP2-SX	25814J-SX	2125	2250-2125 J-FGTP2-SX	25824J-SX	2975	2250-2975 J-FGTP2-SX	25834J-SX
510	2250-0510 J-FGTP2-SX	25805J-SX	1360	2250-1360 J-FGTP2-SX	25815J-SX	2210	2250-2210 J-FGTP2-SX	25825J-SX	3060	2250-3060 J-FGTP2-SX	25835J-SX
595	2250-0595 J-FGTP2-SX	25806J-SX	1445	2250-1445 J-FGTP2-SX	25816J-SX	2295	2250-2295 J-FGTP2-SX	25826J-SX	3145	2250-3145 J-FGTP2-SX	25836J-SX
680	2250-0680 J-FGTP2-SX	25807J-SX	1530	2250-1530 J-FGTP2-SX	25817J-SX	2380	2250-2380 J-FGTP2-SX	25827J-SX	3230	2250-3230 J-FGTP2-SX	25837J-SX
765	2250-0765 J-FGTP2-SX	25808J-SX	1615	2250-1615 J-FGTP2-SX	25818J-SX	2465	2250-2465 J-FGTP2-SX	25828J-SX	3315	2250-3315 J-FGTP2-SX	25838J-SX
850	2250-0850 J-FGTP2-SX	25809J-SX	1700	2250-1700 J-FGTP2-SX	25819J-SX	2550	2250-2550 J-FGTP2-SX	25829J-SX	3400	2250-3400 J-FGTP2-SX	25839J-SX

Other widths available on request.



Version standard

Belt material: low friction acetal resin, dark grey colour

Rubber material: thermoplastic rubber, waterblue colour

Backflex radius: 30 mm

Max load capacity: 25.000 N/m

Pin material: PBT (white)

Standard length:

belt width ≤ 0.340mm: 3.048m belt length

belt width > 0.340mm, but ≤ 1.700mm: 1.524m belt length

belt width > 1.700: belt length on request

Standard materials

LFG	TPR
Low Friction Acetal Resin	Thermoplastic Rubber



Pages 4⇒7

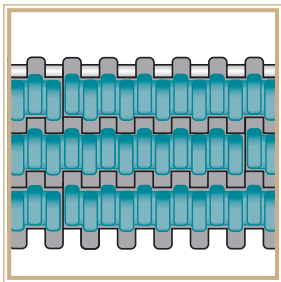


Pages 318⇒320



Pages 340⇒343

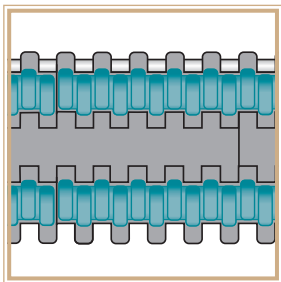
TYPE VG 2250



Weight: 8.7 Kg/m²

Width W mm	Belts Ref.	Code	Width W mm	Belts Ref.	Code	Width W mm	Belts Ref.	Code
85	VG 2250-0085	250000	935	VG 2250-0935	250010	1785	VG 2250-1785	250020
170	VG 2250-0170	250001	1020	VG 2250-1020	250011	1870	VG 2250-1870	250021
255	VG 2250-0255	250002	1105	VG 2250-1105	250012	1955	VG 2250-1955	250022
340	VG 2250-0340	250003	1190	VG 2250-1190	250013	2040	VG 2250-2040	250023
425	VG 2250-0425	250004	1275	VG 2250-1275	250014	2125	VG 2250-2125	250024
510	VG 2250-0510	250005	1360	VG 2250-1360	250015	2210	VG 2250-2210	250025
595	VG 2250-0595	250006	1445	VG 2250-1445	250016	2295	VG 2250-2295	250026
680	VG 2250-0680	250007	1530	VG 2250-1530	250017	2380	VG 2250-2380	250027
765	VG 2250-0765	250008	1615	VG 2250-1615	250018			
850	VG 2250-0850	250009	1700	VG 2250-1700	250019			

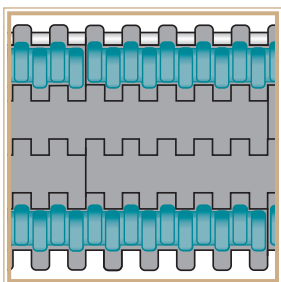
TYPE VG2-2250



Weight: 8.1 Kg/m²

Width W mm	Belts Ref.	Code	Width W mm	Belts Ref.	Code	Width W mm	Belts Ref.	Code
85	VG2 2250-0085	250100	935	VG2 2250-0935	250110	1785	VG2 2250-1785	250120
170	VG2 2250-0170	250101	1020	VG2 2250-1020	250111	1870	VG2 2250-1870	250121
255	VG2 2250-0255	250102	1105	VG2 2250-1105	250112	1955	VG2 2250-1955	250122
340	VG2 2250-0340	250103	1190	VG2 2250-1190	250113	2040	VG2 2250-2040	250123
425	VG2 2250-0425	250104	1275	VG2 2250-1275	250114	2125	VG2 2250-2125	250124
510	VG2 2250-0510	250105	1360	VG2 2250-1360	250115	2210	VG2 2250-2210	250125
595	VG2 2250-0595	250106	1445	VG2 2250-1445	250116	2295	VG2 2250-2295	250126
680	VG2 2250-0680	250107	1530	VG2 2250-1530	250117	2380	VG2 2250-2380	250127
765	VG2 2250-0765	250108	1615	VG2 2250-1615	250118			
850	VG2 2250-0850	250109	1700	VG2 2250-1700	250119			

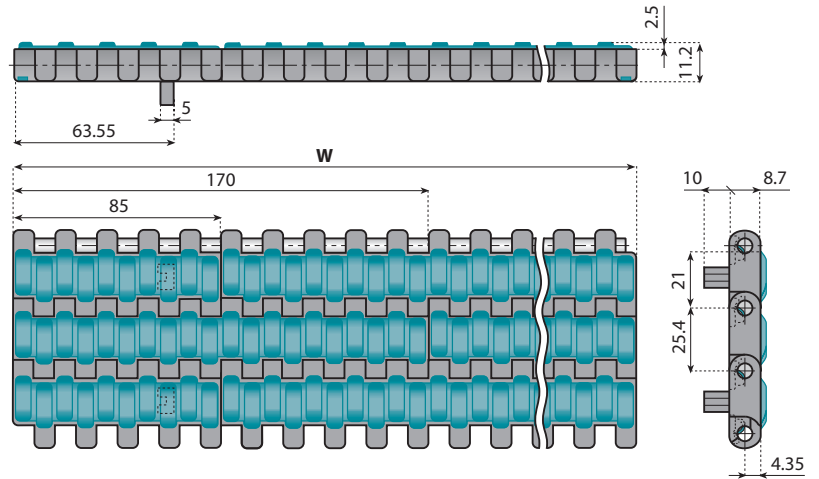
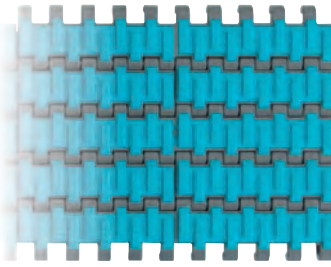
TYPE VG3-2250



Weight: 7.8 Kg/m²

Width W mm	Belts Ref.	Code	Width W mm	Belts Ref.	Code	Width W mm	Belts Ref.	Code
85	VG3 2250-0085	250200	935	VG3 2250-0935	250210	1785	VG3 2250-1785	250220
170	VG3 2250-0170	250201	1020	VG3 2250-1020	250211	1870	VG3 2250-1870	250221
255	VG3 2250-0255	250202	1105	VG3 2250-1105	250212	1955	VG3 2250-1955	250222
340	VG3 2250-0340	250203	1190	VG3 2250-1190	250213	2040	VG3 2250-2040	250223
425	VG3 2250-0425	250204	1275	VG3 2250-1275	250214	2125	VG3 2250-2125	250224
510	VG3 2250-0510	250205	1360	VG3 2250-1360	250215	2210	VG3 2250-2210	250225
595	VG3 2250-0595	250206	1445	VG3 2250-1445	250216	2295	VG3 2250-2295	250226
680	VG3 2250-0680	250207	1530	VG3 2250-1530	250217	2380	VG3 2250-2380	250227
765	VG3 2250-0765	250208	1615	VG3 2250-1615	250218			
850	VG3 2250-0850	250209	1700	VG3 2250-1700	250219			

Other widths available on request.



Version with one positioner

Belt material: low friction acetal resin, dark grey colour

Rubber material: thermoplastic rubber, waterblue colour

Backflex radius: 30 mm

Max load capacity: 25.000 N/m

Pin material: PBT (white)

Standard length:

belt width ≤ 0.340mm: 3.048m belt length

belt width > 0.340mm, but ≤ 1.700mm: 1.524m belt length

belt width > 1.700: belt length on request

Standard materials

LFG	TPR
Low Friction Acetal Resin	Thermoplastic Rubber



Pages 4⇒7

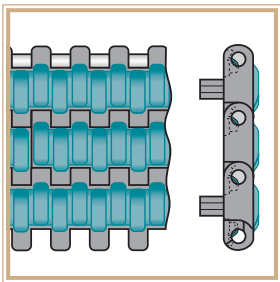


Pages 318⇒320



Pages 340⇒343

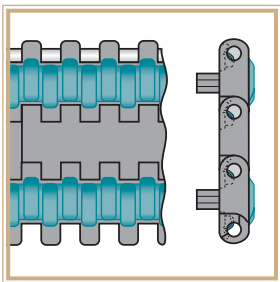
TYPE VG 2250 P1



Weight: 8.7 Kg/m²

Width W mm	Belts Ref.	Code	Width W mm	Belts Ref.	Code	Width W mm	Belts Ref.	Code
85	VG 2250-0085 P1	250300	935	VG 2250-0935 P1	250310	1785	VG 2250-1785 P1	250320
170	VG 2250-0170 P1	250301	1020	VG 2250-1020 P1	250311	1870	VG 2250-1870 P1	250321
255	VG 2250-0255 P1	250302	1105	VG 2250-1105 P1	250312	1955	VG 2250-1955 P1	250322
340	VG 2250-0340 P1	250303	1190	VG 2250-1190 P1	250313	2040	VG 2250-2040 P1	250323
425	VG 2250-0425 P1	250304	1275	VG 2250-1275 P1	250314	2125	VG 2250-2125 P1	250324
510	VG 2250-0510 P1	250305	1360	VG 2250-1360 P1	250315	2210	VG 2250-2210 P1	250325
595	VG 2250-0595 P1	250306	1445	VG 2250-1445 P1	250316	2295	VG 2250-2295 P1	250326
680	VG 2250-0680 P1	250307	1530	VG 2250-1530 P1	250317	2380	VG 2250-2380 P1	250327
765	VG 2250-0765 P1	250308	1615	VG 2250-1615 P1	250318			
850	VG 2250-0850 P1	250309	1700	VG 2250-1700 P1	250319			

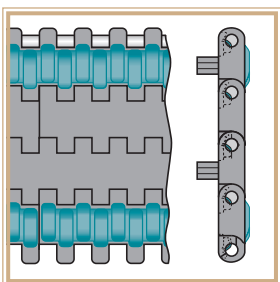
TYPE VG2-2250 P1



Weight: 8.1 Kg/m²

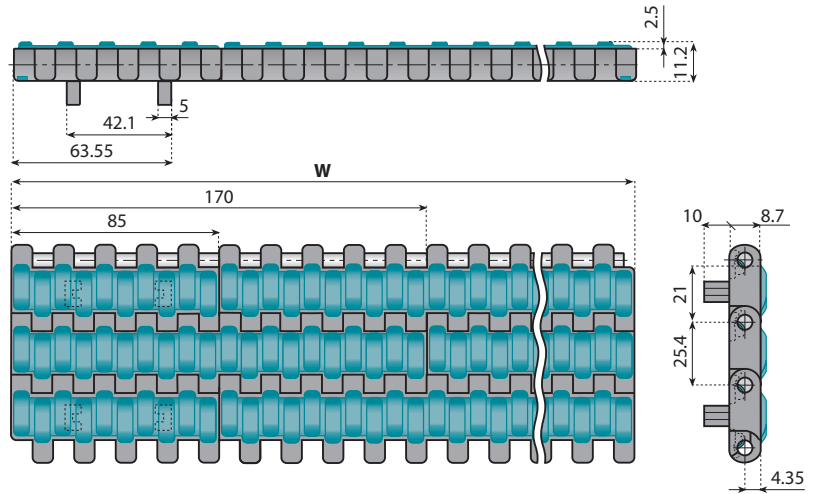
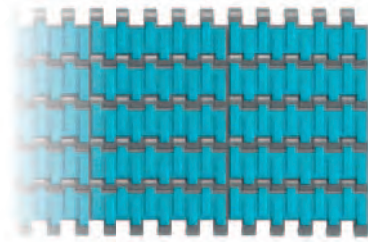
Width W mm	Belts Ref.	Code	Width W mm	Belts Ref.	Code	Width W mm	Belts Ref.	Code
85	VG2 2250-0085 P1	250400	935	VG2 2250-0935 P1	250410	1785	VG2 2250-1785 P1	250420
170	VG2 2250-0170 P1	250401	1020	VG2 2250-1020 P1	250411	1870	VG2 2250-1870 P1	250421
255	VG2 2250-0255 P1	250402	1105	VG2 2250-1105 P1	250412	1955	VG2 2250-1955 P1	250422
340	VG2 2250-0340 P1	250403	1190	VG2 2250-1190 P1	250413	2040	VG2 2250-2040 P1	250423
425	VG2 2250-0425 P1	250404	1275	VG2 2250-1275 P1	250414	2125	VG2 2250-2125 P1	250424
510	VG2 2250-0510 P1	250405	1360	VG2 2250-1360 P1	250415	2210	VG2 2250-2210 P1	250425
595	VG2 2250-0595 P1	250406	1445	VG2 2250-1445 P1	250416	2295	VG2 2250-2295 P1	250426
680	VG2 2250-0680 P1	250407	1530	VG2 2250-1530 P1	250417	2380	VG2 2250-2380 P1	250427
765	VG2 2250-0765 P1	250408	1615	VG2 2250-1615 P1	250418			
850	VG2 2250-0850 P1	250409	1700	VG2 2250-1700 P1	250419			

TYPE VG3-2250 P2



Weight: 7.8 Kg/m²

Width W mm	Belts Ref.	Code	Width W mm	Belts Ref.	Code	Width W mm	Belts Ref.	Code
85	VG3 2250-0085 P1	250500	935	VG3 2250-0935 P1	250510	1785	VG3 2250-1785 P1	250520
170	VG3 2250-0170 P1	250501	1020	VG3 2250-1020 P1	250511	1870	VG3 2250-1870 P1	250521
255	VG3 2250-0255 P1	250502	1105	VG3 2250-1105 P1	250512	1955	VG3 2250-1955 P1	250522
340	VG3 2250-0340 P1	250503	1190	VG3 2250-1190 P1	250513	2040	VG3 2250-2040 P1	250523
425	VG3 2250-0425 P1	250504	1275	VG3 2250-1275 P1	250514	2125	VG3 2250-2125 P1	250524
510	VG3 2250-0510 P1	250505	1360	VG3 2250-1360 P1	250515	2210	VG3 2250-2210 P1	250525
595	VG3 2250-0595 P1	250506	1445	VG3 2250-1445 P1	250516	2295	VG3 2250-2295 P1	250526
680	VG3 2250-0680 P1	250507	1530	VG3 2250-1530 P1	250517	2380	VG3 2250-2380 P1	250527
765	VG3 2250-0765 P1	250508	1615	VG3 2250-1615 P1	250518			
850	VG3 2250-0850 P1	250509	1700	VG3 2250-1700 P1	250519			



Version with two positioners

Belt material: low friction acetal resin, dark grey colour

Rubber material: thermoplastic rubber, waterblue colour

Backflex radius: 30 mm

Max load capacity: 25.000 N/m

Pin material: PBT (white)

Standard length:

belt width ≤ 0.340mm: 3.048m belt length

belt width > 0.340mm, but ≤ 1.700mm: 1.524m belt length

belt width > 1.700: belt length on request

Standard materials

LFG	TPR
Low Friction Acetal Resin	Thermoplastic Rubber



Pages 4⇒7

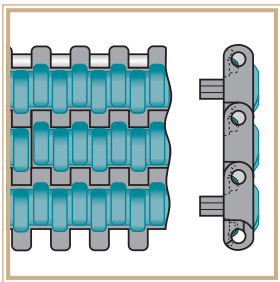


Pages 318⇒320



Pages 340⇒343

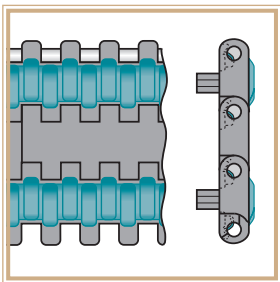
TYPE VG 2250 P2



Weight: 8.7 Kg/m²

Width W mm	Belts Ref.	Code	Width W mm	Belts Ref.	Code	Width W mm	Belts Ref.	Code
85	VG 2250-0085 P2	250600	935	VG 2250-0935 P2	250610	1785	VG 2250-1785 P2	250620
170	VG 2250-0170 P2	250601	1020	VG 2250-1020 P2	250611	1870	VG 2250-1870 P2	250621
255	VG 2250-0255 P2	250602	1105	VG 2250-1105 P2	250612	1955	VG 2250-1955 P2	250622
340	VG 2250-0340 P2	250603	1190	VG 2250-1190 P2	250613	2040	VG 2250-2040 P2	250623
425	VG 2250-0425 P2	250604	1275	VG 2250-1275 P2	250614	2125	VG 2250-2125 P2	250624
510	VG 2250-0510 P2	250605	1360	VG 2250-1360 P2	250615	2210	VG 2250-2210 P2	250625
595	VG 2250-0595 P2	250606	1445	VG 2250-1445 P2	250616	2295	VG 2250-2295 P2	250626
680	VG 2250-0680 P2	250607	1530	VG 2250-1530 P2	250617	2380	VG 2250-2380 P2	250627
765	VG 2250-0765 P2	250608	1615	VG 2250-1615 P2	250618			
850	VG 2250-0850 P2	250609	1700	VG 2250-1700 P2	250619			

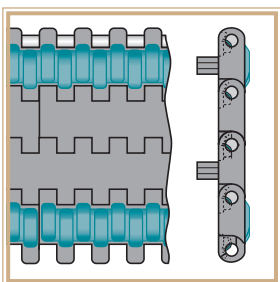
TYPE VG2-2250 P2



Weight: 8.1 Kg/m²

Width W mm	Belts Ref.	Code	Width W mm	Belts Ref.	Code	Width W mm	Belts Ref.	Code
85	VG2 2250-0085 P2	250700	935	VG2 2250-0935 P2	250710	1785	VG2 2250-1785 P2	250720
170	VG2 2250-0170 P2	250701	1020	VG2 2250-1020 P2	250711	1870	VG2 2250-1870 P2	250721
255	VG2 2250-0255 P2	250702	1105	VG2 2250-1105 P2	250712	1955	VG2 2250-1955 P2	250722
340	VG2 2250-0340 P2	250703	1190	VG2 2250-1190 P2	250713	2040	VG2 2250-2040 P2	250723
425	VG2 2250-0425 P2	250704	1275	VG2 2250-1275 P2	250714	2125	VG2 2250-2125 P2	250724
510	VG2 2250-0510 P2	250705	1360	VG2 2250-1360 P2	250715	2210	VG2 2250-2210 P2	250725
595	VG2 2250-0595 P2	250706	1445	VG2 2250-1445 P2	250716	2295	VG2 2250-2295 P2	250726
680	VG2 2250-0680 P2	250707	1530	VG2 2250-1530 P2	250717	2380	VG2 2250-2380 P2	250727
765	VG2 2250-0765 P2	250708	1615	VG2 2250-1615 P2	250718			
850	VG2 2250-0850 P2	250709	1700	VG2 2250-1700 P2	250719			

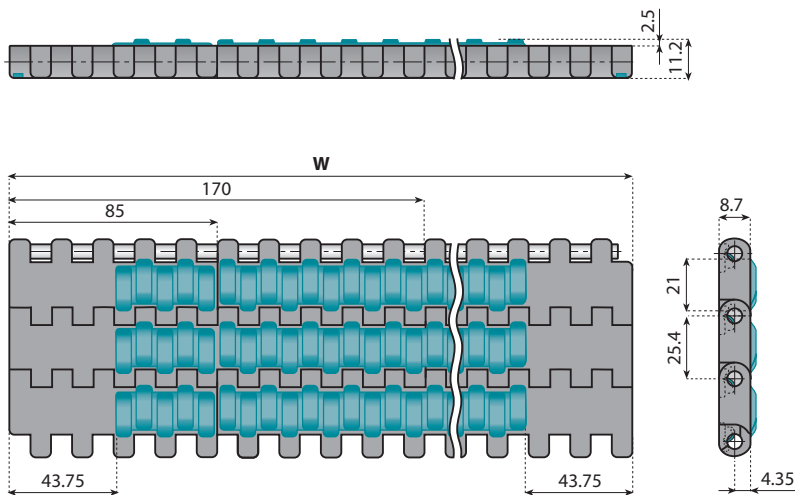
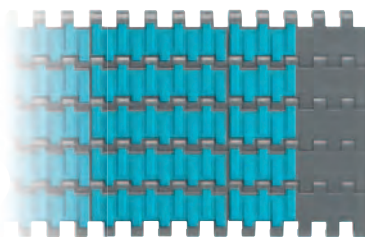
TYPE VG3-2250 P2



Weight: 7.8 Kg/m²

Width W mm	Belts Ref.	Code	Width W mm	Belts Ref.	Code	Width W mm	Belts Ref.	Code
85	VG3 2250-0085 P2	250800	935	VG3 2250-0935 P2	250810	1785	VG3 2250-1785 P2	250820
170	VG3 2250-0170 P2	250801	1020	VG3 2250-1020 P2	250811	1870	VG3 2250-1870 P2	250821
255	VG3 2250-0255 P2	250802	1105	VG3 2250-1105 P2	250812	1955	VG3 2250-1955 P2	250822
340	VG3 2250-0340 P2	250803	1190	VG3 2250-1190 P2	250813	2040	VG3 2250-2040 P2	250823
425	VG3 2250-0425 P2	250804	1275	VG3 2250-1275 P2	250814	2125	VG3 2250-2125 P2	250824
510	VG3 2250-0510 P2	250805	1360	VG3 2250-1360 P2	250815	2210	VG3 2250-2210 P2	250825
595	VG3 2250-0595 P2	250806	1445	VG3 2250-1445 P2	250816	2295	VG3 2250-2295 P2	250826
680	VG3 2250-0680 P2	250807	1530	VG3 2250-1530 P2	250817	2380	VG3 2250-2380 P2	250827
765	VG3 2250-0765 P2	250808	1615	VG3 2250-1615 P2	250818			
850	VG3 2250-0850 P2	250809	1700	VG3 2250-1700 P2	250819			

Other widths available on request.



Version with side indent

Belt material: low friction acetal resin, dark grey colour

Rubber material: thermoplastic rubber, waterblue colour

Backflex radius: 30 mm

Max load capacity: 25.000 N/m

Pin material: PBT (white)

Standard length:

belt width ≤ 0.340m: 3.048m belt length

belt width > 0.340m, but ≤ 1.700m: 1.524m belt length

belt width > 1.700: belt length on request

Standard materials

LFG	TPR
Low Friction Acetal Resin	Thermoplastic Rubber



Pages 4⇒7

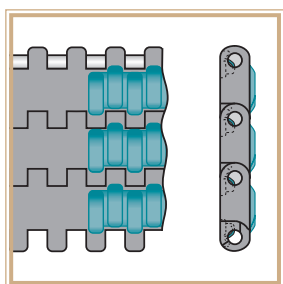


Pages 318⇒320



Pages 340⇒343

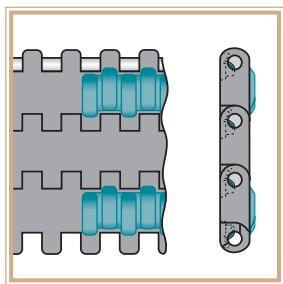
TYPE VGS 2250



Weight: 8.7 Kg/m²

Width W mm	Belts Ref.	Code	Width W mm	Belts Ref.	Code	Width W mm	Belts Ref.	Code
85	-	-	935	VGS 2250-0935	250060	1785	VGS 2250-1785	250070
170	-	-	1020	VGS 2250-1020	250061	1870	VGS 2250-1870	250071
255	VGS 2250-0255	250052	1105	VGS 2250-1105	250062	1955	VGS 2250-1955	250072
340	VGS 2250-0340	250053	1190	VGS 2250-1190	250063	2040	VGS 2250-2040	250073
425	VGS 2250-0425	250054	1275	VGS 2250-1275	250064	2125	VGS 2250-2125	250074
510	VGS 2250-0510	250055	1360	VGS 2250-1360	250065	2210	VGS 2250-2210	250075
595	VGS 2250-0595	250056	1445	VGS 2250-1445	250066	2295	VGS 2250-2295	250076
680	VGS 2250-0680	250057	1530	VGS 2250-1530	250067	2380	VGS 2250-2380	250077
765	VGS 2250-0765	250058	1615	VGS 2250-1615	250068			
850	VGS 2250-0850	250059	1700	VGS 2250-1700	250069			

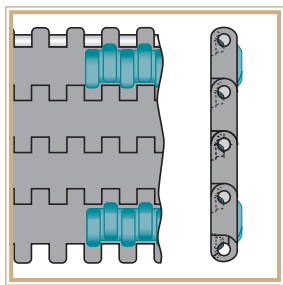
TYPE VGS2-2250



Weight: 8.1 Kg/m²

Width W mm	Belts Ref.	Code	Width W mm	Belts Ref.	Code	Width W mm	Belts Ref.	Code
85	-	-	935	VGS2 2250-0935	250160	1785	VGS2 2250-1785	250170
170	VGS2 2250-0170	250151	1020	VGS2 2250-1020	250161	1870	VGS2 2250-1870	250171
255	VGS2 2250-0255	250152	1105	VGS2 2250-1105	250162	1955	VGS2 2250-1955	250172
340	VGS2 2250-0340	250153	1190	VGS2 2250-1190	250163	2040	VGS2 2250-2040	250173
425	VGS2 2250-0425	250154	1275	VGS2 2250-1275	250164	2125	VGS2 2250-2125	250174
510	VGS2 2250-0510	250155	1360	VGS2 2250-1360	250165	2210	VGS2 2250-2210	250175
595	VGS2 2250-0595	250156	1445	VGS2 2250-1445	250166	2295	VGS2 2250-2295	250176
680	VGS2 2250-0680	250157	1530	VGS2 2250-1530	250167	2380	VGS2 2250-2380	250177
765	VGS2 2250-0765	250158	1615	VGS2 2250-1615	250168			
850	VGS2 2250-0850	250159	1700	VGS2 2250-1700	250169			

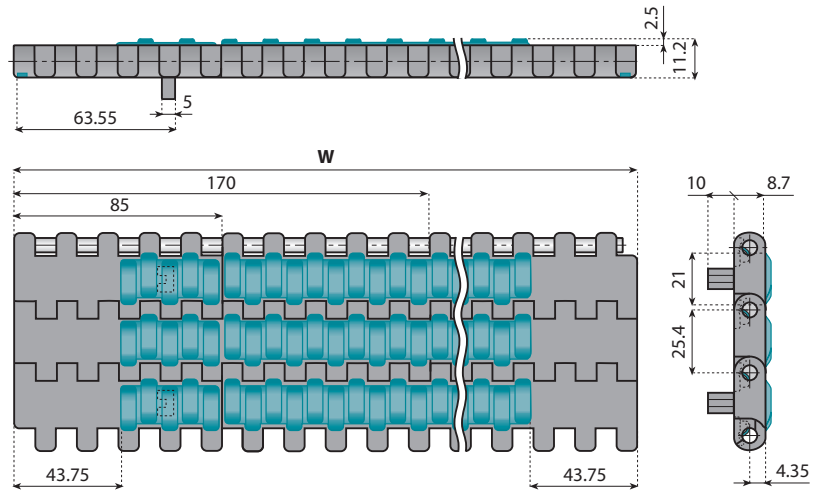
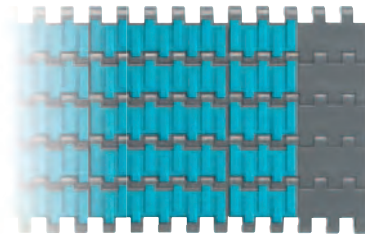
TYPE VGS3-2250



Weight: 7.8 Kg/m²

Width W mm	Belts Ref.	Code	Width W mm	Belts Ref.	Code	Width W mm	Belts Ref.	Code
85	-	-	935	VGS3 2250-0935	250260	1785	VGS3 2250-1785	250270
170	VGS3 2250-0170	250251	1020	VGS3 2250-1020	250261	1870	VGS3 2250-1870	250271
255	VGS3 2250-0255	250252	1105	VGS3 2250-1105	250262	1955	VGS3 2250-1955	250272
340	VGS3 2250-0340	250253	1190	VGS3 2250-1190	250263	2040	VGS3 2250-2040	250273
425	VGS3 2250-0425	250254	1275	VGS3 2250-1275	250264	2125	VGS3 2250-2125	250274
510	VGS3 2250-0510	250255	1360	VGS3 2250-1360	250265	2210	VGS3 2250-2210	250275
595	VGS3 2250-0595	250256	1445	VGS3 2250-1445	250266	2295	VGS3 2250-2295	250276
680	VGS3 2250-0680	250257	1530	VGS3 2250-1530	250267	2380	VGS3 2250-2380	250277
765	VGS3 2250-0765	250258	1615	VGS3 2250-1615	250268			
850	VGS3 2250-0850	250259	1700	VGS3 2250-1700	250269			

Other widths available on request.



Version with side indent and one positioner

Belt material: low friction acetal resin, dark grey colour

Rubber material: thermoplastic rubber, waterblue colour

Backflex radius: 30 mm

Max load capacity: 25.000 N/m

Pin material: PBT (white)

Standard length:

belt width ≤ 0.340mm: 3.048m belt length

belt width > 0.340mm, but ≤ 1.700mm: 1.524m belt length

belt width > 1.700: belt length on request

Standard materials

LFG	TPR
Low Friction Acetal Resin	Thermoplastic Rubber



Pages 4⇒7

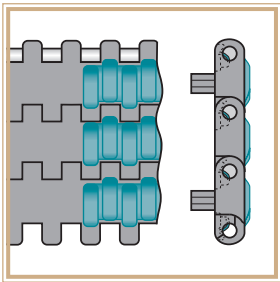


Pages 318⇒320



Pages 340⇒343

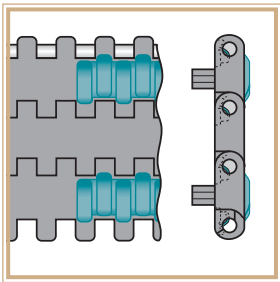
TYPE VGS 2250 P1



Weight: 8.7 Kg/m²

Width W mm	Belts Ref.	Code	Width W mm	Belts Ref.	Code	Width W mm	Belts Ref.	Code
85	-	-	935	VGS 2250-0935 P1	250360	1785	VGS 2250-1785 P1	250370
170	-	-	1020	VGS 2250-1020 P1	250361	1870	VGS 2250-1870 P1	250371
255	VGS 2250-0255 P1	250352	1105	VGS 2250-1105 P1	250362	1955	VGS 2250-1955 P1	250372
340	VGS 2250-0340 P1	250353	1190	VGS 2250-1190 P1	250363	2040	VGS 2250-2040 P1	250373
425	VGS 2250-0425 P1	250354	1275	VGS 2250-1275 P1	250364	2125	VGS 2250-2125 P1	250374
510	VGS 2250-0510 P1	250355	1360	VGS 2250-1360 P1	250365	2210	VGS 2250-2210 P1	250375
595	VGS 2250-0595 P1	250356	1445	VGS 2250-1445 P1	250366	2295	VGS 2250-2295 P1	250376
680	VGS 2250-0680 P1	250357	1530	VGS 2250-1530 P1	250367	2380	VGS 2250-2380 P1	250377
765	VGS 2250-0765 P1	250358	1615	VGS 2250-1615 P1	250368			
850	VGS 2250-0850 P1	250359	1700	VGS 2250-1700 P1	250369			

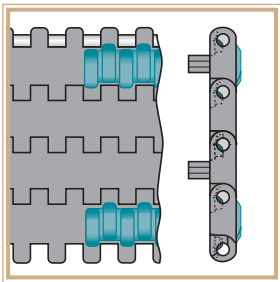
TYPE VGS2-2250 P1



Weight: 8.1 Kg/m²

Width W mm	Belts Ref.	Code	Width W mm	Belts Ref.	Code	Width W mm	Belts Ref.	Code
85	-	-	935	VGS2 2250-0935 P1	250460	1785	VGS2 2250-1785 P1	250470
170	VGS2 2250-0170 P1	250451	1020	VGS2 2250-1020 P1	250461	1870	VGS2 2250-1870 P1	250471
255	VGS2 2250-0255 P1	250452	1105	VGS2 2250-1105 P1	250462	1955	VGS2 2250-1955 P1	250472
340	VGS2 2250-0340 P1	250453	1190	VGS2 2250-1190 P1	250463	2040	VGS2 2250-2040 P1	250473
425	VGS2 2250-0425 P1	250454	1275	VGS2 2250-1275 P1	250464	2125	VGS2 2250-2125 P1	250474
510	VGS2 2250-0510 P1	250455	1360	VGS2 2250-1360 P1	250465	2210	VGS2 2250-2210 P1	250475
595	VGS2 2250-0595 P1	250456	1445	VGS2 2250-1445 P1	250466	2295	VGS2 2250-2295 P1	250476
680	VGS2 2250-0680 P1	250457	1530	VGS2 2250-1530 P1	250467	2380	VGS2 2250-2380 P1	250477
765	VGS2 2250-0765 P1	250458	1615	VGS2 2250-1615 P1	250468			
850	VGS2 2250-0850 P1	250459	1700	VGS2 2250-1700 P1	250469			

TYPE VGS3-2250 P1

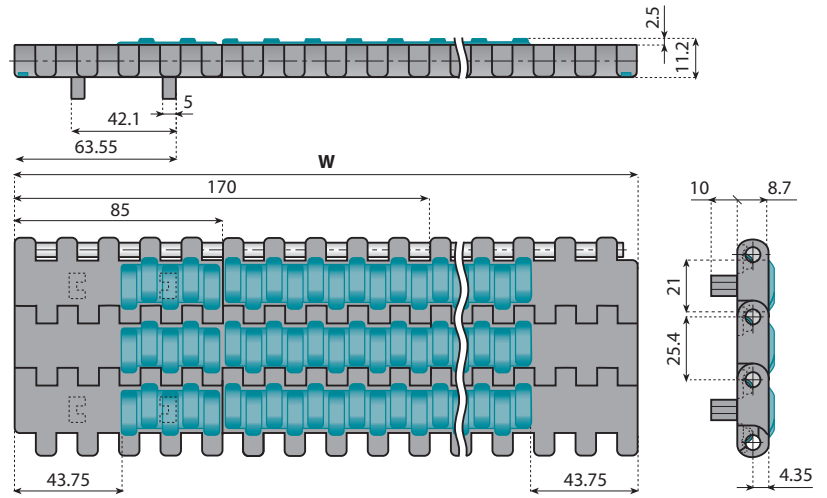
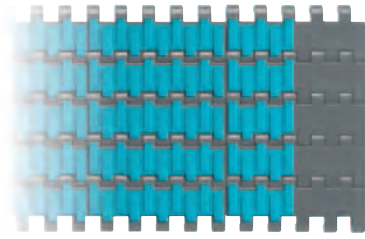


Weight: 7.8 Kg/m²

Width W mm	Belts Ref.	Code	Width W mm	Belts Ref.	Code	Width W mm	Belts Ref.	Code
85	-	-	935	VGS3 2250-0935 P1	250560	1785	VGS3 2250-1785 P1	250570
170	-	-	1020	VGS3 2250-1020 P1	250561	1870	VGS3 2250-1870 P1	250571
255	VGS3 2250-0255 P1	250552	1105	VGS3 2250-1105 P1	250562	1955	VGS3 2250-1955 P1	250572
340	VGS3 2250-0340 P1	250553	1190	VGS3 2250-1190 P1	250563	2040	VGS3 2250-2040 P1	250573
425	VGS3 2250-0425 P1	250554	1275	VGS3 2250-1275 P1	250564	2125	VGS3 2250-2125 P1	250574
510	VGS3 2250-0510 P1	250555	1360	VGS3 2250-1360 P1	250565	2210	VGS3 2250-2210 P1	250575
595	VGS3 2250-0595 P1	250556	1445	VGS3 2250-1445 P1	250566	2295	VGS3 2250-2295 P1	250576
680	VGS3 2250-0680 P1	250557	1530	VGS3 2250-1530 P1	250567	2380	VGS3 2250-2380 P1	250577
765	VGS3 2250-0765 P1	250558	1615	VGS3 2250-1615 P1	250568			
850	VGS3 2250-0850 P1	250559	1700	VGS3 2250-1700 P1	250569			

Other widths available on request.

GRIP BELTS (PITCH 1" - 25.4 MM) WITH HIGH FRICTION SURFACE (SIDE INDENT) VGS 2250 P2



Version with side indent and two positioners

Belt material: low friction acetal resin, dark grey colour

Rubber material: thermoplastic rubber, waterblue colour

Backflex radius: 30 mm

Max load capacity: 25.000 N/m

Pin material: PBT (white)

Standard length:

belt width ≤ 0.340mm: 3.048m belt length

belt width > 0.340mm, but ≤ 1.700mm: 1.524m belt length

belt width > 1.700: belt length on request

Standard materials

LFG	TPR
Low Friction Acetal Resin	Thermoplastic Rubber



Pages 4⇒7

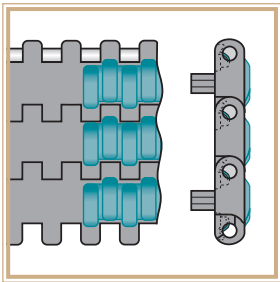


Pages 318⇒320



Pages 340⇒343

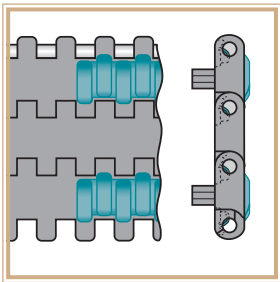
TYPE VGS 2250 P2



Weight: 8.7 Kg/m²

Width W mm	Belts Ref.	Code	Width W mm	Belts Ref.	Code	Width W mm	Belts Ref.	Code
85	-	-	935	VGS 2250-0935 P2	250660	1785	VGS 2250-1785 P2	250670
170	-	-	1020	VGS 2250-1020 P2	250661	1870	VGS 2250-1870 P2	250671
255	VGS 2250-0255 P2	250652	1105	VGS 2250-1105 P2	250662	1955	VGS 2250-1955 P2	250672
340	VGS 2250-0340 P2	250653	1190	VGS 2250-1190 P2	250663	2040	VGS 2250-2040 P2	250673
425	VGS 2250-0425 P2	250654	1275	VGS 2250-1275 P2	250664	2125	VGS 2250-2125 P2	250674
510	VGS 2250-0510 P2	250655	1360	VGS 2250-1360 P2	250665	2210	VGS 2250-2210 P2	250675
595	VGS 2250-0595 P2	250656	1445	VGS 2250-1445 P2	250666	2295	VGS 2250-2295 P2	250676
680	VGS 2250-0680 P2	250657	1530	VGS 2250-1530 P2	250667	2380	VGS 2250-2380 P2	250677
765	VGS 2250-0765 P2	250658	1615	VGS 2250-1615 P2	250668			
850	VGS 2250-0850 P2	250659	1700	VGS 2250-1700 P2	250669			

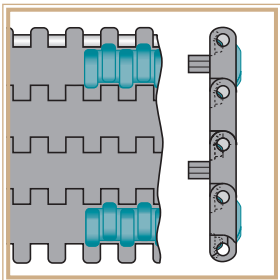
TYPE VGS2-2250 P2



Weight: 8.1 Kg/m²

Width W mm	Belts Ref.	Code	Width W mm	Belts Ref.	Code	Width W mm	Belts Ref.	Code
85	-	-	935	VGS2 2250-0935 P2	250760	1785	VGS2 2250-1785 P2	250770
170	VGS2 2250-0170 P2	250751	1020	VGS2 2250-1020 P2	250761	1870	VGS2 2250-1870 P2	250771
255	VGS2 2250-0255 P2	250752	1105	VGS2 2250-1105 P2	250762	1955	VGS2 2250-1955 P2	250772
340	VGS2 2250-0340 P2	250753	1190	VGS2 2250-1190 P2	250763	2040	VGS2 2250-2040 P2	250773
425	VGS2 2250-0425 P2	250754	1275	VGS2 2250-1275 P2	250764	2125	VGS2 2250-2125 P2	250774
510	VGS2 2250-0510 P2	250755	1360	VGS2 2250-1360 P2	250765	2210	VGS2 2250-2210 P2	250775
595	VGS2 2250-0595 P2	250756	1445	VGS2 2250-1445 P2	250766	2295	VGS2 2250-2295 P2	250776
680	VGS2 2250-0680 P2	250757	1530	VGS2 2250-1530 P2	250767	2380	VGS2 2250-2380 P2	250777
765	VGS2 2250-0765 P2	250758	1615	VGS2 2250-1615 P2	250768			
850	VGS2 2250-0850 P2	250759	1700	VGS2 2250-1700 P2	250769			

TYPE VGS3-2250 P2



Weight: 7.8 Kg/m²

Width W mm	Belts Ref.	Code	Width W mm	Belts Ref.	Code	Width W mm	Belts Ref.	Code
85	-	-	935	VGS3 2250-0935 P2	250860	1785	VGS3 2250-1785 P2	250870
170	-	-	1020	VGS3 2250-1020 P2	250861	1870	VGS3 2250-1870 P2	250871
255	VGS3 2250-0255 P2	250852	1105	VGS3 2250-1105 P2	250862	1955	VGS3 2250-1955 P2	250872
340	VGS3 2250-0340 P2	250853	1190	VGS3 2250-1190 P2	250863	2040	VGS3 2250-2040 P2	250873
425	VGS3 2250-0425 P2	250854	1275	VGS3 2250-1275 P2	250864	2125	VGS3 2250-2125 P2	250874
510	VGS3 2250-0510 P2	250855	1360	VGS3 2250-1360 P2	250865	2210	VGS3 2250-2210 P2	250875
595	VGS3 2250-0595 P2	250856	1445	VGS3 2250-1445 P2	250866	2295	VGS3 2250-2295 P2	250876
680	VGS3 2250-0680 P2	250857	1530	VGS3 2250-1530 P2	250867	2380	VGS3 2250-2380 P2	250877
765	VGS3 2250-0765 P2	250858	1615	VGS3 2250-1615 P2	250868			
850	VGS3 2250-0850 P2	250859	1700	VGS3 2250-1700 P2	250869			

Other widths available on request.

2250 BELTS WITH FLIGHTS

Our 2250 series modular plastic belts can now be equipped with flights to convey products up an incline. The flights can be integrated into Flat Top or Flush Grid belts and can be made in different FDA approved materials and in different colors.

The height of the flights is 2 inch, but also 1 inch and 3 inch height can be molded. The molded quality guarantees a smooth and hygienic product. It is easy to clean.

In order to facilitate a proper support of the belts in the return part of the conveyor, a belt can be made with side indents on the flights. The side indent can be 17, 34 or 51 mm with 51 mm being the standard indent. For wider belts it is even possible to have 1, 2 or 3 notches in between the flights.

The distance between 2 rows of flights can be made as required. You can just indicate the pitch between the rows that carry the flights.

Example modules:

3 inch (76 mm) height



2 inch (51 mm) height



1 inch (25 mm) height



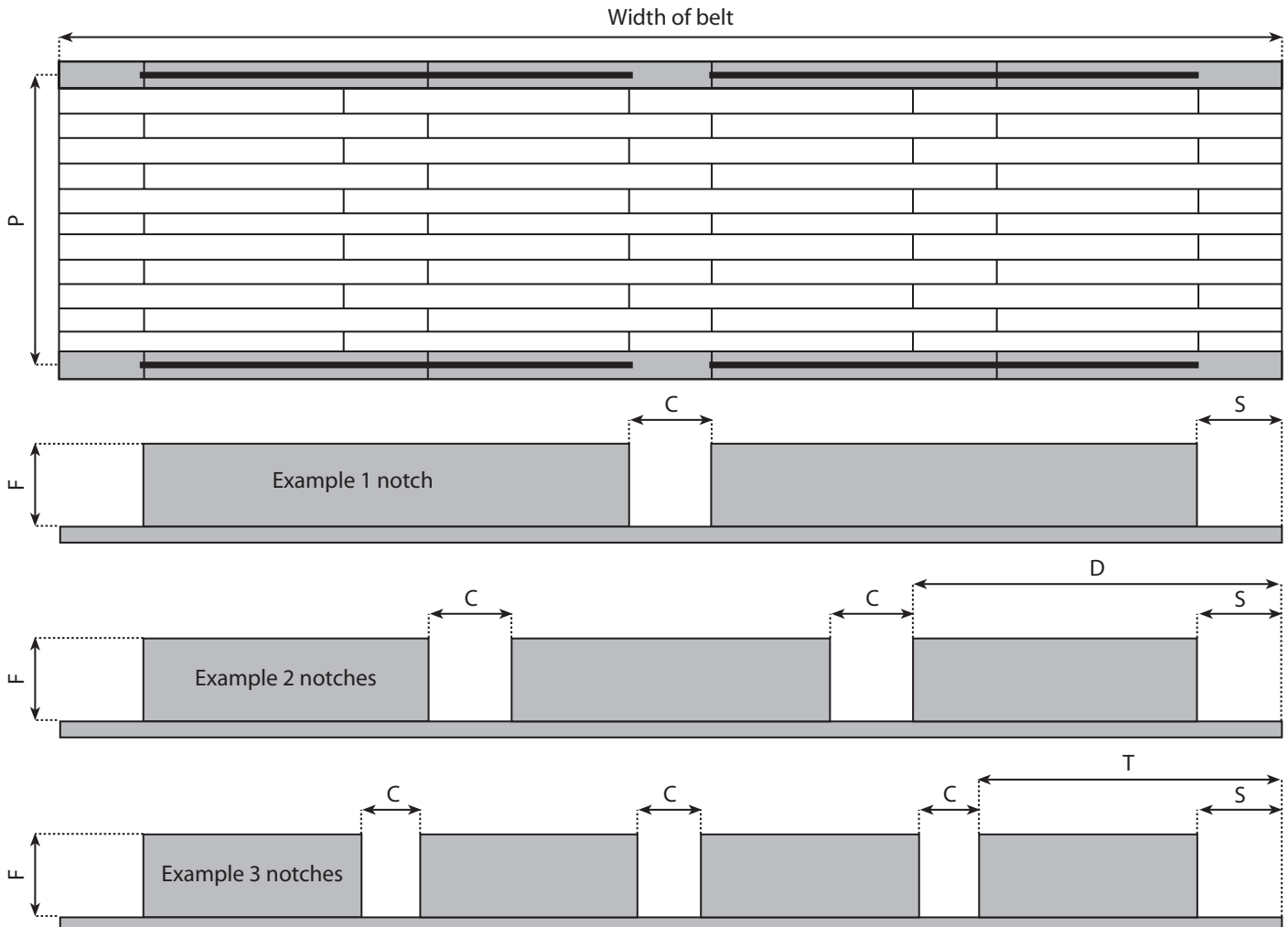
17 mm side indent



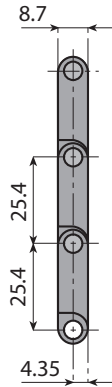
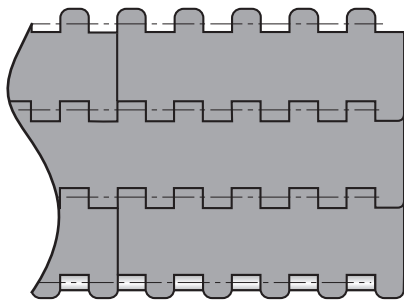
34 mm side indent



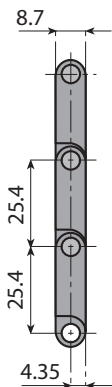
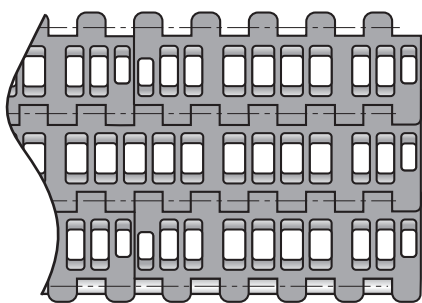
51 mm side indent



Flat Top

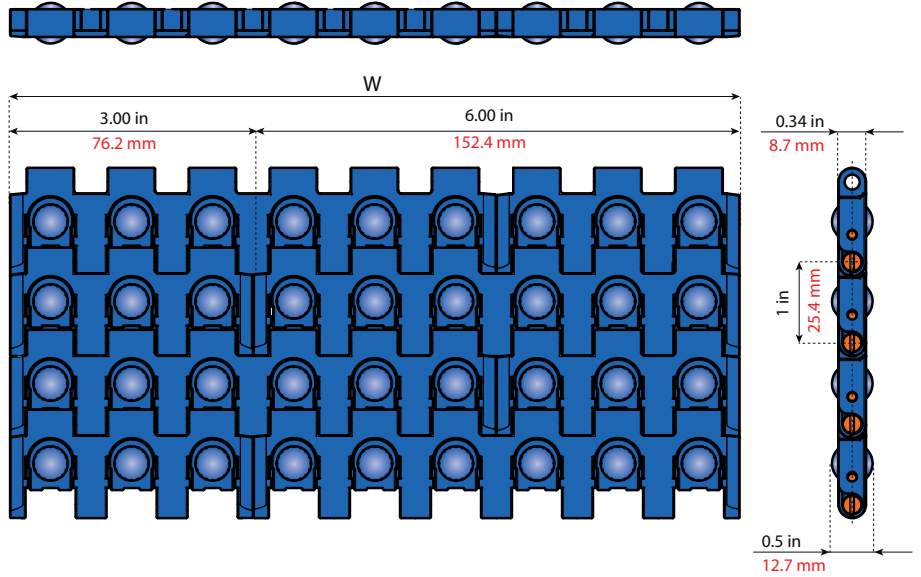
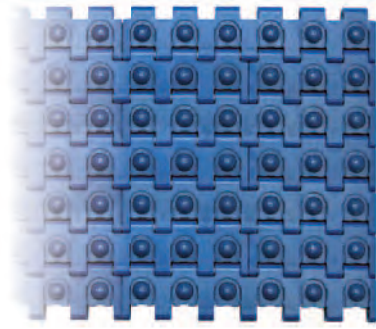


Flush grid



Below you see an example of a questionnaire. If you select the belt version and tick the boxes of the dimensions that you require, we know exactly what belt to produce!

Questionnaire belt with flights			
Series	<input type="checkbox"/> 2250		
Style	<input type="checkbox"/> Flat Top		
	<input type="checkbox"/> Flush Grid		
Width in mm	<input type="checkbox"/> Standard: multiples of 85 mm	<input type="text"/>	
	<input type="checkbox"/> Special: multiples of 17 mm	<input type="text"/>	
Material	<input type="checkbox"/> LFG (POM dark grey)	<input type="checkbox"/> Different: Color:	
	<input type="checkbox"/> LFW (POM white)		
	<input type="checkbox"/> PPW (PP white)		
Height of flight [F]	<input type="checkbox"/> Preferred: 2 inch (51 mm)	<input type="checkbox"/> 1 inch (25 mm)	
		<input type="checkbox"/> 3 inch (76 mm; maximum)	
		<input type="checkbox"/> Special different: <input type="text"/> mm	
Pitch of flights [P]	1 row of flights every: <input type="text"/> pitches		
Side indent [S]	<input type="checkbox"/> Standard: no side indent	<input type="checkbox"/> 17 mm	
	<input type="checkbox"/> Standard: 51 mm	<input type="checkbox"/> 34 mm	
		<input type="checkbox"/> Special different: <input type="text"/> mm	
Notch	<input type="checkbox"/> Standard: no notch	<input type="checkbox"/> Special: 2 notches symmetrical	
	<input type="checkbox"/> Standard: 1 notch in centre	<input type="checkbox"/> Special: 3 notches symmetrical	
Width of notch(es) [C] in mm	<input type="checkbox"/> Standard: multiples of 17 mm	<input type="checkbox"/> Special different: <input type="text"/>	
Distance from side of outer notch to side of belt in mm	<input type="checkbox"/> 2 notches, distance D	<input type="text"/>	
	<input type="checkbox"/> 3 notches, distance T	<input type="text"/>	



Backflex radius:
40 mm - 1.575 inch.
Max load capacity:
9.000 N/m - 617 lbs/ft
Max load per ball: 0,5 kg
Weight: 10,5 kg/m² - 2.15 lb/ft²
Ball material: Polyamide
Standard length:
Up to 9 inch width: 1.016 mm - 40 inch
Above 9 inch width: 508 mm - 20 inch
Standard pin material: PBT (white)

Standard Material

LFB

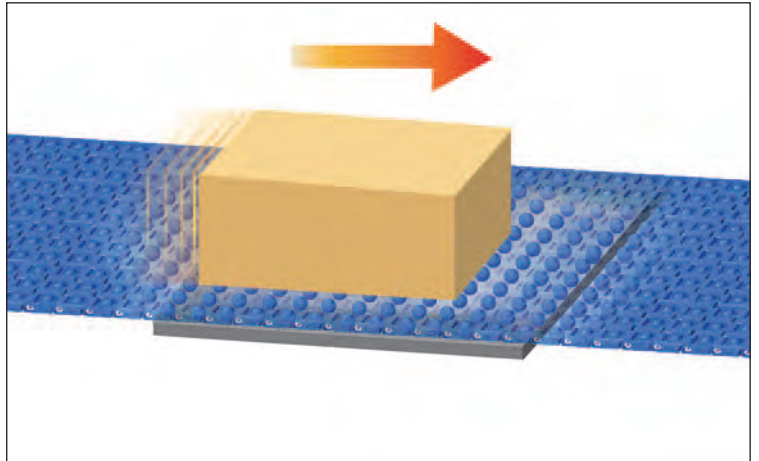
Low Friction Acetal
(standard material
color Blue)

MATERIAL Pages 4⇨7  Pages 320  Pages 340⇨343

Width W		Belts Ref.	Code	Width W		Belts Ref.	Code
inch	mm			inch	mm		
3.00	76	2253 - 0003 RT	261400LFB	48.00	1219	2253 - 0048 RT	261415LFB
6.00	152	2253 - 0006 RT	261401LFB	51.00	1295	2253 - 0051 RT	261416LFB
9.00	229	2253 - 0009 RT	261402LFB	54.00	1372	2253 - 0054 RT	261417LFB
12.00	305	2253 - 0012 RT	261403LFB	57.00	1448	2253 - 0057 RT	261418LFB
15.00	381	2253 - 0015 RT	261404LFB	60.00	1524	2253 - 0060 RT	261419LFB
18.00	457	2253 - 0018 RT	261405LFB	63.00	1600	2253 - 0063 RT	261420LFB
21.00	533	2253 - 0021 RT	261406LFB	66.00	1676	2253 - 0066 RT	261421LFB
24.00	610	2253 - 0024 RT	261407LFB	69.00	1753	2253 - 0069 RT	261422LFB
27.00	686	2253 - 0027 RT	261408LFB	72.00	1829	2253 - 0072 RT	261423LFB
30.00	762	2253 - 0030 RT	261409LFB	75.00	1905	2253 - 0075 RT	261424LFB
33.00	838	2253 - 0033 RT	261410LFB	78.00	1981	2253 - 0078 RT	261425LFB
36.00	914	2253 - 0036 RT	261411LFB	81.00	2057	2253 - 0081 RT	261426LFB
39.00	991	2253 - 0039 RT	261412LFB	84.00	2134	2253 - 0084 RT	261427LFB
42.00	1067	2253 - 0042 RT	261413LFB	87.00	2210	2253 - 0087 RT	261428LFB
45.00	1143	2253 - 0045 RT	261414LFB	90.00	2286	2253 - 0090 RT	261429LFB

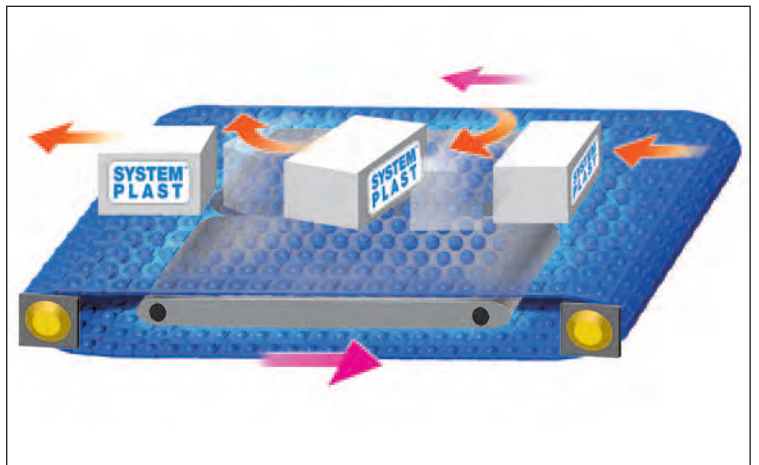
Double speed

When the belt is moving and the rollers are in contact with a fixed support area, the rollers will start rotating. This will result in movement of the product with a speed that is twice the speed of the belt. This function is very useful when products must be separated from each other. This function enables the belt to run at lower speed, and that improves belt life and reduces energy consumption.



Rotation with product moving

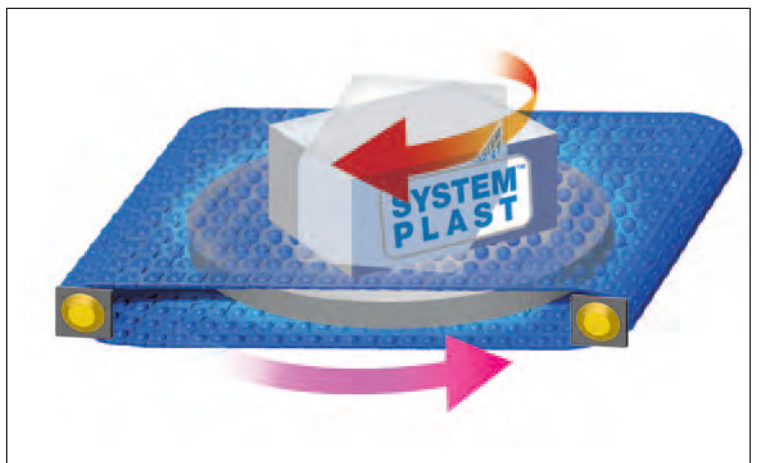
When two parallel running belts are positioned underneath the Roller Top belts, and running in different directions, containers in the middle of the belt will rotate. This condition is ideal for applications where product orientation is important, for example, the infeed to a palletizer. In this case, containers can be moving forward while rotating.



Rotation with product stopped

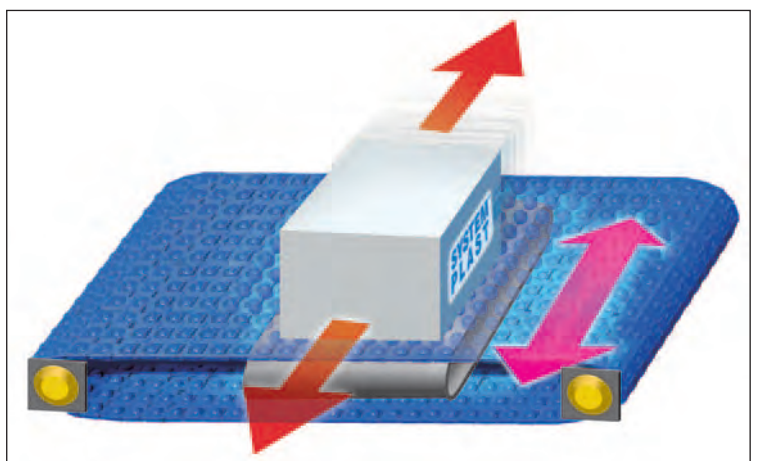
When using a rotating disc underneath the Roller Top belt, you can have optimum control of the rotation of the product.

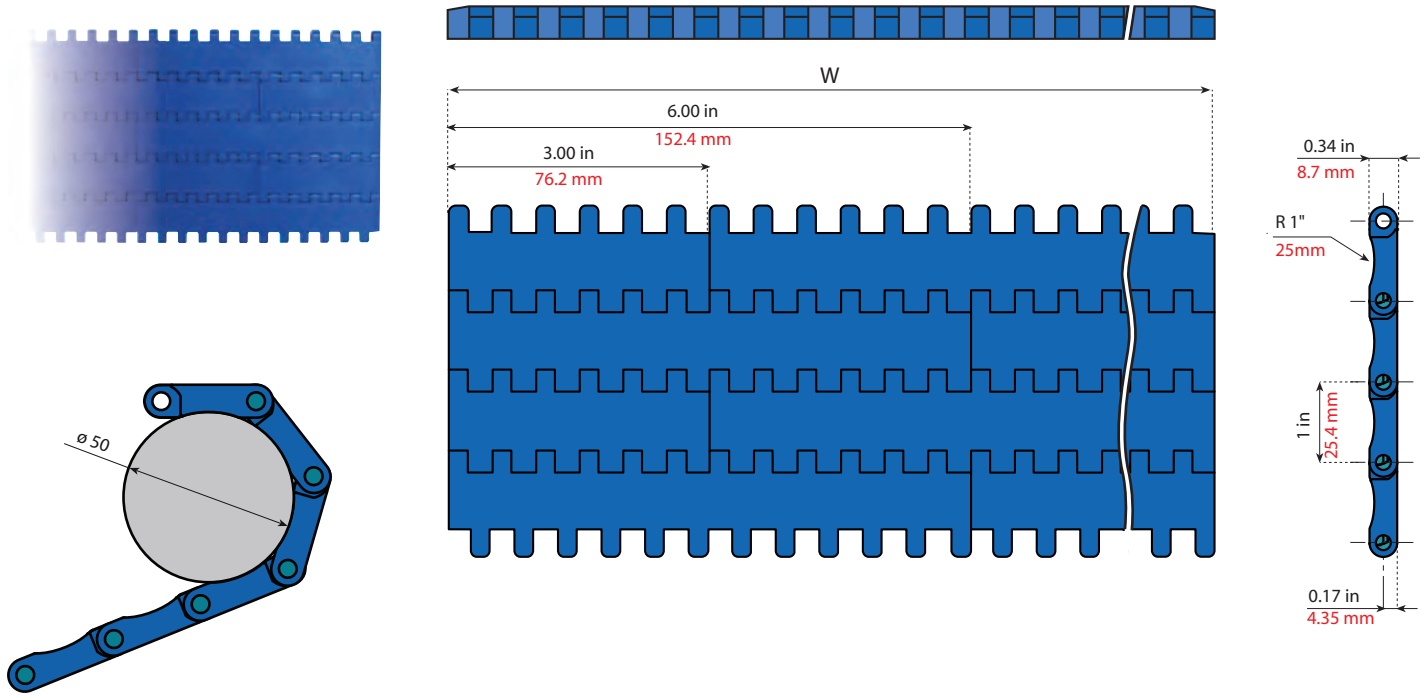
The Roller Top belt must be stopped during rotation.



Lateral movement

With a secondary activated belt positioned 90 degrees to the travel direction of the Roller Top belt, the system can transfer your package without external guides. This scenario is ideal for reject conveyors or any application requiring rapid 90 degree transfer of the conveyed item. Product positioning can also be achieved by this configuration.





Backflex radius: 40 mm - 1.575 inch.
Max load capacity: 25.000 N/m - 1.710 lbs/ft
Weight: 7.3 Kg/m² - 1.5 lb/ft²
Standard pin material: PBT (white)
Standard length:
 belt width ≤ 15 inch: 3.048m belt length
 belt width > 15 inch, but ≤ 66 inch: 1.524m belt length
 belt width > 66 inch: belt length on request

For BELTS AVAILABLE IN "NGG" material just add "NGG" to part number (example "code 26550-NGG")

On request and for adequate quantities these chains can be produced in:

LFG	NGG
Low Friction Acetal Resin	New Generation

Standard Material
LFB
Low Friction Acetal (standard material color Blue)



Width W		Belts Ref.	Code
inch	mm		
3.00	76	2253-0003 FT	26550LFB
6.00	152	2253-0006 FT	26551LFB
9.00	229	2253-0009 FT	26552LFB
12.00	305	2253-0012 FT	26553LFB
15.00	381	2253-0015 FT	26554LFB
18.00	457	2253-0018 FT	26555LFB
21.00	533	2253-0021 FT	26556LFB
24.00	610	2253-0024 FT	26557LFB
27.00	686	2253-0027 FT	26558LFB
30.00	762	2253-0030 FT	26559LFB

Width W		Belts Ref.	Code
inch	mm		
33.00	838	2253-0033 FT	26560LFB
36.00	914	2253-0036 FT	26561LFB
39.00	991	2253-0039 FT	26562LFB
42.00	1067	2253-0042 FT	26563LFB
45.00	1143	2253-0045 FT	26564LFB
48.00	1219	2253-0048 FT	26565LFB
51.00	1295	2253-0051 FT	26566LFB
54.00	1372	2253-0054 FT	26567LFB
57.00	1448	2253-0057 FT	26568LFB
60.00	1524	2253-0060 FT	26569LFB

Width W		Belts Ref.	Code
inch	mm		
63.00	1600	2253-0063 FT	26570LFB
66.00	1676	2253-0066 FT	26571LFB
69.00	1753	2253-0069 FT	26572LFB
72.00	1829	2253-0072 FT	26573LFB
75.00	1905	2253-0075 FT	26574LFB
78.00	1981	2253-0078 FT	26575LFB
81.00	2057	2253-0081 FT	26576LFB
84.00	2134	2253-0084 FT	26577LFB
87.00	2210	2253-0087 FT	26578LFB
90.00	2286	2253-0090 FT	26579LFB

Width W		Belts Ref.	Code
inch	mm		
93.00	2362	2253-0093 FT	26580LFB
96.00	2438	2253-0096 FT	26581LFB
99.00	2515	2253-0099 FT	26582LFB
102.00	2591	2253-0102 FT	26583LFB
105.00	2667	2253-0105 FT	26584LFB
108.00	2743	2253-0108 FT	26585LFB
111.00	2819	2253-0111 FT	26586LFB
114.00	2896	2253-0114 FT	26587LFB
117.00	2972	2253-0117 FT	26588LFB
120.00	3048	2253-0120 FT	26589LFB

PLASTIC MODULAR CONVEYOR BELT

Series

Pages

[2251 FT](#)

[150 → 159](#)

[2251 VG](#)

[163 → 168](#)

LBP belts with low noise accumulation rollers

[2251LBP](#)

[169 → 171](#)

[2252 FT](#)

[160 → 161](#)

[2252 PT](#)

[162](#)

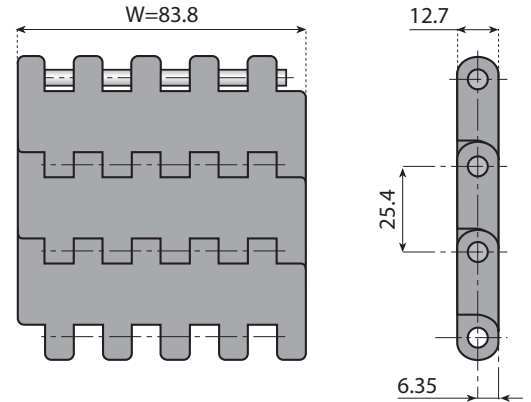
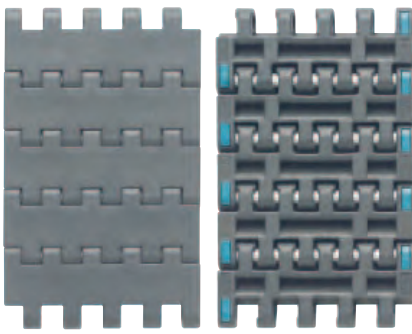
All our straight running belts of the 2251 and 2252 series have a pitch of 25.4 mm (1 inch) and a height of 12.7 mm (½ inch).

BENEFITS AND FEATURES

- EASY INSTALLATION AND MAINTENANCE
- HIGH MECHANICAL STRENGTH AND WEAR RESISTANCE
- NO GAPS BETWEEN PARALLEL CHAINS
- EXCELLENT PRODUCT HANDLING
- INSTALLATION ON STANDARD CONVEYORS WITH 85 mm PITCH BETWEEN TRACKS (2251 SERIES)
- HIGH PERFORMANCE

2251 K330

FLAT TOP BELTS ONE TRACK



Version standard
Pin material: PBT (white)

Standard materials

LFG	NGG
Low Friction Acetal Resin	New Generation



Pages 4⇒7



Pages 321⇒323

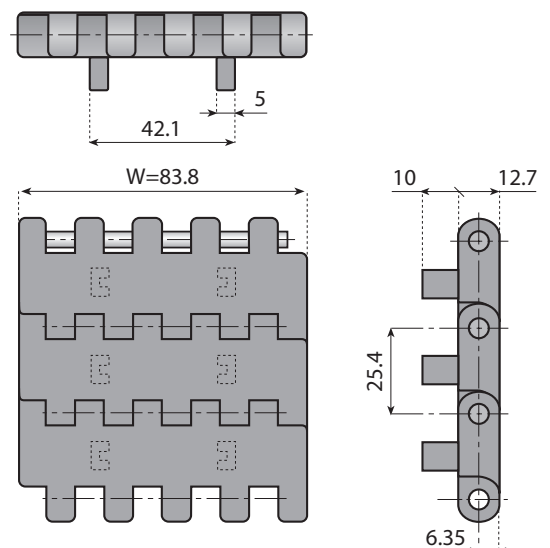
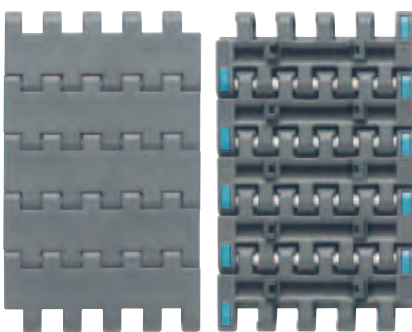


Pages 340⇒343

Belts - Ref.	Code	Material	Width W		Pitch P		Backflex radius mm	Max load capacity N	Weight Kg/m ²
			mm	inch	mm	inch			
LFG 2251 K330 FT	25020	LFG Dark Grey	83.8	3.30	25.4	1.00	25	3184	14.00
NGG 2251 K330 FT	25020NGG	NGG Light Grey							

2251 K330 FTP2

FLAT TOP BELTS ONE TRACK



Version with two positioners
Pin material: PBT (white)

Standard materials

LFG	NGG
Low Friction Acetal Resin	New Generation



Pages 4⇒7



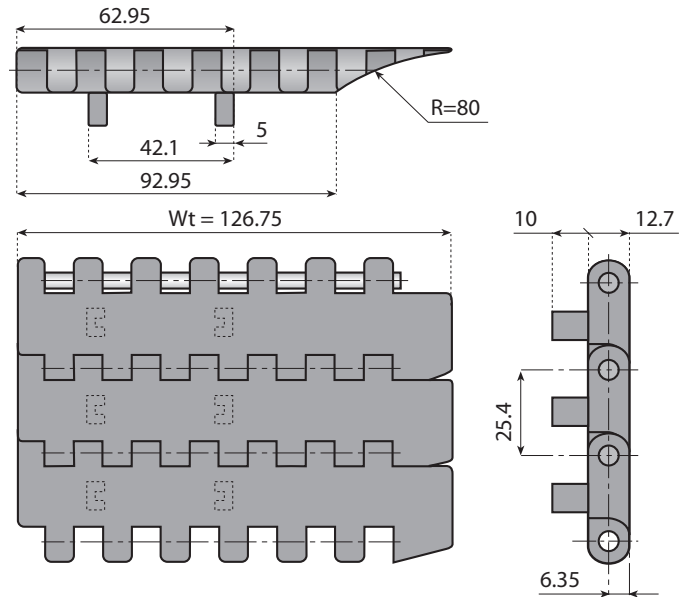
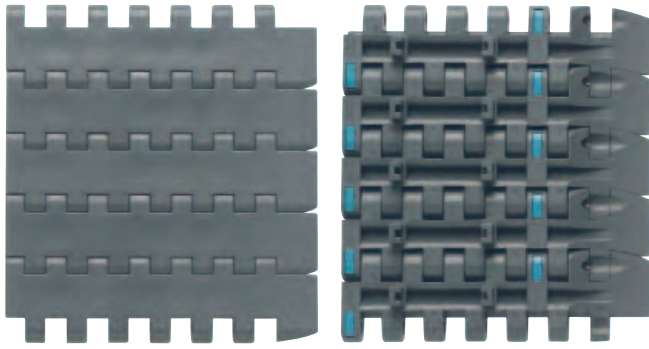
Pages 321⇒323



Pages 340⇒343

Belts - Ref.	Code	Material	Width W		Pitch P		Backflex radius mm	Max load capacity N	Weight Kg/m ²
			mm	inch	mm	inch			
LFG 2251 K330 FTP2	25021	LFG Dark Grey	83.8	3.30	25.4	1.00	25	3184	14.10
NGG 2251 K330 FTP2	25021NGG	NGG Light Grey							

Standard length: 120 pitches (10 ft. - 3.048 m)



Version with two positioners and integrated active transfer wing
Pin material: PBT (white)

Standard materials

LFG	NGG
Low Friction Acetal Resin	New Generation



Pages
4⇒7



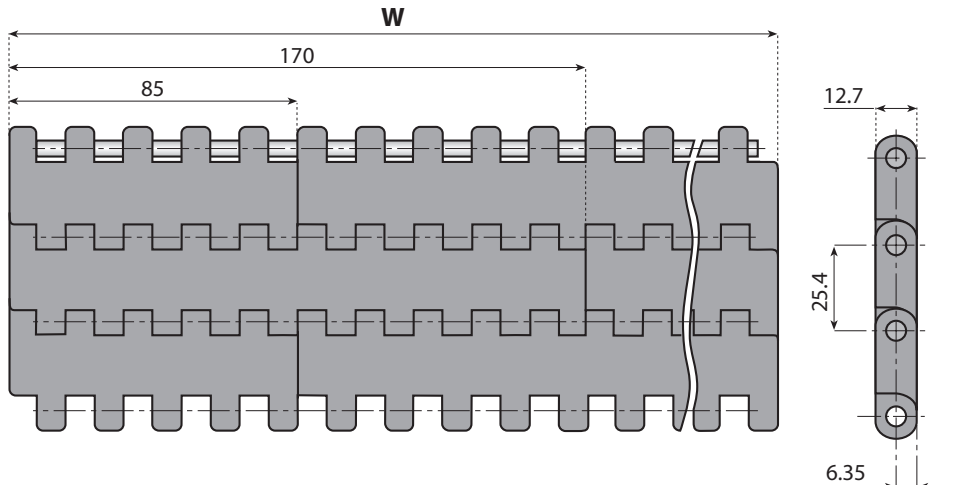
Pages
321⇒323



Pages
340⇒343

Belts - Ref.	Code	Material	Width W		Pitch P		Backflex radius mm	Max load capacity N	Weight Kg/m ²
			mm	inch	mm	inch			
LFG 2251 K330 FTTP2	25022	LFG Dark Grey	83.8	3.30	25.4	1.00	30	3184	14.20
NGG 2251 K330 FTTP2	25022NGG	NGG Light Grey							

Standard length: 120 pitches (10 ft. - 3.048 m)



Version standard

Backflex radius: 25 mm

Max load capacity: 38.000 N/m

Weight: 12.5 Kg/m²

Pin material: PBT (white)

Standard length:

belt width ≤ 0.340mm: 3.048m belt length

belt width > 0.340mm, but ≤ 0.935mm: 1.524m belt length

belt width > 0.935mm: belt length on request

Standard materials

LFG	NGG
Low Friction Acetal Resin	New Generation



Pages 4⇒7



Pages 321⇒323

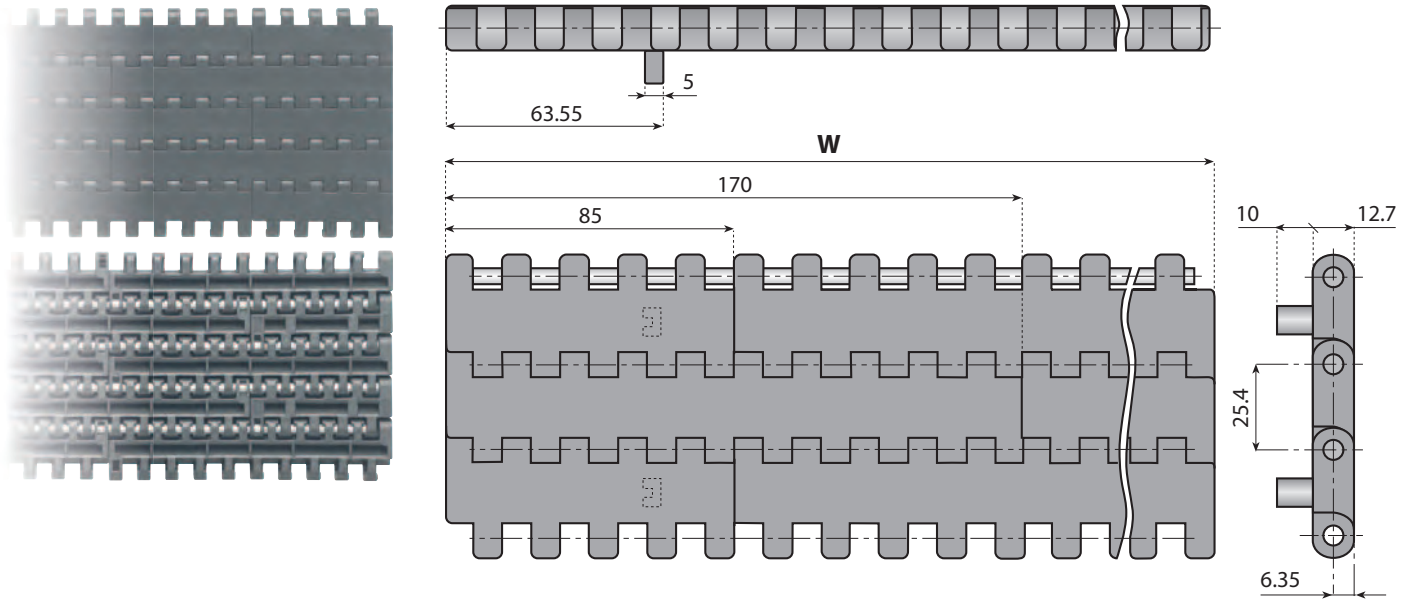


Pages 340⇒343

FOR BELTS AVAILABLE IN "NGG" MATERIAL JUST ADD "NGG" TO PART NUMBER (EXAMPLE "CODE 251000-NGG")

Width W mm	Belts Ref.	Code	Width W mm	Belts Ref.	Code	Width W mm	Belts Ref.	Code	Width W mm	Belts Ref.	Code
85	2251-0085 FT	251000	935	2251-0935 FT	251010	1785	2251-1785 FT	251020	2635	2251-2635 FT	251030
170	2251-0170 FT	251001	1020	2251-1020 FT	251011	1870	2251-1870 FT	251021	2720	2251-2720 FT	251031
255	2251-0255 FT	251002	1105	2251-1105 FT	251012	1955	2251-1955 FT	251022	2805	2251-2805 FT	251032
340	2251-0340 FT	251003	1190	2251-1190 FT	251013	2040	2251-2040 FT	251023	2890	2251-2890 FT	251033
425	2251-0425 FT	251004	1275	2251-1275 FT	251014	2125	2251-2125 FT	251024	2975	2251-2975 FT	251034
510	2251-0510 FT	251005	1360	2251-1360 FT	251015	2210	2251-2210 FT	251025	3060	2251-3060 FT	251035
595	2251-0595 FT	251006	1445	2251-1445 FT	251016	2295	2251-2295 FT	251026	3145	2251-3145 FT	251036
680	2251-0680 FT	251007	1530	2251-1530 FT	251017	2380	2251-2380 FT	251027	3230	2251-3230 FT	251037
765	2251-0765 FT	251008	1615	2251-1615 FT	251018	2465	2251-2465 FT	251028	3315	2251-3315 FT	251038
850	2251-0850 FT	251009	1700	2251-1700 FT	251019	2550	2251-2550 FT	251029	3400	2251-3400 FT	251039

Other widths available on request.



Version with one positioner

Backflex radius: 25 mm

Max load capacity: 38.000 N/m

Weight: 12.5 Kg/m²

Pin material: PBT (white)

Standard length:

belt width ≤ 0.340mm: 3.048m belt length

belt width > 0.340mm, but ≤ 0.935mm: 1.524m belt length

belt width > 0.935mm: belt length on request

Standard materials

LFG	NGG
Low Friction Acetal Resin	New Generation



Pages 4→7



Pages 321→323

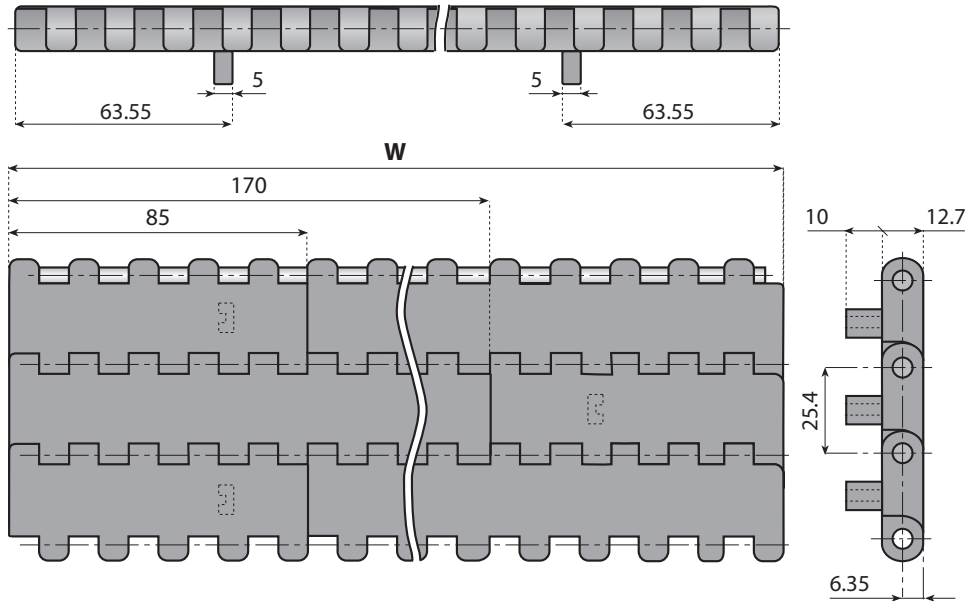
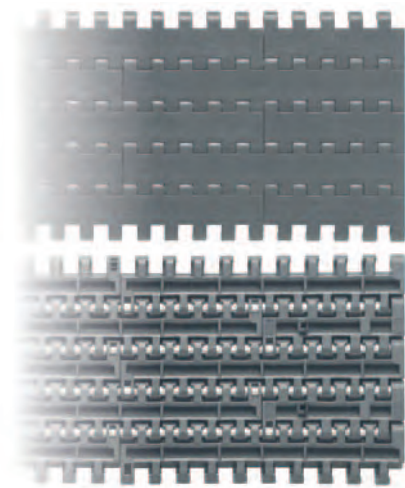


Pages 340→343

FOR BELTS AVAILABLE IN "NGG" MATERIAL JUST ADD "NGG" TO PART NUMBER (EXAMPLE "CODE 251100-NGG")

Width W mm	Belts Ref.	Code	Width W mm	Belts Ref.	Code	Width W mm	Belts Ref.	Code	Width W mm	Belts Ref.	Code
85	2251-0085 FTP1	251100	935	2251-0935 FTP1	251110	1785	2251-1785 FTP1	251120	2635	2251-2635 FTP1	251130
170	2251-0170 FTP1	251101	1020	2251-1020 FTP1	251111	1870	2251-1870 FTP1	251121	2720	2251-2720 FTP1	251131
255	2251-0255 FTP1	251102	1105	2251-1105 FTP1	251112	1955	2251-1955 FTP1	251122	2805	2251-2805 FTP1	251132
340	2251-0340 FTP1	251103	1190	2251-1190 FTP1	251113	2040	2251-2040 FTP1	251123	2890	2251-2890 FTP1	251133
425	2251-0425 FTP1	251104	1275	2251-1275 FTP1	251114	2125	2251-2125 FTP1	251124	2975	2251-2975 FTP1	251134
510	2251-0510 FTP1	251105	1360	2251-1360 FTP1	251115	2210	2251-2210 FTP1	251125	3060	2251-3060 FTP1	251135
595	2251-0595 FTP1	251106	1445	2251-1445 FTP1	251116	2295	2251-2295 FTP1	251126	3145	2251-3145 FTP1	251136
680	2251-0680 FTP1	251107	1530	2251-1530 FTP1	251117	2380	2251-2380 FTP1	251127	3230	2251-3230 FTP1	251137
765	2251-0765 FTP1	251108	1615	2251-1615 FTP1	251118	2465	2251-2465 FTP1	251128	3315	2251-3315 FTP1	251138
850	2251-0850 FTP1	251109	1700	2251-1700 FTP1	251119	2550	2251-2550 FTP1	251129	3400	2251-3400 FTP1	251139

Other widths available on request.



Version with one positioner on both sides

Backflex radius: 25 mm

Max load capacity: 38.000 N/m

Weight: 12.5 Kg/m²

Pin material: PBT (white)

Standard length:

belt width ≤ 0.340mm: 3.048m belt length

belt width > 0.340mm, but ≤ 0.935mm: 1.524m belt length

belt width > 0.935mm: belt length on request

Standard materials

LFG	NGG
Low Friction Acetal Resin	New Generation



Pages
4⇌7



Pages
321⇌323

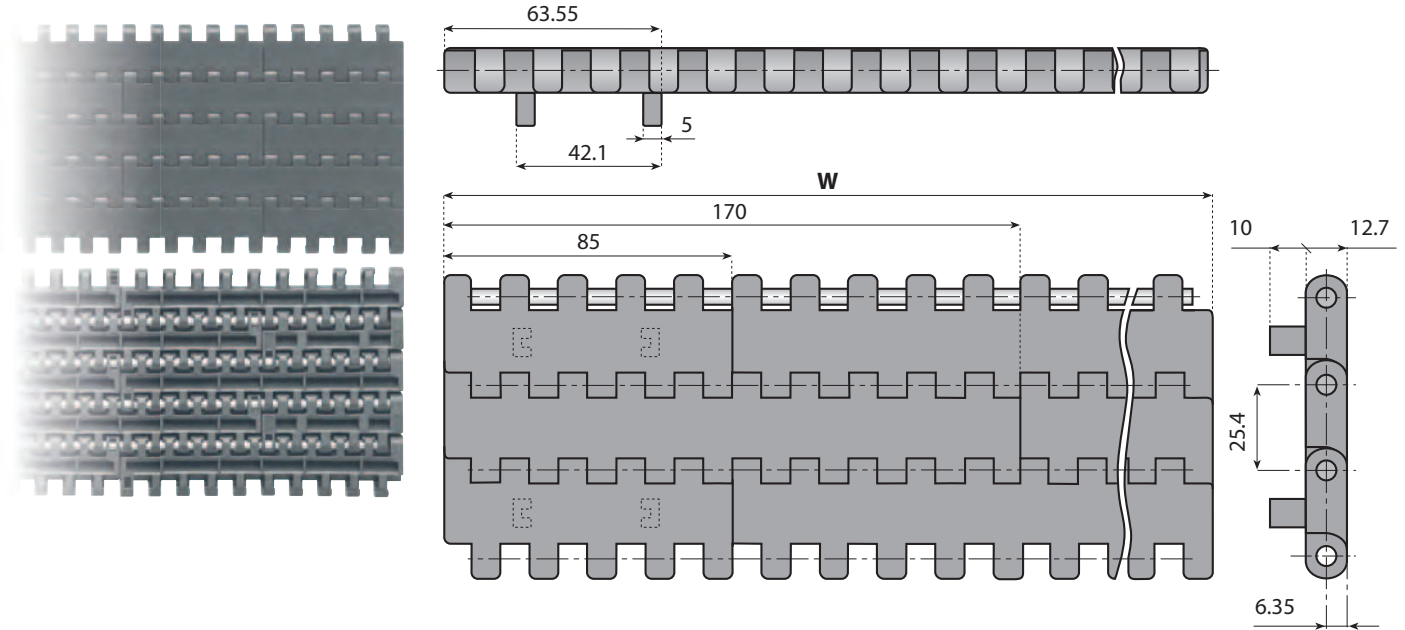


Pages
340⇌343

FOR BELTS AVAILABLE IN "NGG" MATERIAL JUST ADD "NGG" TO PART NUMBER (EXAMPLE "CODE 253201-NGG")

Width W mm	Belts Ref.	Code	Width W mm	Belts Ref.	Code	Width W mm	Belts Ref.	Code	Width W mm	Belts Ref.	Code
85	-	-	935	2251-0935 FTP2B	253210	1785	2251-1785 FTP2B	253220	2635	2251-2635 FTP2B	253230
170	2251-0170 FTP2B	253201	1020	2251-1020 FTP2B	253211	1870	2251-1870 FTP2B	253221	2720	2251-2720 FTP2B	253231
255	2251-0255 FTP2B	253202	1105	2251-1105 FTP2B	253212	1955	2251-1955 FTP2B	253222	2805	2251-2805 FTP2B	253232
340	2251-0340 FTP2B	253203	1190	2251-1190 FTP2B	253213	2040	2251-2040 FTP2B	253223	2890	2251-2890 FTP2B	253233
425	2251-0425 FTP2B	253204	1275	2251-1275 FTP2B	253214	2125	2251-2125 FTP2B	253224	2975	2251-2975 FTP2B	253234
510	2251-0510 FTP2B	253205	1360	2251-1360 FTP2B	253215	2210	2251-2210 FTP2B	253225	3060	2251-3060 FTP2B	253235
595	2251-0595 FTP2B	253206	1445	2251-1445 FTP2B	253216	2295	2251-2295 FTP2B	253226	3145	2251-3145 FTP2B	253236
680	2251-0680 FTP2B	253207	1530	2251-1530 FTP2B	253217	2380	2251-2380 FTP2B	253227	3230	2251-3230 FTP2B	253237
765	2251-0765 FTP2B	253208	1615	2251-1615 FTP2B	253218	2465	2251-2465 FTP2B	253228	3315	2251-3315 FTP2B	253238
850	2251-0850 FTP2B	253209	1700	2251-1700 FTP2B	253219	2550	2251-2550 FTP2B	253229	3400	2251-3400 FTP2B	253239

Other widths available on request.



Standard length:

belt width ≤ 0.340mm: 3.048m belt length
 belt width ≥ 0.340mm, but ≤0.935mm: 1.524m belt length
 belt width ≥ 1.935: belt length on request

Version with two positioners

Backflex radius: 25 mm
Max load capacity: 38.000 N/m
Weight: 12.5 Kg/m²
Pin material: PBT (white)

Standard length:

belt width ≤ 0.340mm: 3.048m belt length
 belt width > 0.340mm, but ≤0.935mm: 1.524m belt length
 belt width > 0.935mm: belt length on request

Standard materials

LFG	NGG
Low Friction Acetal Resin	New Generation



Pages 4→7



Pages 321→323

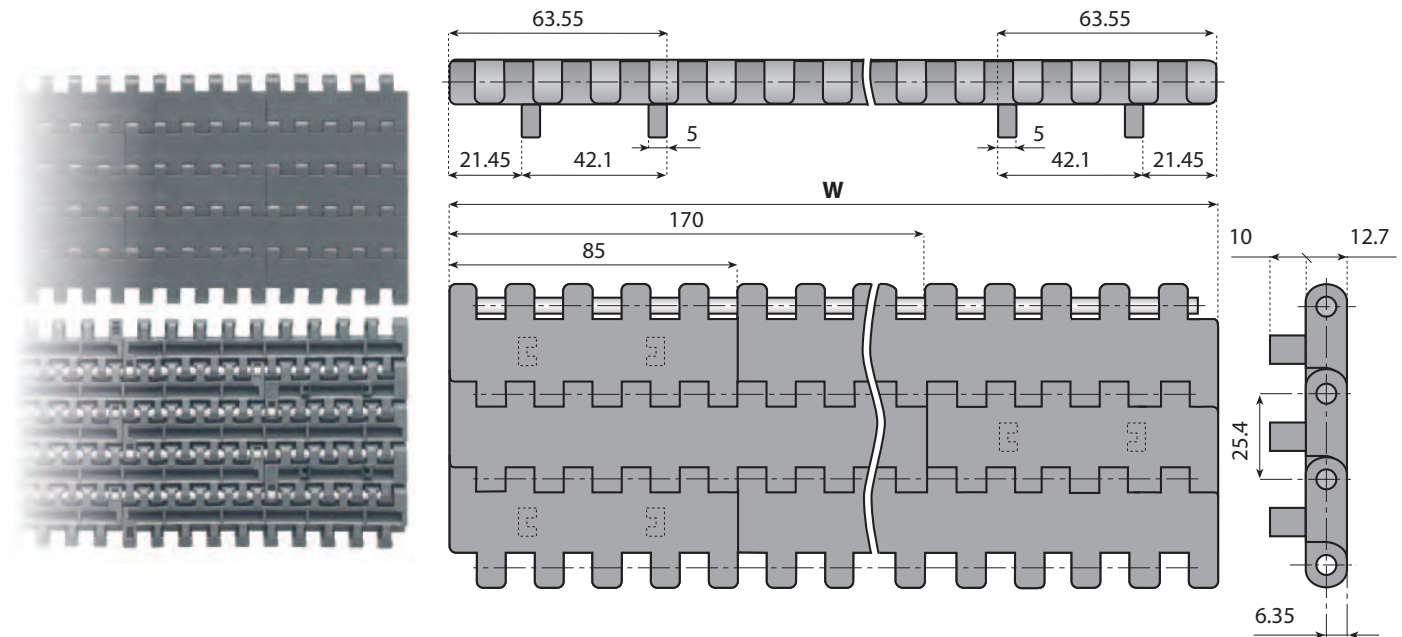


Pages 340→343

FOR BELTS AVAILABLE IN "NGG" MATERIAL JUST ADD "NGG" TO PART NUMBER (EXAMPLE "CODE 251200-NGG")

Width W mm	Belts Ref.	Code	Width W mm	Belts Ref.	Code	Width W mm	Belts Ref.	Code	Width W mm	Belts Ref.	Code
85	2251-0085 FTP2	251200	935	2251-0935 FTP2	251210	1785	2251-1785 FTP2	251220	2635	2251-2635 FTP2	251230
170	2251-0170 FTP2	251201	1020	2251-1020 FTP2	251211	1870	2251-1870 FTP2	251221	2720	2251-2720 FTP2	251231
255	2251-0255 FTP2	251202	1105	2251-1105 FTP2	251212	1955	2251-1955 FTP2	251222	2805	2251-2805 FTP2	251232
340	2251-0340 FTP2	251203	1190	2251-1190 FTP2	251213	2040	2251-2040 FTP2	251223	2890	2251-2890 FTP2	251233
425	2251-0425 FTP2	251204	1275	2251-1275 FTP2	251214	2125	2251-2125 FTP2	251224	2975	2251-2975 FTP2	251234
510	2251-0510 FTP2	251205	1360	2251-1360 FTP2	251215	2210	2251-2210 FTP2	251225	3060	2251-3060 FTP2	251235
595	2251-0595 FTP2	251206	1445	2251-1445 FTP2	251216	2295	2251-2295 FTP2	251226	3145	2251-3145 FTP2	251236
680	2251-0680 FTP2	251207	1530	2251-1530 FTP2	251217	2380	2251-2380 FTP2	251227	3230	2251-3230 FTP2	251237
765	2251-0765 FTP2	251208	1615	2251-1615 FTP2	251218	2465	2251-2465 FTP2	251228	3315	2251-3315 FTP2	251238
850	2251-0850 FTP2	251209	1700	2251-1700 FTP2	251219	2550	2251-2550 FTP2	251229	3400	2251-3400 FTP2	251239

Other widths available on request.



Version with two positioners on both sides

Backflex radius: 25 mm

Max load capacity: 38.000 N/m

Weight: 12.5 Kg/m²

Pin material: PBT (white)

Standard length:

belt width ≤ 0.340mm: 3.048m belt length

belt width > 0.340mm, but ≤ 0.935mm: 1.524m belt length

belt width > 0.935mm: belt length on request

Standard materials

LFG	NGG
Low Friction Acetal Resin	New Generation



Pages
4⇒7



Pages
321⇒323

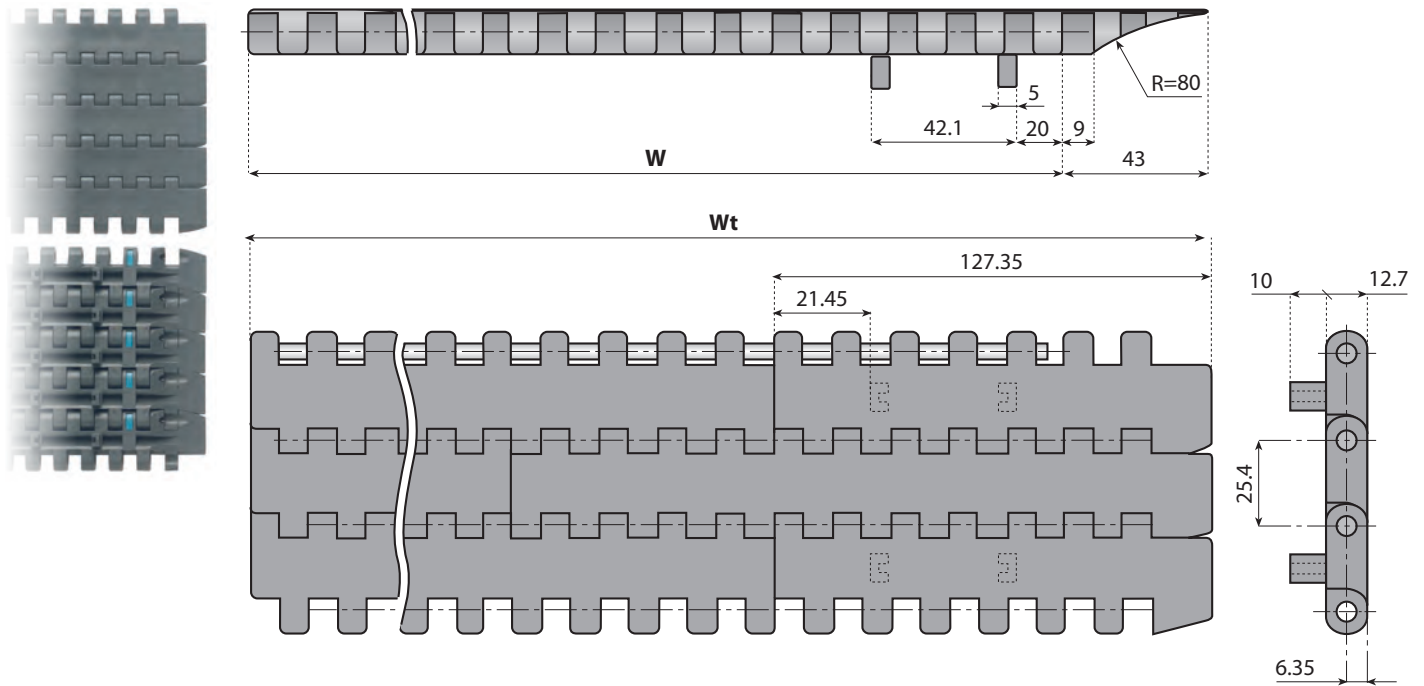


Pages
340⇒343

FOR BELTS AVAILABLE IN "NGG" MATERIAL JUST ADD "NGG" TO PART NUMBER (EXAMPLE "CODE 253301-NGG")

Width W mm	Belts Ref.	Code	Width W mm	Belts Ref.	Code	Width W mm	Belts Ref.	Code	Width W mm	Belts Ref.	Code
85	-	-	935	2251-0935 FTP2BD	253310	1785	2251-1785 FTP2BD	253320	2635	2251-2635 FTP2BD	253330
170	2251-0170 FTP2BD	253301	1020	2251-1020 FTP2BD	253311	1870	2251-1870 FTP2BD	253321	2720	2251-2720 FTP2BD	253331
255	2251-0255 FTP2BD	253302	1105	2251-1105 FTP2BD	253312	1955	2251-1955 FTP2BD	253322	2805	2251-2805 FTP2BD	253332
340	2251-0340 FTP2BD	253303	1190	2251-1190 FTP2BD	253313	2040	2251-2040 FTP2BD	253323	2890	2251-2890 FTP2BD	253333
425	2251-0425 FTP2BD	253304	1275	2251-1275 FTP2BD	253314	2125	2251-2125 FTP2BD	253324	2975	2251-2975 FTP2BD	253334
510	2251-0510 FTP2BD	253305	1360	2251-1360 FTP2BD	253315	2210	2251-2210 FTP2BD	253325	3060	2251-3060 FTP2BD	253335
595	2251-0595 FTP2BD	253306	1445	2251-1445 FTP2BD	253316	2295	2251-2295 FTP2BD	253326	3145	2251-3145 FTP2BD	253336
680	2251-0680 FTP2BD	253307	1530	2251-1530 FTP2BD	253317	2380	2251-2380 FTP2BD	253327	3230	2251-3230 FTP2BD	253337
765	2251-0765 FTP2BD	253308	1615	2251-1615 FTP2BD	253318	2465	2251-2465 FTP2BD	253328	3315	2251-3315 FTP2BD	253338
850	2251-0850 FTP2BD	253309	1700	2251-1700 FTP2BD	253319	2550	2251-2550 FTP2BD	253329	3400	2251-3400 FTP2BD	253339

Other widths available on request.



Version with two positioners and integrated active transfer wing

Backflex radius: 30 mm

Max load capacity: 38.000 N/m

Weight: 12.5 Kg/m²

Pin material: PBT (white)

Standard length:

belt width ≤ 0.340mm: 3.048m belt length

belt width > 0.340mm, but ≤ 0.935mm: 1.524m belt length

belt width > 0.935mm: belt length on request

Standard materials

LFG	NGG
Low Friction Acetal Resin	New Generation



Pages 4⇌7



Pages 321⇌323



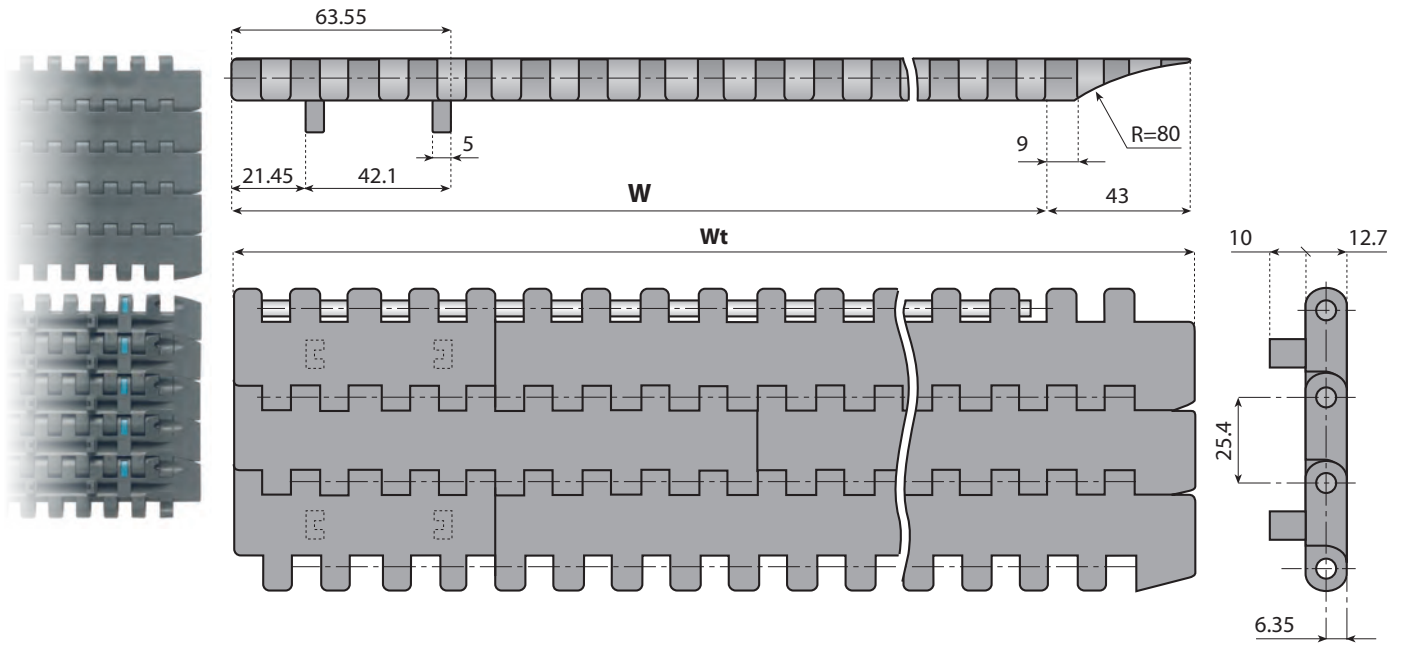
Pages 340⇌343

FOR BELTS AVAILABLE IN "NGG" MATERIAL JUST ADD "NGG" TO PART NUMBER (EXAMPLE "CODE 251300-NGG")

Width W mm	Belts Ref.	Code	Width W mm	Belts Ref.	Code	Width W mm	Belts Ref.	Code	Width W mm	Belts Ref.	Code
85	2251-0085 FFTP2	251300	935	2251-0935 FFTP2	251310	1785	2251-1785 FFTP2	251320	2635	2251-2635 FFTP2	251330
170	2251-0170 FFTP2	251301	1020	2251-1020 FFTP2	251311	1870	2251-1870 FFTP2	251321	2720	2251-2720 FFTP2	251331
255	2251-0255 FFTP2	251302	1105	2251-1105 FFTP2	251312	1955	2251-1955 FFTP2	251322	2805	2251-2805 FFTP2	251332
340	2251-0340 FFTP2	251303	1190	2251-1190 FFTP2	251313	2040	2251-2040 FFTP2	251323	2890	2251-2890 FFTP2	251333
425	2251-0425 FFTP2	251304	1275	2251-1275 FFTP2	251314	2125	2251-2125 FFTP2	251324	2975	2251-2975 FFTP2	251334
510	2251-0510 FFTP2	251305	1360	2251-1360 FFTP2	251315	2210	2251-2210 FFTP2	251325	3060	2251-3060 FFTP2	251335
595	2251-0595 FFTP2	251306	1445	2251-1445 FFTP2	251316	2295	2251-2295 FFTP2	251326	3145	2251-3145 FFTP2	251336
680	2251-0680 FFTP2	251307	1530	2251-1530 FFTP2	251317	2380	2251-2380 FFTP2	251327	3230	2251-3230 FFTP2	251337
765	2251-0765 FFTP2	251308	1615	2251-1615 FFTP2	251318	2465	2251-2465 FFTP2	251328	3315	2251-3315 FFTP2	251338
850	2251-0850 FFTP2	251309	1700	2251-1700 FFTP2	251319	2550	2251-2550 FFTP2	251329	3400	2251-3400 FFTP2	251339

Other widths available on request.

2251 FTTP2-SX FLAT TOP BELTS WITH TRANSFER WING (Pitch 1" - 25.4 mm)



Version with two positioners and integrated active transfer wing

Backflex radius: 30 mm

Max load capacity: 38.000 N/m

Weight: 12.5 Kg/m²

Pin material: PBT (white)

Standard length:

belt width ≤ 0.340mm: 3.048m belt length

belt width > 0.340mm, but ≤ 0.935mm: 1.524m belt length

belt width > 0.935mm: belt length on request

Standard materials

LFG	NGG
Low Friction Acetal Resin	New Generation



Pages 4⇒7



Pages 321⇒323



Pages 340⇒343

FOR BELTS AVAILABLE IN "NGG" MATERIAL JUST ADD "NGG" TO PART NUMBER (EXAMPLE "CODE 251301SX-NGG")

Width W mm	Belts Ref.	Code	Width W mm	Belts Ref.	Code	Width W mm	Belts Ref.	Code	Width W mm	Belts Ref.	Code
85	2251-0085-FTTP2	251300	935	2251-0935-FTTP2-SX	251310SX	1785	2251-1785-FTTP2-SX	251320SX	2635	2251-2635-FTTP2-SX	251330SX
170	2251-0170-FTTP2-SX	251301SX	1020	2251-1020-FTTP2-SX	251311SX	1870	2251-1870-FTTP2-SX	251321SX	2720	2251-2720-FTTP2-SX	251331SX
255	2251-0255-FTTP2-SX	251302SX	1105	2251-1105-FTTP2-SX	251312SX	1955	2251-1955-FTTP2-SX	251322SX	2805	2251-2805-FTTP2-SX	251332SX
340	2251-0340-FTTP2-SX	251303SX	1190	2251-1190-FTTP2-SX	251313SX	2040	2251-2040-FTTP2-SX	251323SX	2890	2251-2890-FTTP2-SX	251333SX
425	2251-0425-FTTP2-SX	251304SX	1275	2251-1275-FTTP2-SX	251314SX	2125	2251-2125-FTTP2-SX	251324SX	2975	2251-2975-FTTP2-SX	251334SX
510	2251-0510-FTTP2-SX	251305SX	1360	2251-1360-FTTP2-SX	251315SX	2210	2251-2210-FTTP2-SX	251325SX	3060	2251-3060-FTTP2-SX	251335SX
595	2251-0595-FTTP2-SX	251306SX	1445	2251-1445-FTTP2-SX	251316SX	2295	2251-2295-FTTP2-SX	251326SX	3145	2251-3145-FTTP2-SX	251336SX
680	2251-0680-FTTP2-SX	251307SX	1530	2251-1530-FTTP2-SX	251317SX	2380	2251-2380-FTTP2-SX	251327SX	3230	2251-3230-FTTP2-SX	251337SX
765	2251-0765-FTTP2-SX	251308SX	1615	2251-1615-FTTP2-SX	251318SX	2465	2251-2465-FTTP2-SX	251328SX	3315	2251-3315-FTTP2-SX	251338SX
850	2251-0850-FTTP2-SX	251309SX	1700	2251-1700-FTTP2-SX	251319SX	2550	2251-2550-FTTP2-SX	251329SX	3400	2251-3400-FTTP2-SX	251339SX

Other widths available on request.

FLAT TOP BELTS (Pitch 1" - 25.4 mm) VERSION WITH LONG TRANSFER WING

2251 FTTLP2

Version with two positioners and long integrated active transfer wing

Backflex radius: 30 mm

Max load capacity: 38.000 N/m

Weight: 12.5 Kg/m²

Pin material: PBT (white)

Standard length:

belt width ≤ 0.340m: 3.048m belt length

belt width > 0.340m, but ≤ 0.935m: 1.524m belt length

belt width > 0.935: belt length on request

**FOR BELTS AVAILABLE IN "NGG" MATERIAL
JUST ADD "NGG" TO PART NUMBER
(EXAMPLE "CODE 251301L-NGG")**

Standard materials

LFG	NGG
Low Friction Acetal Resin	New Generation



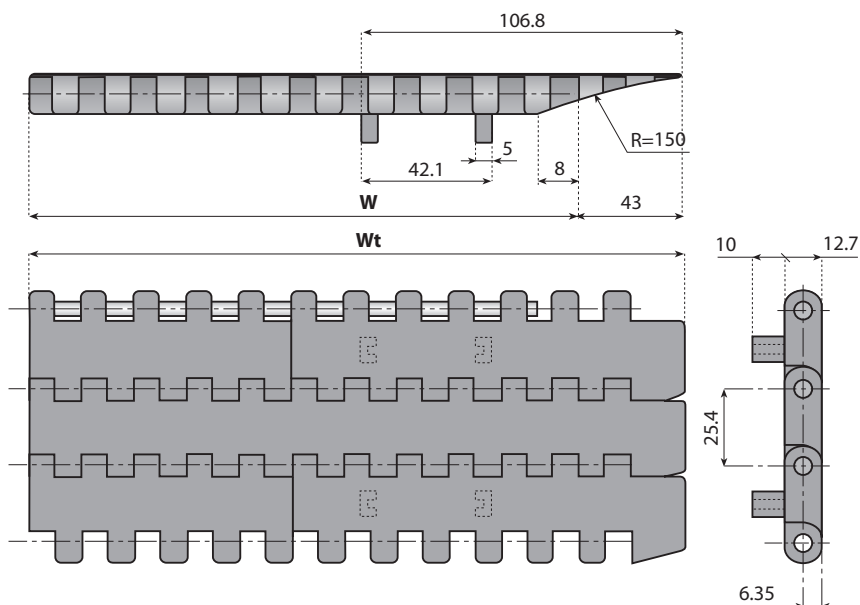
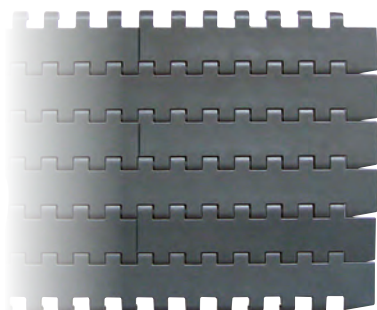
Pages
4⇨7



Pages
321⇨323

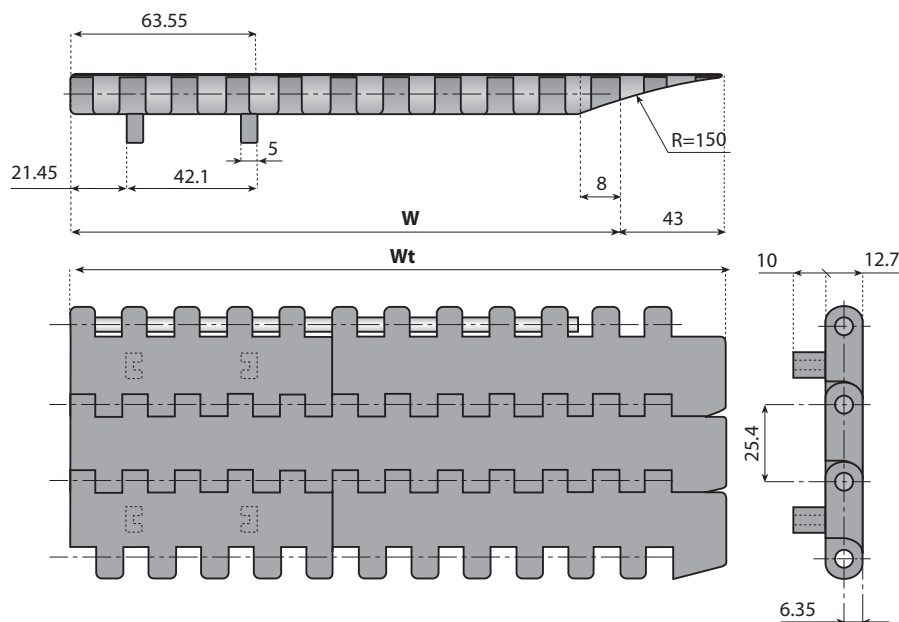
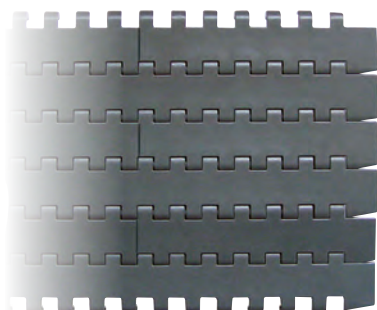


Pages
340⇨343



Width W mm	Belts Ref.	Code
85	2251-0085 FTTLP2	251300L
170	2251-0170 FTTLP2	251301L

Other widths available on request.

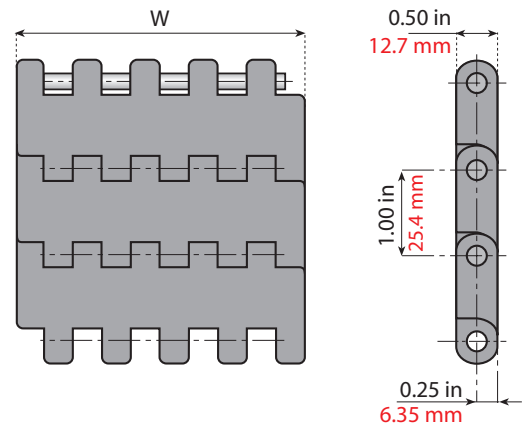
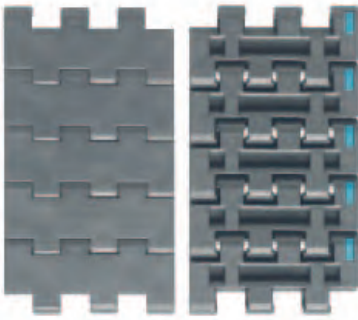


Width W mm	Belts Ref.	Code
170	2251-0170 FTTLP2-SX	251301SXL

Other widths available on request.

2252 FT

FLAT TOP IMPERIAL SIZE BELTS ONE TRACK DEDICATED WIDTHS (Pitch 1" - 25.4 mm)



Dedicated widths

Pin material: PBT (white)

Standard materials

LFG	NGG
Low Friction Acetal Resin	New Generation



Pages 4⇒7



Pages 321⇒323

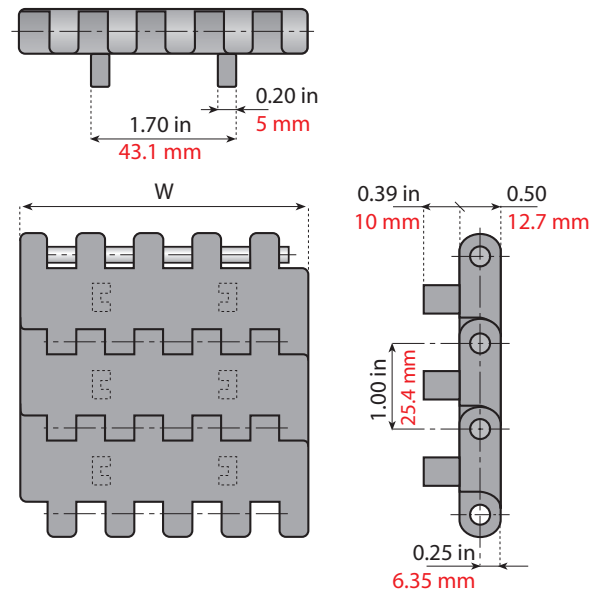
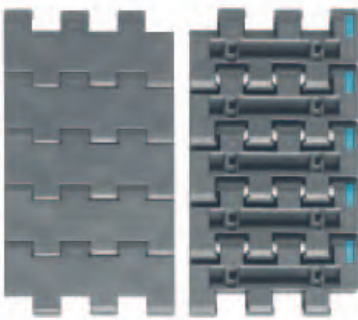


Pages 340⇒343

Belts - Ref.	Code	Material	Width W		Pitch P		Backflex radius mm		Max load capacity		Weight	
			mm	inch	mm	inch	mm	inch	N	lbs	Kg/m ²	lbs/ft ²
LFG 2252 K300 FT	26000	LFG Dark Grey	76.2	3.00	25.4	1.00	25.4	1.00	2896	651	14.0	2.87
LFG 2252 K325 FT	26001		82.6	3.25					3139	705		
LFG 2252 K450 FT	26002		114.3	4.50					4343	976		
LFG 2252 K600 FT	26003		152.4	6.00					5791	1302		
LFG 2252 K750 FT	26004		190.5	7.50					7239	1627		

2252 FTP2

FLAT TOP IMPERIAL SIZE BELTS ONE TRACK DEDICATED WIDTHS (Pitch 1" - 25.4 mm)



Version with two positioners

Pin material: PBT (white)

Standard materials

LFG	NGG
Low Friction Acetal Resin	New Generation



Pages 4⇒7



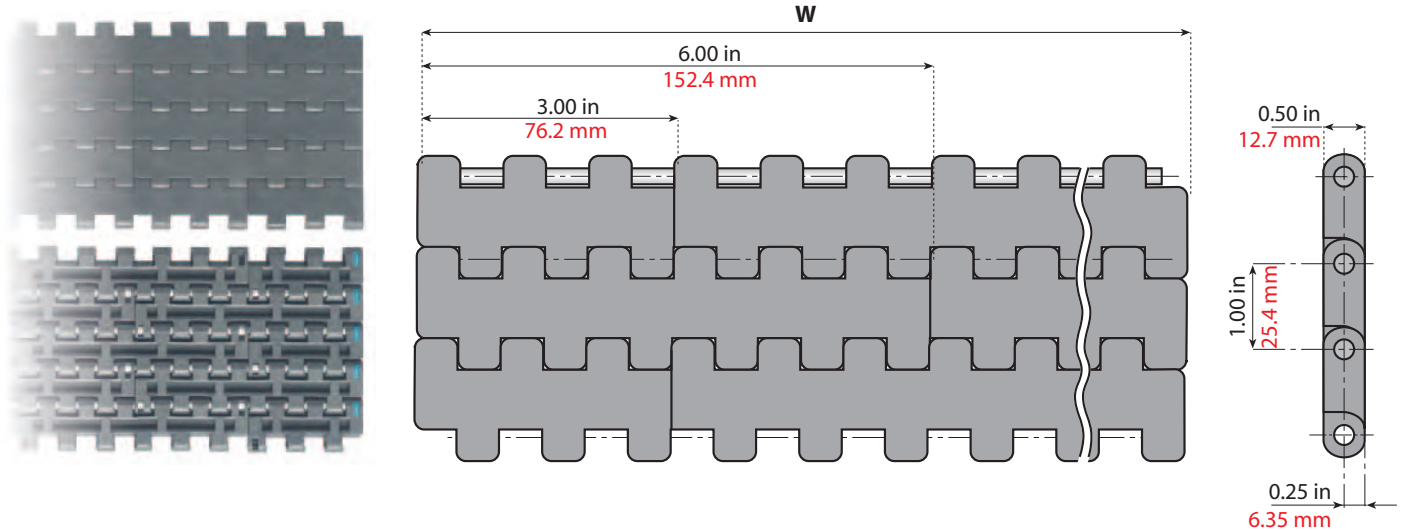
Pages 321⇒323



Pages 340⇒343

Belts - Ref.	Code	Material	Width W		Pitch P		Backflex radius mm		Max load capacity		Weight	
			mm	inch	mm	inch	mm	inch	N/m	lbs/ft	Kg/m ²	lbs/ft ²
LFG 2252 K300 FTP2	26010	LFG Dark Grey	76.2	3.00	25.4	1.00	25.4	1.00	38.000	2604	14.1	2.89
LFG 2252 K325 FTP2	26011		82.6	3.25								
LFG 2252 K450 FTP2	26012		114.3	4.50								
LFG 2252 K600 FTP2	26013		152.4	6.00								
LFG 2252 K750 FTP2	26014		190.5	7.50								

Standard length: 120 pitches (10 ft. - 3.048 m)



Version standard

Backflex radius: 1 inch, 25.4 mm

Max load capacity: 2604 lbs/ft, 38.000 N/m

Weight: 12.9 Kg/m², 2.6 lbs/ft²

Pin material: PBT (white)

Standard length:

belt width ≤ 15 inch: 3.048m belt length

belt width > 15 inch, but ≤ 36 inch: 1.524m belt length

belt width > 36 inch: belt length on request

Standard materials

LFG	NGG
Low Friction Acetal Resin	New Generation



Pages 4→7



Pages 321→323

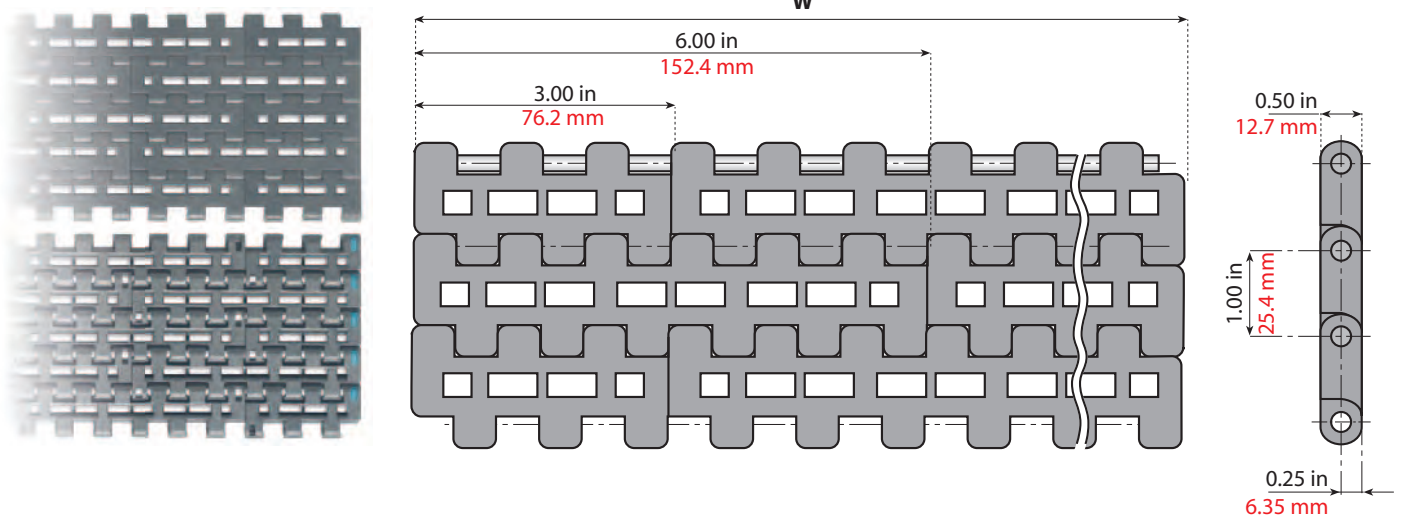


Pages 340→343

FOR BELTS AVAILABLE IN "NGG" MATERIAL JUST ADD "NGG" TO PART NUMBER (EXAMPLE "CODE 26003-NGG")

Width W		Belts Ref.	Code	Width W		Belts Ref.	Code	Width W		Belts Ref.	Code	Width W		Belts Ref.	Code
inch	mm			inch	mm			inch	mm			inch	mm		
3.00	76	2252-0003 FT	26000	33.00	838	2252-0033 FT	261010	63.00	1600	2252-0063 FT	261020	93.00	2362	2252-0093 FT	261030
6.00	152	2252-0006 FT	26003	36.00	914	2252-0036 FT	261011	66.00	1676	2252-0066 FT	261021	96.00	2438	2252-0096 FT	261031
9.00	229	2252-0009 FT	261002	39.00	991	2252-0039 FT	261012	69.00	1753	2252-0069 FT	261022	99.00	2515	2252-0099 FT	261032
12.00	305	2252-0012 FT	261003	42.00	1067	2252-0042 FT	261013	72.00	1829	2252-0072 FT	261023	102.00	2591	2252-0102 FT	261033
15.00	381	2252-0015 FT	261004	45.00	1143	2252-0045 FT	261014	75.00	1905	2252-0075 FT	261024	105.00	2667	2252-0105 FT	261034
18.00	457	2252-0018 FT	261005	48.00	1219	2252-0048 FT	261015	78.00	1981	2252-0078 FT	261025	108.00	2743	2252-0108 FT	261035
21.00	533	2252-0021 FT	261006	51.00	1295	2252-0051 FT	261016	81.00	2057	2252-0081 FT	261026	111.00	2819	2252-0111 FT	261036
24.00	610	2252-0024 FT	261007	54.00	1372	2252-0054 FT	261017	84.00	2134	2252-0084 FT	261027	114.00	2896	2252-0114 FT	261037
27.00	686	2252-0027 FT	261008	57.00	1448	2252-0057 FT	261018	87.00	2210	2252-0087 FT	261028	117.00	2972	2252-0117 FT	261038
30.00	762	2252-0030 FT	261009	60.00	1524	2252-0060 FT	261019	90.00	2286	2252-0090 FT	261029	120.00	3048	2252-0120 FT	261039

Other widths available on request.



Version standard

Backflex radius: 1 inch., 25.4 mm

Max load capacity: 2604 lbs/ft, 38.000 N/m

Weight: 14.0 Kg/m², 2.87 lbs/ft²

Pin material: PBT (white)

Open surface: 14%

Standard length:

belt width ≤ 15 inch: 3.048m belt length

belt width > 15 inch, but ≤36 inch: 1.524m belt length

belt width > 36 inch: belt length on request

Standard materials

LFG	NGG
Low Friction Acetal Resin	New Generation



Pages 4→7



Pages 321→323

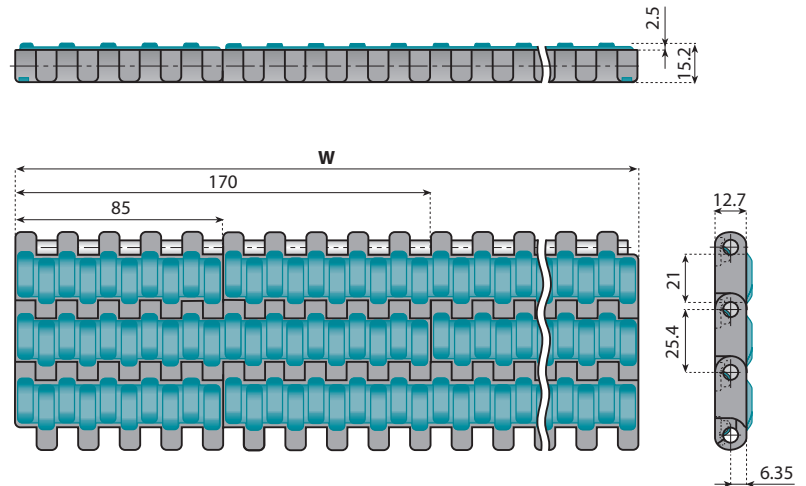
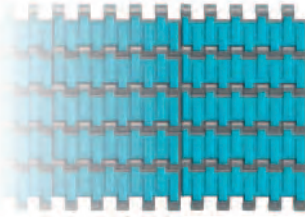


Pages 340→343

FOR BELTS AVAILABLE IN "NGG" MATERIAL JUST ADD "NGG" TO PART NUMBER (EXAMPLE "CODE 26201-NGG")

Width W		Belts Ref.	Code	Width W		Belts Ref.	Code	Width W		Belts Ref.	Code	Width W		Belts Ref.	Code
inch	mm			inch	mm			inch	mm			inch	mm		
3.00	76	2252-0003 PT	26200	33.00	838	2252-0033 PT	26210	63.00	1600	2252-0063 PT	26220	93.00	2362	2252-0093 PT	26230
6.00	152	2252-0006 PT	26201	36.00	914	2252-0036 PT	26211	66.00	1676	2252-0066 PT	26221	96.00	2438	2252-0096 PT	26231
9.00	229	2252-0009 PT	26202	39.00	991	2252-0039 PT	26212	69.00	1753	2252-0069 PT	26222	99.00	2515	2252-0099 PT	26232
12.00	305	2252-0012 PT	26203	42.00	1067	2252-0042 PT	26213	72.00	1829	2252-0072 PT	26223	102.00	2591	2252-0102 PT	26233
15.00	381	2252-0015 PT	26204	45.00	1143	2252-0045 PT	26214	75.00	1905	2252-0075 PT	26224	105.00	2667	2252-0105 PT	26234
18.00	457	2252-0018 PT	26205	48.00	1219	2252-0048 PT	26215	78.00	1981	2252-0078 PT	26225	108.00	2743	2252-0108 PT	26235
21.00	533	2252-0021 PT	26206	51.00	1295	2252-0051 PT	26216	81.00	2057	2252-0081 PT	26226	111.00	2819	2252-0111 PT	26236
24.00	610	2252-0024 PT	26207	54.00	1372	2252-0054 PT	26217	84.00	2134	2252-0084 PT	26227	114.00	2896	2252-0114 PT	26237
27.00	686	2252-0027 PT	26208	57.00	1448	2252-0057 PT	26218	87.00	2210	2252-0087 PT	26228	117.00	2972	2252-0117 PT	26238
30.00	762	2252-0030 PT	26209	60.00	1524	2252-0060 PT	26219	90.00	2286	2252-0090 PT	26229	120.00	3048	2252-0120 PT	26239

Other widths available on request.



Version standard

Belt material: low friction acetal resin, dark grey colour

Rubber material: thermoplastic rubber, waterblue colour

Backflex radius: 30 mm

Max load capacity: 38.000 N/m

Pin material: PBT (white)

Standard length:

belt width ≤ 0.340mm: 3.048m belt length

belt width > 0.340mm, but ≤ 0.935mm: 1.524m belt length

belt width > 0.935mm: belt length on request

Standard materials

LFG	TPR
Low Friction Acetal Resin	Thermoplastic Rubber



Pages 4⇒7

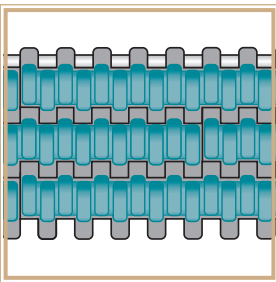


Pages 321⇒323



Pages 340⇒343

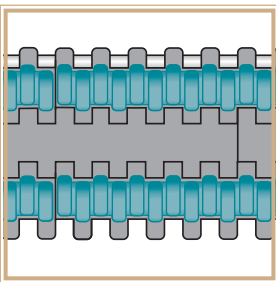
TYPE VG 2251



Weight: 13.5 Kg/m²

Width W mm	Belts Ref.	Code	Width W mm	Belts Ref.	Code	Width W mm	Belts Ref.	Code
85	VG 2251-0085	252000	935	VG 2251-0935	252010	1785	VG 2251-1785	252020
170	VG 2251-0170	252001	1020	VG 2251-1020	252011	1870	VG 2251-1870	252021
255	VG 2251-0255	252002	1105	VG 2251-1105	252012	1955	VG 2251-1955	252022
340	VG 2251-0340	252003	1190	VG 2251-1190	252013	2040	VG 2251-2040	252023
425	VG 2251-0425	252004	1275	VG 2251-1275	252014	2125	VG 2251-2125	252024
510	VG 2251-0510	252005	1360	VG 2251-1360	252015	2210	VG 2251-2210	252025
595	VG 2251-0595	252006	1445	VG 2251-1445	252016	2295	VG 2251-2295	252026
680	VG 2251-0680	252007	1530	VG 2251-1530	252017	2380	VG 2251-2380	252027
765	VG 2251-0765	252008	1615	VG 2251-1615	252018			
850	VG 2251-0850	252009	1700	VG 2251-1700	252019			

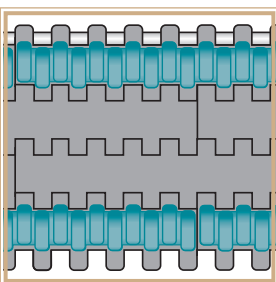
TYPE VG2-2251



Weight: 13.0 Kg/m²

Width W mm	Belts Ref.	Code	Width W mm	Belts Ref.	Code	Width W mm	Belts Ref.	Code
85	VG2 2251-0085	252100	935	VG2 2251-0935	252110	1785	VG2 2251-1785	252120
170	VG2 2251-0170	252101	1020	VG2 2251-1020	252111	1870	VG2 2251-1870	252121
255	VG2 2251-0255	252102	1105	VG2 2251-1105	252112	1955	VG2 2251-1955	252122
340	VG2 2251-0340	252103	1190	VG2 2251-1190	252113	2040	VG2 2251-2040	252123
425	VG2 2251-0425	252104	1275	VG2 2251-1275	252114	2125	VG2 2251-2125	252124
510	VG2 2251-0510	252105	1360	VG2 2251-1360	252115	2210	VG2 2251-2210	252125
595	VG2 2251-0595	252106	1445	VG2 2251-1445	252116	2295	VG2 2251-2295	252126
680	VG2 2251-0680	252107	1530	VG2 2251-1530	252117	2380	VG2 2251-2380	252127
765	VG2 2251-0765	252108	1615	VG2 2251-1615	252118			
850	VG2 2251-0850	252109	1700	VG2 2251-1700	252119			

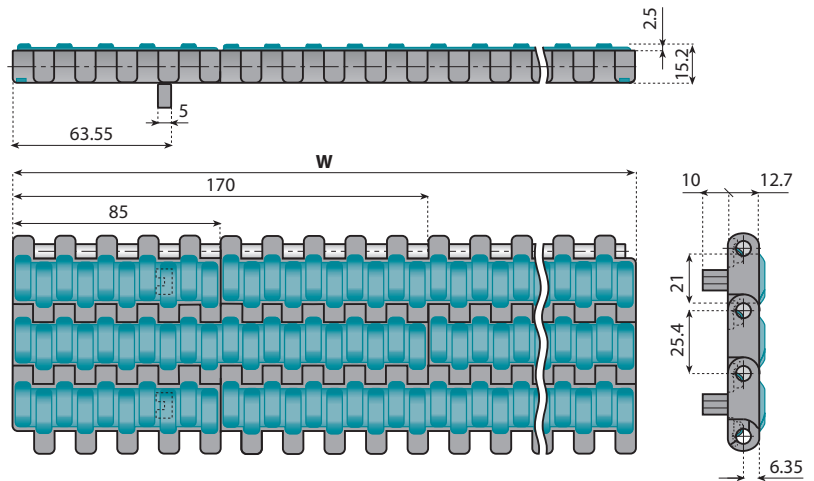
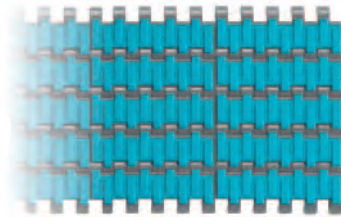
TYPE VG3-2251



Weight: 12.8 Kg/m²

Width W mm	Belts Ref.	Code	Width W mm	Belts Ref.	Code	Width W mm	Belts Ref.	Code
85	VG3 2251-0085	252200	935	VG3 2251-0935	252210	1785	VG3 2251-1785	252220
170	VG3 2251-0170	252201	1020	VG3 2251-1020	252211	1870	VG3 2251-1870	252221
255	VG3 2251-0255	252202	1105	VG3 2251-1105	252212	1955	VG3 2251-1955	252222
340	VG3 2251-0340	252203	1190	VG3 2251-1190	252213	2040	VG3 2251-2040	252223
425	VG3 2251-0425	252204	1275	VG3 2251-1275	252214	2125	VG3 2251-2125	252224
510	VG3 2251-0510	252205	1360	VG3 2251-1360	252215	2210	VG3 2251-2210	252225
595	VG3 2251-0595	252206	1445	VG3 2251-1445	252216	2295	VG3 2251-2295	252226
680	VG3 2251-0680	252207	1530	VG3 2251-1530	252217	2380	VG3 2251-2380	252227
765	VG3 2251-0765	252208	1615	VG3 2251-1615	252218			
850	VG3 2251-0850	252209	1700	VG3 2251-1700	252219			

Other widths available on request.



Version with one positioner

Belt material: low friction acetal resin, dark grey colour

Rubber material: thermoplastic rubber, waterblue colour

Backflex radius: 30 mm

Max load capacity: 38.000 N/m

Pin material: PBT (white)

Standard length:

belt width ≤ 0.340mm: 3.048m belt length

belt width > 0.340mm, but ≤ 0.935mm: 1.524m belt length

belt width > 0.935mm: belt length on request

Standard materials

LFG	TPR
Low Friction Acetal Resin	Thermoplastic Rubber



Pages 4⇒7

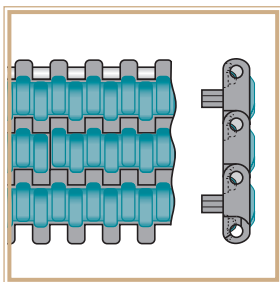


Pages 321⇒323



Pages 340⇒343

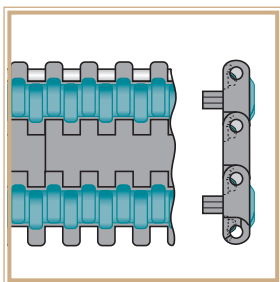
TYPE VG 2251 P1



Weight: 13.5 Kg/m²

Width W mm	Belts Ref.	Code	Width W mm	Belts Ref.	Code	Width W mm	Belts Ref.	Code
85	VG 2251-0085 P1	253400	935	VG 2251-0935 P1	253410	1785	VG 2251-1785 P1	253420
170	VG 2251-0170 P1	253401	1020	VG 2251-1020 P1	253411	1870	VG 2251-1870 P1	253421
255	VG 2251-0255 P1	253402	1105	VG 2251-1105 P1	253412	1955	VG 2251-1955 P1	253422
340	VG 2251-0340 P1	253403	1190	VG 2251-1190 P1	253413	2040	VG 2251-2040 P1	253423
425	VG 2251-0425 P1	253404	1275	VG 2251-1275 P1	253414	2125	VG 2251-2125 P1	253424
510	VG 2251-0510 P1	253405	1360	VG 2251-1360 P1	253415	2210	VG 2251-2210 P1	253425
595	VG 2251-0595 P1	253406	1445	VG 2251-1445 P1	253416	2295	VG 2251-2295 P1	253426
680	VG 2251-0680 P1	253407	1530	VG 2251-1530 P1	253417	2380	VG 2251-2380 P1	253427
765	VG 2251-0765 P1	253408	1615	VG 2251-1615 P1	253418			
850	VG 2251-0850 P1	253409	1700	VG 2251-1700 P1	253419			

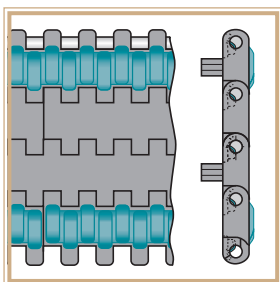
TYPE VG2-2251 P1



Weight: 13.0 Kg/m²

Width W mm	Belts Ref.	Code	Width W mm	Belts Ref.	Code	Width W mm	Belts Ref.	Code
85	VG2 2251-0085 P1	253500	935	VG2 2251-0935 P1	253510	1785	VG2 2251-1785 P1	253520
170	VG2 2251-0170 P1	253501	1020	VG2 2251-1020 P1	253511	1870	VG2 2251-1870 P1	253521
255	VG2 2251-0255 P1	253502	1105	VG2 2251-1105 P1	253512	1955	VG2 2251-1955 P1	253522
340	VG2 2251-0340 P1	253503	1190	VG2 2251-1190 P1	253513	2040	VG2 2251-2040 P1	253523
425	VG2 2251-0425 P1	253504	1275	VG2 2251-1275 P1	253514	2125	VG2 2251-2125 P1	253524
510	VG2 2251-0510 P1	253505	1360	VG2 2251-1360 P1	253515	2210	VG2 2251-2210 P1	253525
595	VG2 2251-0595 P1	253506	1445	VG2 2251-1445 P1	253516	2295	VG2 2251-2295 P1	253526
680	VG2 2251-0680 P1	253507	1530	VG2 2251-1530 P1	253517	2380	VG2 2251-2380 P1	253527
765	VG2 2251-0765 P1	253508	1615	VG2 2251-1615 P1	253518			
850	VG2 2251-0850 P1	253509	1700	VG2 2251-1700 P1	253519			

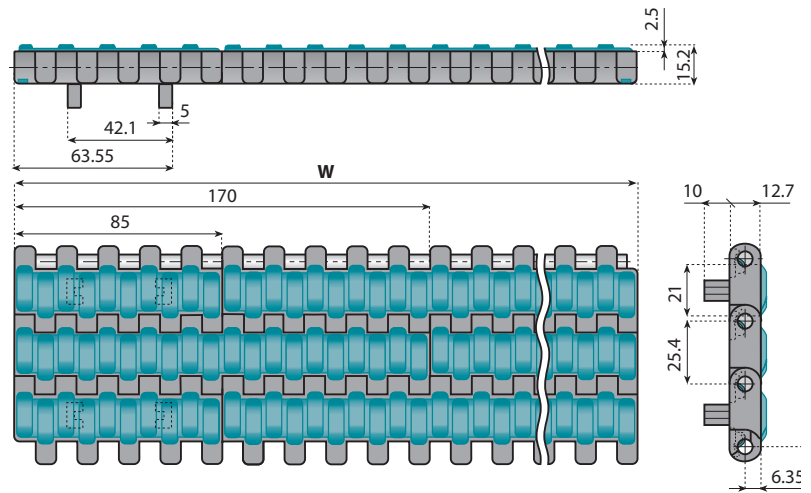
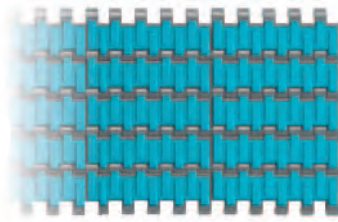
TYPE VG3-2251 P1



Weight: 12.8 Kg/m²

Width W mm	Belts Ref.	Code	Width W mm	Belts Ref.	Code	Width W mm	Belts Ref.	Code
85	VG3 2251-0085 P1	253600	935	VG3 2251-0935 P1	253610	1785	VG3 2251-1785 P1	253620
170	VG3 2251-0170 P1	253601	1020	VG3 2251-1020 P1	253611	1870	VG3 2251-1870 P1	253621
255	VG3 2251-0255 P1	253602	1105	VG3 2251-1105 P1	253612	1955	VG3 2251-1955 P1	253622
340	VG3 2251-0340 P1	253603	1190	VG3 2251-1190 P1	253613	2040	VG3 2251-2040 P1	253623
425	VG3 2251-0425 P1	253604	1275	VG3 2251-1275 P1	253614	2125	VG3 2251-2125 P1	253624
510	VG3 2251-0510 P1	253605	1360	VG3 2251-1360 P1	253615	2210	VG3 2251-2210 P1	253625
595	VG3 2251-0595 P1	253606	1445	VG3 2251-1445 P1	253616	2295	VG3 2251-2295 P1	253626
680	VG3 2251-0680 P1	253607	1530	VG3 2251-1530 P1	253617	2380	VG3 2251-2380 P1	253627
765	VG3 2251-0765 P1	253608	1615	VG3 2251-1615 P1	253618			
850	VG3 2251-0850 P1	253609	1700	VG3 2251-1700 P1	253619			

Other widths available on request.



Version with two positioners

Belt material: low friction acetal resin, dark grey colour

Rubber material: thermoplastic rubber, waterblue colour

Backflex radius: 30 mm

Max load capacity: 38.000 N/m

Pin material: PBT (white)

Standard length:

belt width ≤ 0.340mm: 3.048m belt length

belt width > 0.340mm, but ≤ 0.935mm: 1.524m belt length

belt width > 0.935mm: belt length on request

Standard materials

LFG	TPR
Low Friction Acetal Resin	Thermoplastic Rubber



Pages 4⇒7

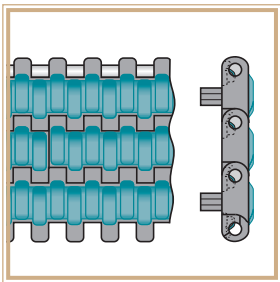


Pages 321⇒323



Pages 340⇒343

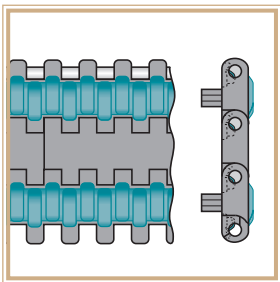
TYPE VG 2251 P2



Weight: 13.5 Kg/m²

Width W mm	Belts Ref.	Code	Width W mm	Belts Ref.	Code	Width W mm	Belts Ref.	Code
85	VG 2251-0085 P2	252300	935	VG 2251-0935 P2	252310	1785	VG 2251-1785 P2	252320
170	VG 2251-0170 P2	252301	1020	VG 2251-1020 P2	252311	1870	VG 2251-1870 P2	252321
255	VG 2251-0255 P2	252302	1105	VG 2251-1105 P2	252312	1955	VG 2251-1955 P2	252322
340	VG 2251-0340 P2	252303	1190	VG 2251-1190 P2	252313	2040	VG 2251-2040 P2	252323
425	VG 2251-0425 P2	252304	1275	VG 2251-1275 P2	252314	2125	VG 2251-2125 P2	252324
510	VG 2251-0510 P2	252305	1360	VG 2251-1360 P2	252315	2210	VG 2251-2210 P2	252325
595	VG 2251-0595 P2	252306	1445	VG 2251-1445 P2	252316	2295	VG 2251-2295 P2	252326
680	VG 2251-0680 P2	252307	1530	VG 2251-1530 P2	252317	2380	VG 2251-2380 P2	252327
765	VG 2251-0765 P2	252308	1615	VG 2251-1615 P2	252318			
850	VG 2251-0850 P2	252309	1700	VG 2251-1700 P2	252319			

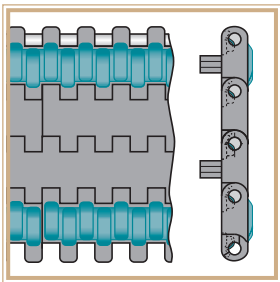
TYPE VG2-2251 P2



Weight: 13.0 Kg/m²

Width W mm	Belts Ref.	Code	Width W mm	Belts Ref.	Code	Width W mm	Belts Ref.	Code
85	VG2 2251-0085 P2	252400	935	VG2 2251-0935 P2	252410	1785	VG2 2251-1785 P2	252420
170	VG2 2251-0170 P2	252401	1020	VG2 2251-1020 P2	252411	1870	VG2 2251-1870 P2	252421
255	VG2 2251-0255 P2	252402	1105	VG2 2251-1105 P2	252412	1955	VG2 2251-1955 P2	252422
340	VG2 2251-0340 P2	252403	1190	VG2 2251-1190 P2	252413	2040	VG2 2251-2040 P2	252423
425	VG2 2251-0425 P2	252404	1275	VG2 2251-1275 P2	252414	2125	VG2 2251-2125 P2	252424
510	VG2 2251-0510 P2	252405	1360	VG2 2251-1360 P2	252415	2210	VG2 2251-2210 P2	252425
595	VG2 2251-0595 P2	252406	1445	VG2 2251-1445 P2	252416	2295	VG2 2251-2295 P2	252426
680	VG2 2251-0680 P2	252407	1530	VG2 2251-1530 P2	252417	2380	VG2 2251-2380 P2	252427
765	VG2 2251-0765 P2	252408	1615	VG2 2251-1615 P2	252418			
850	VG2 2251-0850 P2	252409	1700	VG2 2251-1700 P2	252419			

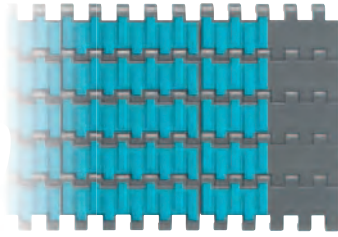
TYPE VG3-2251 P2



Weight: 12.8 Kg/m²

Width W mm	Belts Ref.	Code	Width W mm	Belts Ref.	Code	Width W mm	Belts Ref.	Code
85	VG3 2251-0085 P2	252500	935	VG3 2251-0935 P2	252510	1785	VG3 2251-1785 P2	252520
170	VG3 2251-0170 P2	252501	1020	VG3 2251-1020 P2	252511	1870	VG3 2251-1870 P2	252521
255	VG3 2251-0255 P2	252502	1105	VG3 2251-1105 P2	252512	1955	VG3 2251-1955 P2	252522
340	VG3 2251-0340 P2	252503	1190	VG3 2251-1190 P2	252513	2040	VG3 2251-2040 P2	252523
425	VG3 2251-0425 P2	252504	1275	VG3 2251-1275 P2	252514	2125	VG3 2251-2125 P2	252524
510	VG3 2251-0510 P2	252505	1360	VG3 2251-1360 P2	252515	2210	VG3 2251-2210 P2	252525
595	VG3 2251-0595 P2	252506	1445	VG3 2251-1445 P2	252516	2295	VG3 2251-2295 P2	252526
680	VG3 2251-0680 P2	252507	1530	VG3 2251-1530 P2	252517	2380	VG3 2251-2380 P2	252527
765	VG3 2251-0765 P2	252508	1615	VG3 2251-1615 P2	252518			
850	VG3 2251-0850 P2	252509	1700	VG3 2251-1700 P2	252519			

Other widths available on request.



Version with side indent

Belt material: low friction acetal resin, dark grey colour

Rubber material: thermoplastic rubber, waterblue colour

Backflex radius: 30 mm

Max load capacity: 38.000 N/m

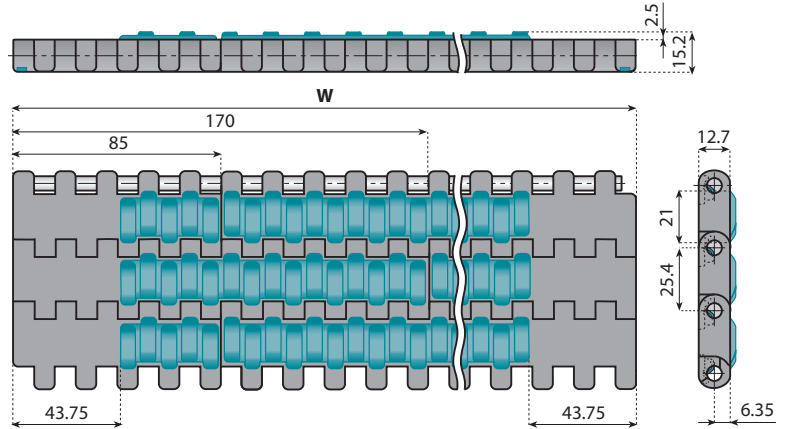
Pin material: PBT (white)

Standard length:

belt width ≤ 0.340mm: 3.048m belt length

belt width > 0.340mm, but ≤ 0.935mm: 1.524m belt length

belt width > 0.935mm: belt length on request



Standard materials

LFG	TPR
Low Friction Acetal Resin	Thermoplastic Rubber



Pages 4⇒7

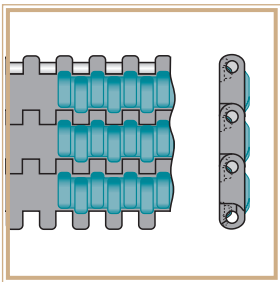


Pages 321⇒323



Pages 340⇒343

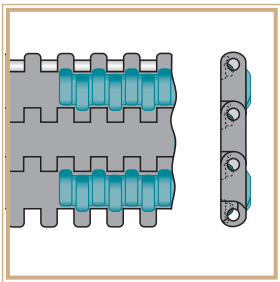
TYPE VGS 2251



Weight: 13.5 Kg/m²

Width W mm	Belts Ref.	Code	Width W mm	Belts Ref.	Code	Width W mm	Belts Ref.	Code
85	-	-	935	VGS 2251-0935	252610	1785	VGS 2251-1785	252620
170	-	-	1020	VGS 2251-1020	252611	1870	VGS 2251-1870	252621
255	VGS 2251-0255	252602	1105	VGS 2251-1105	252612	1955	VGS 2251-1955	252622
340	VGS 2251-0340	252603	1190	VGS 2251-1190	252613	2040	VGS 2251-2040	252623
425	VGS 2251-0425	252604	1275	VGS 2251-1275	252614	2125	VGS 2251-2125	252624
510	VGS 2251-0510	252605	1360	VGS 2251-1360	252615	2210	VGS 2251-2210	252625
595	VGS 2251-0595	252606	1445	VGS 2251-1445	252616	2295	VGS 2251-2295	252626
680	VGS 2251-0680	252607	1530	VGS 2251-1530	252617	2380	VGS 2251-2380	252627
765	VGS 2251-0765	252608	1615	VGS 2251-1615	252618			
850	VGS 2251-0850	252609	1700	VGS 2251-1700	252619			

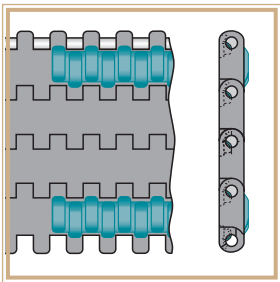
TYPE VGS2-2251



Weight: 13.0 Kg/m²

Width W mm	Belts Ref.	Code	Width W mm	Belts Ref.	Code	Width W mm	Belts Ref.	Code
85	-	-	935	VGS2 2251-0935	252710	1785	VGS2 2251-1785	252720
170	VGS2 2251-0170	252701	1020	VGS2 2251-1020	252711	1870	VGS2 2251-1870	252721
255	VGS2 2251-0255	252702	1105	VGS2 2251-1105	252712	1955	VGS2 2251-1955	252722
340	VGS2 2251-0340	252703	1190	VGS2 2251-1190	252713	2040	VGS2 2251-2040	252723
425	VGS2 2251-0425	252704	1275	VGS2 2251-1275	252714	2125	VGS2 2251-2125	252724
510	VGS2 2251-0510	252705	1360	VGS2 2251-1360	252715	2210	VGS2 2251-2210	252725
595	VGS2 2251-0595	252706	1445	VGS2 2251-1445	252716	2295	VGS2 2251-2295	252726
680	VGS2 2251-0680	252707	1530	VGS2 2251-1530	252717	2380	VGS2 2251-2380	252727
765	VGS2 2251-0765	252708	1615	VGS2 2251-1615	252718			
850	VGS2 2251-0850	252709	1700	VGS2 2251-1700	252719			

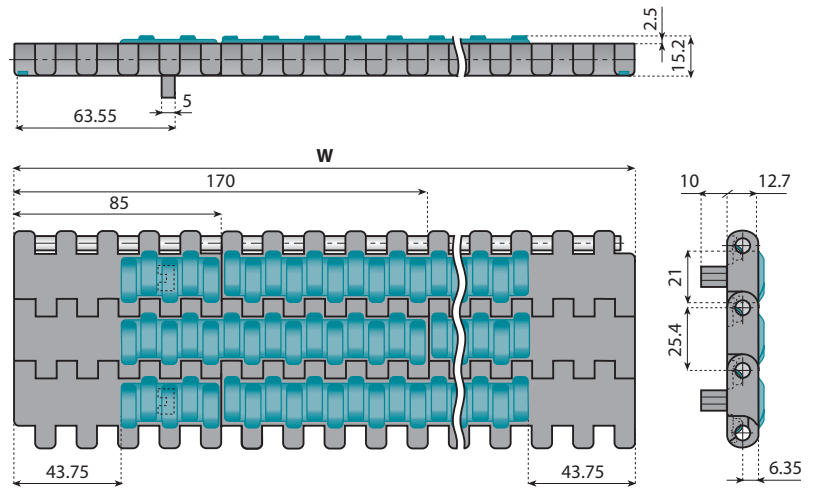
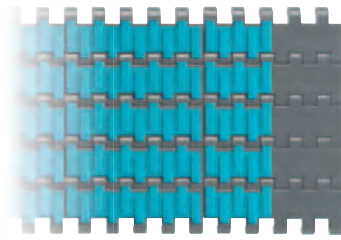
TYPE VGS3-2251



Weight: 12.8 Kg/m²

Width W mm	Belts Ref.	Code	Width W mm	Belts Ref.	Code	Width W mm	Belts Ref.	Code
85	-	-	935	VGS3 2251-0935	252810	1785	VGS3 2251-1785	252820
170	VGS3 2251-0170	252801	1020	VGS3 2251-1020	252811	1870	VGS3 2251-1870	252821
255	VGS3 2251-0255	252802	1105	VGS3 2251-1105	252812	1955	VGS3 2251-1955	252822
340	VGS3 2251-0340	252803	1190	VGS3 2251-1190	252813	2040	VGS3 2251-2040	252823
425	VGS3 2251-0425	252804	1275	VGS3 2251-1275	252814	2125	VGS3 2251-2125	252824
510	VGS3 2251-0510	252805	1360	VGS3 2251-1360	252815	2210	VGS3 2251-2210	252825
595	VGS3 2251-0595	252806	1445	VGS3 2251-1445	252816	2295	VGS3 2251-2295	252826
680	VGS3 2251-0680	252807	1530	VGS3 2251-1530	252817	2380	VGS3 2251-2380	252827
765	VGS3 2251-0765	252808	1615	VGS3 2251-1615	252818			
850	VGS3 2251-0850	252809	1700	VGS3 2251-1700	252819			

Other widths available on request.



Version with side indent and one positioner

Belt material: low friction acetal resin, dark grey colour

Rubber material: thermoplastic rubber, waterblue colour

Backflex radius: 30 mm

Max load capacity: 38.000 N/m

Pin material: PBT (white)

Standard length:

belt width ≤ 0.340mm: 3.048m belt length

belt width > 0.340mm, but ≤ 0.935mm: 1.524m belt length

belt width > 0.935mm: belt length on request

Standard materials

LFG	TPR
Low Friction Acetal Resin	Thermoplastic Rubber



Pages 4⇒7

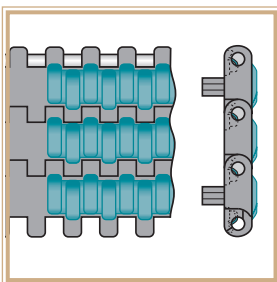


Pages 321⇒323



Pages 340⇒343

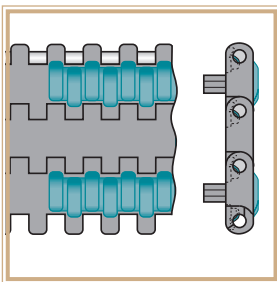
TYPE VGS 2251 P1



Weight: 13.5 Kg/m²

Width W mm	Belts Ref.	Code	Width W mm	Belts Ref.	Code	Width W mm	Belts Ref.	Code
85	-	-	935	VGS 2251-0935 P1	253710	1785	VGS 2251-1785 P1	253720
170	-	-	1020	VGS 2251-1020 P1	253711	1870	VGS 2251-1870 P1	253721
255	VGS 2251-0255 P1	253702	1105	VGS 2251-1105 P1	253712	1955	VGS 2251-1955 P1	253722
340	VGS 2251-0340 P1	253703	1190	VGS 2251-1190 P1	253713	2040	VGS 2251-2040 P1	253723
425	VGS 2251-0425 P1	253704	1275	VGS 2251-1275 P1	253714	2125	VGS 2251-2125 P1	253724
510	VGS 2251-0510 P1	253705	1360	VGS 2251-1360 P1	253715	2210	VGS 2251-2210 P1	253725
595	VGS 2251-0595 P1	253706	1445	VGS 2251-1445 P1	253716	2295	VGS 2251-2295 P1	253726
680	VGS 2251-0680 P1	253707	1530	VGS 2251-1530 P1	253717	2380	VGS 2251-2380 P1	253727
765	VGS 2251-0765 P1	253708	1615	VGS 2251-1615 P1	253718			
850	VGS 2251-0850 P1	253709	1700	VGS 2251-1700 P1	253719			

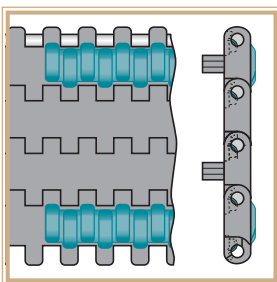
TYPE VGS2-2251 P1



Weight: 13.0 Kg/m²

Width W mm	Belts Ref.	Code	Width W mm	Belts Ref.	Code	Width W mm	Belts Ref.	Code
85	-	-	935	VGS2 2251-0935 P1	253810	1785	VGS2 2251-1785 P1	253820
170	VGS2 2251-0170 P1	253801	1020	VGS2 2251-1020 P1	253811	1870	VGS2 2251-1870 P1	253821
255	VGS2 2251-0255 P1	253802	1105	VGS2 2251-1105 P1	253812	1955	VGS2 2251-1955 P1	253822
340	VGS2 2251-0340 P1	253803	1190	VGS2 2251-1190 P1	253813	2040	VGS2 2251-2040 P1	253823
425	VGS2 2251-0425 P1	253804	1275	VGS2 2251-1275 P1	253814	2125	VGS2 2251-2125 P1	253824
510	VGS2 2251-0510 P1	253805	1360	VGS2 2251-1360 P1	253815	2210	VGS2 2251-2210 P1	253825
595	VGS2 2251-0595 P1	253806	1445	VGS2 2251-1445 P1	253816	2295	VGS2 2251-2295 P1	253826
680	VGS2 2251-0680 P1	253807	1530	VGS2 2251-1530 P1	253817	2380	VGS2 2251-2380 P1	253827
765	VGS2 2251-0765 P1	253808	1615	VGS2 2251-1615 P1	253818			
850	VGS2 2251-0850 P1	253809	1700	VGS2 2251-1700 P1	253819			

TYPE VGS3-2251 P1

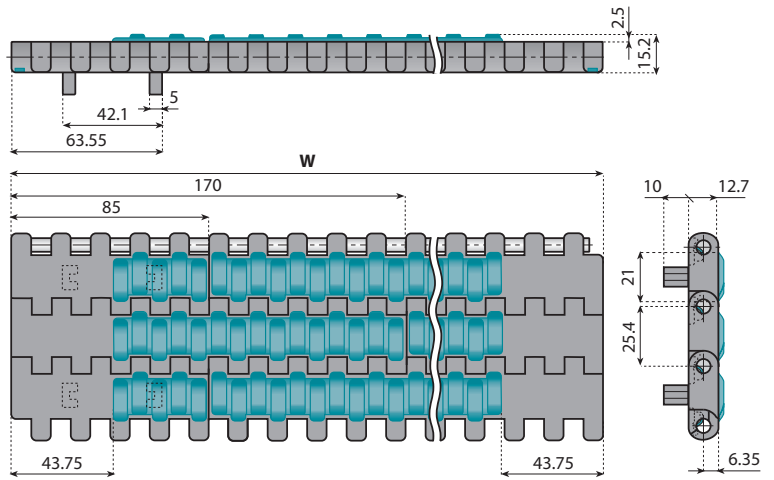
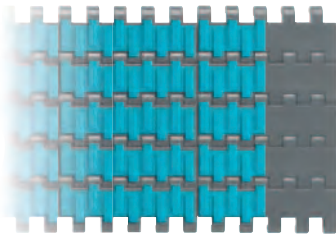


Weight: 12.8 Kg/m²

Width W mm	Belts Ref.	Code	Width W mm	Belts Ref.	Code	Width W mm	Belts Ref.	Code
85	-	-	935	VGS3 2251-0935 P1	253910	1785	VGS3 2251-1785 P1	253920
170	-	-	1020	VGS3 2251-1020 P1	253911	1870	VGS3 2251-1870 P1	253921
255	VGS3 2251-0255 P1	253902	1105	VGS3 2251-1105 P1	253912	1955	VGS3 2251-1955 P1	253922
340	VGS3 2251-0340 P1	253903	1190	VGS3 2251-1190 P1	253913	2040	VGS3 2251-2040 P1	253923
425	VGS3 2251-0425 P1	253904	1275	VGS3 2251-1275 P1	253914	2125	VGS3 2251-2125 P1	253924
510	VGS3 2251-0510 P1	253905	1360	VGS3 2251-1360 P1	253915	2210	VGS3 2251-2210 P1	253925
595	VGS3 2251-0595 P1	253906	1445	VGS3 2251-1445 P1	253916	2295	VGS3 2251-2295 P1	253926
680	VGS3 2251-0680 P1	253907	1530	VGS3 2251-1530 P1	253917	2380	VGS3 2251-2380 P1	253927
765	VGS3 2251-0765 P1	253908	1615	VGS3 2251-1615 P1	253918			
850	VGS3 2251-0850 P1	253909	1700	VGS3 2251-1700 P1	253919			

Other widths available on request.

VGS 2251 P2 HEAVY DUTY GRIP BELTS (PITCH 1" - 25.4 MM) WITH HIGH FRICTION SURFACE (SIDE INDENT)



Version with side indent and two positioners

Belt material: low friction acetal resin, dark grey colour

Rubber material: thermoplastic rubber, waterblue colour

Backflex radius: 30 mm

Max load capacity: 38.000 N/m

Standard length: 60 pitches (5 ft - 1.524 m)

Pin material: PBT (white)

Standard length:

belt width ≤ 0.340mm: 3.048m belt length

belt width > 0.340mm, but ≤ 0.935mm: 1.524m belt length

belt width > 0.935mm: belt length on request

Standard materials

LFG	TPR
Low Friction Acetal Resin	Thermoplastic Rubber



Pages 4⇒7

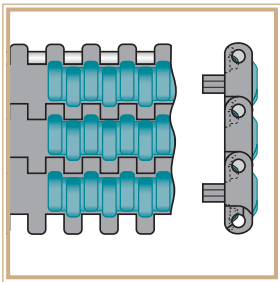


Pages 321⇒323



Pages 340⇒343

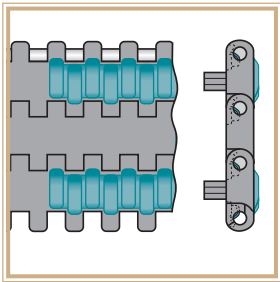
TYPE VGS 2251 P2



Weight: 13.5 Kg/m²

Width W mm	Belts Ref.	Code	Width W mm	Belts Ref.	Code	Width W mm	Belts Ref.	Code
85	-	-	935	VGS 2251-0935 P2	252910	1785	VGS 2251-1785 P2	252920
170	-	-	1020	VGS 2251-1020 P2	252911	1870	VGS 2251-1870 P2	252921
255	VGS 2251-0255 P2	252902	1105	VGS 2251-1105 P2	252912	1955	VGS 2251-1955 P2	252922
340	VGS 2251-0340 P2	252903	1190	VGS 2251-1190 P2	252913	2040	VGS 2251-2040 P2	252923
425	VGS 2251-0425 P2	252904	1275	VGS 2251-1275 P2	252914	2125	VGS 2251-2125 P2	252924
510	VGS 2251-0510 P2	252905	1360	VGS 2251-1360 P2	252915	2210	VGS 2251-2210 P2	252925
595	VGS 2251-0595 P2	252906	1445	VGS 2251-1445 P2	252916	2295	VGS 2251-2295 P2	252926
680	VGS 2251-0680 P2	252907	1530	VGS 2251-1530 P2	252917	2380	VGS 2251-2380 P2	252927
765	VGS 2251-0765 P2	252908	1615	VGS 2251-1615 P2	252918			
850	VGS 2251-0850 P2	252909	1700	VGS 2251-1700 P2	252919			

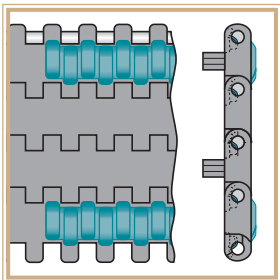
TYPE VGS2-2251 P2



Weight: 13.0 Kg/m²

Width W mm	Belts Ref.	Code	Width W mm	Belts Ref.	Code	Width W mm	Belts Ref.	Code
85	-	-	935	VGS2 2251-0935 P2	253010	1785	VGS2 2251-1785 P2	253020
170	VGS2 2251-0170 P2	253001	1020	VGS2 2251-1020 P2	253011	1870	VGS2 2251-1870 P2	253021
255	VGS2 2251-0255 P2	253002	1105	VGS2 2251-1105 P2	253012	1955	VGS2 2251-1955 P2	253022
340	VGS2 2251-0340 P2	253003	1190	VGS2 2251-1190 P2	253013	2040	VGS2 2251-2040 P2	253023
425	VGS2 2251-0425 P2	253004	1275	VGS2 2251-1275 P2	253014	2125	VGS2 2251-2125 P2	253024
510	VGS2 2251-0510 P2	253005	1360	VGS2 2251-1360 P2	253015	2210	VGS2 2251-2210 P2	253025
595	VGS2 2251-0595 P2	253006	1445	VGS2 2251-1445 P2	253016	2295	VGS2 2251-2295 P2	253026
680	VGS2 2251-0680 P2	253007	1530	VGS2 2251-1530 P2	253017	2380	VGS2 2251-2380 P2	253027
765	VGS2 2251-0765 P2	253008	1615	VGS2 2251-1615 P2	253018			
850	VGS2 2251-0850 P2	253009	1700	VGS2 2251-1700 P2	253019			

TYPE VGS3-2251 P3



Weight: 12.8 Kg/m²

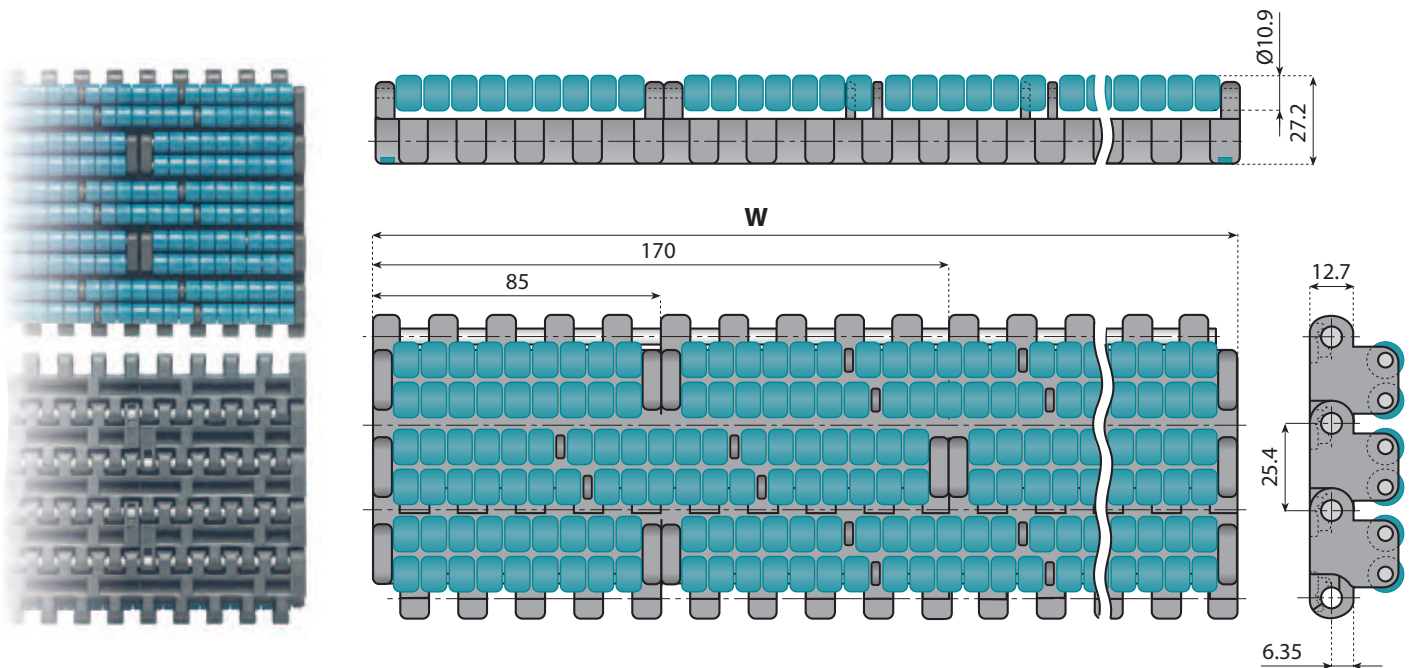
Width W mm	Belts Ref.	Code	Width W mm	Belts Ref.	Code	Width W mm	Belts Ref.	Code
85	-	-	935	VGS3 2251-0935 P2	253110	1785	VGS3 2251-1785 P2	253120
170	-	-	1020	VGS3 2251-1020 P2	253111	1870	VGS3 2251-1870 P2	253121
255	VGS3 2251-0255 P2	253102	1105	VGS3 2251-1105 P2	253112	1955	VGS3 2251-1955 P2	253122
340	VGS3 2251-0340 P2	253103	1190	VGS3 2251-1190 P2	253113	2040	VGS3 2251-2040 P2	253123
425	VGS3 2251-0425 P2	253104	1275	VGS3 2251-1275 P2	253114	2125	VGS3 2251-2125 P2	253124
510	VGS3 2251-0510 P2	253105	1360	VGS3 2251-1360 P2	253115	2210	VGS3 2251-2210 P2	253125
595	VGS3 2251-0595 P2	253106	1445	VGS3 2251-1445 P2	253116	2295	VGS3 2251-2295 P2	253126
680	VGS3 2251-0680 P2	253107	1530	VGS3 2251-1530 P2	253117	2380	VGS3 2251-2380 P2	253127
765	VGS3 2251-0765 P2	253108	1615	VGS3 2251-1615 P2	253118			
850	VGS3 2251-0850 P2	253109	1700	VGS3 2251-1700 P2	253119			

Standard length: 40 pitches (5 ft - 1.524 m)

Other widths available on request.

HEAVY DUTY LBP BELTS (Pitch 1" - 25.4 mm) WITH LOW NOISE ACCUMULATION ROLLERS

LBP 2251



Version standard

Backflex radius: 120 mm

Max load capacity: 38.000 N/m

Weight: 28.8 Kg/m²

Pin material: PBT (white)

Roller shaft material: Stainless Steel AISI 304

Standard length:

belt width ≤ 0.340mm: 1.524m belt length

belt width > 0.340mm, but ≤ 0.935mm: 0.762m belt length

belt width > 0.935mm: belt length on request

Standard material

LFG

Low Friction
Acetal Resin



Pages
4⇒7

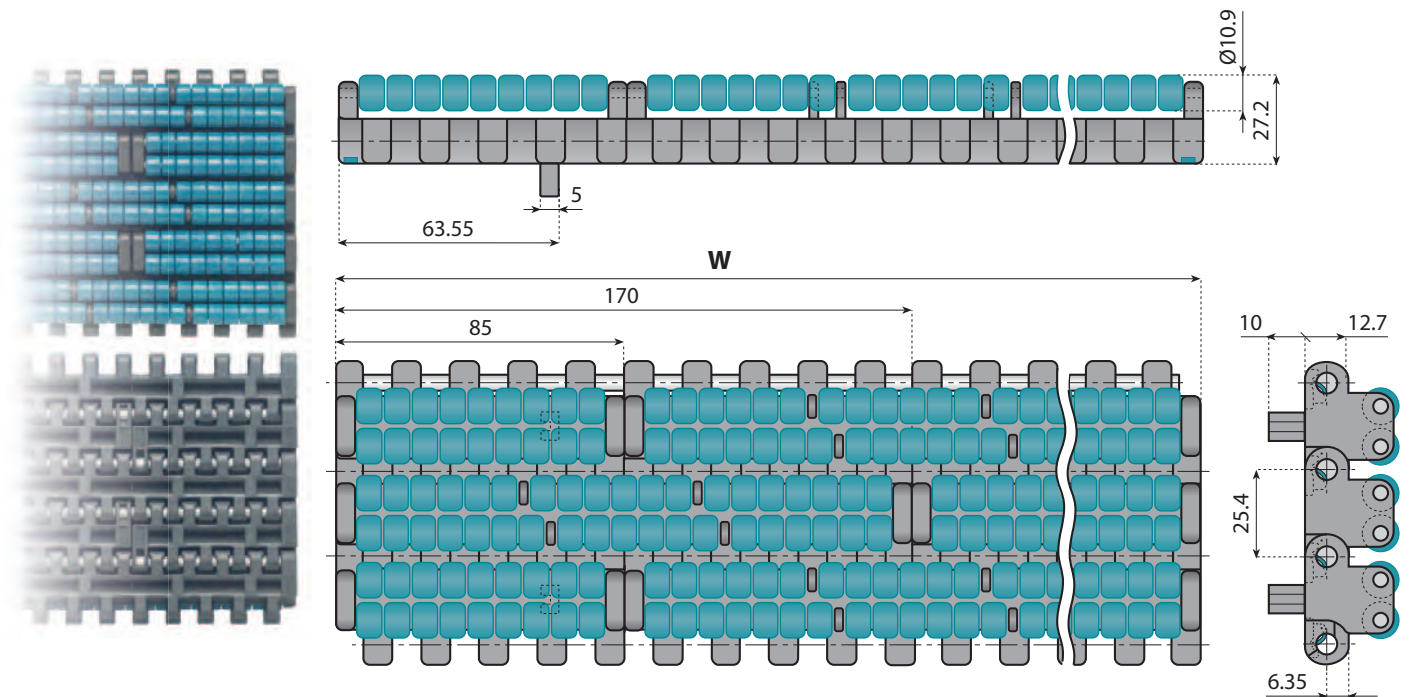


Pages
321⇒323



Pages
340⇒343

Width W mm	Belts Ref.	Code	Width W mm	Belts Ref.	Code	Width W mm	Belts Ref.	Code	Width W mm	Belts Ref.	Code
85	LBP 2251-0085	251800	935	LBP 2251-0935	251810	1785	LBP 2251-1785	251820	2635	LBP 2251-2635	251830
170	LBP 2251-0170	251801	1020	LBP 2251-1020	251811	1870	LBP 2251-1870	251821	2720	LBP 2251-2720	251831
255	LBP 2251-0255	251802	1105	LBP 2251-1105	251812	1955	LBP 2251-1955	251822	2805	LBP 2251-2805	251832
340	LBP 2251-0340	251803	1190	LBP 2251-1190	251813	2040	LBP 2251-2040	251823	2890	LBP 2251-2890	251833
425	LBP 2251-0425	251804	1275	LBP 2251-1275	251814	2125	LBP 2251-2125	251824	2975	LBP 2251-2975	251834
510	LBP 2251-0510	251805	1360	LBP 2251-1360	251815	2210	LBP 2251-2210	251825	3060	LBP 2251-3060	251835
595	LBP 2251-0595	251806	1445	LBP 2251-1445	251816	2295	LBP 2251-2295	251826	3145	LBP 2251-3145	251836
680	LBP 2251-0680	251807	1530	LBP 2251-1530	251817	2380	LBP 2251-2380	251827	3230	LBP 2251-3230	251837
765	LBP 2251-0765	251808	1615	LBP 2251-1615	251818	2465	LBP 2251-2465	251828	3315	LBP 2251-3315	251838
850	LBP 2251-0850	251809	1700	LBP 2251-1700	251819	2550	LBP 2251-2550	251829	3400	LBP 2251-3400	251839



Version with one positioner

Backflex radius: 120 mm

Max load capacity: 38.000 N/m

Weight: 28.8 Kg/m²

Pin material: PBT (white)

Roller shaft material: Stainless Steel AISI 304

Standard length:

belt width ≤ 0.340mm: 1.524m belt length

belt width > 0.340mm, but ≤ 0.935mm: 0.762m belt length

belt width > 0.935mm: belt length on request

Standard material

LFG

Low Friction
Acetal Resin



Pages
4⇔7



Pages
321⇔323

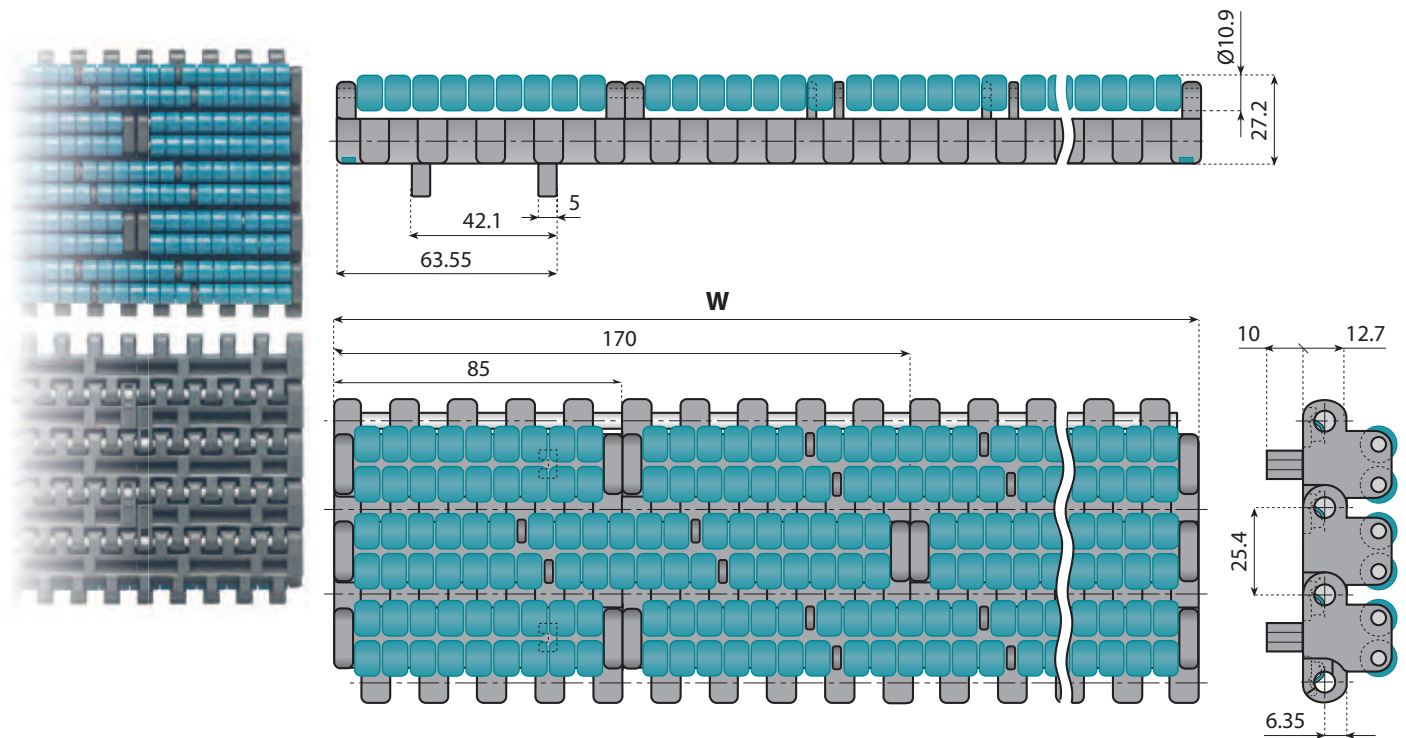


Pages
340⇔343

Width W mm	Belts Ref.	Code	Width W mm	Belts Ref.	Code	Width W mm	Belts Ref.	Code	Width W mm	Belts Ref.	Code
85	LBP 2251-0085 P1	254000	935	LBP 2251-0935 P1	254010	1785	LBP 2251-1785 P1	254020	2635	LBP 2251-2635 P1	254030
170	LBP 2251-0170 P1	254001	1020	LBP 2251-1020 P1	254011	1870	LBP 2251-1870 P1	254021	2720	LBP 2251-2720 P1	254031
255	LBP 2251-0255 P1	254002	1105	LBP 2251-1105 P1	254012	1955	LBP 2251-1955 P1	254022	2805	LBP 2251-2805 P1	254032
340	LBP 2251-0340 P1	254003	1190	LBP 2251-1190 P1	254013	2040	LBP 2251-2040 P1	254023	2890	LBP 2251-2890 P1	254033
425	LBP 2251-0425 P1	254004	1275	LBP 2251-1275 P1	254014	2125	LBP 2251-2125 P1	254024	2975	LBP 2251-2975 P1	254034
510	LBP 2251-0510 P1	254005	1360	LBP 2251-1360 P1	254015	2210	LBP 2251-2210 P1	254025	3060	LBP 2251-3060 P1	254035
595	LBP 2251-0595 P1	254006	1445	LBP 2251-1445 P1	254016	2295	LBP 2251-2295 P1	254026	3145	LBP 2251-3145 P1	254036
680	LBP 2251-0680 P1	254007	1530	LBP 2251-1530 P1	254017	2380	LBP 2251-2380 P1	254027	3230	LBP 2251-3230 P1	254037
765	LBP 2251-0765 P1	254008	1615	LBP 2251-1615 P1	254018	2465	LBP 2251-2465 P1	254028	3315	LBP 2251-3315 P1	254038
850	LBP 2251-0850 P1	254009	1700	LBP 2251-1700 P1	254019	2550	LBP 2251-2550 P1	254029	3400	LBP 2251-3400 P1	254039

HEAVY DUTY LBP BELTS (Pitch 1" - 25.4 mm) WITH LOW NOISE ACCUMULATION ROLLERS

LBP 2251 P2



Version with one positioner

Backflex radius: 120 mm

Max load capacity: 38.000 N/m

Weight: 28.8 Kg/m²

Pin material: Acetal Resin (white)

Roller shaft material: Stainless Steel AISI 304

Standard length:

belt width ≤ 0.340mm: 1.524m belt length

belt width > 0.340mm, but ≤ 0.935mm: 0.762m belt length

belt width > 0.935mm: belt length on request

Standard material

LFG

Low Friction
Acetal Resin



Pages
4⇔7



Pages
321⇔323



Pages
340⇔343

Width W mm	Belts Ref.	Code	Width W mm	Belts Ref.	Code	Width W mm	Belts Ref.	Code	Width W mm	Belts Ref.	Code
85	LBP 2251-0085 P2	251900	935	LBP 2251-0935 P2	251910	1785	LBP 2251-1785 P2	251920	2635	LBP 2251-2635 P2	251930
170	LBP 2251-0170 P2	251901	1020	LBP 2251-1020 P2	251911	1870	LBP 2251-1870 P2	251921	2720	LBP 2251-2720 P2	251931
255	LBP 2251-0255 P2	251902	1105	LBP 2251-1105 P2	251912	1955	LBP 2251-1955 P2	251922	2805	LBP 2251-2805 P2	251932
340	LBP 2251-0340 P2	251903	1190	LBP 2251-1190 P2	251913	2040	LBP 2251-2040 P2	251923	2890	LBP 2251-2890 P2	251933
425	LBP 2251-0425 P2	251904	1275	LBP 2251-1275 P2	251914	2125	LBP 2251-2125 P2	251924	2975	LBP 2251-2975 P2	251934
510	LBP 2251-0510 P2	251905	1360	LBP 2251-1360 P2	251915	2210	LBP 2251-2210 P2	251925	3060	LBP 2251-3060 P2	251935
595	LBP 2251-0595 P2	251906	1445	LBP 2251-1445 P2	251916	2295	LBP 2251-2295 P2	251926	3145	LBP 2251-3145 P2	251936
680	LBP 2251-0680 P2	251907	1530	LBP 2251-1530 P2	251917	2380	LBP 2251-2380 P2	251927	3230	LBP 2251-3230 P2	251937
765	LBP 2251-0765 P2	251908	1615	LBP 2251-1615 P2	251918	2465	LBP 2251-2465 P2	251928	3315	LBP 2251-3315 P2	251938
850	LBP 2251-0850 P2	251909	1700	LBP 2251-1700 P2	251919	2550	LBP 2251-2550 P2	251929	3400	LBP 2251-3400 P2	251939

Other widths available on request.

MODULAR BELTS

Series

[2500 RR](#)

[2508](#)

[2630](#)

Pages

[174 ▶ 175](#)

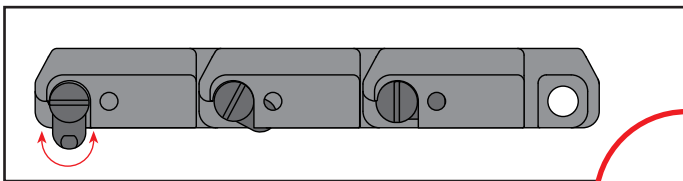
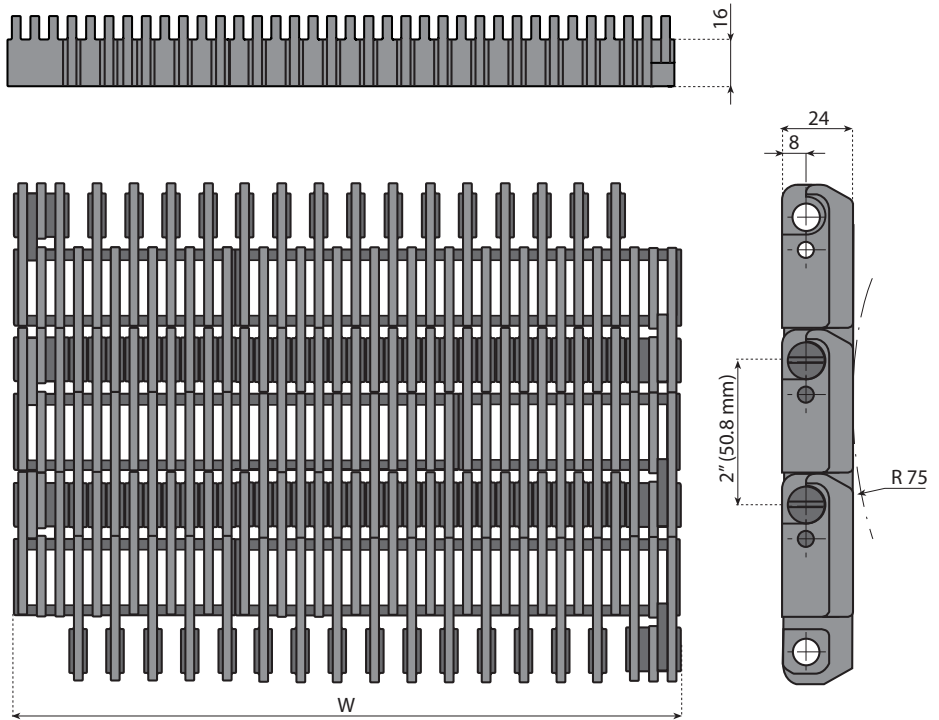
[176](#)

[177](#)

All our 2500 series belts have a pitch of 50.8 mm (2 inch) and a height of 24 mm.

BENEFITS AND FEATURES:

- **HIGH STRENGTH.**
- **OPTIMUM PRODUCT SUPPORT.**
- **EASY INSTALLATION AND MAINTENANCE WITH PIN-CLIP SYSTEM.**
- **STABILIZED MATERIAL.**
- **DESIGNED FOR WARMERS, COOLERS AND PASTEURIZERS FOR CANS AND PET BOTTLES.**



PATENTED

Backflex radius: 75 mm - 2.95 inch.
Max load capacity: 30.000 N/m - 2.056 lbs/ft
Weight: 9.2 Kg/m² - 218.3 lb/ft²
Pin material: Polypropylene
Belt Material: Polypropylene (dark grey)
Open Surface: 27%.
Standard length:
 belt width ≤ 15 inch: 3.048m belt length
 belt width > 15 inch: 1.016m belt length

Standard materials

PPG
Polypropylene Grey



Pages 4⇒7



Pages 327



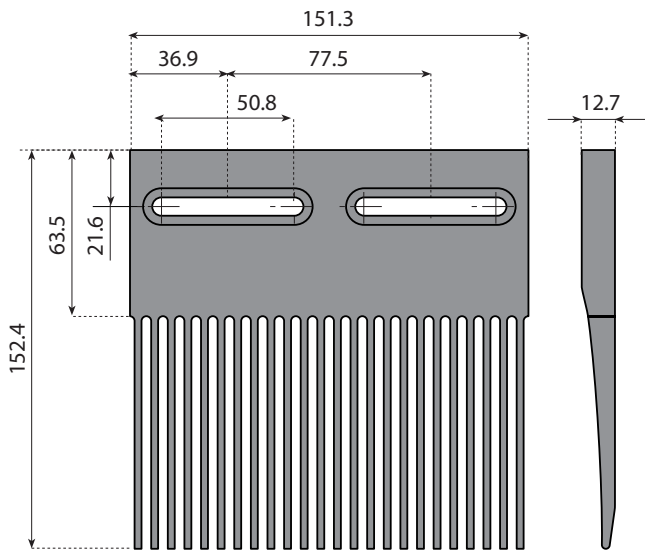
Pages 340⇒343

FOR BELTS AVAILABLE IN "LFG" MATERIAL JUST ADD "LFG" TO PART NUMBER (EXAMPLE "CODE 261252-LFG")

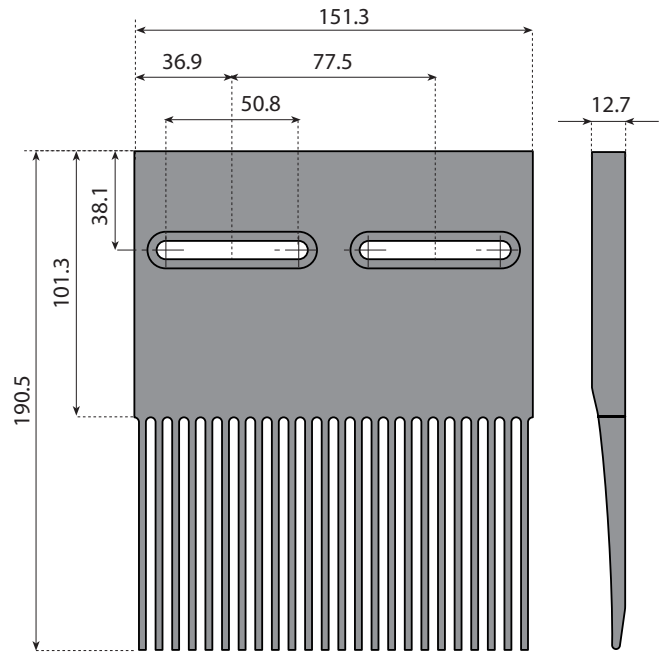
Width W		Belts Ref.	Code	Width W		Belts Ref.	Code	Width W		Belts Ref.	Code	Width W		Belts Ref.	Code
inch	mm			inch	mm			inch	mm			inch	mm		
9.00	229	2500-0009RR	261252	45.00	1143	2500-0045RR	261264	81.00	2057	2500-0081RR	261276	117.00	2972	2500-0117RR	261288
12.00	305	2500-0012RR	261253	48.00	1219	2500-0048RR	261265	84.00	2134	2500-0084RR	261277	120.00	3048	2500-0120RR	261289
15.00	381	2500-0015RR	261254	51.00	1295	2500-0051RR	261266	87.00	2210	2500-0087RR	261278	123.00	3124	2500-0123RR	261290
18.00	457	2500-0018RR	261255	54.00	1372	2500-0054RR	261267	90.00	2286	2500-0090RR	261279	126.00	3200	2500-0126RR	261291
21.00	533	2500-0021RR	261256	57.00	1448	2500-0057RR	261268	93.00	2362	2500-0093RR	261280	129.00	3277	2500-0129RR	261292
24.00	610	2500-0024RR	261257	60.00	1524	2500-0060RR	261269	96.00	2438	2500-0096RR	261281	132.00	3353	2500-0132RR	261293
27.00	686	2500-0027RR	261258	63.00	1600	2500-0063RR	261270	99.00	2515	2500-0099RR	261282	135.00	3429	2500-0135RR	261294
30.00	762	2500-0030RR	261259	66.00	1676	2500-0066RR	261271	102.00	2591	2500-0102RR	261283	138.00	3505	2500-0138RR	261295
33.00	838	2500-0033RR	261260	69.00	1753	2500-0069RR	261272	105.00	2667	2500-0105RR	261284	141.00	3581	2500-0141RR	261296
36.00	914	2500-0036RR	261261	72.00	1829	2500-0072RR	261273	108.00	2743	2500-0108RR	261285	144.00	3658	2500-0144RR	261297
39.00	991	2500-0039RR	261262	75.00	1905	2500-0075RR	261274	111.00	2819	2500-0111RR	261286	147.00	3734	2500-0147RR	261298
42.00	1067	2500-0042RR	261263	78.00	1981	2500-0078RR	261275	114.00	2896	2500-0114RR	261287	150.00	3810	2500-0150RR	261299

Other widths available on request.

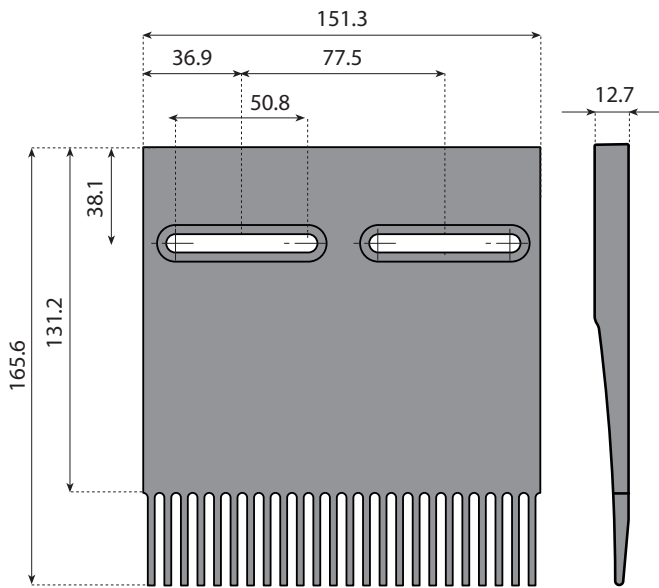
TYPE 1



TYPE 2



TYPE 3



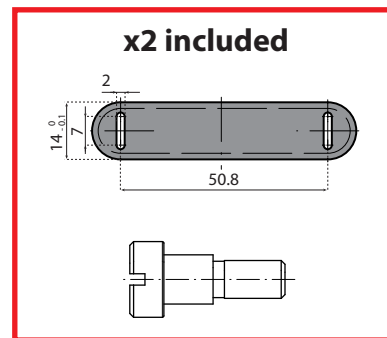
Reinforced

TYPE	CODE
1	14146
2	14147
3	14862

Material: acetal, dark grey.

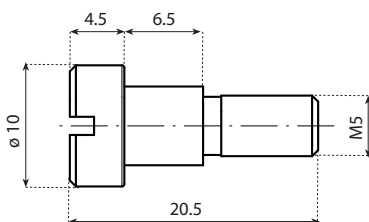
Note:

- Use shoulder screws (included) for fixing the comb to the conveyor construction.
- Two caps are supplied with each comb to cover the long holes.



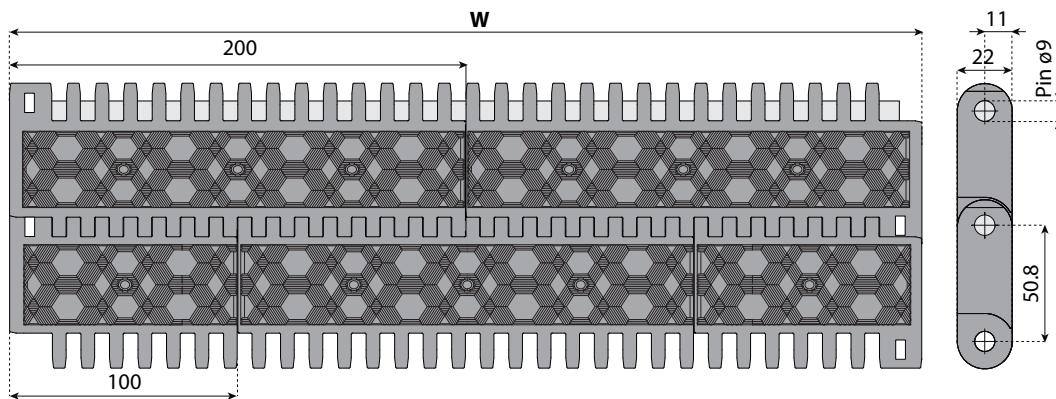
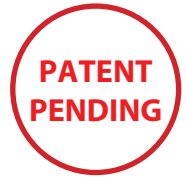
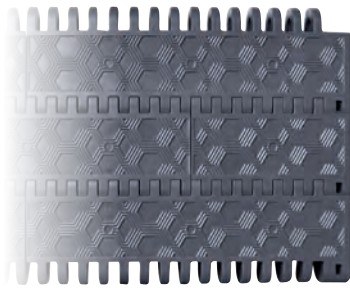
SHOULDER SCREWS

CODE
831915



Material: stainless steel.

Shoulder screws are designed to fix the combs to the conveyor construction, but still allow for horizontal movement of the combs. This is required to follow expansion and contraction of the belt. Please consult Technical Support for optimum positioning of the screws.



Version standard (LFG material)

Strength and weight data for other materials available on request.

Backflex radius: 55 mm

Max load capacity: 80 kN/m

Weight: 22.5 kg/m²

Standard length:

Belt width ≤ 800 mm: 20 pitches (1.016 m)

Belt width > 800 mm: 15 pitches (0.762 m)

Pin material: PBT (white).

Steel pins optionally available.

Standard materials

LFG	PPLG
Low Friction Acetal Resin Dark Grey	Polypropylene Light Grey

Other possible materials

POM-AS	POM-EC	PP-FR-EC
Anti-static Acetal Black	Electrically Conductive Acetal Black	Flame Retardant Electrically Conductive Polypropylene Black



Pages
4→7



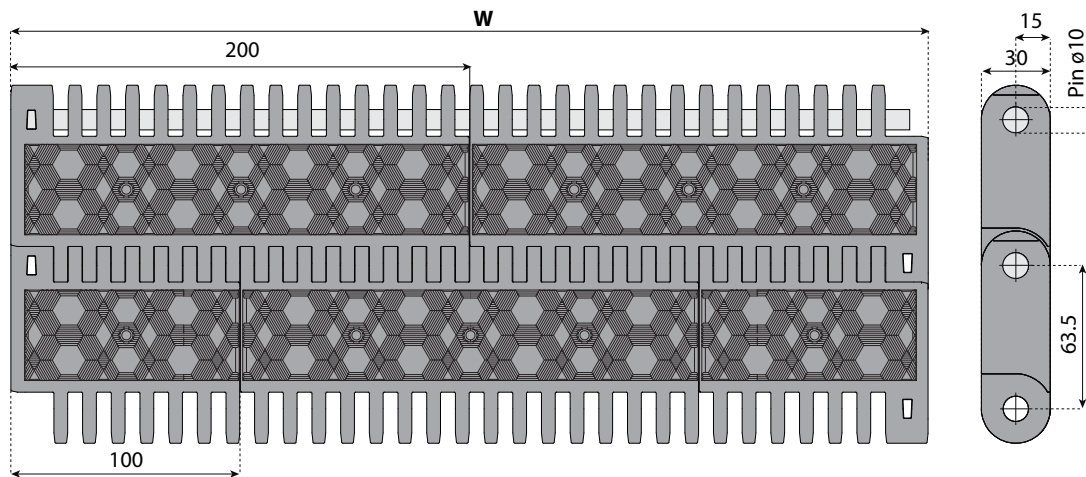
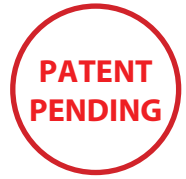
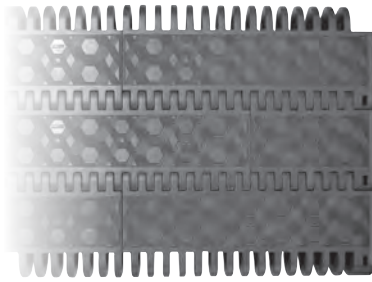
Pages
328



Pages
340→343

THE CODES BELOW ARE FOR BELTS IN LFG MATERIAL AND WITH PBT PINS. FOR BELTS IN PPLG, JUST ADD "PPLG" TO THE PART NUMBER (example code 26652-PPLG)

Width W mm	Belts Ref.	Code	Width W mm	Belts Ref.	Code	Width W mm	Belts Ref.	Code	Width W mm	Belts Ref.	Code	Width W mm	Belts Ref.	Code
-	-	-	1100	2508-1100 HD	26660	2100	2508-2100 HD	26670	3100	2508-3100 HD	26680	4100	2508-4100 HD	26690
-	-	-	1200	2508-1200 HD	26661	2200	2508-2200 HD	26671	3200	2508-3200 HD	26681	4200	2508-4200 HD	26691
300	2508-0300 HD	26652	1300	2508-1300 HD	26662	2300	2508-2300 HD	26672	3300	2508-3300 HD	26682	4300	2508-4300 HD	26692
400	2508-0400 HD	26653	1400	2508-1400 HD	26663	2400	2508-2400 HD	26673	3400	2508-3400 HD	26683	4400	2508-4400 HD	26693
500	2508-0500 HD	26654	1500	2508-1500 HD	26664	2500	2508-2500 HD	26674	3500	2508-3500 HD	26684	4500	2508-4500 HD	26694
600	2508-0600 HD	26655	1600	2508-1600 HD	26665	2600	2508-2600 HD	26675	3600	2508-3600 HD	26685	4600	2508-4600 HD	26695
700	2508-0700 HD	26656	1700	2508-1700 HD	26666	2700	2508-2700 HD	26676	3700	2508-3700 HD	26686	4700	2508-4700 HD	26696
800	2508-0800 HD	26657	1800	2508-1800 HD	26667	2800	2508-2800 HD	26677	3800	2508-3800 HD	26687	4800	2508-4800 HD	26697
900	2508-0900 HD	26658	1900	2508-1900 HD	26668	2900	2508-2900 HD	26678	3900	2508-3900 HD	26688	4900	2508-4900 HD	26698
1000	2508-1000 HD	26659	2000	2508-2000 HD	26669	3000	2508-3000 HD	26679	4000	2508-4000 HD	26689	5000	2508-5000 HD	26699



Version standard (LFG material)

Strength and weight data for other materials available on request.

Backflex radius: 60 mm

Max load capacity: 115 kN/m

Weight: 29.5 kg/m²

Standard length:

Belt width ≤ 800 mm: 16 pitches (1.016 m)

Belt width > 800 mm: 12 pitches (0.762 m)

Pin material: PBT (white).

Steel pins optionally available.

Standard materials

LFG	PPLG
Low Friction Acetal Resin Dark Grey	Polypropylene Light Grey

Other possible materials

POM-AS	POM-EC	PP-FR-EC
Anti-static Acetal Black	Electrically Conductive Acetal Black	Flame Retardant Electrically Conductive Polypropylene Black



Pages
4→7



Pages
328



Pages
340→343

THE CODES BELOW ARE FOR BELTS IN LFG MATERIAL AND WITH PBT PINS. FOR BELTS IN PPLG, JUST ADD "PPLG" TO THE PART NUMBER (example code 26700-PPLG)

Width W mm	Belts Ref.	Code	Width W mm	Belts Ref.	Code	Width W mm	Belts Ref.	Code	Width W mm	Belts Ref.	Code	Width W mm	Belts Ref.	Code
100	2630-0100 XHD	26700	1100	2630-1100 XHD	26710	2100	2630-2100 XHD	26720	3100	2630-3100 XHD	26730	4100	2630-4100 XHD	26740
-	-	-	1200	2630-1200 XHD	26711	2200	2630-2200 XHD	26721	3200	2630-3200 XHD	26731	4200	2630-4200 XHD	26741
300	2630-0300 XHD	26702	1300	2630-1300 XHD	26712	2300	2630-2300 XHD	26722	3300	2630-3300 XHD	26732	4300	2630-4300 XHD	26742
400	2630-0400 XHD	26703	1400	2630-1400 XHD	26713	2400	2630-2400 XHD	26723	3400	2630-3400 XHD	26733	4400	2630-4400 XHD	26743
500	2630-0500 XHD	26704	1500	2630-1500 XHD	26714	2500	2630-2500 XHD	26724	3500	2630-3500 XHD	26734	4500	2630-4500 XHD	26744
600	2630-0600 XHD	26705	1600	2630-1600 XHD	26715	2600	2630-2600 XHD	26725	3600	2630-3600 XHD	26735	4600	2630-4600 XHD	26745
700	2630-0700 XHD	26706	1700	2630-1700 XHD	26716	2700	2630-2700 XHD	26726	3700	2630-3700 XHD	26736	4700	2630-4700 XHD	26746
800	2630-0800 XHD	26707	1800	2630-1800 XHD	26717	2800	2630-2800 XHD	26727	3800	2630-3800 XHD	26737	4800	2630-4800 XHD	26747
900	2630-0900 XHD	26708	1900	2630-1900 XHD	26718	2900	2630-2900 XHD	26728	3900	2630-3900 XHD	26738	4900	2630-4900 XHD	26748
1000	2630-1000 XHD	26709	2000	2630-2000 XHD	26719	3000	2630-3000 XHD	26729	4000	2630-4000 XD	26739	5000	2630-5000 XHD	26749

CHAINBELT FOR TAB AND MAGNETIC SYSTEM

Series

Pages

[2120M](#)

[183](#)

[2250 M FT - 2250 M FG](#)

[2260 M FT - 2250 TAB FT](#)

[180](#) → [181](#)

for TAB and magnetic system

[2251 M FT - 2251 TAB FT](#)

[182](#)

for TAB and magnetic system

BENEFITS:

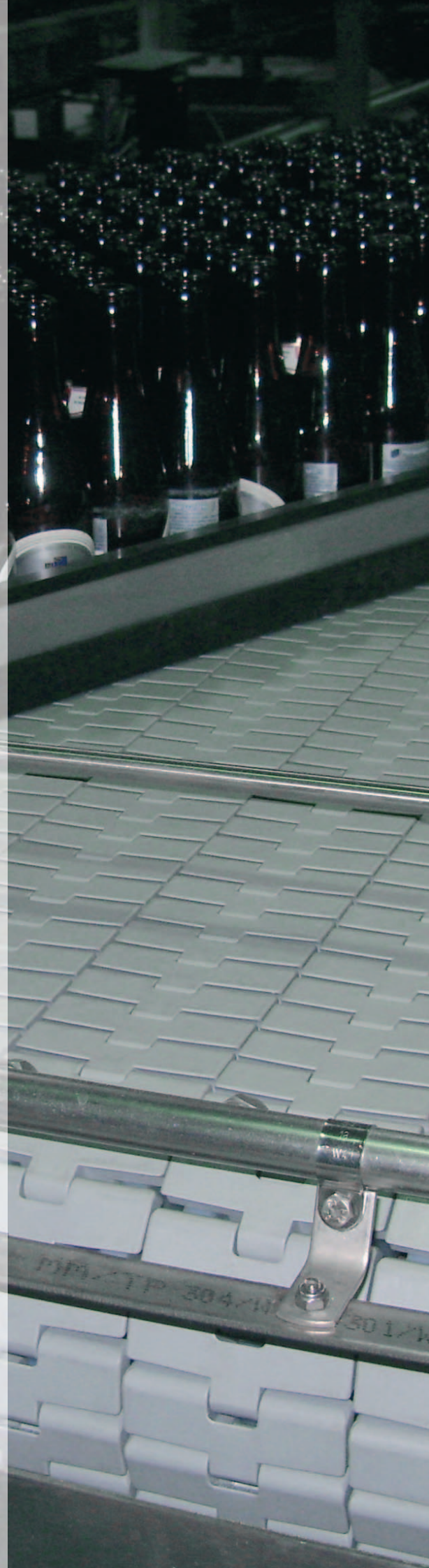
- **HIGH STRENGTH AND HEAVY DUTY FLIGHT DESIGN. THE CHAIN MATERIAL THICKNESS AND HINGE DESIGN ENSURE A HIGH WORKING LOAD CAPACITY.**
- **STANDARDISATION IN CONVEYOR DESIGN. THE CHAIN BELTS HAVE THE SAME THICKNESS AS THE 2250 - 2251 SERIES BELTS.**
- **EASY INSTALLATION.**
- **OPTIMUM PRODUCT STABILITY. THE TOP PLATE DESIGN AND 1" pitch ALLOWS FOR A MAXIMUM SUPPORT AREA AND SMOOTH PRODUCT TRANSFER.**

FOR MAGNETIC TYPES:

- **EASY INSTALLATION. NO TABS OR BEVEL. ALLOWS CHAIN TO BE INSTALLED AND REMOVED QUICKLY.**

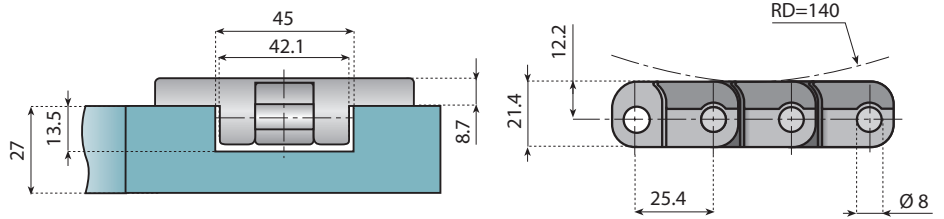
FEATURES:

THIS SYSTEM OFFERS A UNIQUE SOLUTION FOR SIDEFLEXING APPLICATIONS IN PLANTS WITH MODULAR CONVEYOR BELTS.

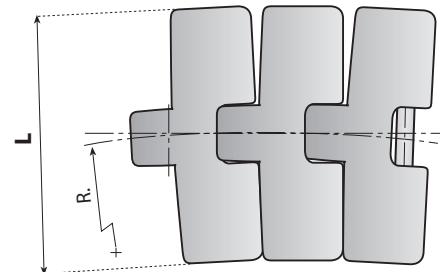


2250 M FT

SIDEFLEXING FLAT TOP CHAINBELT FOR MAGNETIC SYSTEM



"NOLU-S" CURVES
ARE STRONGLY RECOMMENDED
WITH THESE CHAINS!



Standard materials

LFG	NGG
Low Friction Acetal Resin	New Generation

Applications:

The chainbelt magnetic system with closed top plates is best suited for conveying glass and pet containers (for example PET bottles with petaloid base).

Pin Material: Ferritic Stainless Steel



Pages
4→7



Pages
324→325



Pages
238→244

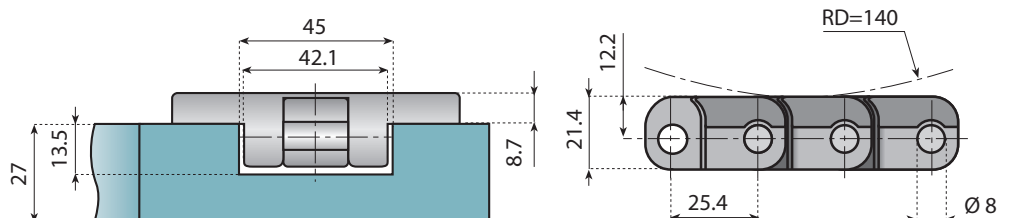
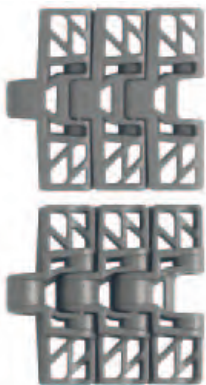


Pages
340→343

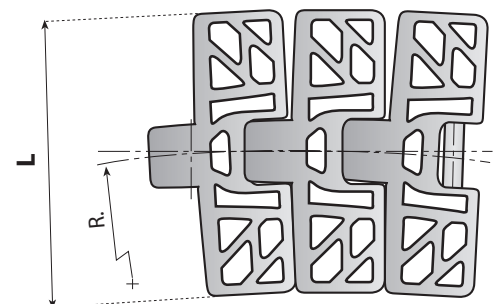
Belts - Ref.	Code	Material	Width L		R min.	Max load capacity N	Weight Kg/m
			mm	inch			
LFG 2250 M K330 FT	11320	LFG Dark Grey	83.8	3 ¹ / ₄	500	2.000	1.66
NGG 2250 M K330 FT	11320NGG	NGG Light Grey					

2250 M FG

SIDEFLEXING FLUSH GRID CHAINBELT FOR MAGNETIC SYSTEM



"NOLU-S" CURVES
ARE STRONGLY RECOMMENDED
WITH THESE CHAINS!



Standard materials

LFG	NGG
Low Friction Acetal Resin	New Generation

Applications:

Flush Grid chainbelt for magnetic system with 20% open area is ideal for can conveying applications.

Pin Material: Ferritic Stainless Steel



Pages
4→7



Pages
324→325



Pages
238→244

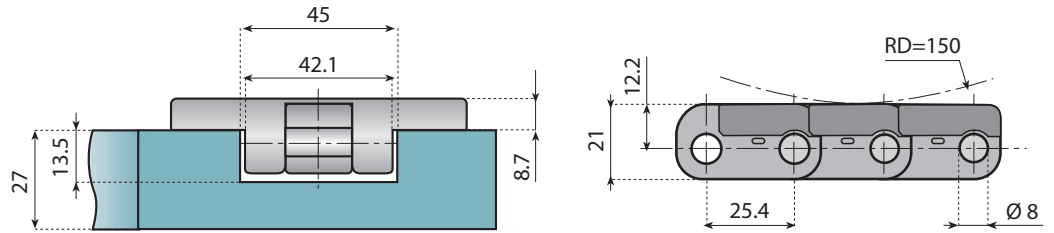


Pages
340→343

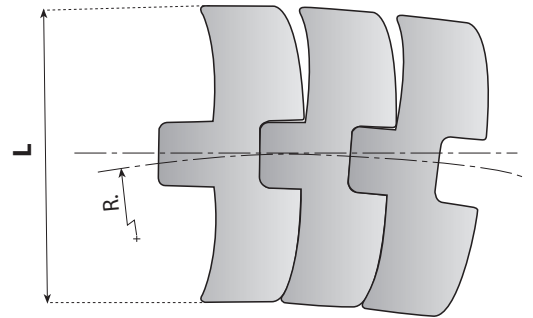
Belts - Ref.	Code	Material	Width L		R min.	Max load capacity N	Weight Kg/m
			mm	inch			
LFG 2250 M K330 FG	11321	LFG Dark Grey	83.8	3 ¹ / ₄	500	1.900	1.65
NGG 2250 M K330 FG	11321NGG	NGG Light Grey					

Standard length: 120 pitches (10 ft. - 3.048 m)

Pin material: Ferritic Stainless Steel



**"NOLU-S" CURVES
ARE STRONGLY RECOMMENDED
WITH THESE CHAINS!**



Standard materials

LFG	NGG
Low Friction Acetal Resin	New Generation

Applications:

The chainbelt magnetic system with closed top plates is best suited for conveying glass and pet containers (for example PET bottles with petaloid base).

Pin Material: Ferritic Stainless Steel



Pages 4→7



Pages 324→325

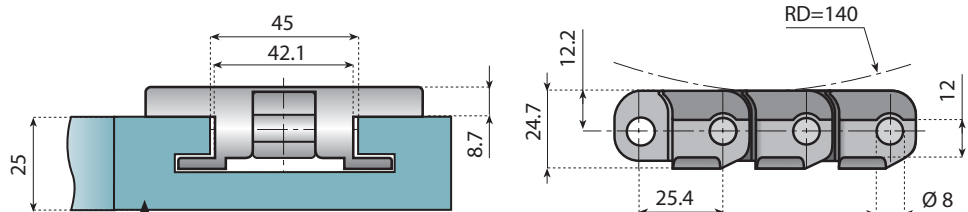


Pages 238→242



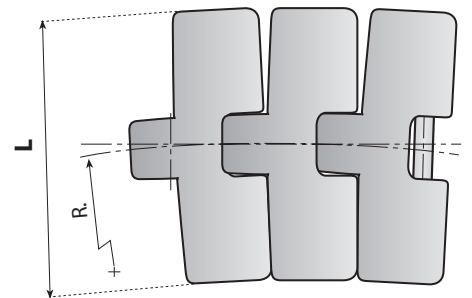
Pages 340→343

Belts - Ref.	Code	Material	Width L		R min.	Max load capacity N	Weight Kg/m
			mm	inch			
LFG 2260 M K330 FT	11329	LFG Dark Grey	83.8	3 ¹ / ₄	500	2.000	1.66
NGG 2260 M K330 FT	11329NGG	NGG Light Grey					



STANDARD TRACKS FOR TAB SYSTEM

**"NOLU-S" CURVES
ARE STRONGLY RECOMMENDED
WITH THESE CHAINS!**



Standard materials

LFG	NGG
Low Friction Acetal Resin	New Generation

Applications:

The chainbelt magnetic system with closed top plates is best suited for conveying glass and pet containers (for example PET bottles with petaloid base).

Pin material: Austenic Steel



Pages 4→7



Pages 324→325



Pages 256+261



Pages 265+267



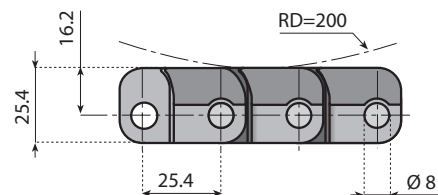
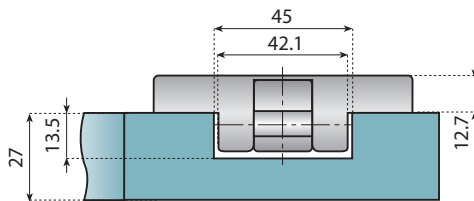
Pages 340→343

Belts - Ref.	Code	Material	Width L		R min.	Max load capacity N	Weight Kg/m
			mm	inch			
LFG 2250 TAB K330 FT	11323	LFG Dark Grey	83.8	3 ¹ / ₄	500	2.000	1.75
NGG 2250 TAB K330 FT	11323NGG	NGG Light Grey					
LFG 2250 TAB K450 FT	11324	LFG Dark Grey	114.3	4 ¹ / ₂	500	2.000	2.04
NGG 2250 TAB K450 FT	11324NGG	NGG Light Grey					

Standard length: 120 pitches (10 ft. - 3.048 m)

Pin material: Ferritic Stainless Steel

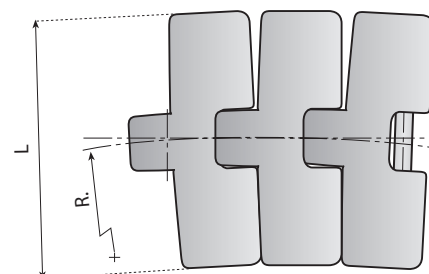
2251 M FT HEAVY DUTY SIDEFLEXING FLAT TOP CHAINBELT FOR MAGNETIC SYSTEM



"NOLU-S" CURVES
ARE STRONGLY RECOMMENDED
WITH THESE CHAINS!

Standard materials

LFG	NGG
Low Friction Acetal Resin	New Generation



Applications:

The chainbelt magnetic system with closed top plates is best suited for conveying glass and PET containers (for example PET bottles with petaloid base).

Pin Material:

Martensitic Stainless Steel



Pages 4-7



Pages 324-325



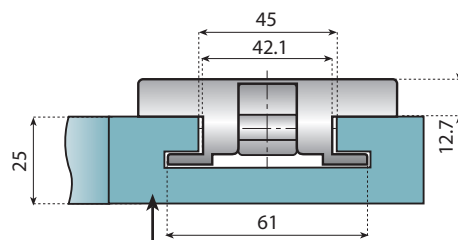
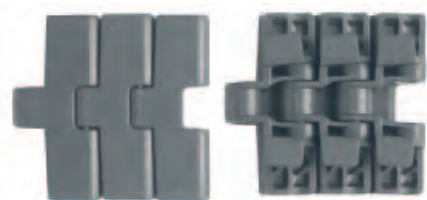
Pages 245-251



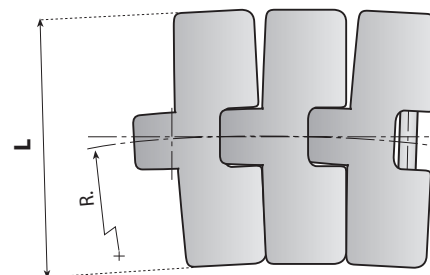
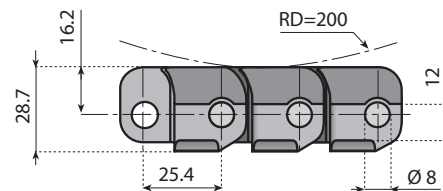
Pages 340-343

Belts - Ref.	Code	Material	Width L		R min.	SC	Max load capacity N	Weight Kg/m
			mm	inch				
LFG 2251 M K330 FT	11322	LFG Dark Grey	83.8	3 ¹⁵ / ₆₄	500	45	2000	1.90
NGG 2251 M K330 FT	11322NGG	NGG Light Grey						
LFG 2251 M K450 FT	11328	LFG Dark Grey	114.3	4 ¹ / ₂				2.19
NGG 2251 M K450 FT	11328NGG	NGG Light Grey						

2251 TAB FT HEAVY DUTY SIDEFLEXING FLAT TOP CHAINBELT FOR TAB SYSTEM



STANDARD TRACKS FOR TAB SYSTEM



Standard materials

LFG	NGG
Low Friction Acetal Resin	New Generation

Applications:

The chainbelt with closed top plates is best suited for conveying glass and PET containers (for example PET bottles with petaloid base).

Pin Material:

Martensitic Stainless Steel



Pages 4-7



Pages 324-325



Pages 253-261



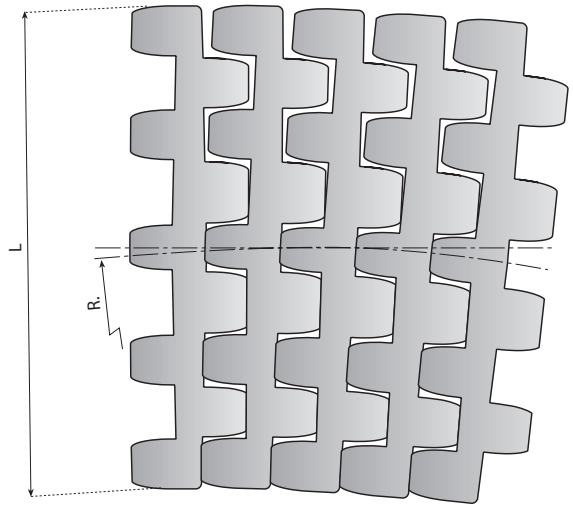
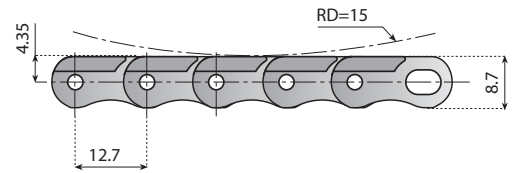
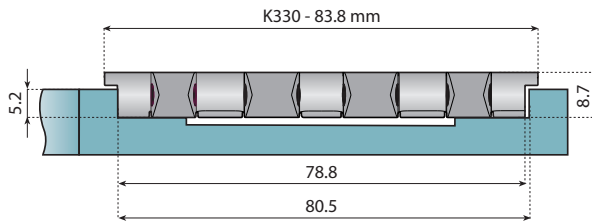
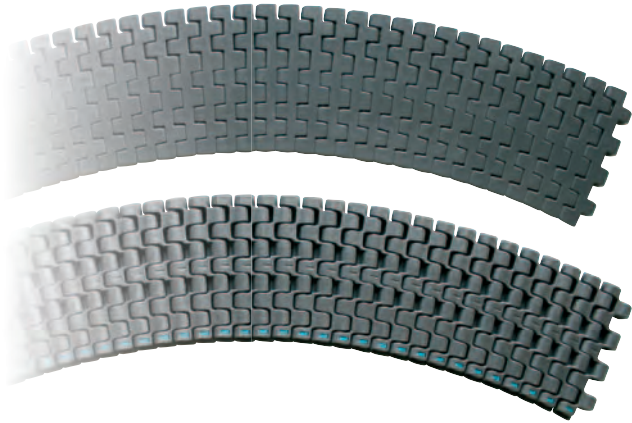
Pages 265-267



Pages 340-343

Belts - Ref.	Code	Material	Width L		R min.	SC	Max load capacity N	Weight Kg/m
			mm	inch				
LFG 2251 TAB K330 FT	11325	LFG Dark Grey	83.8	3 ¹⁵ / ₆₄	500	45	2000	1.75
NGG 2251 TAB K330 FT	11325NGG	NGG Light Grey						
LFG 2251 TAB K450 FT	11326	LFG Dark Grey	114.3	4 ¹ / ₂				2.19
NGG 2251 TAB K450 FT	11326NGG	NGG Light Grey						

Standard length: 120 pitches (10 ft. - 3.048 m)



Sideflexing belt for magnetic system

Features:

This system offers a new and unique solution for sideflexing applications in plants with modular conveyors.

Applications:

- To be used in the dry end of the line where bottles or cans run in lanes separated by guides.
- The short pitch makes in-line transfers possible.

Standard length:

240 pitches (10 ft - 3.048 m)

Weight: 13.7 kg/m² - 2.8 lb/ft²

Pin material:

Ferritic Stainless Steel

Standard materials

LFG	NGG
Low Friction Acetal Resin	New Generation



Pages 4⇒7



Pages 231⇒237



Pages 312⇒314 +316



Pages 340⇒343

Belts - Ref.	Code	Material	Width L		R min.	Max load capacity N	Weight Kg/m
			mm	inch			
LFG 2120 M K330	11340	LFG Dark Grey	83.8	3.30	500	2500	1.11
NGG 2120 M K330	11340NGG	NGG Light Grey				2100	

Standard length: 240 pitches (10 ft. - 3.048 m)

Plastic modular side flex belt

Series

Pages

[2256](#)

[186](#) → [187](#)

[2256 VG](#)

[188](#) → [189](#)

[2351 STANDARD](#)

[190](#) + [195](#)

[2351 VG](#)

[194](#) + [195](#)

[2451 HEAVY DUTY](#)

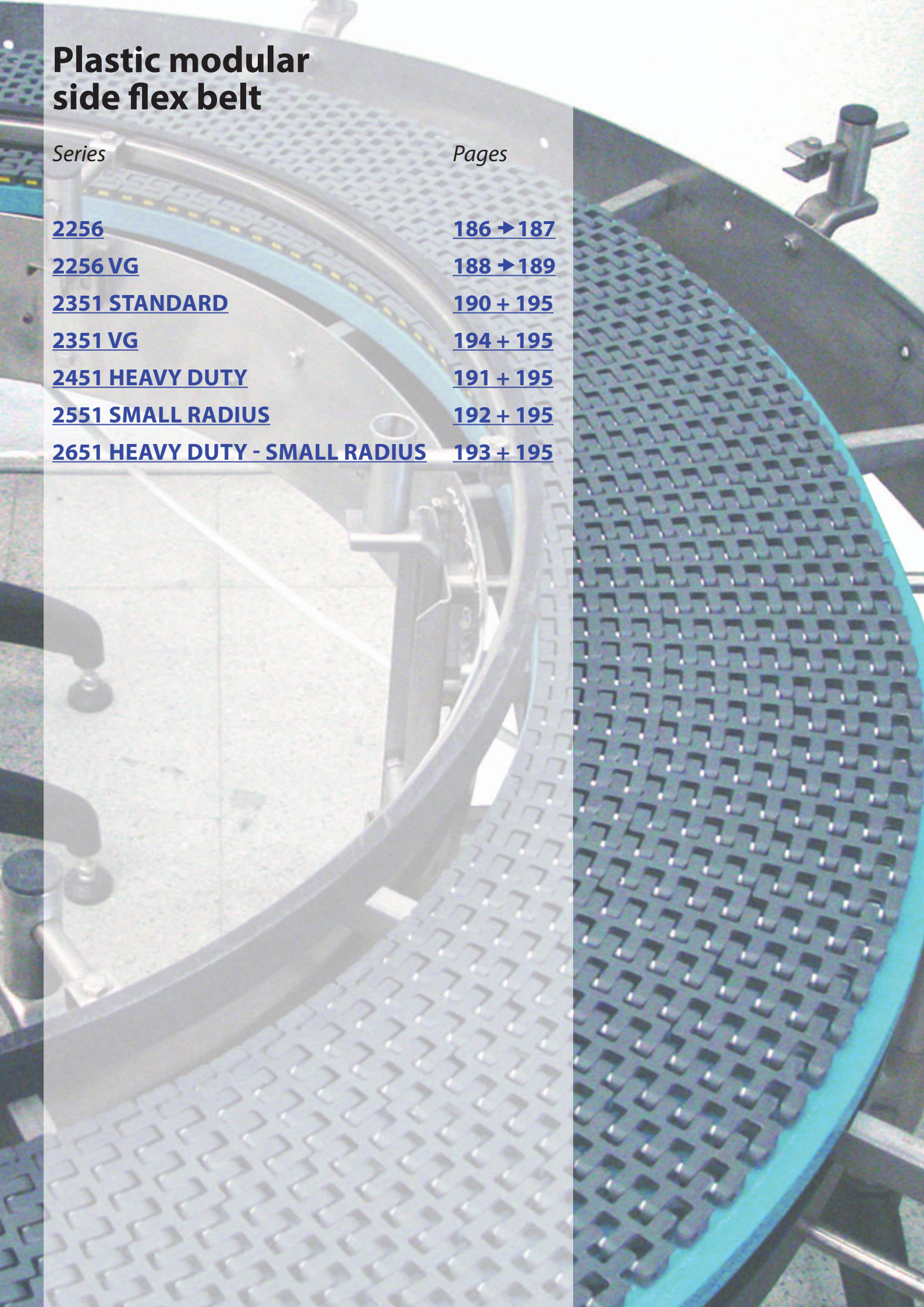
[191](#) + [195](#)

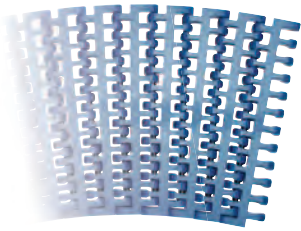
[2551 SMALL RADIUS](#)

[192](#) + [195](#)

[2651 HEAVY DUTY - SMALL RADIUS](#)

[193](#) + [195](#)





This belt is bi-directional and can make both left and right turns. Even S-curves are possible if the load allows for that.

The belt is available with several clips and guiding systems:

C-version: just a clip for pin retention;

S-version: attached to the pin retention clip is a slider shoe that can reduce friction and act as a wear part;

T-version: attached to the pin retention clip is a TAB that holds the belt down in the curves;

TP-version: attached to the pin retention clip is a TAB-Positioner combination that holds the belt down in the curves but also guides the belt on straight sections.

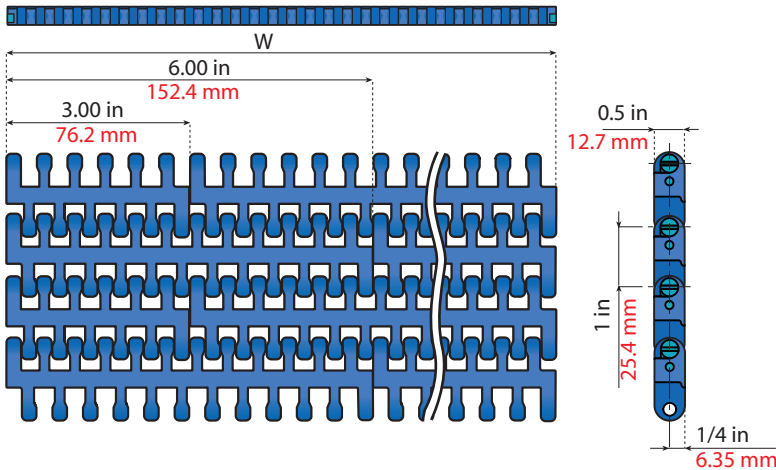
For BELTS AVAILABLE IN "NGG" material just add "NGG" to part number (example "code 26625-NGG")

Standard Material

LFB
Low Friction Acetal <small>(standard material color Blue)</small>

On request and for adequate quantities these belts can be produced in:

LFG	NGG
Low Friction Acetal Resin	New Generation



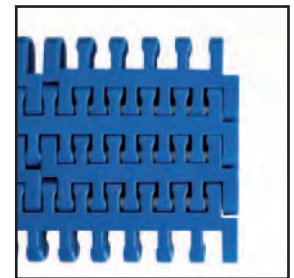
Weight: 8.3 Kg/m² - 1.7 lb/ft²

Pin material: PBT (white)

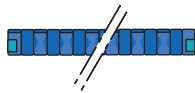
Standard length:

belt width ≤ 24 inch: 3.048m belt length

belt width > 24 inch: 1.524m belt length



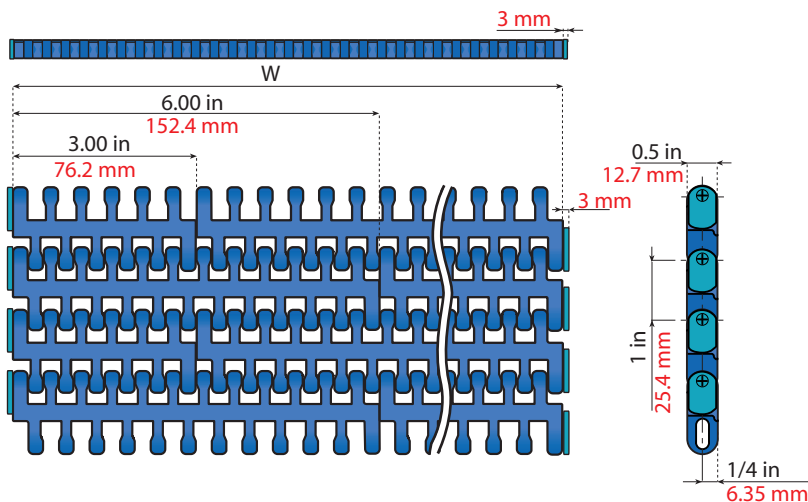
**WITHOUT TAB
"C" Version**



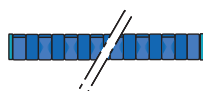
Width W inch	Width W mm	Belts Ref.	Code	Side Flex radius minimum mm	Max load capacity		Back flex radius mm	Weight Kg/m ²
					Straight N/m	Curve N		
3.00	76	LFB-2256-0003-C	26601	145	30.000	2.000	25	7.75
6.00	152	LFB-2256-0006-C	26602	290				
9.00	229	LFB-2256-0009-C	26603	435				
12.00	305	LFB-2256-0012-C	26604	580				
15.00	381	LFB-2256-0015-C	26605	725				
18.00	457	LFB-2256-0018-C	26606	890				
21.00	533	LFB-2256-0021-C	26607	1040				
24.00	610	LFB-2256-0024-C	26608	1250				

MATERIAL Pages 4→7 Pages 326 Pages 340→343

Other widths available on request.

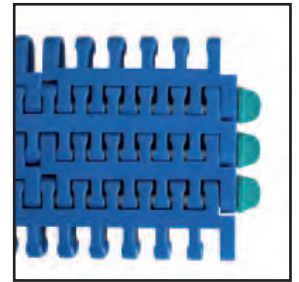
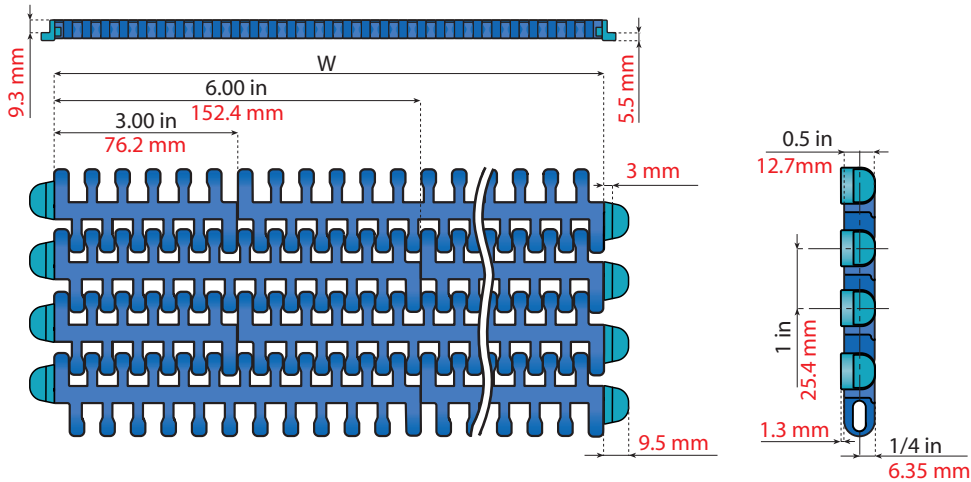


**WITH SLIDER SHOE
"S" Version**

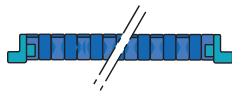


Width W inch	Width W mm	Belts Ref.	Code	Side Flex radius minimum mm	Max load capacity		Back flex radius mm	Weight Kg/m ²
					Straight N/m	Curve N		
3.00	76	LFB-2256-0003-S	26625	145	30.000	2.000	25	7.75
6.00	152	LFB-2256-0006-S	26626	290				
9.00	229	LFB-2256-0009-S	26627	435				
12.00	305	LFB-2256-0012-S	26628	580				
15.00	381	LFB-2256-0015-S	26629	725				
18.00	457	LFB-2256-0018-S	26630	890				
21.00	533	LFB-2256-0021-S	26631	1040				
24.00	610	LFB-2256-0024-S	26632	1250				

Other widths available on request.

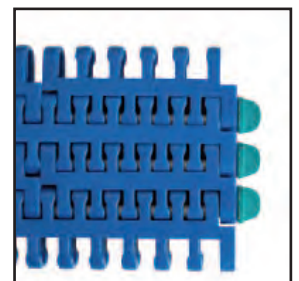
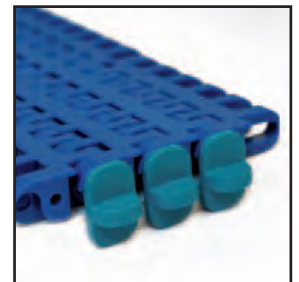
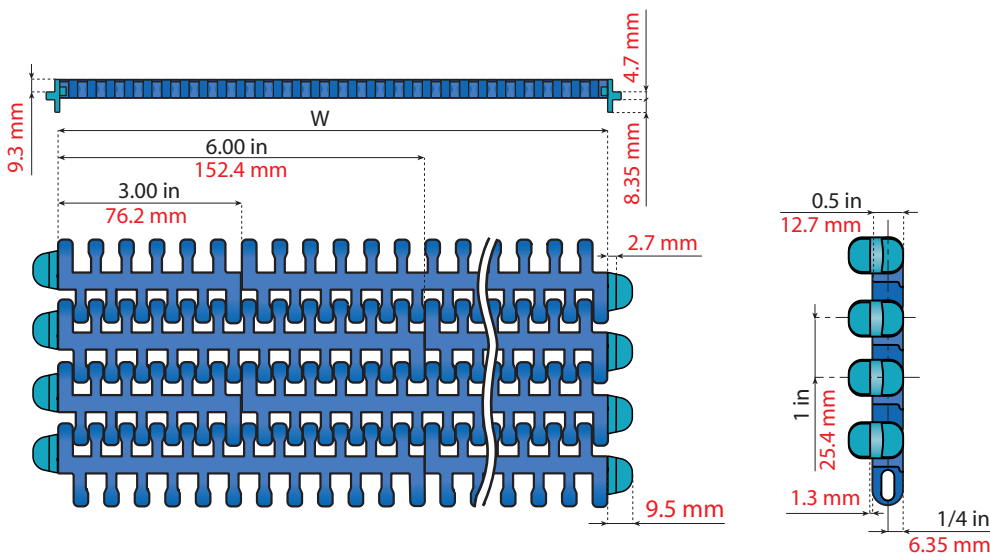


**WITH TAB
"T" Version**

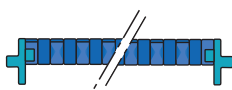


Width W inch	Width W mm	Belts Ref.	Code	Side Flex radius minimum mm	Max load capacity		Back flex radius mm	Weight Kg/m ²
					Straight N/m	Curve N		
3.00	76	LFB-2256-0003-T	26609	145	30.000	2.000	25	7.75
6.00	152	LFB-2256-0006-T	26610	290				
9.00	229	LFB-2256-0009-T	26611	435				
12.00	305	LFB-2256-0012-T	26612	580				
15.00	381	LFB-2256-0015-T	26613	725				
18.00	457	LFB-2256-0018-T	26614	890				
21.00	533	LFB-2256-0021-T	26615	1040				
24.00	610	LFB-2256-0024-T	26616	1250				

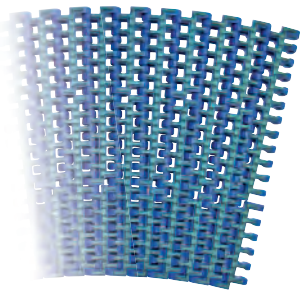
Other widths available on request.



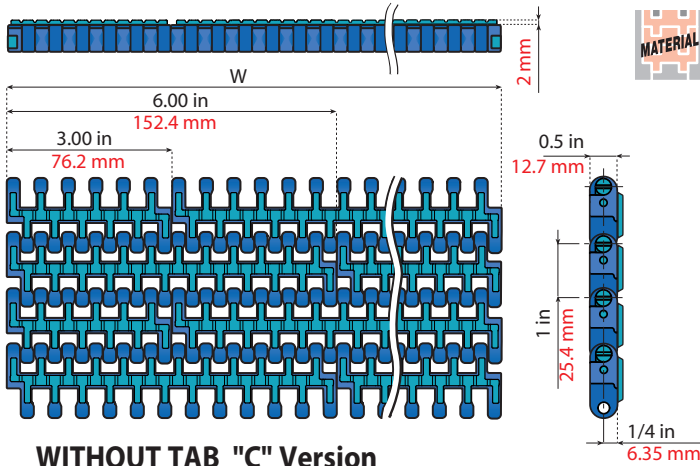
**WITH TAB
AND POSITIONER
"TP" Version**



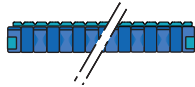
Width W inch	Width W mm	Belts Ref.	Code	Side Flex radius minimum mm	Max load capacity		Back flex radius mm	Weight Kg/m ²
					Straight N/m	Curve N		
3.00	76	LFB-2256-0003-TP	26617	145	30.000	2.000	25	7.75
6.00	152	LFB-2256-0006-TP	26618	290				
9.00	229	LFB-2256-0009-TP	26619	435				
12.00	305	LFB-2256-0012-TP	26620	580				
15.00	381	LFB-2256-0015-TP	26621	725				
18.00	457	LFB-2256-0018-TP	26622	890				
21.00	533	LFB-2256-0021-TP	26623	1040				
24.00	610	LFB-2256-0024-TP	26624	1250				



This belt is bi-directional and can make both left and right turns. Even S-curves are possible if the load allows for that. The belt is available with several clips and guiding systems:
C-version: just a clip for pin retention;
S-version: attached to the pin retention clip is a slider shoe that can reduce friction and act as a wear part;
T-version: attached to the pin retention clip is a TAB that holds the belt down in the curves;
TP-version: attached to the pin retention clip is a TAB-Positioner combination that holds the belt down in the curves but also guides the belt on straight sections.



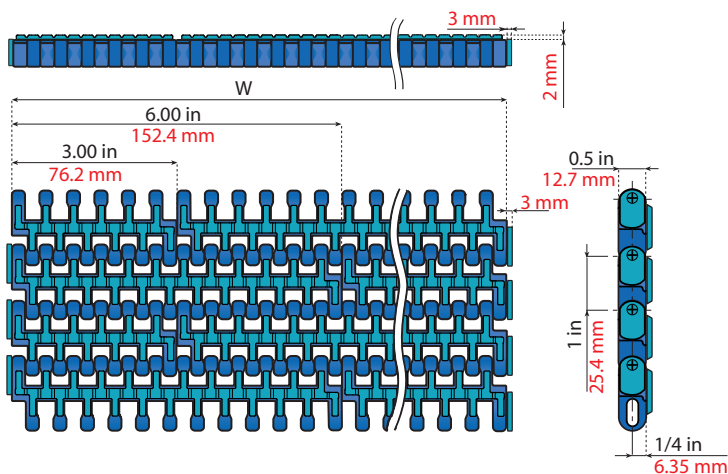
WITHOUT TAB "C" Version



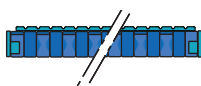
Belt material: low friction acetal resin, dark blue colour
Rubber material: thermoplastic rubber, waterblue colour
Pin material: PBT (white)
Standard length:
 belt width ≤ 24 inch: 3.048m belt length
 belt width > 24 inch: 1.524 belt length

Width W inch	Width W mm	Belts Ref.	Code	Side Flex radius minimum mm	Max load capacity		Back flex radius mm	Weight Kg/m ²
					Straight N/m	Curve N		
3.00	76	VG-2256-0003-C	26751	145	30.000	2.000	25	7.75
6.00	152	VG-2256-0006-C	26752	290				
9.00	229	VG-2256-0009-C	26753	435				
12.00	305	VG-2256-0012-C	26754	580				
15.00	381	VG-2256-0015-C	26755	725				
18.00	457	VG-2256-0018-C	26756	890				
21.00	533	VG-2256-0021-C	26757	1040				
24.00	610	VG-2256-0024-C	26758	1250				

Other widths available on request.



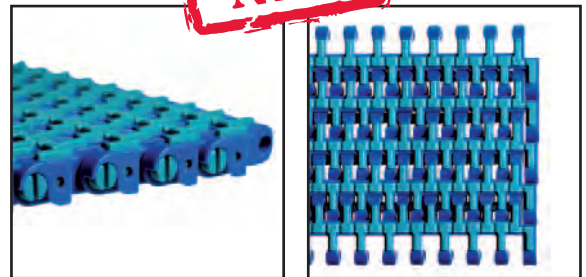
WITH SLIDER SHOE "S" Version



Width W inch	Width W mm	Belts Ref.	Code	Side Flex radius minimum mm	Max load capacity		Back flex radius mm	Weight Kg/m ²
					Straight N/m	Curve N		
3.00	76	VG-2256-0003-S	26787	145	30.000	2.000	25	7.75
6.00	152	VG-2256-0006-S	26788	290				
9.00	229	VG-2256-0009-S	26789	435				
12.00	305	VG-2256-0012-S	26790	580				
15.00	381	VG-2256-0015-S	26791	725				
18.00	457	VG-2256-0018-S	26792	890				
21.00	533	VG-2256-0021-S	26793	1040				
24.00	610	VG-2256-0024-S	26794	1250				

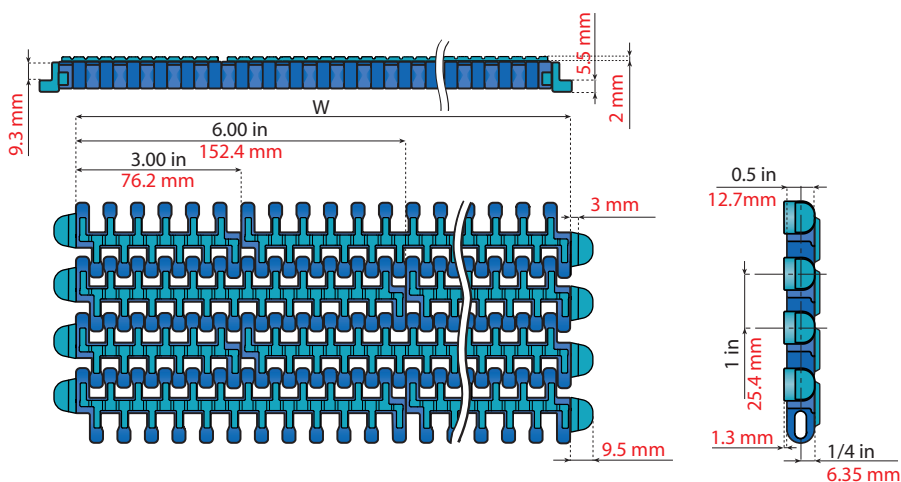
Other widths available on request.

MATERIAL Pages 4→7 Pages 326 Pages 340→343

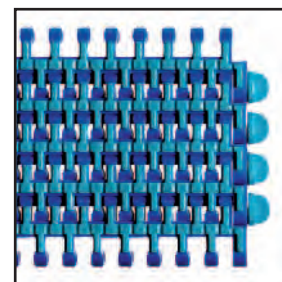


Standard Material

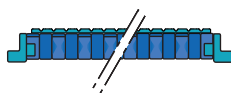
LFB
Low Friction Acetal (standard material color Blue)
TPR
Thermoplastic Rubber



NEW

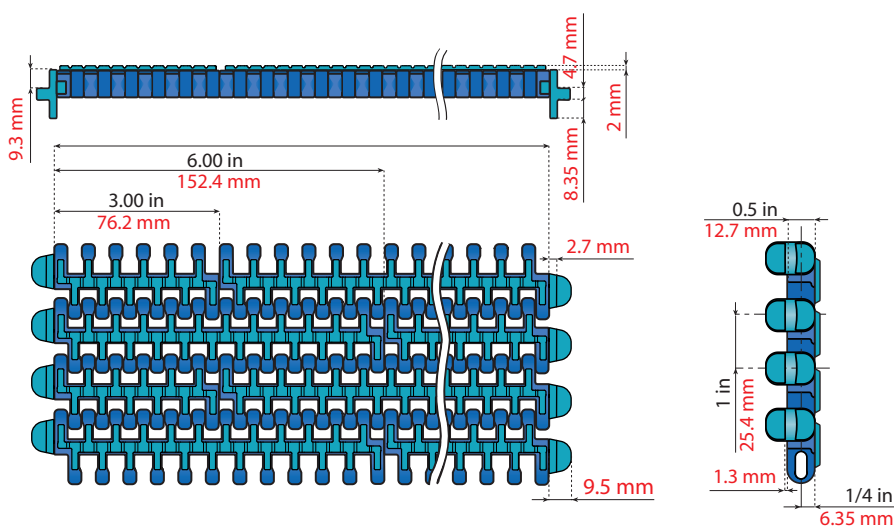


**WITH TAB
"T" Version**

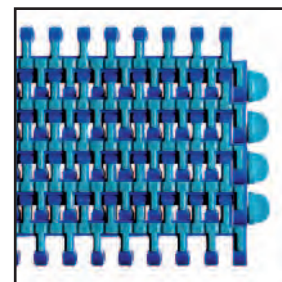


Width W inch	Width W mm	Belts Ref.	Code	Side Flex radius minimum mm	Max load capacity		Back flex radius mm	Weight Kg/m ²
					Straight N/m	Curve N		
3.00	76	VG-2256-0003-T	26763	145	30.000	2.000	25	7.75
6.00	152	VG-2256-0006-T	26764	290				
9.00	229	VG-2256-0009-T	26765	435				
12.00	305	VG-2256-0012-T	26766	580				
15.00	381	VG-2256-0015-T	26767	725				
18.00	457	VG-2256-0018-T	26768	890				
21.00	533	VG-2256-0021-T	26769	1040				
24.00	610	VG-2256-0024-T	26770	1250				

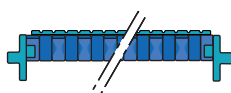
Other widths available on request.



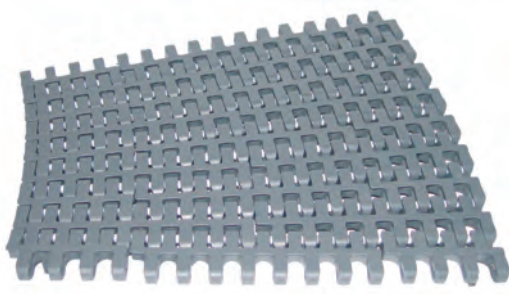
NEW



**WITH TAB
AND POSITIONER
"TP" Version**



Width W inch	Width W mm	Belts Ref.	Code	Side Flex radius minimum mm	Max load capacity		Back flex radius mm	Weight Kg/m ²
					Straight N/m	Curve N		
3.00	76	VG-2256-0003-TP	26775	145	30.000	2.000	25	7.75
6.00	152	VG-2256-0006-TP	26776	290				
9.00	229	VG-2256-0009-TP	26777	435				
12.00	305	VG-2256-0012-TP	26778	580				
15.00	381	VG-2256-0015-TP	26779	725				
18.00	457	VG-2256-0018-TP	26780	890				
21.00	533	VG-2256-0021-TP	26781	1040				
24.00	610	VG-2256-0024-TP	26782	1250				

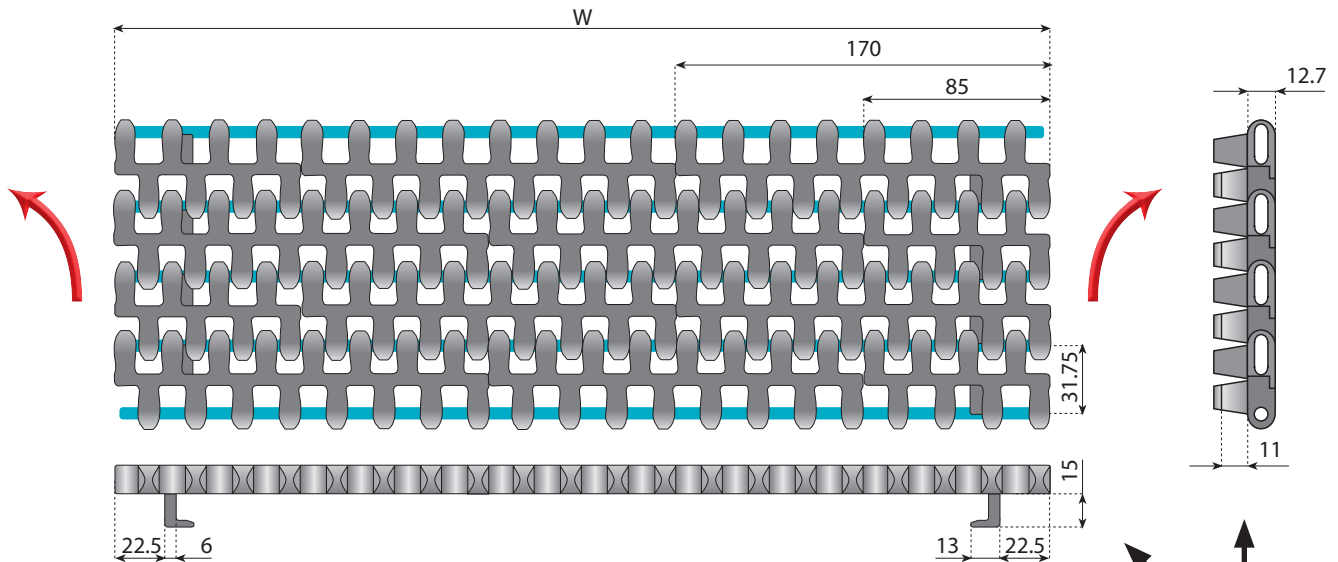


**RADIUS
WIDTH RATIO
MIN. 1.6**

MATERIAL Pages 4⇒7

Pages 326

Pages 340⇒343



**"NT" version
without TAB!**

Features:

- Radius – width ratio min. 1.6
- For left or right L- or U-turns
- Can also be used in S-curves
- Strong design
- Optimum product support
- Easy installation and maintenance

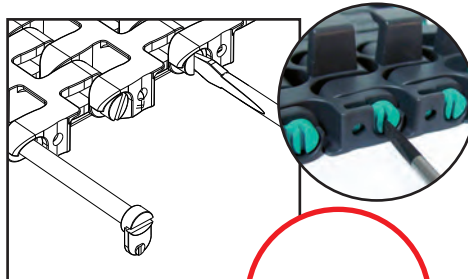
Pin Material: PBT water blue

Weight: 9.0 kg/m²

Standard length:

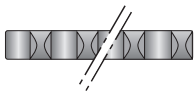
belt width ≤ 0.850m: 1.524m belt length

belt width > 0.850m: belt length on request

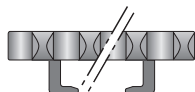


PATENTED

**For BELTS AVAILABLE IN "LFW"
material just add "LFW"
to part number
(example "code 27322-LFW")**



WITHOUT TAB



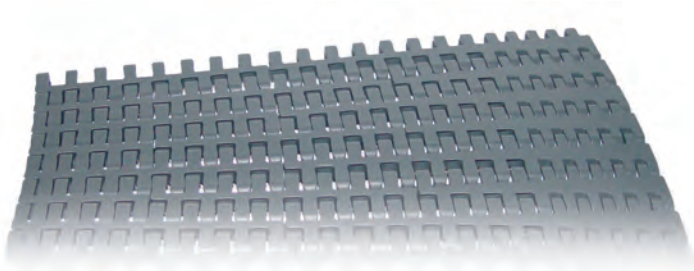
WITH TAB BOTH SIDES

LFG	LFW
Low Friction Acetal Resin (standard material color Dark Grey)	Low Friction Acetal Resin (Color White)

Width W mm	Belts Ref.	Code
255	2351-0255-NT	27322
340	2351-0340-NT	27323
425	2351-0425-NT	27324
510	2351-0510-NT	27325
595	2351-0595-NT	27326
680	2351-0680-NT	27327
765	2351-0765-NT	27328
850	2351-0850-NT	27329

Width W mm	Belts Ref.	Code
255	2351-0255-ST2	27312
340	2351-0340-ST2	27313
425	2351-0425-ST2	27314
510	2351-0510-ST2	27315
595	2351-0595-ST2	27316
680	2351-0680-ST2	27317
765	2351-0765-ST2	27318
850	2351-0850-ST2	27319

Side Flex radius minimum mm	Max load capacity		Back flex radius mm	Weight Kg/m ²
	Straight N/m	Curve N		
408	30.000	2.500	25	8.8
545				
680				
840				
980				
1150				
1300				
1450				

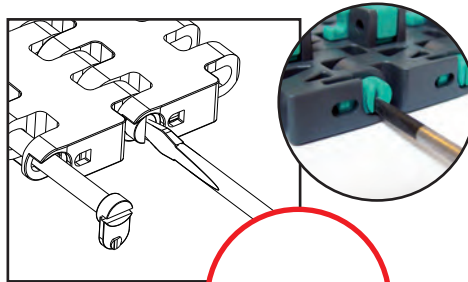
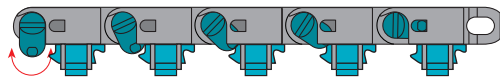
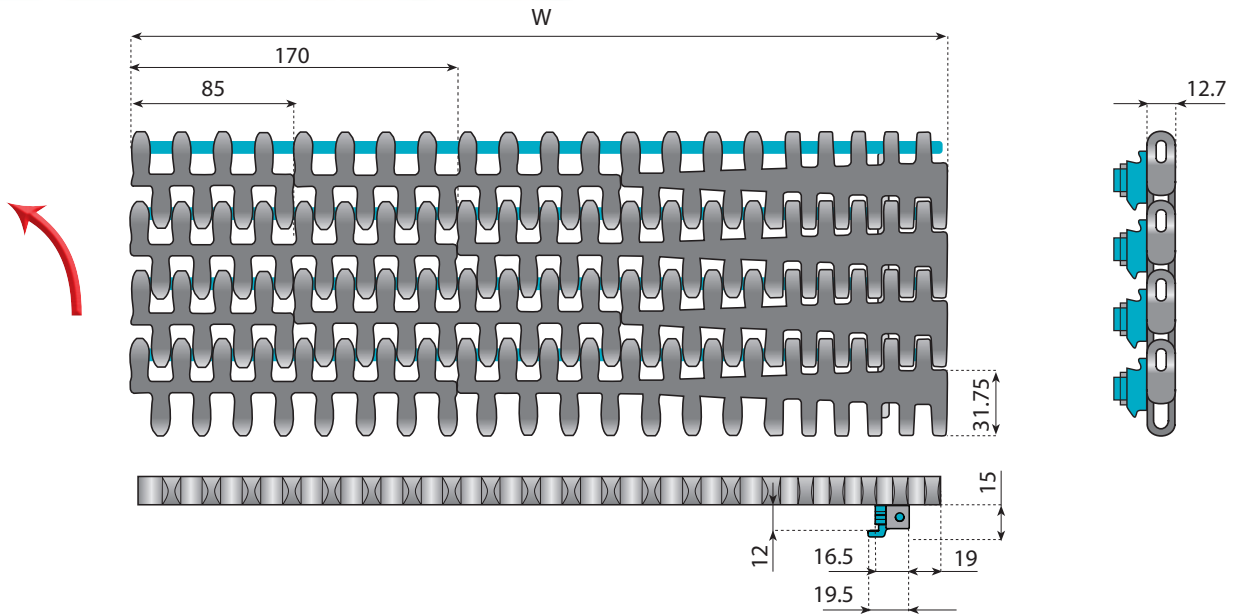


**RADIUS
WIDTH RATIO
MIN. 1.6**

MATERIAL Pages 4⇒7

Pages 326

Pages 340⇒343



PATENTED

Features:

- Radius – width ratio min. 1.6
- Heavy Duty extra strong design
- For left or right L- or U-turns
- Optimum combination of materials
- Optimum product support
- Easy installation and maintenance

Pin Material: PBT water blue

Weight: 9.7 kg/m²

Standard length:

belt width ≤ 0.850m: 1.524m belt length

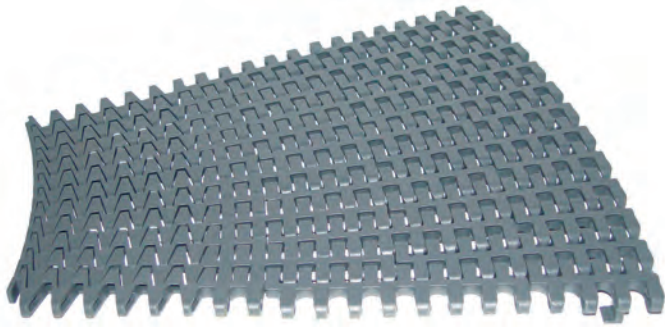
belt width > 0.850m: belt length on request

For BELTS AVAILABLE IN “LFW” material just add “LFW” to part number (example “code 27433-LFW”)

LFG	LFW
Low Friction Acetal Resin (standard material color Dark Grey)	Low Friction Acetal Resin (Color White)

Width W mm	Belts Ref.	Code
-	-	-
340	2451-0340-HDT	27433
425	2451-0425-HDT	27434
510	2451-0510-HDT	27435
595	2451-0595-HDT	27436
680	2451-0680-HDT	27437
765	2451-0765-HDT	27438
850	2451-0850-HDT	27439

Side Flex radius minimum mm	Max load capacity		Back flex radius mm	Weight Kg/m ²
	Straight N/m	Curve N		
-	30.000	3.500	25	9.8
545				
680				
840				
980				
1150				
1300				
1450				

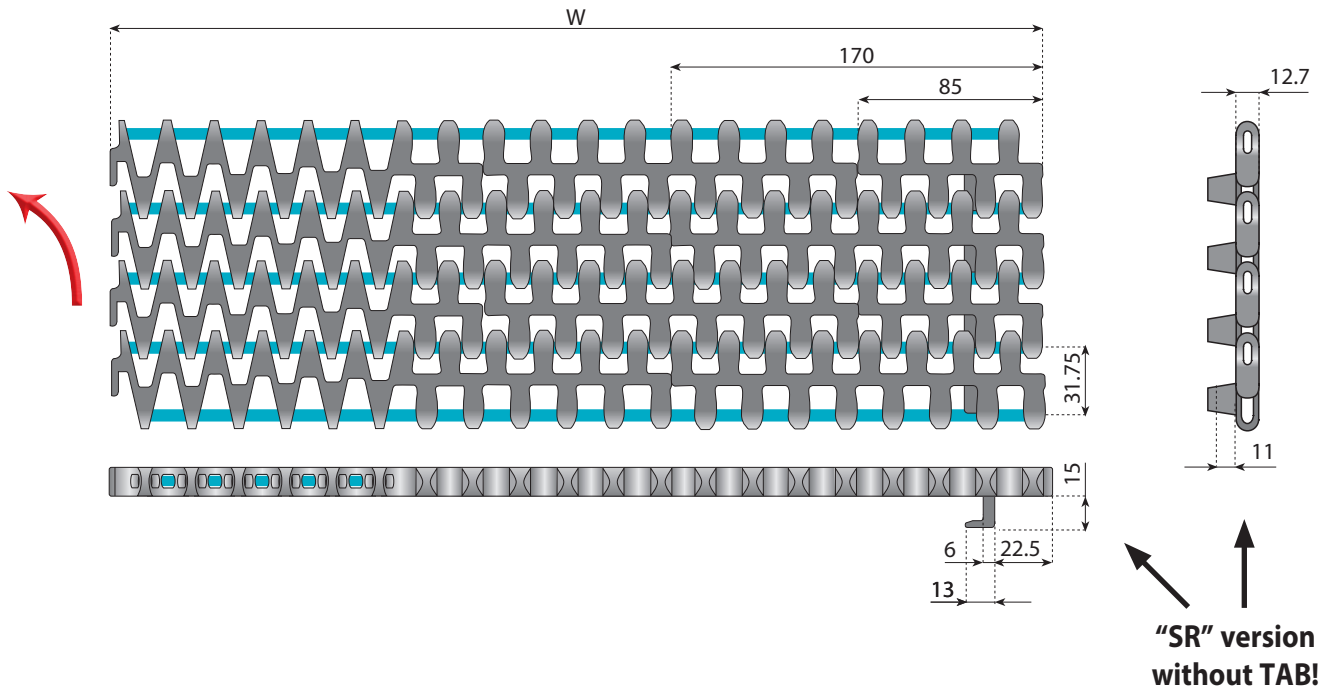


**RADIUS
WIDTH RATIO
MIN. 1.0**

MATERIAL Pages 4⇒7

GEOMETRY Pages 326

PROPERTIES Pages 340⇒343



Features:

- Radius – width ratio min. 1.0 for tight curves
- For left or right L- or U-turns
- Strong design
- Optimum product support
- Easy installation and maintenance

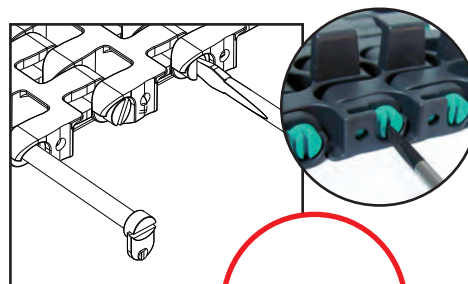
Pin Material: PBT water blue

Weight: 8.2 kg/m²

Standard length:

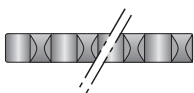
belt width ≤ 0.850m: 1.524m belt length

belt width > 0.850m: belt length on request

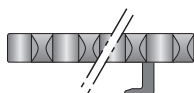


PATENTED

For BELTS AVAILABLE IN "LFW" material just add "LFW" to part number (example "code 27563-LFW")



WITHOUT TAB



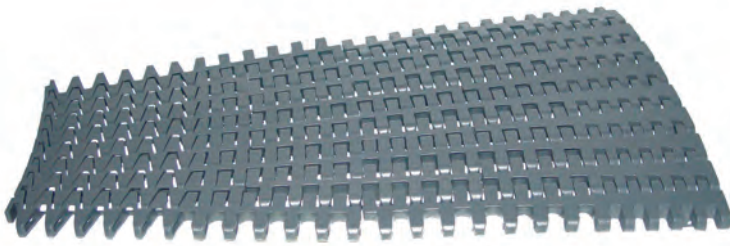
WITH TAB ONE SIDES

LFG	LFW
Low Friction Acetal Resin (standard material color Dark Grey)	Low Friction Acetal Resin (Color White)

Width W mm	Belts Ref.	Code
-	-	-
340	2551-0340-SR	27563
425	2551-0425-SR	27564
510	2551-0510-SR	27565
595	2551-0595-SR	27566
680	2551-0680-SR	27567
765	2551-0765-SR	27568
850	2551-0850-SR	27569

Width W mm	Belts Ref.	Code
-	-	-
340	2551-0340-SRT	27543
425	2551-0425-SRT	27544
510	2551-0510-SRT	27545
595	2551-0595-SRT	27546
680	2551-0680-SRT	27547
765	2551-0765-SRT	27548
850	2551-0850-SRT	27549

Side Flex radius minimum mm	Max load capacity		Back flex radius mm	Weight Kg/m ²
	Straight N/m	Curve N		
-	30.000	2.500	25	7.8
340				
425				
510				
595				
680				
850				
1050				

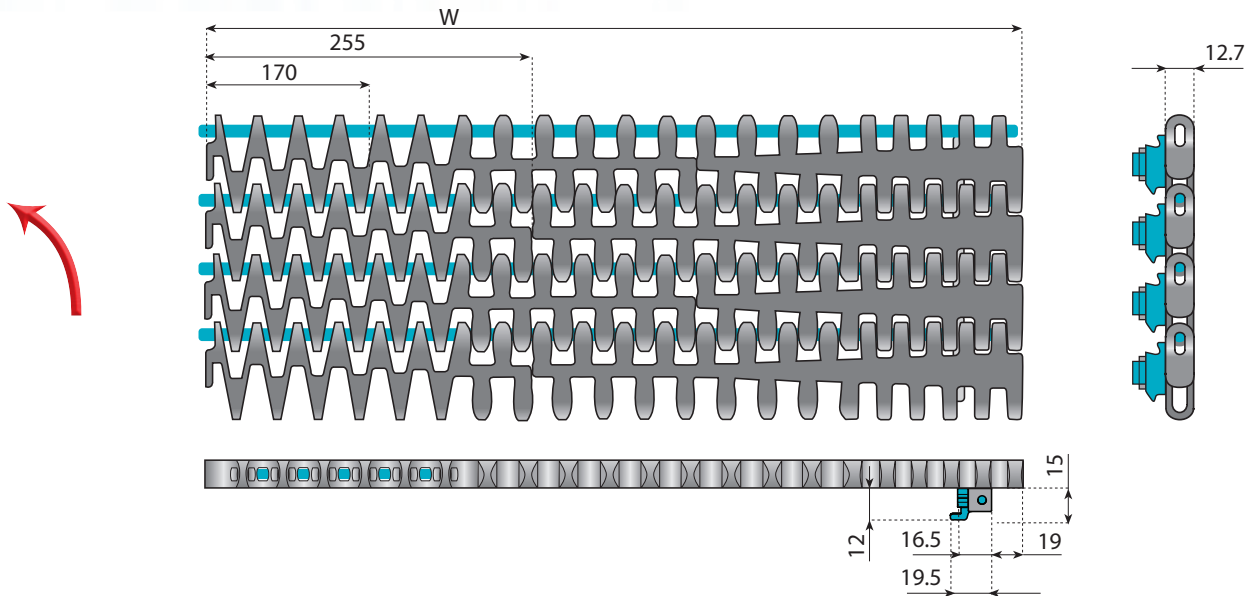


RADIUS WIDTH RATIO MIN. 1.0

MATERIAL Pages 4⇒7

ASSEMBLY Pages 326

APPLICATIONS Pages 340⇒343



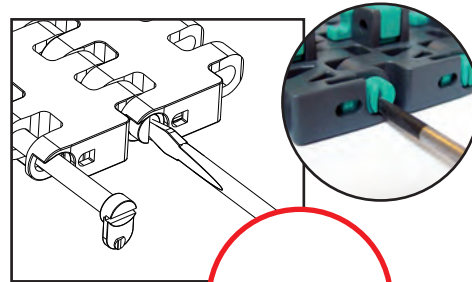
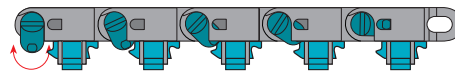
Features:

- Heavy Duty extra strong design
- Radius – width ratio min. 1.0 for tight curves
- For left or right L- or U-turns
- Optimum combination of materials
- Optimum product support
- Easy installation and maintenance

Pin Material: PBT water blue

Standard length:

belt width ≤ 0.850m: 1.524m belt length
 belt width > 0.850m: belt length on request



PATENTED

For BELTS AVAILABLE IN "LFW" material just add "LFW" to part number (example "code 27433-LFW")

LFG	LFW
Low Friction Acetal Resin (standard material color Dark Grey)	Low Friction Acetal Resin (Color White)

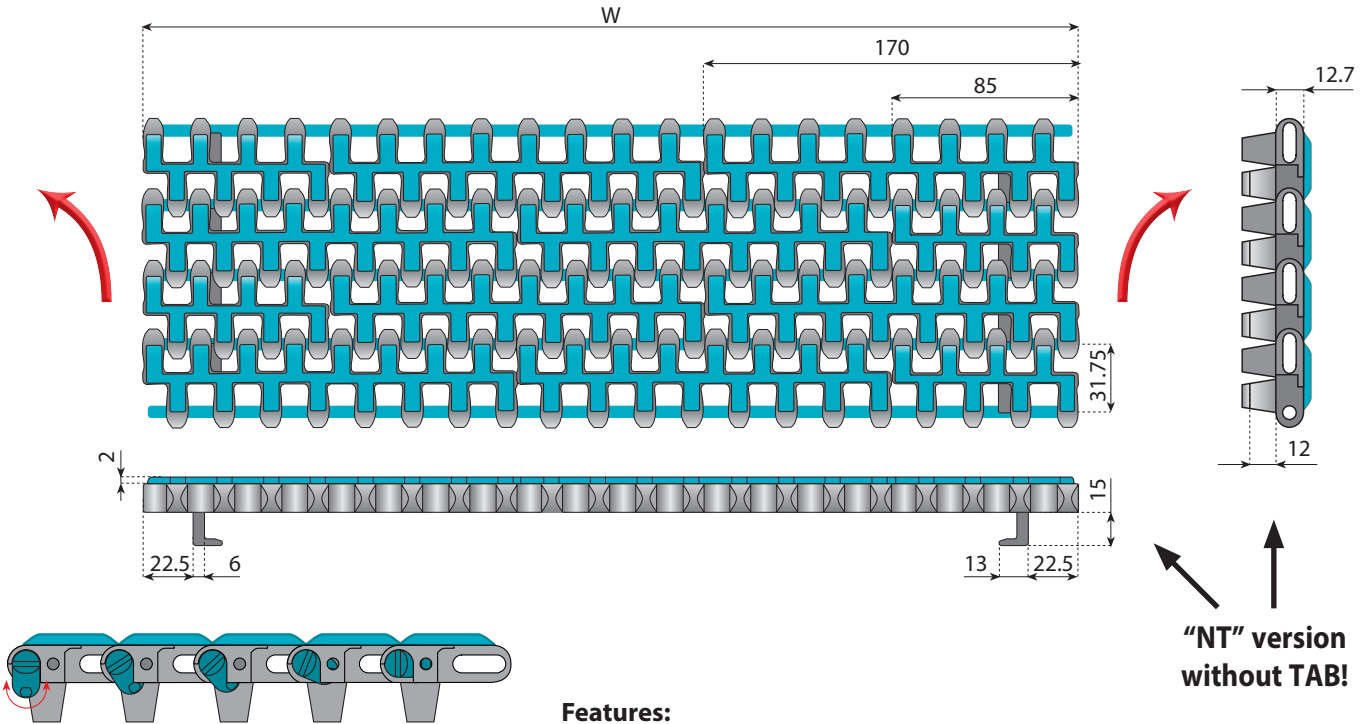
Width W mm	Belts Ref.	Code
-	-	-
425	2651-0425-HDSRT	27634
510	2651-0510-HDSRT	27635
595	2651-0595-HDSRT	27636
680	2651-0680-HDSRT	27637
765	2651-0765-HDSRT	27638
850	2651-0850-HDSRT	27639

Side Flex radius minimum mm	Max load capacity		Back flex radius mm	Weight Kg/m ²
	Straight N/m	Curve N		
-	30.000	3.500	25	8.8
-				
425				
510				
595				
680				
850				
1050				

NEW

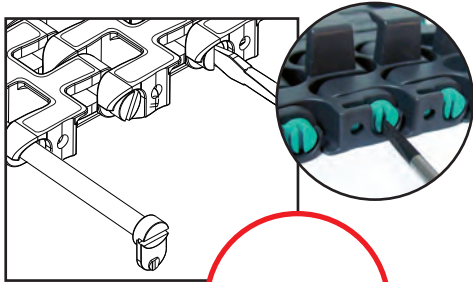
RADIUS WIDTH RATIO MIN. 1.6

-  [Pages 4→7](#)
-  [Pages 326](#)
-  [Pages 339→343](#)



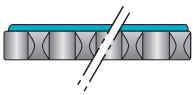
"NT" version without TAB!

- Features:**
- Radius – width ratio min. 1.6
 - For left or right L- or U-turns
 - Can also be used in S-curves
 - Strong design
 - Optimum product support
 - Easy installation and maintenance

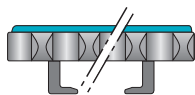


PATENTED

For BELTS AVAILABLE IN "LFW" material just add "LFW" to part number (example "code 27346-LFW")



WITHOUT TAB



WITH TAB BOTH SIDES

LFG	LFW
Low Friction Acetal Resin (standard material color Dark Grey)	Low Friction Acetal Resin (Color White)

Width W mm	Belts Ref.	Code
255	2351VG-0255-NT	27346
340	2351VG-0340-NT	27347
425	2351VG-0425-NT	27348
510	2351VG-0510-NT	27349
595	2351VG-0595-NT	27350
680	2351VG-0680-NT	27351
765	2351VG-0765-NT	27352
850	2351VG-0850-NT	27353

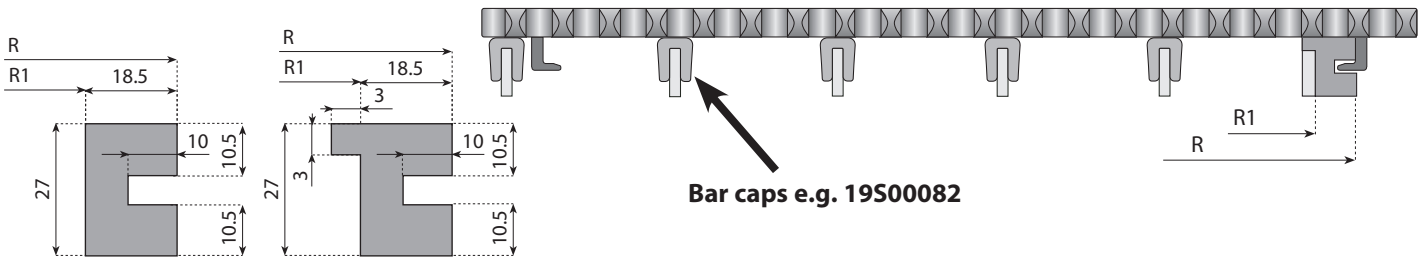
Width W mm	Belts Ref.	Code
255	2351VG-0255-ST2	27338
340	2351VG-0340-ST2	27339
425	2351VG-0425-ST2	27340
510	2351VG-0510-ST2	27341
595	2351VG-0595-ST2	27342
680	2351VG-0680-ST2	27343
765	2351VG-0765-ST2	27344
850	2351VG-0850-ST2	27345

Side Flex radius minimum mm	Max load capacity		Back flex radius mm	Weight Kg/m ²
	Straight N/m	Curve N		
408	30.000	2.500	25	8.8
545				
680				
840				
980				
1150				
1300				
1450				



Standard length: 96 pitches (10 ft. - 3.048 m)

2351 - 2551

CURVE GUIDE PROFILES



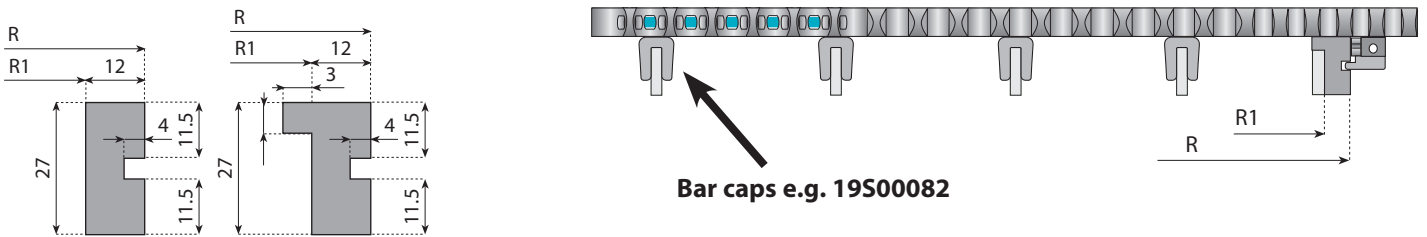
Bar caps e.g. 19S00082

Code		Belt Width mm	Min radius for 2351		Min radius for 2551	
			R	R1	R	R1
 190276	 190276N	255	634.5	616	-	-
		340	856.5	838	651.5	633
		425	1076.5	1058	821.5	803
		510	1321.5	1303	991.5	973
		595	1546.5	1528	1161.5	1143
		680	1801.5	1783	1331.5	1313
		765	2036.5	2018	1586.5	1568
		850	2271.5	2253	1871.5	1853



Material: Nolu-SR
Standard length: 3 meter

2451 - 2651

CURVE GUIDE PROFILES



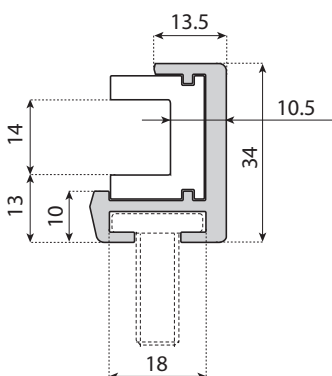
Bar caps e.g. 19S00082

Code		Belt Width mm	Min radius for 2451		Min radius for 2651	
			R	R1	R	R1
 190277	 190277N	340	850	838	-	-
		425	1070	1058	815	803
		510	1315	1303	985	973
		595	1540	1528	1155	1143
		680	1795	1783	1325	1313
		765	2030	2018	1580	1568
		850	2265	2253	1865	1853

Material: Nolu-SR
Standard length: 3 meter

2351 - 2551 without tab

CURVE GUIDE PROFILES

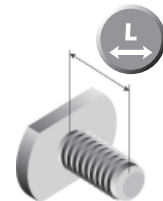
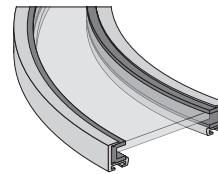


MBG - SUPPORT FOR CHAIN AND BELTS

Aluminum and Nolu-S guide rail for use in guiding the sides of selected plastic modular conveyor belts through turns. Minimum radius 457 mm (inside edge).
Replaceable Nolu-S strips, light grey.
Standard length: 3 meter

STAINLESS STEEL T-HEAD SCREW M8

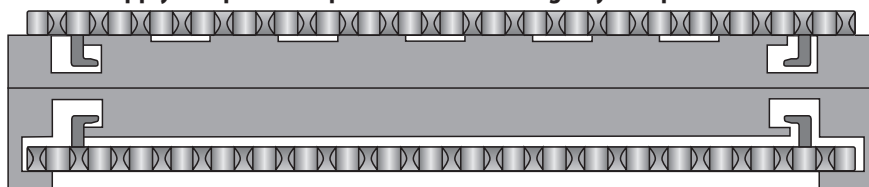
Supply unit: 10 pieces

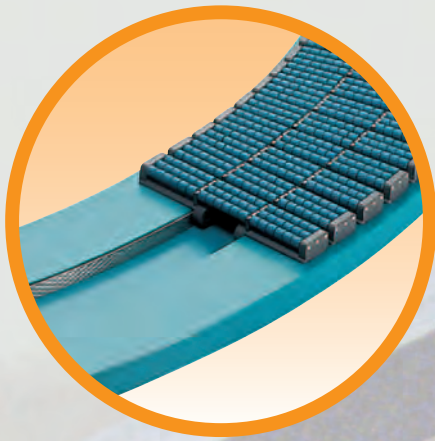


Code	Ref.
19S00035-3M	VG-MBG-50-NS-3M
Insert Replacement 19S00077-3M	VG-PMBG-50-NS-3M

Code	Ref.	Standard length L mm
13S00255	VG-1568M-01	16
13S00256	VG-1568M-02	19
13S00258	VG-1568M-04	32

On request we can also supply complete compact curves according to your specifications. See example drawing.





NEW MAGNETIC SYSTEM WITH METAL STRIP: "EXTRA" CURVES

System Plast has recently developed a new magnetic corner retention system for dry-running applications.

The system, sets new performance standards in magnet curve technology due to the inclusion of a unique metal strip mounted in the inside bearing face of the top section. This area is constantly under load due to the pressure/speed factor.

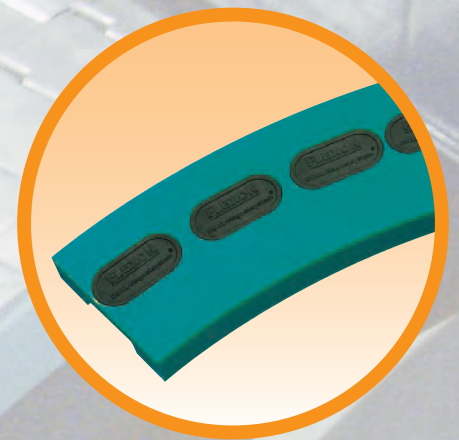
Main advantages:

- Extreme dissipation of heat significantly reduces wear.
- Under test conditions, lowest noise decibel levels were recorded.
- "Extra" curves are strongly recommended with plastic chains only!

MATERIAL

The standard upper section of the Dual Magnetic System curve is produced from 1200 grade UHMW-PE (Ultra High Molecular Weight Polyethylene) with the molecular weight exceeding 7.3 million g/mol., which ensures optimum wear life. The standard colour is waterblue, but it is also available in different colours subject to minimum order quantity. The upper part of the Dual Magnetic System is available, on request, for special high speed or extremely abrasive applications. The return track is available in standard regenerated 1000 grade UHMW-PE with a ultra high molecular polyethylene weight exceeding 4 million g/mol. This ensures a cost saving advantage for the end - user, as the wear on the return track is normally less significant than the top section. Full materials are anhydrous which prevents curve swelling and distortion when exposed to water or moisture for lubrication purposes.

- Nolu-s material is now available! It is strongly recommended for plastic chains.

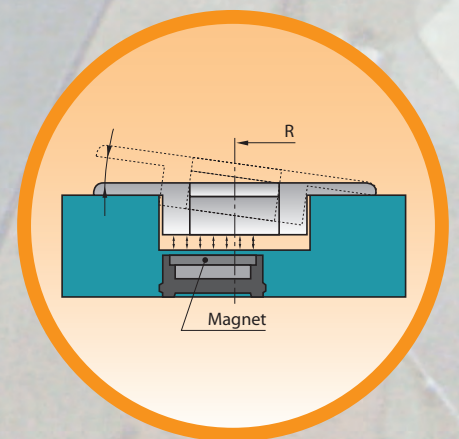


MAGNETIC PACKS

System Plast has developed special magnetic packs for the Dual Magnetic System curves. These unique magnet holders are located into slots machined in the upper section of the curve.

DESIGN AND FUNCTIONALITY

Dual Magnetic System curves have the magnets positioned on the outside of the centre line radius of each track which results in a more effective magnetic field through the curve. The positioning of the magnets in the Dual Magnetic System does not increase the chain load or friction, unlike other similar systems.

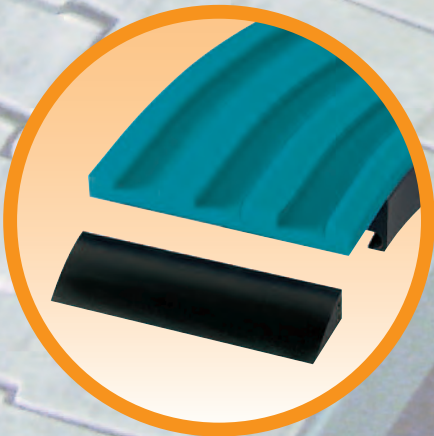


DUAL MAGNETIC CORNER TRACKS



CHARACTERISTICS

The Dual Magnetic System curves are a new development, made under license, as per patented magnetic curve system. The Dual Magnetic System curves are used in conjunction with stainless steel or plastic chains. The chains are retained in the system by the magnetic field created by the magnets that are located into the curve. The Dual Magnetic System chains and curves, compared to the older tab or bevel system, offer the user greater flexibility and improved efficiency as the design allows for easy removal of the chains from the curve - for cleaning and maintenance purposes. In this way, magnetic corner tracks contribute to TPM (Total Productive Maintenance) programs.



ADVANTAGES

Steel and plastic chains can be used in the same curves which means simpler conveyor construction, reduced inventories and ultimately lower costs. Stainless Steel sideflexing magnetic retained chain has the same hinge width as the 815 series straight running chain and therefore uses the identical sprockets to the 815 series

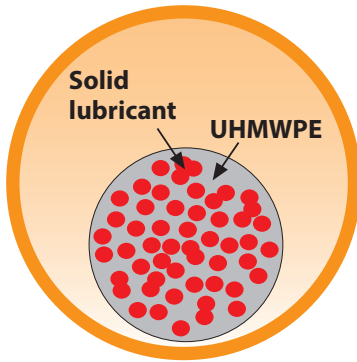
Easier maintenance construction

Magnetic retained chains do not incorporate the use of tab or bevel shoes, which allows the chain to be removed from the curve, without dismantling the chain. Maintenance is therefore quicker and simpler, which reduces downtime.

NOLU-S - MATERIAL WITH BUILT - IN LUBRICATION

WHAT IS NOLU-S ?

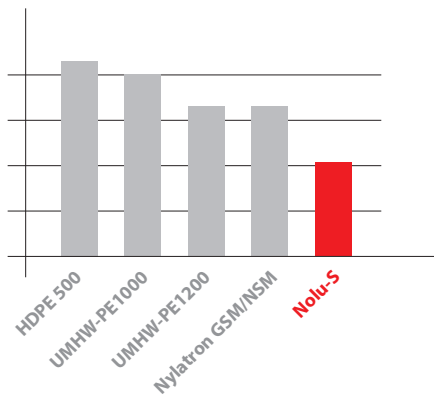
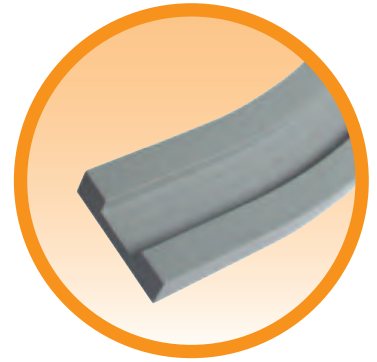
Nolu-S material is a unique compound of UHMW and a solid lubricant. Reduces drastically the coefficient of friction, maintaining the characteristics of UHMW. Nolu-S has a better thermal conductivity compared with UHMW.



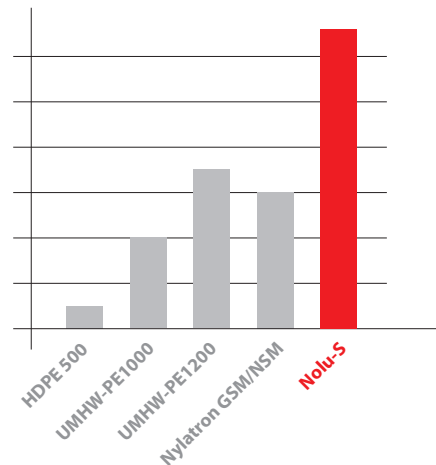
WHAT IS NOLU-S ?

BENEFITS AND FEATURES

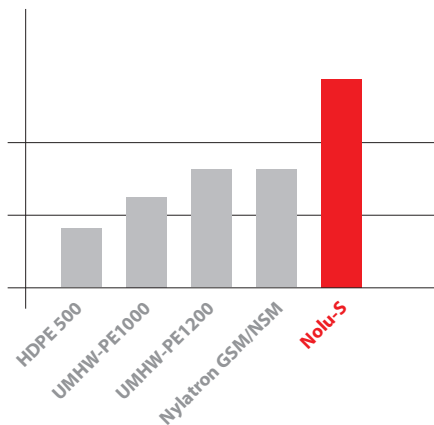
- **Nolu-S** makes very high speeds possible, especially when running dry.
- **Nolu-S** has an extremely low coefficient of friction.
- **Nolu-S** reduces noise and squeaking.
- **Nolu-S** reduces chain pull.
- **Nolu-S** extends the life of the chain.
- **Nolu-S** does not damage and scratch the surface of PET.
- **Nolu-S** reduces the consumption of energy.
- **Nolu-S** is a UHMW-PE1000 with a solid lubricant, FDA approved.



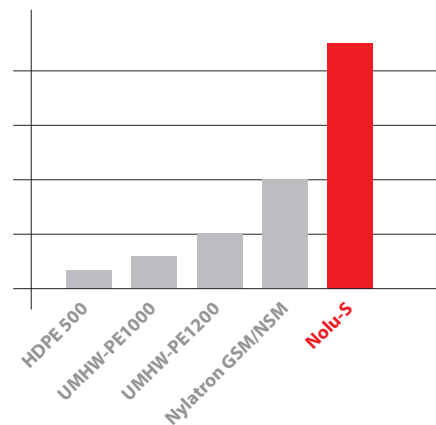
COEFFICIENT OF FRICTION
AVERAGE COEFFICIENT OF FRICTION



RELATIVE WEARLIFE



MAX. SPEED
MAX. RECOMMENDED SURFACE SPEED (DRY - ACETAL LF CHAIN)



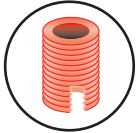
PV - LIMIT

NOLU-S CHARACTERISTICS

CALL OUR ENGINEERING EXPERTS

To order the products you have selected, or to get expert advice in choosing the right ones for your application, call our Engineering Department or fax your specifications. We will be pleased to quote on curves manufactured to your special requirements. This page can be used when extensive modifications or a special design is required.

COMPANY NAME _____
 ADDRESS: _____ CITY: _____ STATE/PROVINCE: _____ POSTAL CODE: _____
 CONTACT: _____ POSITION: _____ PHONE: _____ FAX: _____



Inserts

The magnetic corner tracks can be supplied with M8 or M10 brass inserts to your detailed drawing



Magnetic corner tracks special materials

On request magnetic corner tracks for high speed and extremely abrasive applications can be supplied.

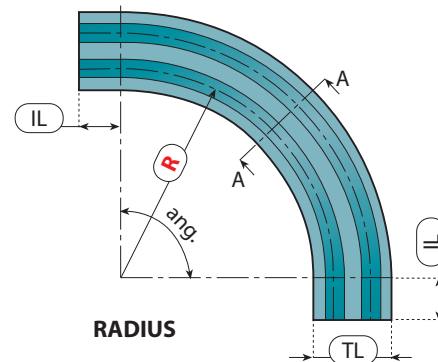
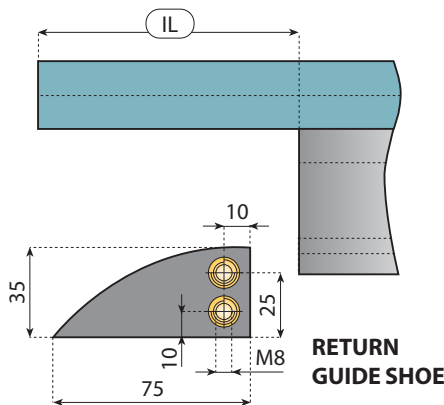
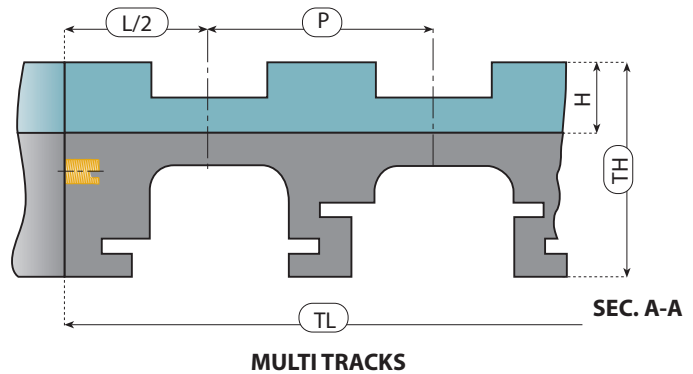
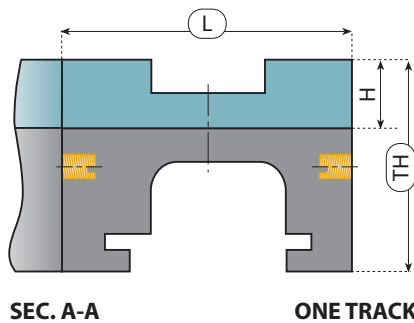


Magnetic corner tracks special dimensions

On request magnetic corner tracks with special dimensions can be produced.



For further information contact our Technical Support Department



SELECTION TABLES

Explanation of curve reference (Example ordering information)

KMD (FL)



Dual Magnetic System Curve

02



Model
 Radius R = 500 mm
 Pitch P = 90 mm
 Basic width L = 100 mm
 Total Height TH = 82 mm
 Chain K = 82.5 mm

90



Angle Segment
 90°

03



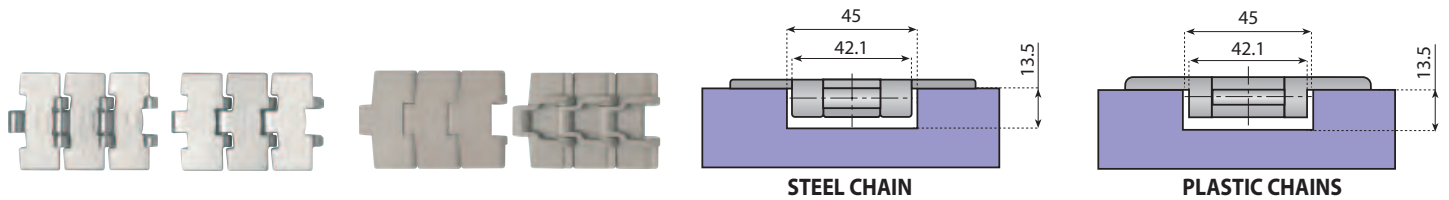
Number of Tracks
 3 Tracks

B

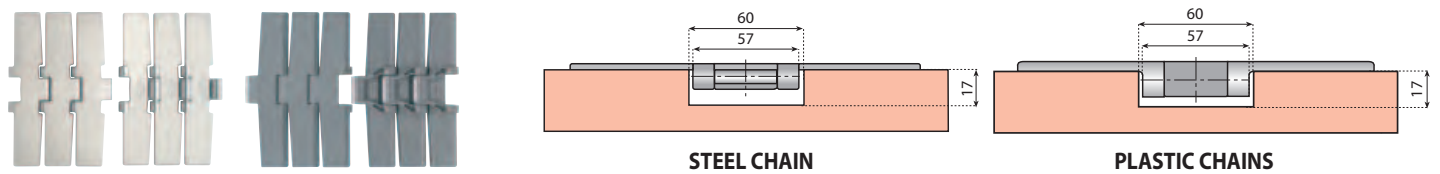


Infeed Length
 A • Without infeed
 B • IL = 100 mm
 C • IL = 125 mm
 D • IL = 50 mm

SELECTION TABLES



For chains series	Radius R (mm)	Pitch P (mm)	Basic width L (mm)	Total width TL (mm)	Infeed Length IL (mm)	Top Track Height H (mm)	Total Height TH (mm)	Version Series K	Reference Number	See Page		
For chains with Lg 82.5 mm - K325" and Lg 83.8 mm - K330 Plate Width - Hinge L. 42.1 mm												
879 M - K325 879 M VG - K325 880 M - K325 880 M - K330 881 MO - K325 881 MO - K330	500	85	100	(PxN° of tracks-1) + L	0	27	82-90	K7	KMD.03. . . . A	202		
			110		100		90	K6	KMD.03. . . . B	203		
			111		100		90	K10	KMD.61. . . . B	204		
		90	100		125		82	K4	KMD.05. . . . B	205		
			110		100		82	K1	KMD.01. . . . C	206		
			110		100		82	K2	KMD.02. . . . B	207		
	590	180	-		100		0	82	82	K3	KMD.04. . . . A	208
					111		100	82	K5B	KMD.06. . . . B	209	
	680	-	-		100		100	82-90	82	K5A	KMD.07. . . . B	210
					111		100	82-90	K8	KMD.08. . . . B	211	
	750	85	90		111		125	90	90	K42	KMD.11. . . . B	212
					110		0	82	K9	KMD.62. . . . B	213	
	860	-	100		100		100	82	82	K5C	KMD.09. . . . C	210
					111		0	82	K5D	KMD.10. . . . A	210	
1.000	85	111	100	100	90	90	K43	KMD.12. . . . B	214			
For chains with Lg 114.3 mm - K450" Plate Width - Hinge L. 42.1 mm												
879 M - K450 880 M - K450 881 M - K450	500	120	129	(PxN° of tracks-1) + L	125	27	90	K21A	KMD.21. . . . C	215		
	610				0			K22A	KMD.22. . . . C	216		
	117				0			K27	KMD.23. . . . A	217		
For chains with Lg 190.5 mm - K750" Plate Width - Hinge L. 42.1 mm												
880 M - K750 881 M - K750	500	192	214	(PxN° of tracks-1) + L	0	27	90	K60	KMD.38. . . . A	218		
	610	196			125			K61	KMD.31. . . . C	219		
	750	-			0			K62	KMD.37. . . . A	220		
	860	-			0			K66	KMD.32. . . . A	220		
	1.000	-			0			K65	KMD.33. . . . A	220		

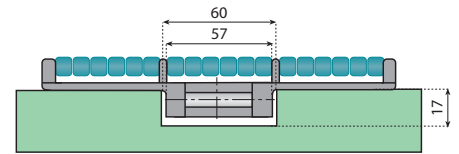
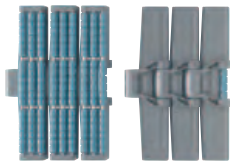


For chains series	Radius R (mm)	Pitch P (mm)	Basic width L (mm)	Total width TL (mm)	Infeed Length IL (mm)	Top Track Height H (mm)	Total Height TH (mm)	Version Series K	Reference Number	See Page
For chains with Lg 190.5 mm - K750" Plate Width - Hinge L. 57 mm										
882 M - K750 882 M VG - K750 8857 M - K750	610	195	200	(PxN° of tracks-1) + L	100	32	95	K81 *	KMD.40. . . . B	221
	750		200		87/95		K85	KMD.42. . . . B	222	
	860	195	200		0		K86	KMD.41. . . . A	223	
	1.000	200	200		100		K80	KMD.39. . . . B	224	
For chains with Lg 254 mm - K1000" Plate Width - Hinge L. 57 mm										
882 M - K1000 882 M VG - K1000	860	-	270	(PxN° of tracks-1) + L	0	32	95	K93	KMD.48. . . . A	225
	1.000							K94	KMD.49. . . . A	225
For chains with Lg 304.8 mm - K1200" Plate Width - Hinge L. 57 mm										
882 M - K1200 882 M VG - K1200	860	-	320	-	0	32	95	K97	KMD.52. . . . A	226
	1.000							K98	KMD.53. . . . A	226

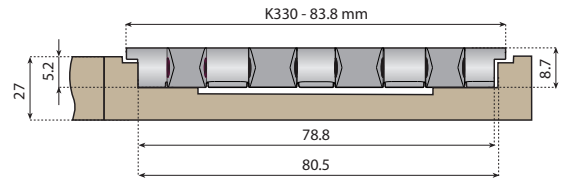
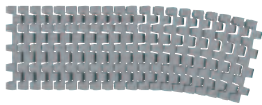


For chains series	Radius R (mm)	Pitch P (mm)	Basic width L (mm)	Total width TL (mm)	Infeed Length IL (mm)	Top Track Height H (mm)	Total Height TH (mm)	Version Series K	Reference Number	See Page
For LBP chains with Lg 82.5 mm - K325" Plate Width - Hinge L. 42.1 mm										
LBP 879 M - K325	500	85	100	(PxN° of tracks-1) + L	0	27	102	LBP68C	KMD.68. . . . A	227

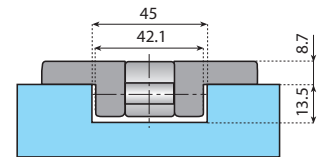
* Only for plastic chains



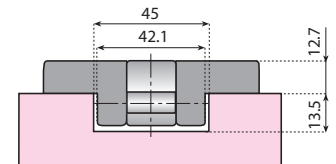
For chains series	Radius R (mm)	Pitch P (mm)	Basic width L (mm)	Total width TL (mm)	Infeed Length IL (mm)	Top Track Height H (mm)	Total Height TH (mm)	Version Series K	Reference Number	See Page
For LBP chains with Lg 190.5 mm - K750" Plate Width - Hinge L. 57 mm										
LBP 882 M - K750	860	200	214	(PxN° of tracks-1) + L	0	32	95	LBP86C	KMD.71..._AC	228
For LBP chains with Lg 254 mm - K1000" Plate Width - Hinge L. 57 mm										
LBP 882 M - K1000	860	-	270	(PxN° of tracks-1) + L	0	32	95	LBP93C	KMD.78..._AC	229
	1.000							LBP94C	KMD.79..._AC	229
For LBP chains with Lg 304.8 mm - K1200" Plate Width - Hinge L. 57 mm										
LBP 882 M - K1200	860	-	320	-	0	32	95	LBP97C	KMD.82..._AC	230
	1.000							LBP98C	KMD.83..._AC	230



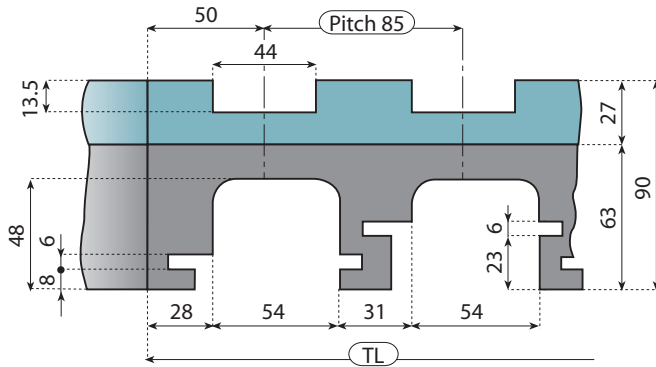
For belt series	Radius R (mm)	Pitch P (mm)	Basic width L (mm)	Total width TL (mm)	Infeed Length IL (mm)	Top Track Height H (mm)	Total Height TH (mm)	Version Series K	Reference Number	See Page
For chainbelts with Lg 83.8 mm - K330" Plate Width - Hinge L. 42.1 mm - Plate Height 12.7 mm										
2120M	500	85	100	(PxN° of tracks-1) + L	0	27	90	KA7	KMD.24..._A	231
			111		KA6			KMD.25..._B	232	
	100		KA4		KMD.26..._B			233		
	111		KA8		KMD.27..._B			234		
	750		KA42		KMD.28..._B			235		
			KA43		KMD.29..._B			236		
1.000	KA5D	KMD.30..._A	237							



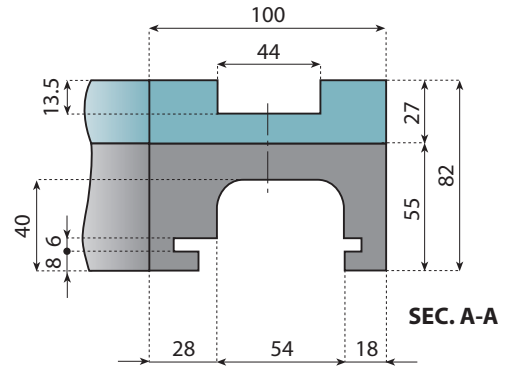
For chains series	Radius R (mm)	Pitch P (mm)	Basic width L (mm)	Total width TL (mm)	Infeed Length IL (mm)	Top Track Height H (mm)	Total Height TH (mm)	Version Series K	Reference Number	See Page
For chainbelts with Lg 83.8 mm - K330" Plate Width - Hinge L. 42.1 mm - Plate Height 8.7 mm										
2250 M - K330 FT 2250 M - K330 FG 2260 M - K330 FT	500	85	100	(PxN° of tracks-1) + L	0	27	90	KB7	KMD.90..._A	238
			111		KB6			KMD.91..._B	239	
	100		KB4		KMD.92..._B			240		
	750		KB8		KMD.93..._B			241		
			KB5D		KMD.96..._A			242		
1.000	0									
For chainbelts with Lg 114.3 mm - K450" Plate Width - Hinge L. 42.1 mm - Plate Height 8.7 mm										
2250 M - K450 FT	500	117	129	(PxN° of tracks-1) + L	100	27	90	KB22	KMD.54..._B	243
	610							KB27	KMD.56..._B	244



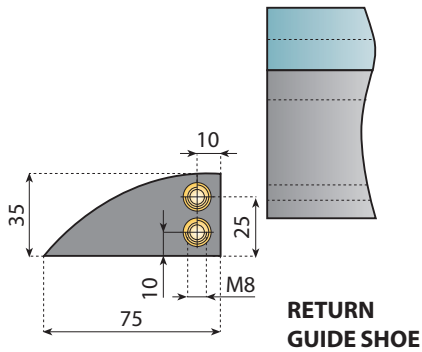
For chains series	Radius R (mm)	Pitch P (mm)	Basic width L (mm)	Total width TL (mm)	Infeed Length IL (mm)	Top Track Height H (mm)	Total Height TH (mm)	Version Series K	Reference Number	See Page
For chainbelts with Lg 83.8 mm - K330" Plate Width - Hinge L. 42.1 mm - Plate Height 12.7 mm										
2251 M - K330 FT	500	85	100	(PxN° of tracks-1) + L	0	27	90	KC7	KMD.84..._A	245
			111		KC6			KMD.85..._B	246	
	100		KC4		KMD.86..._B			247		
	750		KC8		KMD.87..._B			248		
			KC5D		KMD.97..._A			249		
1.000	0									
For chainbelts with Lg 114.3 mm - K450" Plate Width - Hinge L. 42.1 mm - Plate Height 12.7 mm										
2251 M - K450 FT	500	117	129	(PxN° of tracks-1) + L	100	27	90	KC22	KMD.64..._B	250
	610							KC27	KMD.66..._B	251



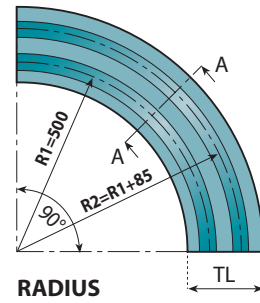
MULTI TRACKS



ONE TRACK



RETURN GUIDE SHOE

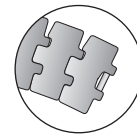


RADIUS

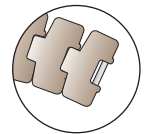
NOW AVAILABLE IN "NOLU-S" MATERIAL !

For further information see page 198

- More tracks and different angles available on request.



For (stainless) steel magnetic chains, type: 881 M - 881 MO

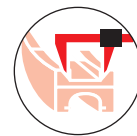


For plastic magnetic chains, type: 879 M - 880 M



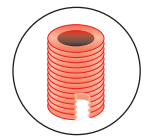
Magnetic corner tracks special materials

On request magnetic corner tracks for high speed and extremely abrasive applications can be supplied.



Magnetic corner tracks special dimensions

On request magnetic corner tracks with special dimensions can be produced.



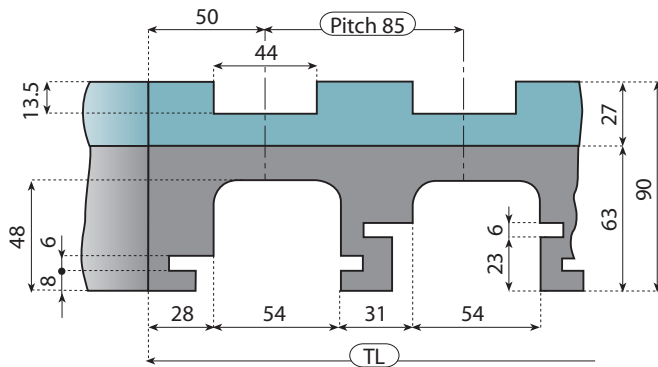
Inserts

The magnetic corner tracks can be supplied with M8 or M10 brass inserts to your detailed drawing.

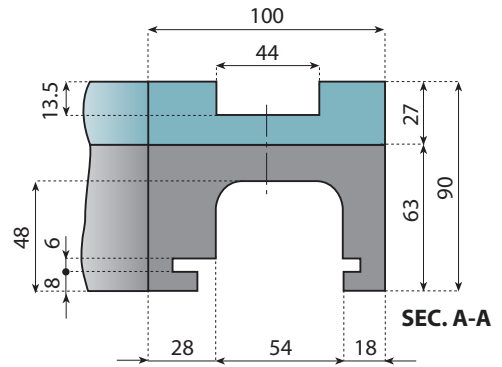
For magnetic chains type see pages 22-23-39-57

MATERIAL Pages 196-197

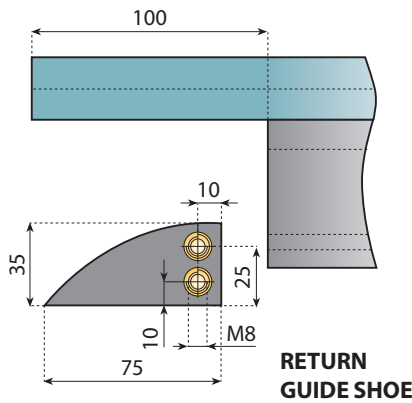
Tracks	Total width TL mm	15°	30°	45°	60°	75°	90°
1	100	KMD.03.15.01.A	KMD.03.30.01.A	KMD.03.45.01.A	KMD.03.60.01.A	KMD.03.75.01.A	KMD.03.90.01.A
2	185	KMD.03.15.02.A	KMD.03.30.02.A	KMD.03.45.02.A	KMD.03.60.02.A	KMD.03.75.02.A	KMD.03.90.02.A
3	270	KMD.03.15.03.A	KMD.03.30.03.A	KMD.03.45.03.A	KMD.03.60.03.A	KMD.03.75.03.A	KMD.03.90.03.A
4	355	KMD.03.15.04.A	KMD.03.30.04.A	KMD.03.45.04.A	KMD.03.60.04.A	KMD.03.75.04.A	KMD.03.90.04.A
5	440	KMD.03.15.05.A	KMD.03.30.05.A	KMD.03.45.05.A	KMD.03.60.05.A	KMD.03.75.05.A	KMD.03.90.05.A
6	525	KMD.03.15.06.A	KMD.03.30.06.A	KMD.03.45.06.A	KMD.03.60.06.A	KMD.03.75.06.A	KMD.03.90.06.A
7	610	KMD.03.15.07.A	KMD.03.30.07.A	KMD.03.45.07.A	KMD.03.60.07.A	KMD.03.75.07.A	KMD.03.90.07.A
8	695	KMD.03.15.08.A	KMD.03.30.08.A	KMD.03.45.08.A	KMD.03.60.08.A	KMD.03.75.08.A	KMD.03.90.08.A



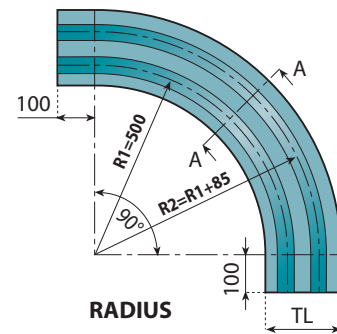
MULTI TRACKS



ONE TRACK



RETURN GUIDE SHOE



RADIUS

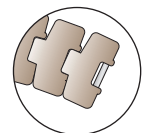
Now available in
"NOLU-S"
MATERIAL!

For further information see page 198

- More tracks and different angles available on request.



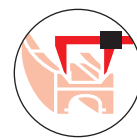
For (stainless) steel magnetic chains, type: 881 M - 881 MO



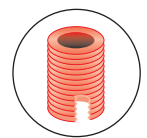
For plastic magnetic chains, type: 879 M - 880 M



Magnetic corner tracks special materials
On request magnetic corner tracks for high speed and extremely abrasive applications can be supplied.



Magnetic corner tracks special dimensions
On request magnetic corner tracks with special dimensions can be produced.



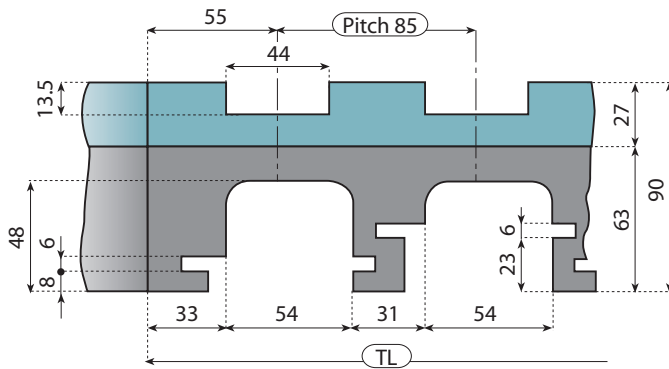
Inserts
The magnetic corner tracks can be supplied with M8 or M10 brass inserts to your detailed drawing.

For magnetic chains type see pages 22-23-39-57

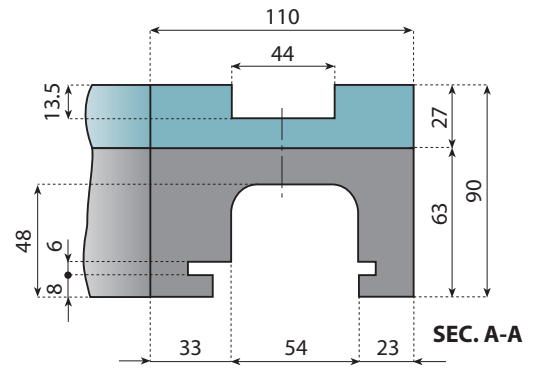
MATERIAL Pages 196-197

Tracks	Total width TL mm	15°	30°	45°	60°	75°	90°
1	100	KMD.03.15.01.B	KMD.03.30.01.B	KMD.03.45.01.B	KMD.03.60.01.B	KMD.03.75.01.B	KMD.03.90.01.B*
2	185	KMD.03.15.02.B	KMD.03.30.02.B	KMD.03.45.02.B	KMD.03.60.02.B	KMD.03.75.02.B	KMD.03.90.02.B
3	270	KMD.03.15.03.B	KMD.03.30.03.B	KMD.03.45.03.B	KMD.03.60.03.B	KMD.03.75.03.B	KMD.03.90.03.B
4	355	KMD.03.15.04.B	KMD.03.30.04.B	KMD.03.45.04.B	KMD.03.60.04.B	KMD.03.75.04.B	KMD.03.90.04.B
5	440	KMD.03.15.05.B	KMD.03.30.05.B	KMD.03.45.05.B	KMD.03.60.05.B	KMD.03.75.05.B	KMD.03.90.05.B
6	525	KMD.03.15.06.B	KMD.03.30.06.B	KMD.03.45.06.B	KMD.03.60.06.B	KMD.03.75.06.B	KMD.03.90.06.B
7	610	KMD.03.15.07.B	KMD.03.30.07.B	KMD.03.45.07.B	KMD.03.60.07.B	KMD.03.75.07.B	KMD.03.90.07.B
8	695	KMD.03.15.08.B	KMD.03.30.08.B	KMD.03.45.08.B	KMD.03.60.08.B	KMD.03.75.08.B	KMD.03.90.08.B

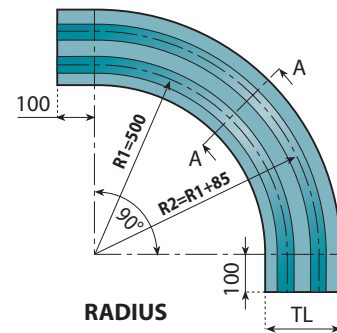
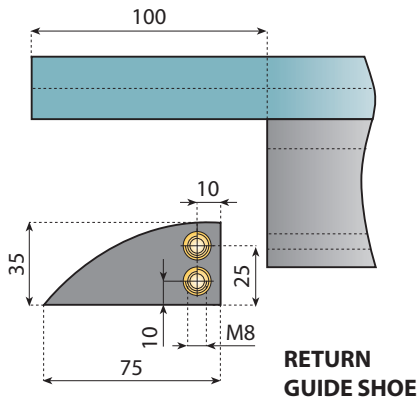
*These curves are now available ex stock in Nolu-S material, part number KMD.03.90.01.B-NS



MULTI TRACKS



ONE TRACK



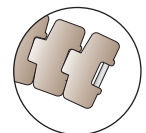
NOW AVAILABLE IN
"NOLU-S"
MATERIAL !

For further information see page 198

- More tracks and different angles available on request.



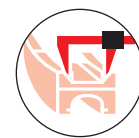
For (stainless) steel magnetic chains, type: 881 M - 881 MO



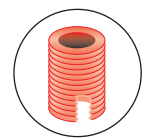
For plastic magnetic chains, type: 879 M - 880 M



Magnetic corner tracks special materials
 On request magnetic corner tracks for high speed and extremely abrasive applications can be supplied.



Magnetic corner tracks special dimensions
 On request magnetic corner tracks with special dimensions can be produced.

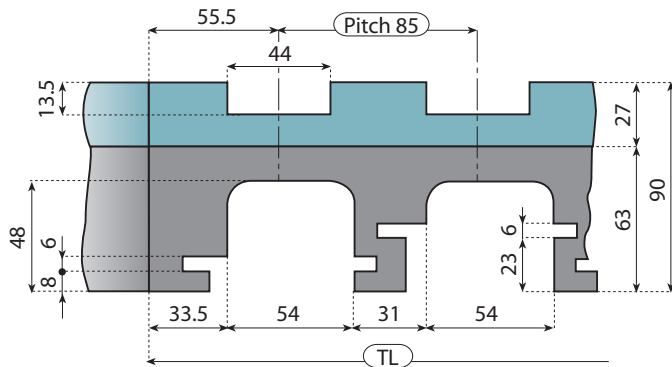


Inserts
 The magnetic corner tracks can be supplied with M8 or M10 brass inserts to your detailed drawing.

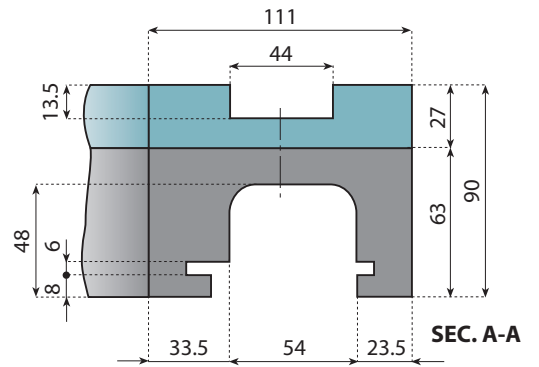
For magnetic chains type see pages 22-23-39-57

MATERIAL Pages 196-197

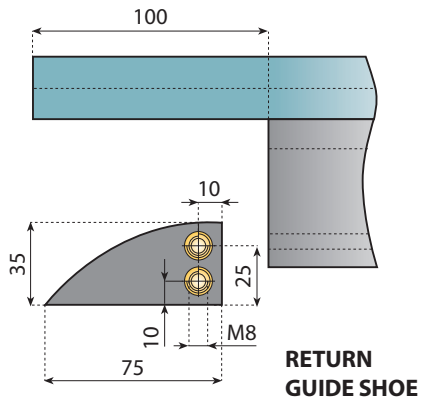
Tracks	Total width TL mm	15°	30°	45°	60°	75°	90°
1	110	KMD.61.15.01.B	KMD.61.30.01.B	KMD.61.45.01.B	KMD.61.60.01.B	KMD.61.75.01.B	KMD.61.90.01.B
2	195	KMD.61.15.02.B	KMD.61.30.02.B	KMD.61.45.02.B	KMD.61.60.02.B	KMD.61.75.02.B	KMD.61.90.02.B
3	280	KMD.61.15.03.B	KMD.61.30.03.B	KMD.61.45.03.B	KMD.61.60.03.B	KMD.61.75.03.B	KMD.61.90.03.B
4	365	KMD.61.15.04.B	KMD.61.30.04.B	KMD.61.45.04.B	KMD.61.60.04.B	KMD.61.75.04.B	KMD.61.90.04.B
5	450	KMD.61.15.05.B	KMD.61.30.05.B	KMD.61.45.05.B	KMD.61.60.05.B	KMD.61.75.05.B	KMD.61.90.05.B
6	535	KMD.61.15.06.B	KMD.61.30.06.B	KMD.61.45.06.B	KMD.61.60.06.B	KMD.61.75.06.B	KMD.61.90.06.B
7	620	KMD.61.15.07.B	KMD.61.30.07.B	KMD.61.45.07.B	KMD.61.60.07.B	KMD.61.75.07.B	KMD.61.90.07.B
8	705	KMD.61.15.08.B	KMD.61.30.08.B	KMD.61.45.08.B	KMD.61.60.08.B	KMD.61.75.08.B	KMD.61.90.08.B



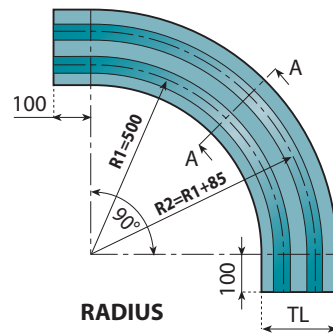
MULTI TRACKS



ONE TRACK



RETURN GUIDE SHOE

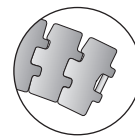


RADIUS

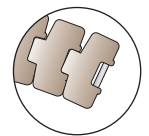
NOW AVAILABLE IN
"NOLU-S"
MATERIAL !

For further information see page 198

- More tracks and different angles available on request.



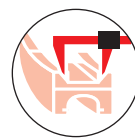
For (stainless) steel magnetic chains, type: 881 M - 881 MO



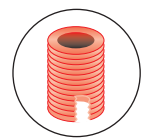
For plastic magnetic chains, type: 879 M - 880 M



Magnetic corner tracks special materials
 On request magnetic corner tracks for high speed and extremely abrasive applications can be supplied.



Magnetic corner tracks special dimensions
 On request magnetic corner tracks with special dimensions can be produced.



Inserts
 The magnetic corner tracks can be supplied with M8 or M10 brass inserts to your detailed drawing.

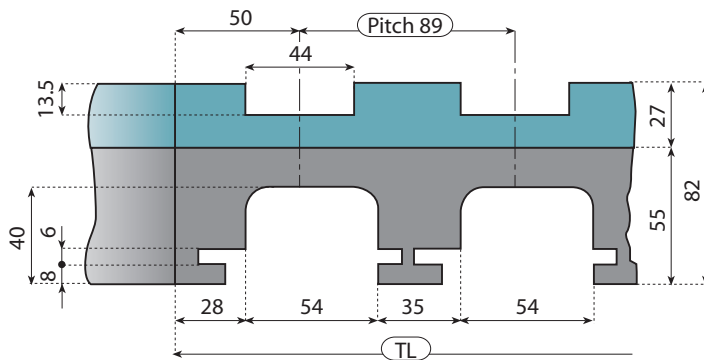


For magnetic chains type see pages 22-23-39-57

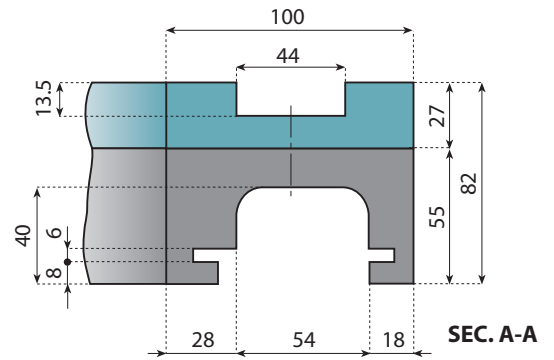


Pages 196-197

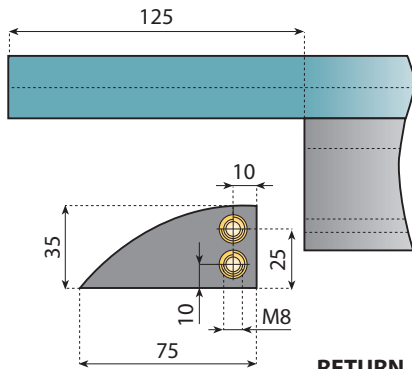
Tracks	Total width TL mm	15°	30°	45°	60°	75°	90°
1	111	KMD.05.15.01.B	KMD.05.30.01.B	KMD.05.45.01.B	KMD.05.60.01.B	KMD.05.75.01.B	KMD.05.90.01.B
2	196	KMD.05.15.02.B	KMD.05.30.02.B	KMD.05.45.02.B	KMD.05.60.02.B	KMD.05.75.02.B	KMD.05.90.02.B
3	281	KMD.05.15.03.B	KMD.05.30.03.B	KMD.05.45.03.B	KMD.05.60.03.B	KMD.05.75.03.B	KMD.05.90.03.B
4	366	KMD.05.15.04.B	KMD.05.30.04.B	KMD.05.45.04.B	KMD.05.60.04.B	KMD.05.75.04.B	KMD.05.90.04.B
5	451	KMD.05.15.05.B	KMD.05.30.05.B	KMD.05.45.05.B	KMD.05.60.05.B	KMD.05.75.05.B	KMD.05.90.05.B
6	536	KMD.05.15.06.B	KMD.05.30.06.B	KMD.05.45.06.B	KMD.05.60.06.B	KMD.05.75.06.B	KMD.05.90.06.B
7	621	KMD.05.15.07.B	KMD.05.30.07.B	KMD.05.45.07.B	KMD.05.60.07.B	KMD.05.75.07.B	KMD.05.90.07.B
8	706	KMD.05.15.08.B	KMD.05.30.08.B	KMD.05.45.08.B	KMD.05.60.08.B	KMD.05.75.08.B	KMD.05.90.08.B



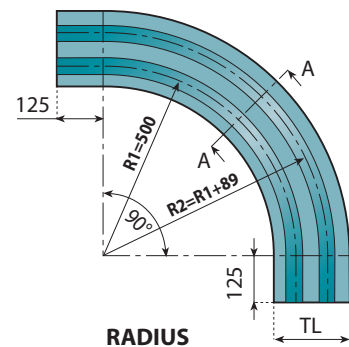
MULTI TRACKS



ONE TRACK



RETURN GUIDE SHOE



RADIUS

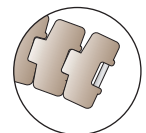
NOW AVAILABLE IN
"NOLU-S"
MATERIAL !

For further information see page 198

- More tracks and different angles available on request.



For (stainless) steel magnetic chains, type: 881 M - 881 MO



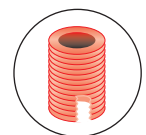
For plastic magnetic chains, type: 879 M - 880 M



Magnetic corner tracks special materials
 On request magnetic corner tracks for high speed and extremely abrasive applications can be supplied.



Magnetic corner tracks special dimensions
 On request magnetic corner tracks with special dimensions can be produced.

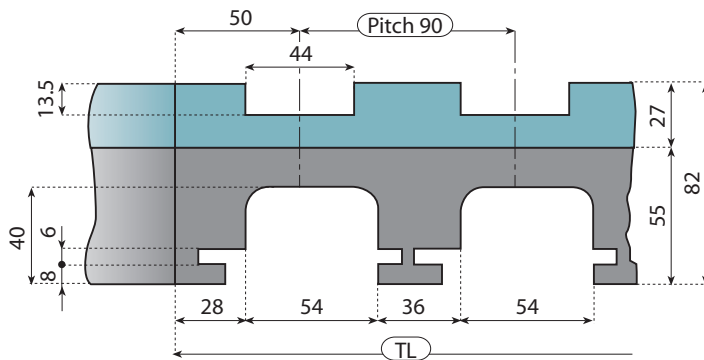


Inserts
 The magnetic corner tracks can be supplied with M8 or M10 brass inserts to your detailed drawing.

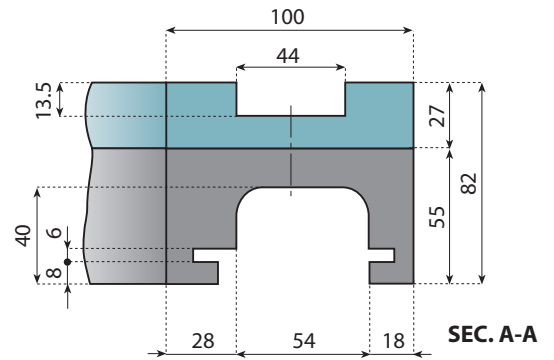
For magnetic chains type see pages 22-23-39-57

MATERIAL Pages 196-197

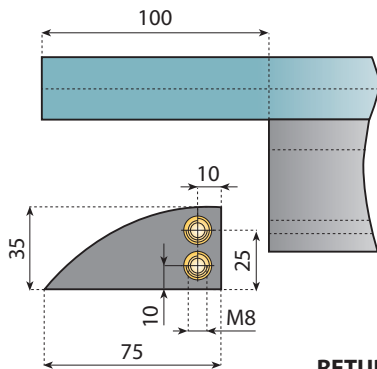
Tracks	Total width TL mm	15°	30°	45°	60°	75°	90°
1	100	KMD.01.15.01.C	KMD.01.30.01.C	KMD.01.45.01.C	KMD.01.60.01.C	KMD.01.75.01.C	KMD.01.90.01.C
2	189	KMD.01.15.02.C	KMD.01.30.02.C	KMD.01.45.02.C	KMD.01.60.02.C	KMD.01.75.02.C	KMD.01.90.02.C
3	278	KMD.01.15.03.C	KMD.01.30.03.C	KMD.01.45.03.C	KMD.01.60.03.C	KMD.01.75.03.C	KMD.01.90.03.C
4	367	KMD.01.15.04.C	KMD.01.30.04.C	KMD.01.45.04.C	KMD.01.60.04.C	KMD.01.75.04.C	KMD.01.90.04.C
5	456	KMD.01.15.05.C	KMD.01.30.05.C	KMD.01.45.05.C	KMD.01.60.05.C	KMD.01.75.05.C	KMD.01.90.05.C
6	545	KMD.01.15.06.C	KMD.01.30.06.C	KMD.01.45.06.C	KMD.01.60.06.C	KMD.01.75.06.C	KMD.01.90.06.C
7	634	KMD.01.15.07.C	KMD.01.30.07.C	KMD.01.45.07.C	KMD.01.60.07.C	KMD.01.75.07.C	KMD.01.90.07.C
8	723	KMD.01.15.08.C	KMD.01.30.08.C	KMD.01.45.08.C	KMD.01.60.08.C	KMD.01.75.08.C	KMD.01.90.08.C



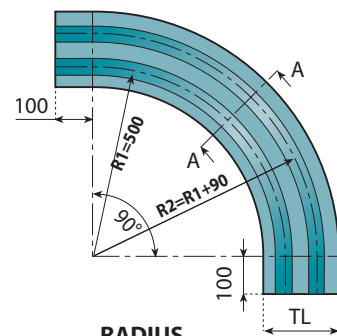
MULTI TRACKS



ONE TRACK



RETURN GUIDE SHOE



RADIUS

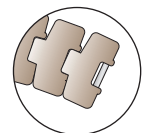
NOW AVAILABLE IN
"NOLU-S"
MATERIAL !

For further information see page 198

- More tracks and different angles available on request.



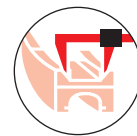
For (stainless) steel magnetic chains, type: 881 M - 881 MO



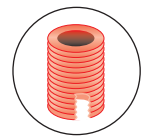
For plastic magnetic chains, type: 879 M - 880 M



Magnetic corner tracks special materials
 On request magnetic corner tracks for high speed and extremely abrasive applications can be supplied.



Magnetic corner tracks special dimensions
 On request magnetic corner tracks with special dimensions can be produced.

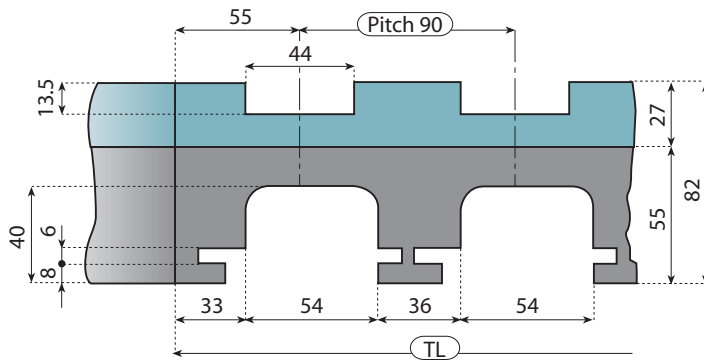


Inserts
 The magnetic corner tracks can be supplied with M8 or M10 brass inserts to your detailed drawing.

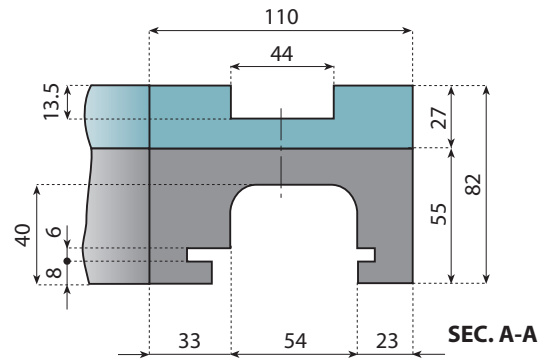
For magnetic chains type see pages 22-23-39-57

MATERIAL Pages 196-197

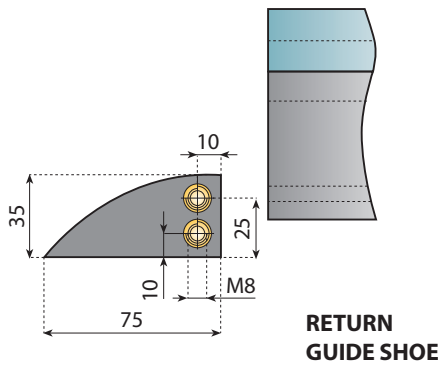
Tracks	Total width TL mm	15°	30°	45°	60°	75°	90°
1	100	KMD.02.15.01.B	KMD.02.30.01.B	KMD.02.45.01.B	KMD.02.60.01.B	KMD.02.75.01.B	KMD.02.90.01.B
2	190	KMD.02.15.02.B	KMD.02.30.02.B	KMD.02.45.02.B	KMD.02.60.02.B	KMD.02.75.02.B	KMD.02.90.02.B
3	280	KMD.02.15.03.B	KMD.02.30.03.B	KMD.02.45.03.B	KMD.02.60.03.B	KMD.02.75.03.B	KMD.02.90.03.B
4	370	KMD.02.15.04.B	KMD.02.30.04.B	KMD.02.45.04.B	KMD.02.60.04.B	KMD.02.75.04.B	KMD.02.90.04.B
5	460	KMD.02.15.05.B	KMD.02.30.05.B	KMD.02.45.05.B	KMD.02.60.05.B	KMD.02.75.05.B	KMD.02.90.05.B
6	550	KMD.02.15.06.B	KMD.02.30.06.B	KMD.02.45.06.B	KMD.02.60.06.B	KMD.02.75.06.B	KMD.02.90.06.B
7	640	KMD.02.15.07.B	KMD.02.30.07.B	KMD.02.45.07.B	KMD.02.60.07.B	KMD.02.75.07.B	KMD.02.90.07.B
8	730	KMD.02.15.08.B	KMD.02.30.08.B	KMD.02.45.08.B	KMD.02.60.08.B	KMD.02.75.08.B	KMD.02.90.08.B



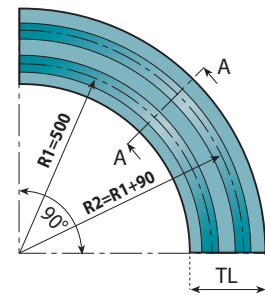
MULTI TRACKS



ONE TRACK



RETURN GUIDE SHOE

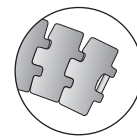


RADIUS

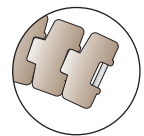
NOW AVAILABLE IN
"NOLU-S"
MATERIAL !

For further information see page 198

- More tracks and different angles available on request.



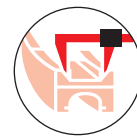
For (stainless) steel magnetic chains, type: 881 M - 881 MO



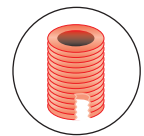
For plastic magnetic chains, type: 879 M - 880 M



Magnetic corner tracks special materials
 On request magnetic corner tracks for high speed and extremely abrasive applications can be supplied.



Magnetic corner tracks special dimensions
 On request magnetic corner tracks with special dimensions can be produced.



Inserts
 The magnetic corner tracks can be supplied with M8 or M10 brass inserts to your detailed drawing.

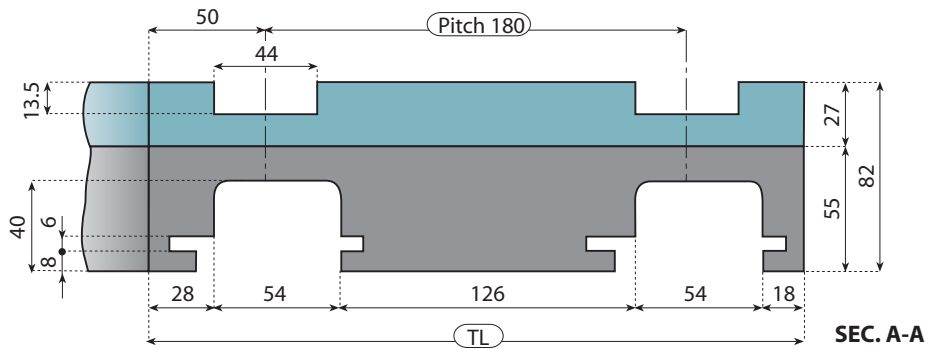


For magnetic chains type see pages 22-23-39-57

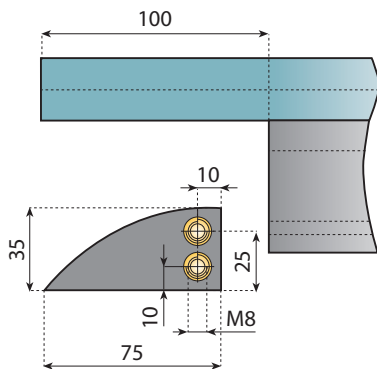


Pages 196-197

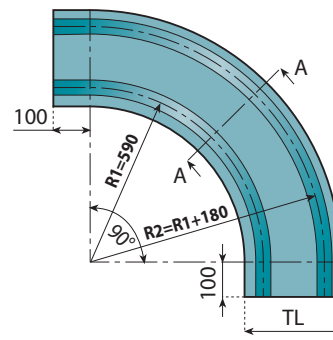
Tracks	Total width TL mm	15°	30°	45°	60°	75°	90°
1	110	KMD.04.15.01.A	KMD.04.30.01.A	KMD.04.45.01.A	KMD.04.60.01.A	KMD.04.75.01.A	KMD.04.90.01.A
2	200	KMD.04.15.02.A	KMD.04.30.02.A	KMD.04.45.02.A	KMD.04.60.02.A	KMD.04.75.02.A	KMD.04.90.02.A
3	290	KMD.04.15.03.A	KMD.04.30.03.A	KMD.04.45.03.A	KMD.04.60.03.A	KMD.04.75.03.A	KMD.04.90.03.A
4	380	KMD.04.15.04.A	KMD.04.30.04.A	KMD.04.45.04.A	KMD.04.60.04.A	KMD.04.75.04.A	KMD.04.90.04.A
5	470	KMD.04.15.05.A	KMD.04.30.05.A	KMD.04.45.05.A	KMD.04.60.05.A	KMD.04.75.05.A	KMD.04.90.05.A
6	560	KMD.04.15.06.A	KMD.04.30.06.A	KMD.04.45.06.A	KMD.04.60.06.A	KMD.04.75.06.A	KMD.04.90.06.A
7	650	KMD.04.15.07.A	KMD.04.30.07.A	KMD.04.45.07.A	KMD.04.60.07.A	KMD.04.75.07.A	KMD.04.90.07.A
8	740	KMD.04.15.08.A	KMD.04.30.08.A	KMD.04.45.08.A	KMD.04.60.08.A	KMD.04.75.08.A	KMD.04.90.08.A



MULTI TRACKS



RETURN GUIDE SHOE

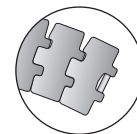


RADIUS

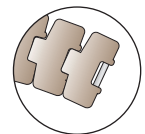
NOW AVAILABLE IN
"NOLU-S"
MATERIAL !

For further information see page 198

- Different angles available on request.



For (stainless) steel magnetic chains, type: 881 M - 881 MO



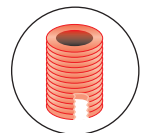
For plastic magnetic chains, type: 879 M - 880 M



Magnetic corner tracks special materials
 On request magnetic corner tracks for high speed and extremely abrasive applications can be supplied.



Magnetic corner tracks special dimensions
 On request magnetic corner tracks with special dimensions can be produced.



Inserts
 The magnetic corner tracks can be supplied with M8 or M10 brass inserts to your detailed drawing.

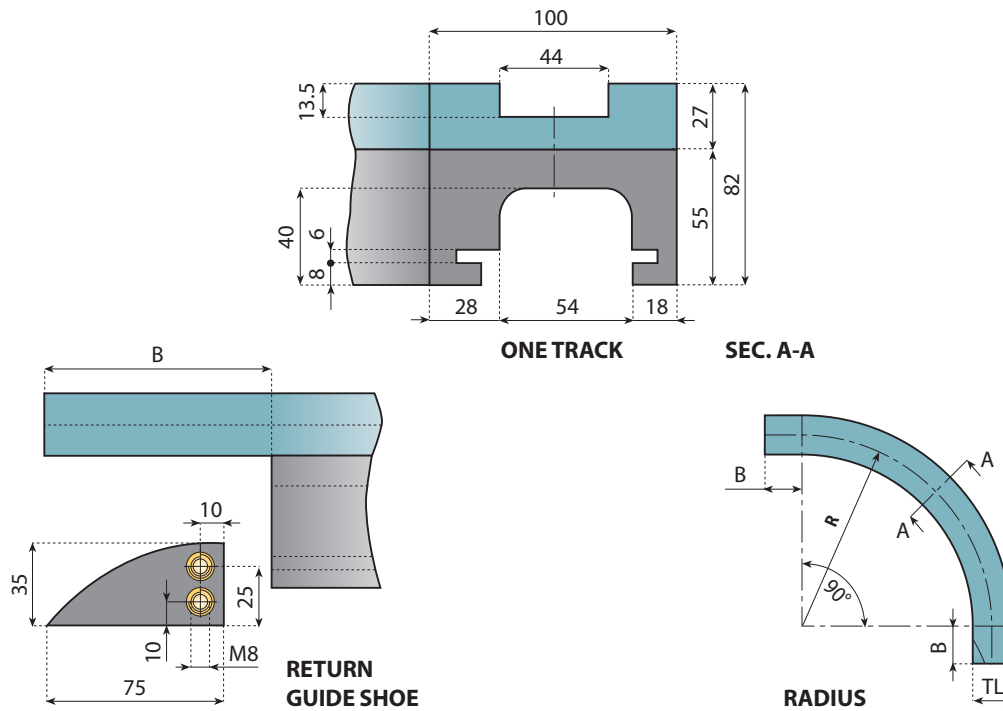


For magnetic chains type see pages 22-23-39-57



Pages 196-197

Tracks	Total width TL mm	15°	30°	45°	60°	75°	90°
2	280	KMD.06.15.02.B	KMD.06.30.02.B	KMD.06.45.02.B	KMD.06.60.02.B	KMD.06.75.02.B	KMD.06.90.02.B



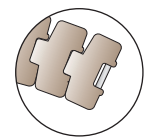
NOW AVAILABLE IN
"NOLU-S"
MATERIAL !

For further information see page 198

- More tracks and different angles available on request.



For (stainless) steel magnetic chains, type: 881 M - 881 MO



For plastic magnetic chains, type: 879 M - 880 M



For magnetic chains type see pages 22-23-39-57



Pages 196-197

K5A

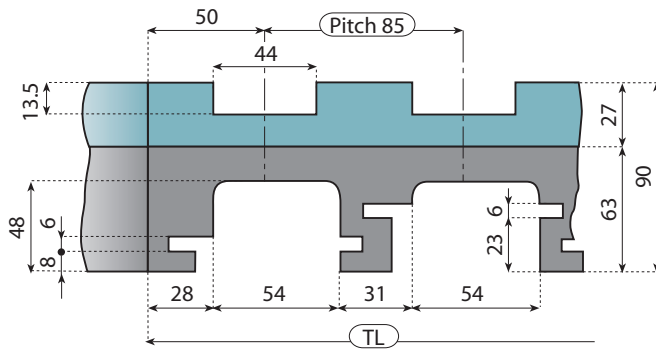
Tracks	R	Total width TL mm	Infeed Length B mm	15°	30°	45°	60°	75°	90°
1	680	100	100	KMD.07.15.01.B	KMD.07.30.01.B	KMD.07.45.01.B	KMD.07.60.01.B	KMD.07.75.01.B	KMD.07.90.01.B

K5C

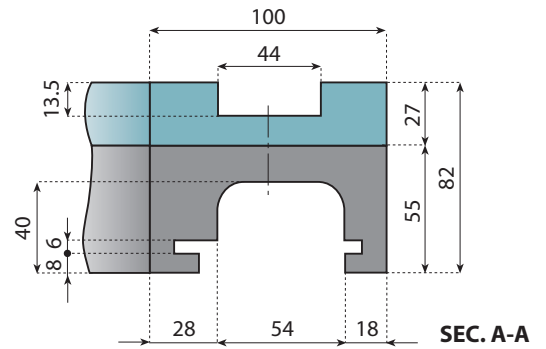
Tracks	R	Total width TL mm	Infeed Length B mm	15°	30°	45°	60°	75°	90°
1	860	100	125	KMD.09.15.01.C	KMD.09.30.01.C	KMD.09.45.01.C	KMD.09.60.01.C	KMD.09.75.01.C	KMD.09.90.01.C

K5D

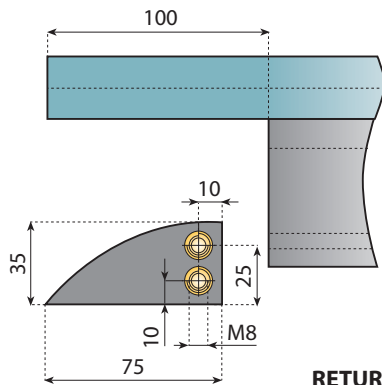
Tracks	R	Total width TL mm	Infeed Length B mm	15°	30°	45°	60°	75°	90°
1	1000	100	0	KMD.10.15.01.A	KMD.10.30.01.A	KMD.10.45.01.A	KMD.10.60.01.A	KMD.10.75.01.A	KMD.10.90.01.A



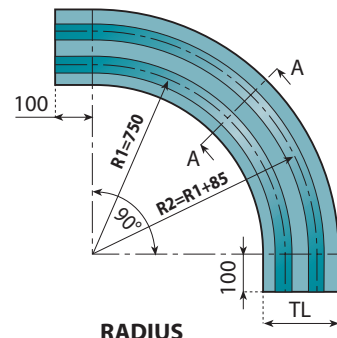
MULTI TRACKS



ONE TRACK



RETURN GUIDE SHOE



RADIUS

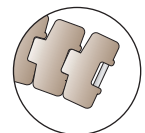
NOW AVAILABLE IN
"NOLU-S"
MATERIAL !

For further information see page 198

- More tracks and different angles available on request.



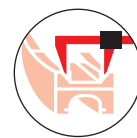
For (stainless) steel magnetic chains, type: 881 M - 881 MO



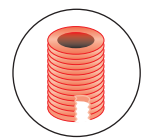
For plastic magnetic chains, type: 879 M - 880 M



Magnetic corner tracks special materials
 On request magnetic corner tracks for high speed and extremely abrasive applications can be supplied.



Magnetic corner tracks special dimensions
 On request magnetic corner tracks with special dimensions can be produced.



Inserts
 The magnetic corner tracks can be supplied with M8 or M10 brass inserts to your detailed drawing.

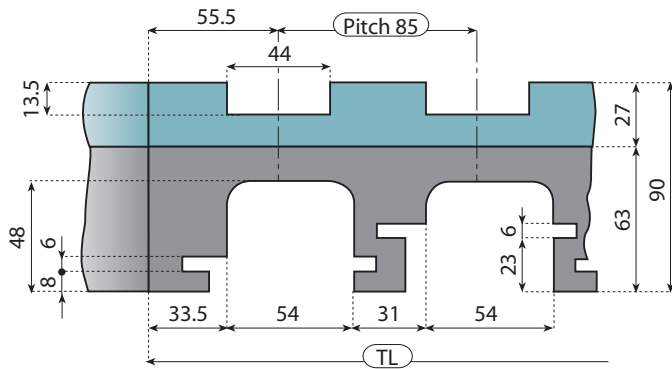


For magnetic chains type see pages 22-23-39-57

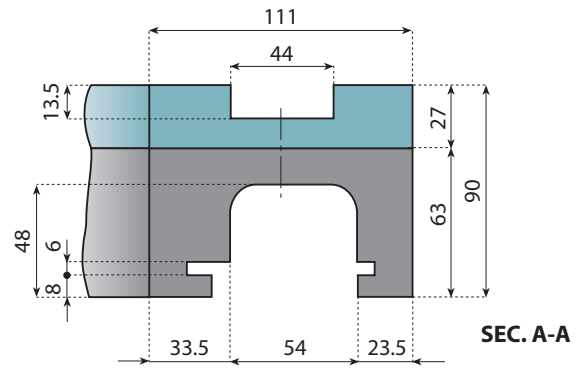


Pages 196-197

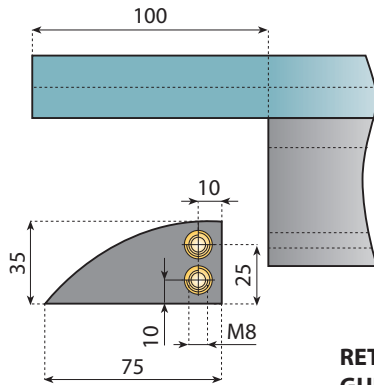
Tracks	Total width TL mm	15°	30°	45°	60°	75°	90°
1	100	KMD.08.15.01.B	KMD.08.30.01.B	KMD.08.45.01.B	KMD.08.60.01.B	KMD.08.75.01.B	KMD.08.90.01.B
2	185	KMD.08.15.02.B	KMD.08.30.02.B	KMD.08.45.02.B	KMD.08.60.02.B	KMD.08.75.02.B	KMD.08.90.02.B
3	270	KMD.08.15.03.B	KMD.08.30.03.B	KMD.08.45.03.B	KMD.08.60.03.B	KMD.08.75.03.B	KMD.08.90.03.B
4	355	KMD.08.15.04.B	KMD.08.30.04.B	KMD.08.45.04.B	KMD.08.60.04.B	KMD.08.75.04.B	KMD.08.90.04.B
5	440	KMD.08.15.05.B	KMD.08.30.05.B	KMD.08.45.05.B	KMD.08.60.05.B	KMD.08.75.05.B	KMD.08.90.05.B
6	525	KMD.08.15.06.B	KMD.08.30.06.B	KMD.08.45.06.B	KMD.08.60.06.B	KMD.08.75.06.B	KMD.08.90.06.B
7	610	KMD.08.15.07.B	KMD.08.30.07.B	KMD.08.45.07.B	KMD.08.60.07.B	KMD.08.75.07.B	KMD.08.90.07.B
8	695	KMD.08.15.08.B	KMD.08.30.08.B	KMD.08.45.08.B	KMD.08.60.08.B	KMD.08.75.08.B	KMD.08.90.08.B



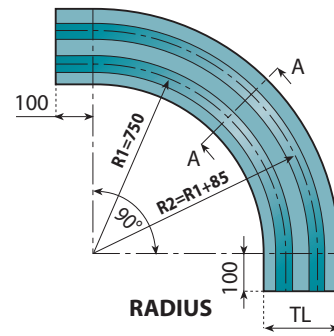
MULTI TRACKS



ONE TRACK



RETURN GUIDE SHOE



RADIUS

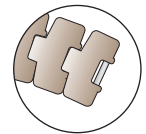
NOW AVAILABLE IN
"NOLU-S"
MATERIAL !

For further information see page 198

- More tracks and different angles available on request.



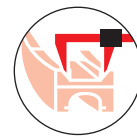
For (stainless) steel magnetic chains, type: 881 M - 881 MO



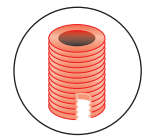
For plastic magnetic chains, type: 879 M - 880 M



Magnetic corner tracks special materials
 On request magnetic corner tracks for high speed and extremely abrasive applications can be supplied.



Magnetic corner tracks special dimensions
 On request magnetic corner tracks with special dimensions can be produced.

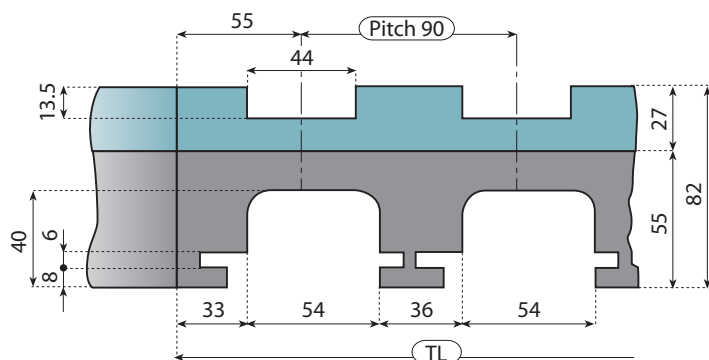


Inserts
 The magnetic corner tracks can be supplied with M8 or M10 brass inserts to your detailed drawing.

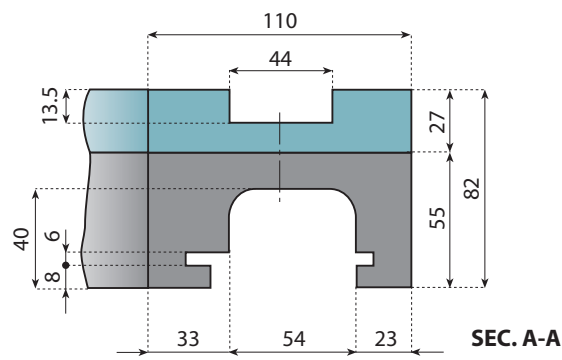
For magnetic chains type see pages 22-23-39-57

MATERIAL Pages 196⇒197

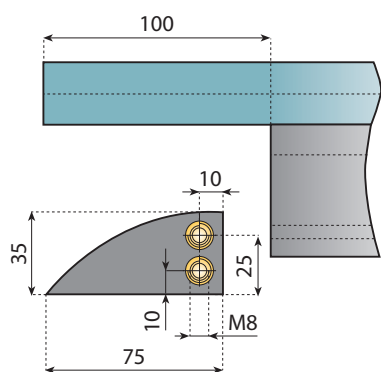
Tracks	Total width TL mm	15°	30°	45°	60°	75°	90°
1	111	KMD.11.15.01.B	KMD.11.30.01.B	KMD.11.45.01.B	KMD.11.60.01.B	KMD.11.75.01.B	KMD.11.90.01.B
2	196	KMD.11.15.02.B	KMD.11.30.02.B	KMD.11.45.02.B	KMD.11.60.02.B	KMD.11.75.02.B	KMD.11.90.02.B
3	281	KMD.11.15.03.B	KMD.11.30.03.B	KMD.11.45.03.B	KMD.11.60.03.B	KMD.11.75.03.B	KMD.11.90.03.B
4	366	KMD.11.15.04.B	KMD.11.30.04.B	KMD.11.45.04.B	KMD.11.60.04.B	KMD.11.75.04.B	KMD.11.90.04.B
5	451	KMD.11.15.05.B	KMD.11.30.05.B	KMD.11.45.05.B	KMD.11.60.05.B	KMD.11.75.05.B	KMD.11.90.05.B
6	536	KMD.11.15.06.B	KMD.11.30.06.B	KMD.11.45.06.B	KMD.11.60.06.B	KMD.11.75.06.B	KMD.11.90.06.B
7	621	KMD.11.15.07.B	KMD.11.30.07.B	KMD.11.45.07.B	KMD.11.60.07.B	KMD.11.75.07.B	KMD.11.90.07.B
8	706	KMD.11.15.08.B	KMD.11.30.08.B	KMD.11.45.08.B	KMD.11.60.08.B	KMD.11.75.08.B	KMD.11.90.08.B



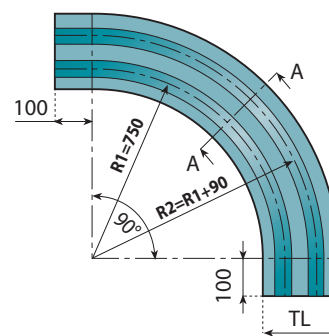
MULTI TRACKS



ONE TRACK



RETURN GUIDE SHOE



RADIUS

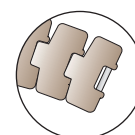
NOW AVAILABLE IN
"NOLU-S"
MATERIAL !

For further information see page 198

- More tracks and different angles available on request.



For (stainless) steel magnetic chains, type: 881 M - 881 MO



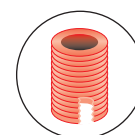
For plastic magnetic chains, type: 879 M - 880 M



Magnetic corner tracks special materials
 On request magnetic corner tracks for high speed and extremely abrasive applications can be supplied.



Magnetic corner tracks special dimensions
 On request magnetic corner tracks with special dimensions can be produced.



Inserts
 The magnetic corner tracks can be supplied with M8 or M10 brass inserts to your detailed drawing.

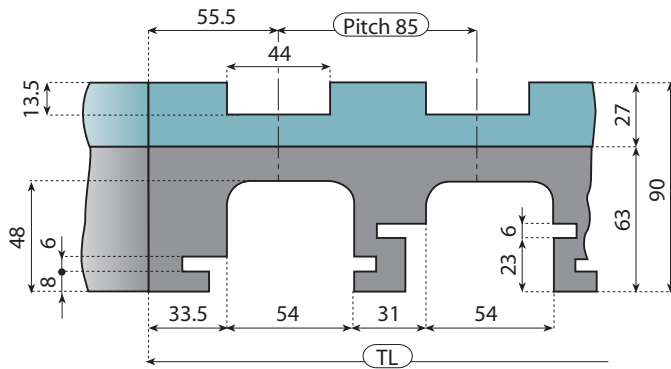


For magnetic chains type see pages 22-23-39-57

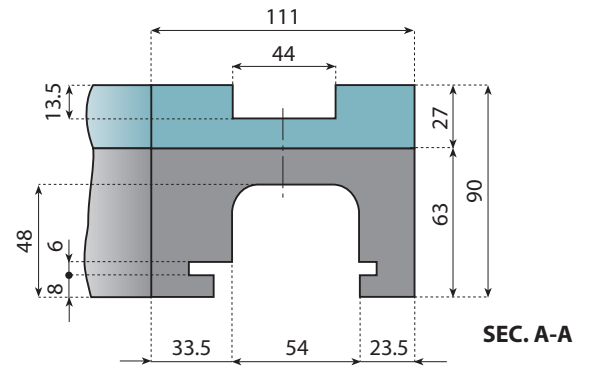


Pages 196-197

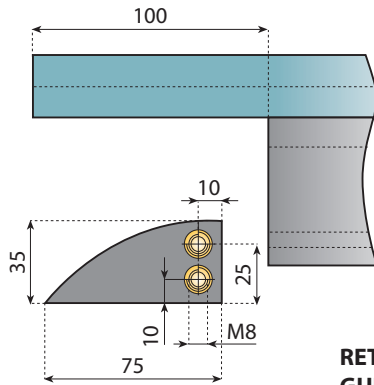
Tracks	Total width TL mm	15°	30°	45°	60°	75°	90°
1	110	KMD.62.15.01.B	KMD.62.30.01.B	KMD.62.45.01.B	KMD.62.60.01.B	KMD.62.75.01.B	KMD.62.90.01.B
2	200	KMD.62.15.02.B	KMD.62.30.02.B	KMD.62.45.02.B	KMD.62.60.02.B	KMD.62.75.02.B	KMD.62.90.02.B
3	290	KMD.62.15.03.B	KMD.62.30.03.B	KMD.62.45.03.B	KMD.62.60.03.B	KMD.62.75.03.B	KMD.62.90.03.B
4	380	KMD.62.15.04.B	KMD.62.30.04.B	KMD.62.45.04.B	KMD.62.60.04.B	KMD.62.75.04.B	KMD.62.90.04.B
5	470	KMD.62.15.05.B	KMD.62.30.05.B	KMD.62.45.05.B	KMD.62.60.05.B	KMD.62.75.05.B	KMD.62.90.05.B
6	560	KMD.62.15.06.B	KMD.62.30.06.B	KMD.62.45.06.B	KMD.62.60.06.B	KMD.62.75.06.B	KMD.62.90.06.B
7	650	KMD.62.15.07.B	KMD.62.30.07.B	KMD.62.45.07.B	KMD.62.60.07.B	KMD.62.75.07.B	KMD.62.90.07.B
8	740	KMD.62.15.08.B	KMD.62.30.08.B	KMD.62.45.08.B	KMD.62.60.08.B	KMD.62.75.08.B	KMD.62.90.08.B



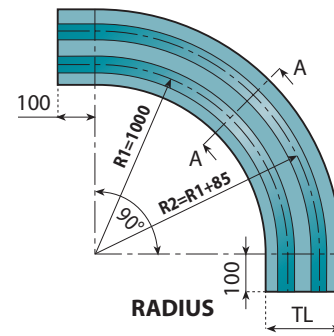
MULTI TRACKS



ONE TRACK



RETURN GUIDE SHOE



RADIUS

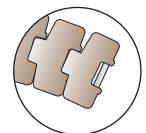
NOW AVAILABLE IN
"NOLU-S"
MATERIAL !

For further information see page 198

- More tracks and different angles available on request.



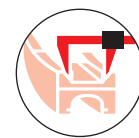
For (stainless) steel magnetic chains, type: 881 M - 881 MO



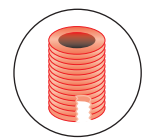
For plastic magnetic chains, type: 879 M - 880 M



Magnetic corner tracks special materials
 On request magnetic corner tracks for high speed and extremely abrasive applications can be supplied.



Magnetic corner tracks special dimensions
 On request magnetic corner tracks with special dimensions can be produced.



Inserts
 The magnetic corner tracks can be supplied with M8 or M10 brass inserts to your detailed drawing.

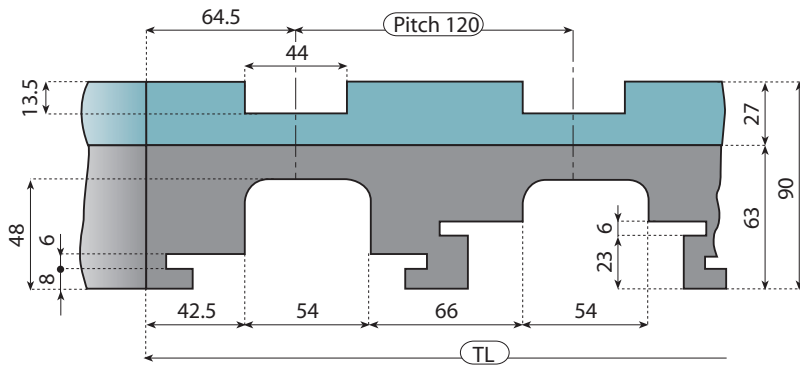


For magnetic chains type see pages 22-23-39-57

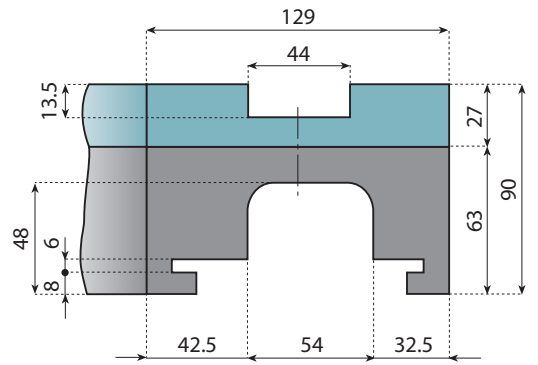


Pages 196⇒197

Tracks	Total width TL mm	15°	30°	45°	60°	75°	90°
1	111	KMD.12.15.01.B	KMD.12.30.01.B	KMD.12.45.01.B	KMD.12.60.01.B	KMD.12.75.01.B	KMD.12.90.01.B
2	196	KMD.12.15.02.B	KMD.12.30.02.B	KMD.12.45.02.B	KMD.12.60.02.B	KMD.12.75.02.B	KMD.12.90.02.B
3	281	KMD.12.15.03.B	KMD.12.30.03.B	KMD.12.45.03.B	KMD.12.60.03.B	KMD.12.75.03.B	KMD.12.90.03.B
4	366	KMD.12.15.04.B	KMD.12.30.04.B	KMD.12.45.04.B	KMD.12.60.04.B	KMD.12.75.04.B	KMD.12.90.04.B
5	451	KMD.12.15.05.B	KMD.12.30.05.B	KMD.12.45.05.B	KMD.12.60.05.B	KMD.12.75.05.B	KMD.12.90.05.B
6	536	KMD.12.15.06.B	KMD.12.30.06.B	KMD.12.45.06.B	KMD.12.60.06.B	KMD.12.75.06.B	KMD.12.90.06.B
7	621	KMD.12.15.07.B	KMD.12.30.07.B	KMD.12.45.07.B	KMD.12.60.07.B	KMD.12.75.07.B	KMD.12.90.07.B
8	706	KMD.12.15.08.B	KMD.12.30.08.B	KMD.12.45.08.B	KMD.12.60.08.B	KMD.12.75.08.B	KMD.12.90.08.B

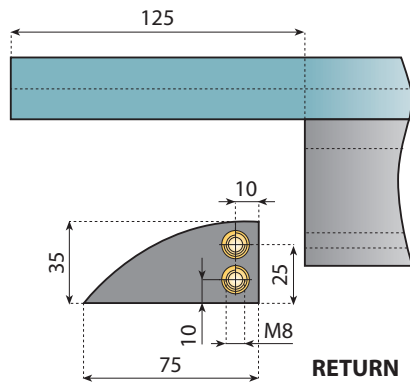


MULTI TRACKS

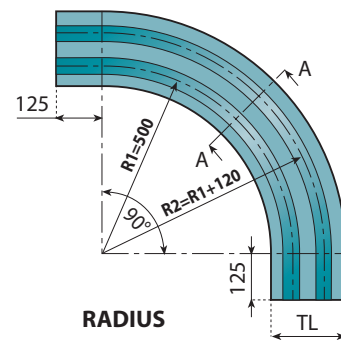


ONE TRACK

SEC. A-A



RETURN GUIDE SHOE



RADIUS

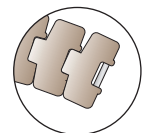
NOW AVAILABLE IN
"NOLU-S"
MATERIAL !

For further information see page 198

- More tracks and different angles available on request.



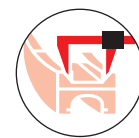
For (stainless) steel magnetic chains, type: 881 M



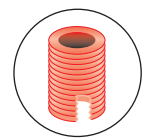
For plastic magnetic chains, type: 879 M - 880 M



Magnetic corner tracks special materials
 On request magnetic corner tracks for high speed and extremely abrasive applications can be supplied.



Magnetic corner tracks special dimensions
 On request magnetic corner tracks with special dimensions can be produced.



Inserts
 The magnetic corner tracks can be supplied with M8 or M10 brass inserts to your detailed drawing.

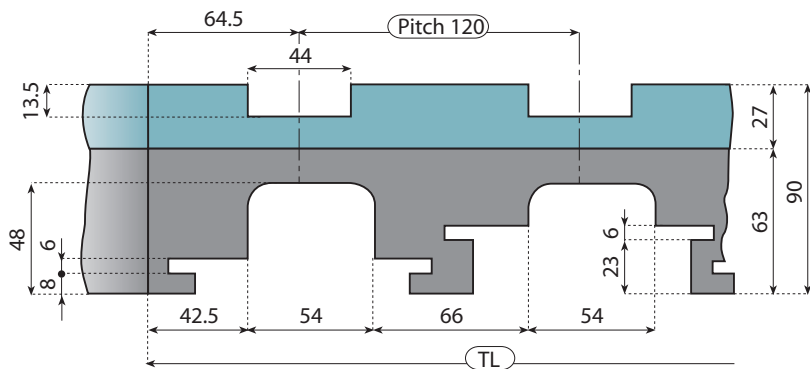


For magnetic chains type see pages 22-23-39-57

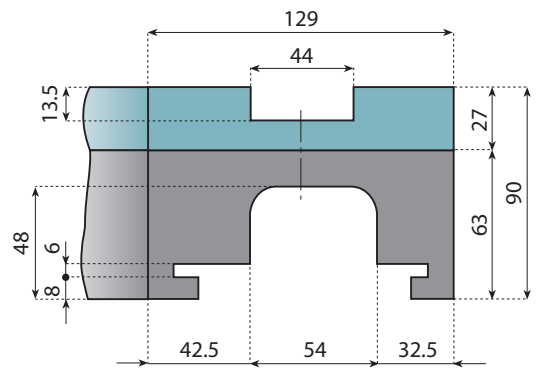


Pages 196-197

Tracks	Total width TL mm	15°	30°	45°	60°	75°	90°
1	129	KMD.21.15.01.C	KMD.21.30.01.C	KMD.21.45.01.C	KMD.21.60.01.C	KMD.21.75.01.C	KMD.21.90.01.C
2	249	KMD.21.15.02.C	KMD.21.30.02.C	KMD.21.45.02.C	KMD.21.60.02.C	KMD.21.75.02.C	KMD.21.90.02.C
3	369	KMD.21.15.03.C	KMD.21.30.03.C	KMD.21.45.03.C	KMD.21.60.03.C	KMD.21.75.03.C	KMD.21.90.03.C
4	489	KMD.21.15.04.C	KMD.21.30.04.C	KMD.21.45.04.C	KMD.21.60.04.C	KMD.21.75.04.C	KMD.21.90.04.C
5	609	KMD.21.15.05.C	KMD.21.30.05.C	KMD.21.45.05.C	KMD.21.60.05.C	KMD.21.75.05.C	KMD.21.90.05.C
6	729	KMD.21.15.06.C	KMD.21.30.06.C	KMD.21.45.06.C	KMD.21.60.06.C	KMD.21.75.06.C	KMD.21.90.06.C
7	849	KMD.21.15.07.C	KMD.21.30.07.C	KMD.21.45.07.C	KMD.21.60.07.C	KMD.21.75.07.C	KMD.21.90.07.C
8	969	KMD.21.15.08.C	KMD.21.30.08.C	KMD.21.45.08.C	KMD.21.60.08.C	KMD.21.75.08.C	KMD.21.90.08.C

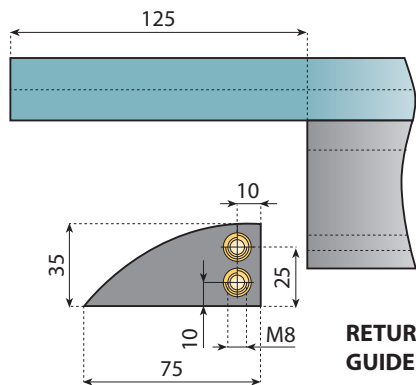


MULTI TRACKS

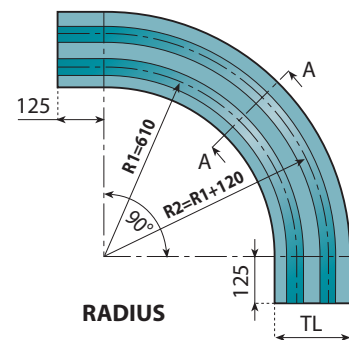


ONE TRACK

SEC. A-A



RETURN GUIDE SHOE

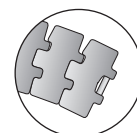


RADIUS

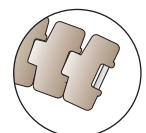
NOW AVAILABLE IN
"NOLU-S"
MATERIAL !

For further information see page 198

- More tracks and different angles available on request.



For (stainless) steel magnetic chains, type: 881 M



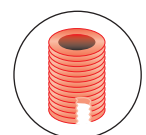
For plastic magnetic chains, type: 879 M - 880 M



Magnetic corner tracks special materials
 On request magnetic corner tracks for high speed and extremely abrasive applications can be supplied.



Magnetic corner tracks special dimensions
 On request magnetic corner tracks with special dimensions can be produced.



Inserts
 The magnetic corner tracks can be supplied with M8 or M10 brass inserts to your detailed drawing.

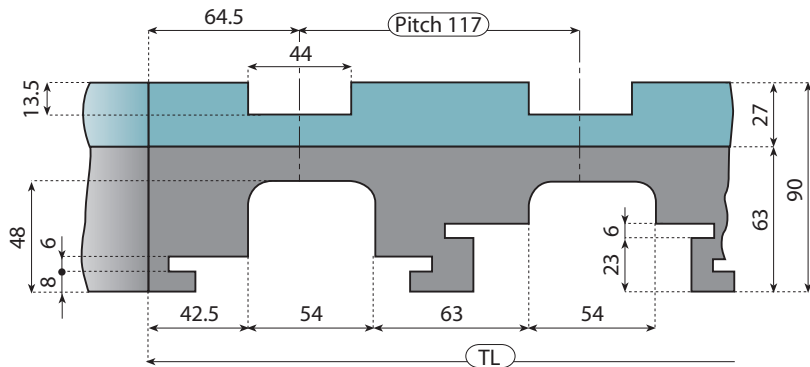


For magnetic chains type see pages 22-39

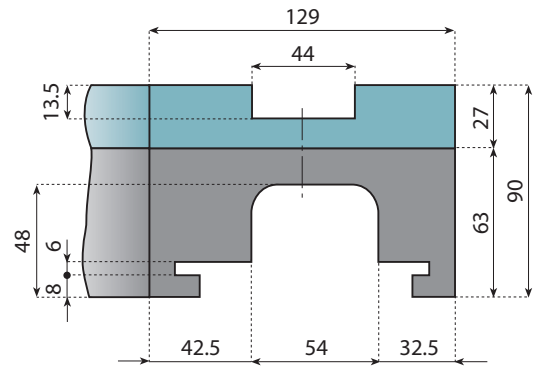


Pages 196-197

Tracks	Total width TL mm	15°	30°	45°	60°	75°	90°
1	129	KMD.22.15.01.C	KMD.22.30.01.C	KMD.22.45.01.C	KMD.22.60.01.C	KMD.22.75.01.C	KMD.22.90.01.C
2	249	KMD.22.15.02.C	KMD.22.30.02.C	KMD.22.45.02.C	KMD.22.60.02.C	KMD.22.75.02.C	KMD.22.90.02.C
3	369	KMD.22.15.03.C	KMD.22.30.03.C	KMD.22.45.03.C	KMD.22.60.03.C	KMD.22.75.03.C	KMD.22.90.03.C
4	489	KMD.22.15.04.C	KMD.22.30.04.C	KMD.22.45.04.C	KMD.22.60.04.C	KMD.22.75.04.C	KMD.22.90.04.C
5	609	KMD.22.15.05.C	KMD.22.30.05.C	KMD.22.45.05.C	KMD.22.60.05.C	KMD.22.75.05.C	KMD.22.90.05.C
6	729	KMD.22.15.06.C	KMD.22.30.06.C	KMD.22.45.06.C	KMD.22.60.06.C	KMD.22.75.06.C	KMD.22.90.06.C
7	849	KMD.22.15.07.C	KMD.22.30.07.C	KMD.22.45.07.C	KMD.22.60.07.C	KMD.22.75.07.C	KMD.22.90.07.C
8	969	KMD.22.15.08.C	KMD.22.30.08.C	KMD.22.45.08.C	KMD.22.60.08.C	KMD.22.75.08.C	KMD.22.90.08.C

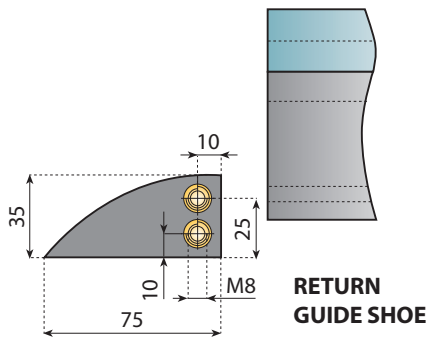


MULTI TRACKS

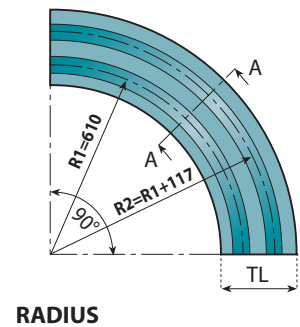


ONE TRACK

SEC. A-A



RETURN GUIDE SHOE



RADIUS

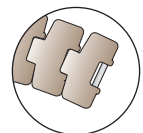
NOW AVAILABLE IN
"NOLU-S"
MATERIAL !

For further information see page 198

- More tracks and different angles available on request.



For (stainless) steel magnetic chains, type: 881 M



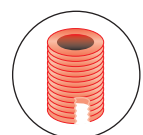
For plastic magnetic chains, type: 879 M - 880 M



Magnetic corner tracks special materials
 On request magnetic corner tracks for high speed and extremely abrasive applications can be supplied.



Magnetic corner tracks special dimensions
 On request magnetic corner tracks with special dimensions can be produced.



Inserts
 The magnetic corner tracks can be supplied with M8 or M10 brass inserts to your detailed drawing.

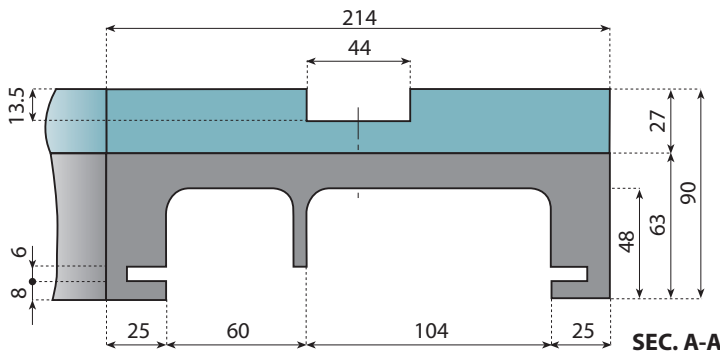


For magnetic chains type see pages 22-39

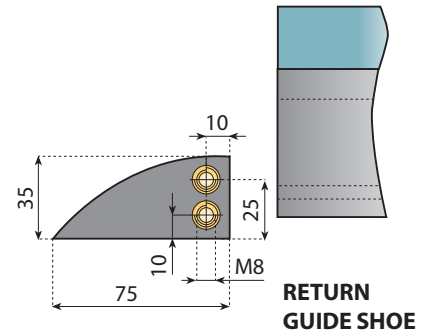


Pages 196-197

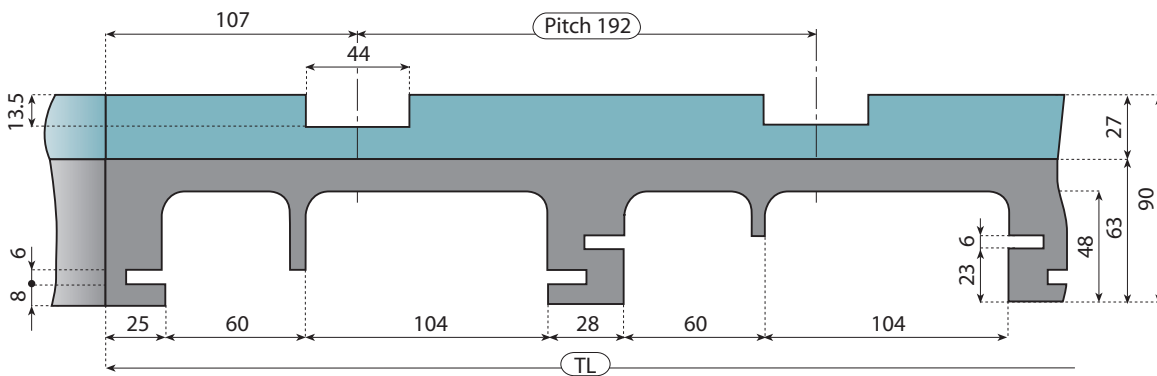
Tracks	Total width TL mm	15°	30°	45°	60°	75°	90°
1	129	KMD.23.15.01.A	KMD.23.30.01.A	KMD.23.45.01.A	KMD.23.60.01.A	KMD.23.75.01.A	KMD.23.90.01.A
2	246	KMD.23.15.02.A	KMD.23.30.02.A	KMD.23.45.02.A	KMD.23.60.02.A	KMD.23.75.02.A	KMD.23.90.02.A
3	363	KMD.23.15.03.A	KMD.23.30.03.A	KMD.23.45.03.A	KMD.23.60.03.A	KMD.23.75.03.A	KMD.23.90.03.A
4	480	KMD.23.15.04.A	KMD.23.30.04.A	KMD.23.45.04.A	KMD.23.60.04.A	KMD.23.75.04.A	KMD.23.90.04.A
5	597	KMD.23.15.05.A	KMD.23.30.05.A	KMD.23.45.05.A	KMD.23.60.05.A	KMD.23.75.05.A	KMD.23.90.05.A
6	714	KMD.23.15.06.A	KMD.23.30.06.A	KMD.23.45.06.A	KMD.23.60.06.A	KMD.23.75.06.A	KMD.23.90.06.A
7	831	KMD.23.15.07.A	KMD.23.30.07.A	KMD.23.45.07.A	KMD.23.60.07.A	KMD.23.75.07.A	KMD.23.90.07.A
8	948	KMD.23.15.08.A	KMD.23.30.08.A	KMD.23.45.08.A	KMD.23.60.08.A	KMD.23.75.08.A	KMD.23.90.08.A



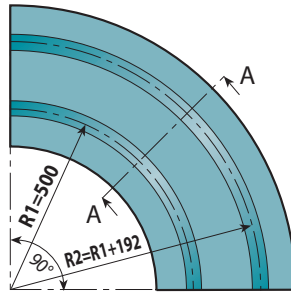
ONE TRACK



RETURN GUIDE SHOE



MULTI TRACKS

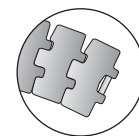


RADIUS

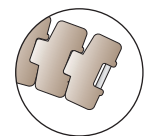
Now available in "NOLU-S" MATERIAL!

For further information see page 198

- More tracks and different angles available on request.



For (stainless) steel magnetic chains, type: 881 M



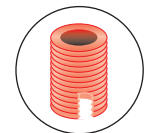
For plastic magnetic chains, type: 880 M



Magnetic corner tracks special materials
On request magnetic corner tracks for high speed and extremely abrasive applications can be supplied.



Magnetic corner tracks special dimensions
On request magnetic corner tracks with special dimensions can be produced.

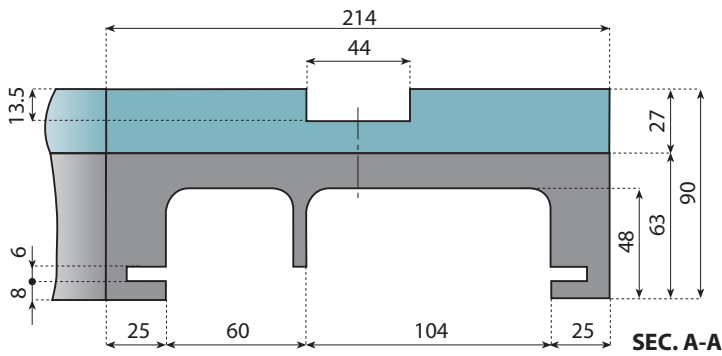


Inserts
The magnetic corner tracks can be supplied with M8 or M10 brass inserts to your detailed drawing.

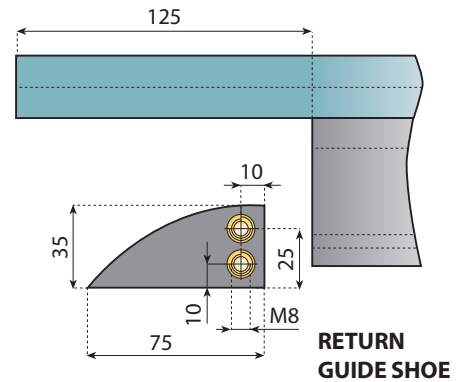
For magnetic chains type see pages 22-39

MATERIAL Pages 196-197

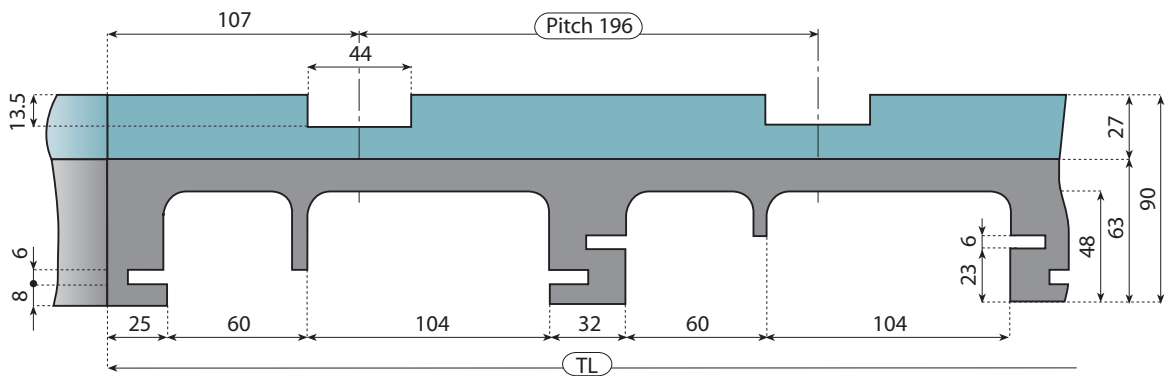
Tracks	Total width TL mm	15°	30°	45°	60°	75°	90°
1	214	KMD.38.15.01.A	KMD.38.30.01.A	KMD.38.45.01.A	KMD.38.60.01.A	KMD.38.75.01.A	KMD.38.90.01.A
2	406	KMD.38.15.02.A	KMD.38.30.02.A	KMD.38.45.02.A	KMD.38.60.02.A	KMD.38.75.02.A	KMD.38.90.02.A
3	602	KMD.38.15.03.A	KMD.38.30.03.A	KMD.38.45.03.A	KMD.38.60.03.A	KMD.38.75.03.A	KMD.38.90.03.A



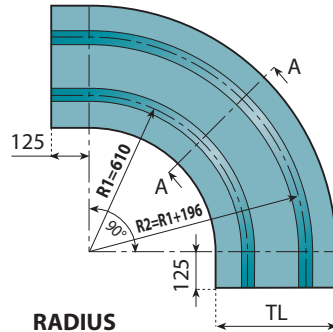
ONE TRACK



RETURN GUIDE SHOE



MULTI TRACKS



RADIUS

NOW AVAILABLE IN
"NOLU-S"
MATERIAL !
 For further information see page 198

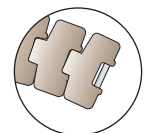
- More tracks and different angles available on request.



Magnetic corner tracks special materials
 On request magnetic corner tracks for high speed and extremely abrasive applications can be supplied.



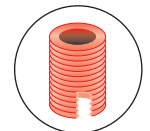
For (stainless) steel magnetic chains, type: 881 M



For plastic magnetic chains, type: 880 M



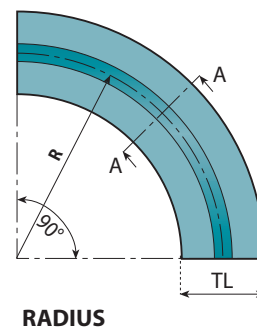
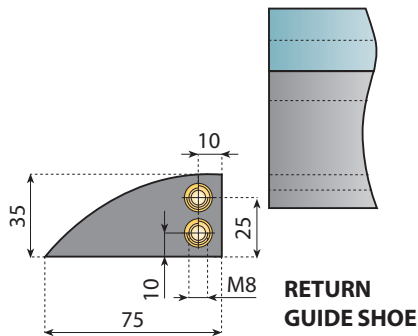
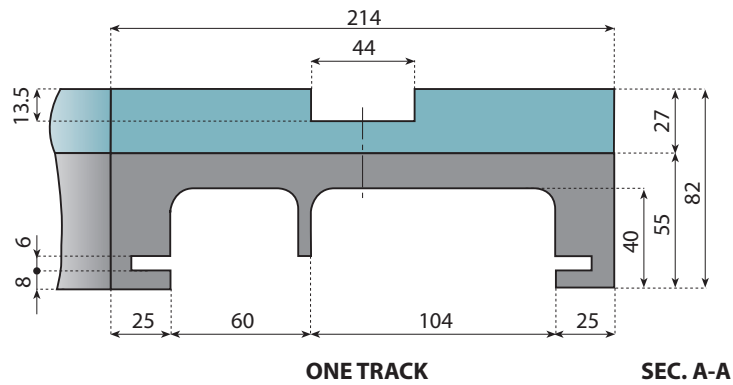
Magnetic corner tracks special dimensions
 On request magnetic corner tracks with special dimensions can be produced.



Inserts
 The magnetic corner tracks can be supplied with M8 or M10 brass inserts to your detailed drawing.

For magnetic chains type see pages 22-39
 MATERIAL Pages 196-197

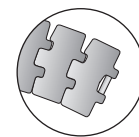
Tracks	Total width TL mm	15°	30°	45°	60°	75°	90°
1	214	KMD.31.15.01.C	KMD.31.30.01.C	KMD.31.45.01.C	KMD.31.60.01.C	KMD.31.75.01.C	KMD.31.90.01.C
2	410	KMD.31.15.02.C	KMD.31.30.02.C	KMD.31.45.02.C	KMD.31.60.02.C	KMD.31.75.02.C	KMD.31.90.02.C
3	606	KMD.31.15.03.C	KMD.31.30.03.C	KMD.31.45.03.C	KMD.31.60.03.C	KMD.31.75.03.C	KMD.31.90.03.C
4	802	KMD.31.15.04.C	KMD.31.30.04.C	KMD.31.45.04.C	KMD.31.60.04.C	KMD.31.75.04.C	KMD.31.90.04.C
5	998	KMD.31.15.05.C	KMD.31.30.05.C	KMD.31.45.05.C	KMD.31.60.05.C	KMD.31.75.05.C	KMD.31.90.05.C
6	1194	KMD.31.15.06.C	KMD.31.30.06.C	KMD.31.45.06.C	KMD.31.60.06.C	KMD.31.75.06.C	KMD.31.90.06.C



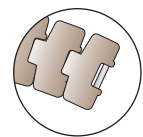
NOW AVAILABLE IN
"NOLU-S"
MATERIAL !

[For further information see page 198](#)

- More tracks and different angles available on request.



For (stainless) steel magnetic chains, type: 881 M



For plastic magnetic chains, type: 880 M



[For magnetic chains type see pages 22-39](#)



[Pages 196-197](#)

K62

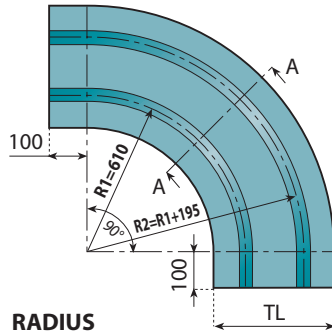
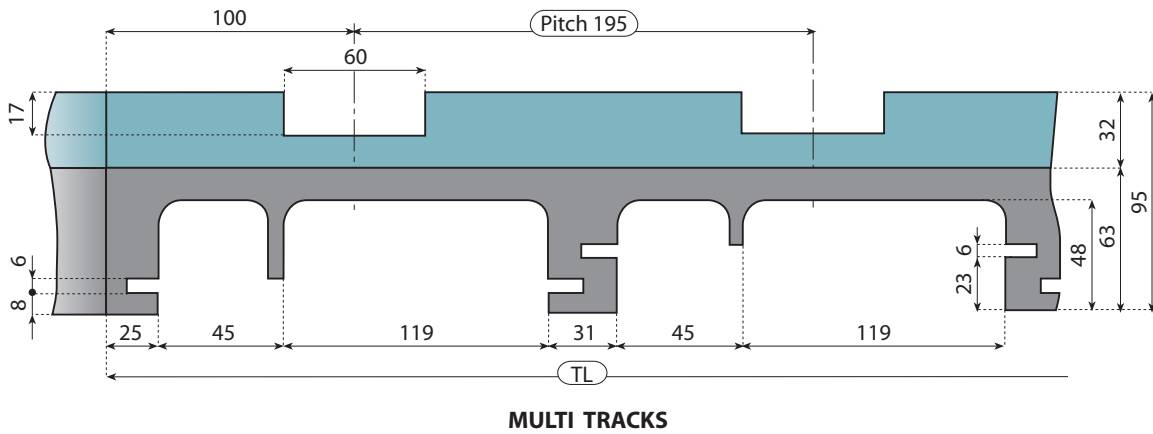
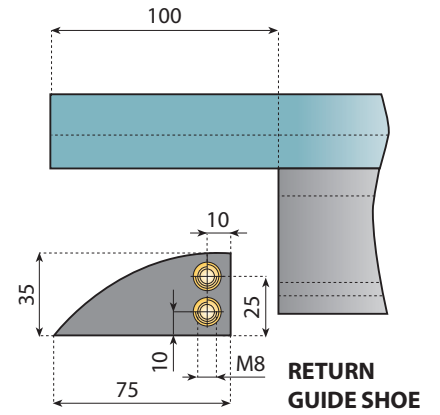
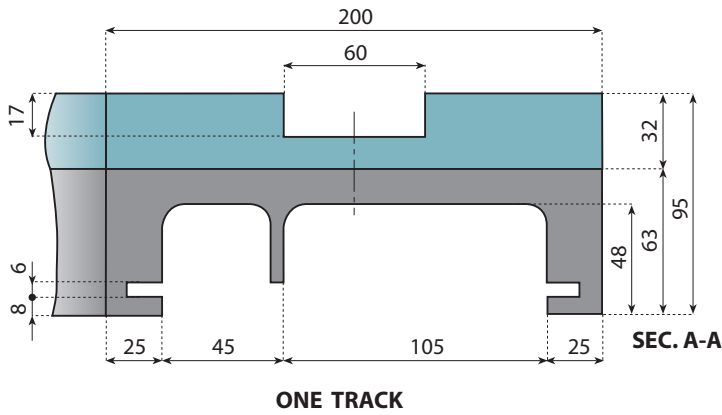
Tracks	R	Total width TL mm	15°	30°	45°	60°	75°	90°
1	750	214	KMD.37.15.01.A	KMD.37.30.01.A	KMD.37.45.01.A	KMD.37.60.01.A	KMD.37.75.01.A	KMD.37.90.01.A

K66

Tracks	R	Total width TL mm	15°	30°	45°	60°	75°	90°
1	860	214	KMD.32.15.01.A	KMD.32.30.01.A	KMD.32.45.01.A	KMD.32.60.01.A	KMD.32.75.01.A	KMD.32.90.01.A

K65

Tracks	R	Total width TL mm	15°	30°	45°	60°	75°	90°
1	1000	214	KMD.33.15.01.A	KMD.33.30.01.A	KMD.33.45.01.A	KMD.33.60.01.A	KMD.33.75.01.A	KMD.33.90.01.A



NOW AVAILABLE IN
"NOLU-S"
MATERIAL !

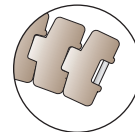
For further information see page 198

- More tracks and different angles available on request.

ONLY FOR PLASTIC CHAINS

For magnetic chains type see pages 43-58

MATERIAL Pages 196-197



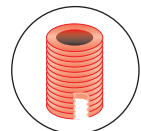
For plastic magnetic chains, type: 882 M



Magnetic corner tracks special materials
 On request magnetic corner tracks for high speed and extremely abrasive applications can be supplied.

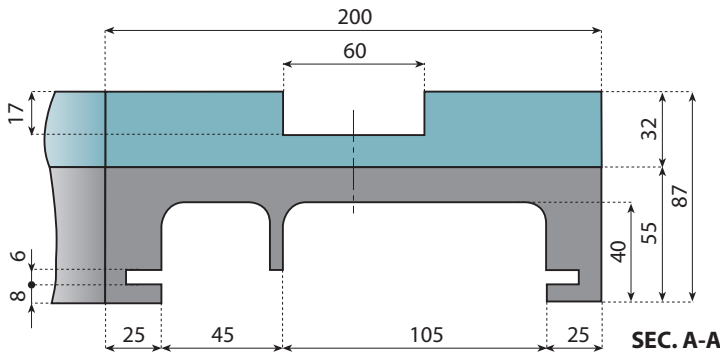


Magnetic corner tracks special dimensions
 On request magnetic corner tracks with special dimensions can be produced.

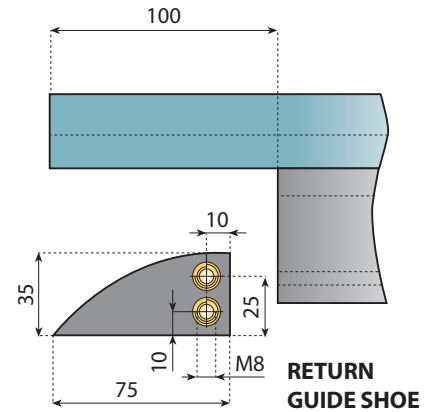


Inserts
 The magnetic corner tracks can be supplied with M8 or M10 brass inserts to your detailed drawing.

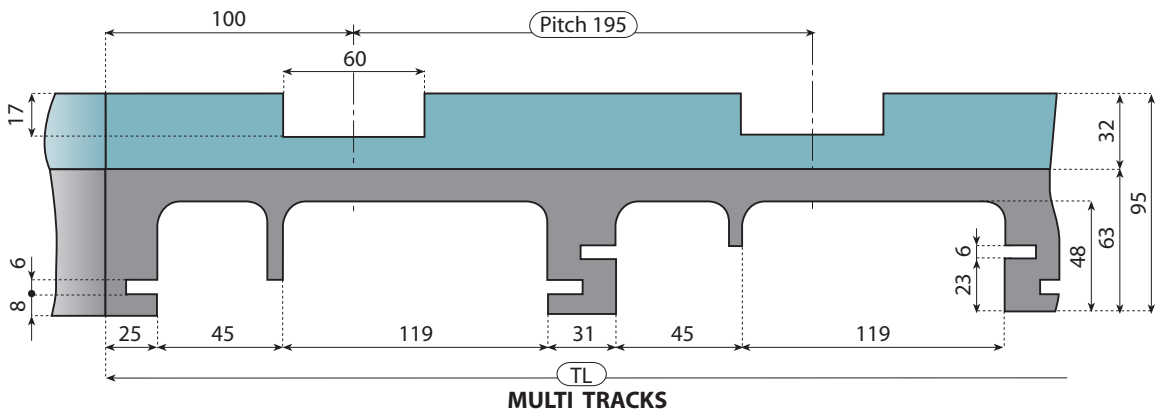
Tracks	Total width TL mm	15°	30°	45°	60°	75°	90°
1	200	KMD.40.15.01.B	KMD.40.30.01.B	KMD.40.45.01.B	KMD.40.60.01.B	KMD.40.75.01.B	KMD.40.90.01.B
2	395	KMD.40.15.02.B	KMD.40.30.02.B	KMD.40.45.02.B	KMD.40.60.02.B	KMD.40.75.02.B	KMD.40.90.02.B
3	590	KMD.40.15.03.B	KMD.40.30.03.B	KMD.40.45.03.B	KMD.40.60.03.B	KMD.40.75.03.B	KMD.40.90.03.B



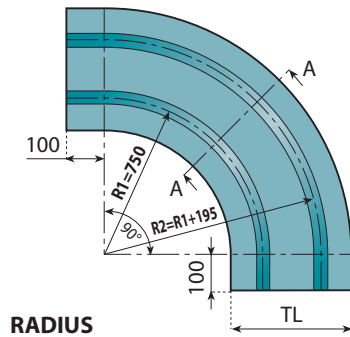
ONE TRACK



RETURN GUIDE SHOE



MULTI TRACKS

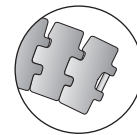


RADIUS

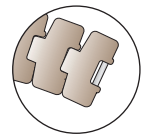
Now available in
"NOLU-S"
 MATERIAL!

For further information see page 198

- More tracks and different angles available on request.



For (stainless) steel magnetic chains, type: 8857 M



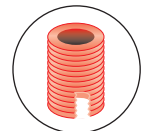
For plastic magnetic chains, type: 882 M



Magnetic corner tracks special materials
 On request magnetic corner tracks for high speed and extremely abrasive applications can be supplied.



Magnetic corner tracks special dimensions
 On request magnetic corner tracks with special dimensions can be produced.

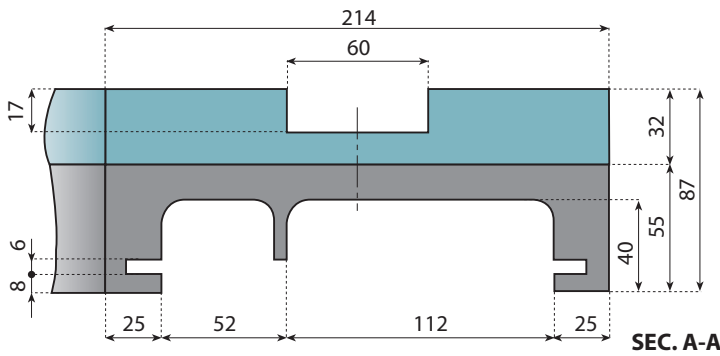


Inserts
 The magnetic corner tracks can be supplied with M8 or M10 brass inserts to your detailed drawing.

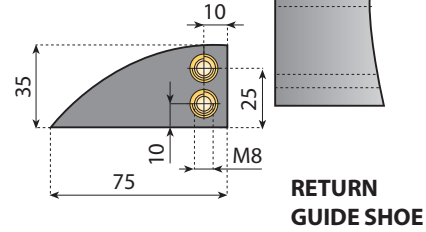
For magnetic chains type see pages 23-30-43-58

MATERIAL Pages 196-197

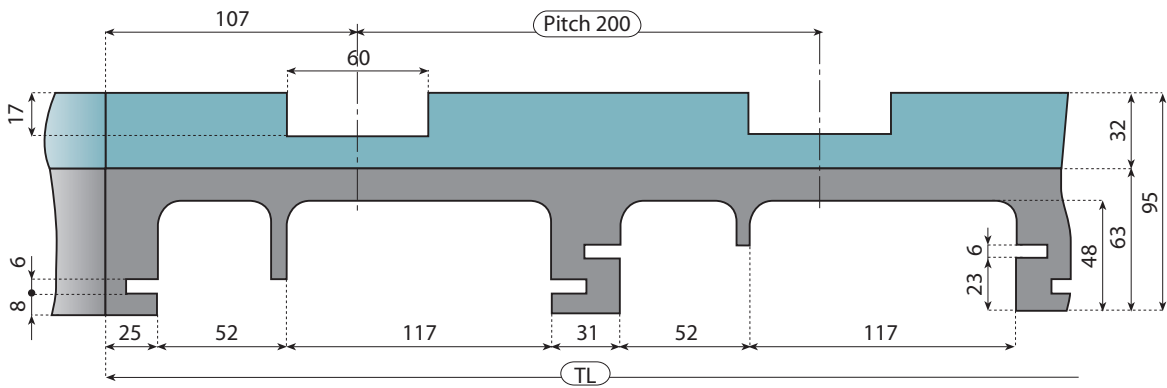
Tracks	Total width TL mm	15°	30°	45°	60°	75°	90°
1	200	KMD.42.15.01.B	KMD.42.30.01.B	KMD.42.45.01.B	KMD.42.60.01.B	KMD.42.75.01.B	KMD.42.90.01.B
2	395	KMD.42.15.02.B	KMD.42.30.02.B	KMD.42.45.02.B	KMD.42.60.02.B	KMD.42.75.02.B	KMD.42.90.02.B
3	590	KMD.42.15.03.B	KMD.42.30.03.B	KMD.42.45.03.B	KMD.42.60.03.B	KMD.42.75.03.B	KMD.42.90.03.B



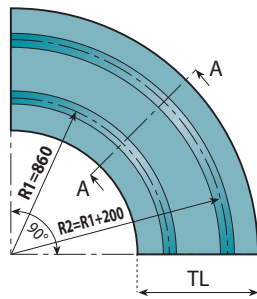
ONE TRACK



RETURN GUIDE SHOE



MULTI TRACKS

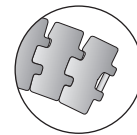


RADIUS

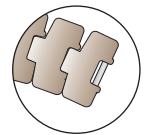
Now available in
"NOLU-S"
 MATERIAL!

For further information see page 198

- More tracks and different angles available on request.



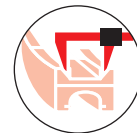
For (stainless) steel magnetic chains, type: 8857 M



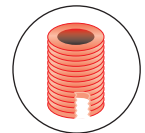
For plastic magnetic chains, type: 882 M



Magnetic corner tracks special materials
 On request magnetic corner tracks for high speed and extremely abrasive applications can be supplied.



Magnetic corner tracks special dimensions
 On request magnetic corner tracks with special dimensions can be produced.



Inserts
 The magnetic corner tracks can be supplied with M8 or M10 brass inserts to your detailed drawing.

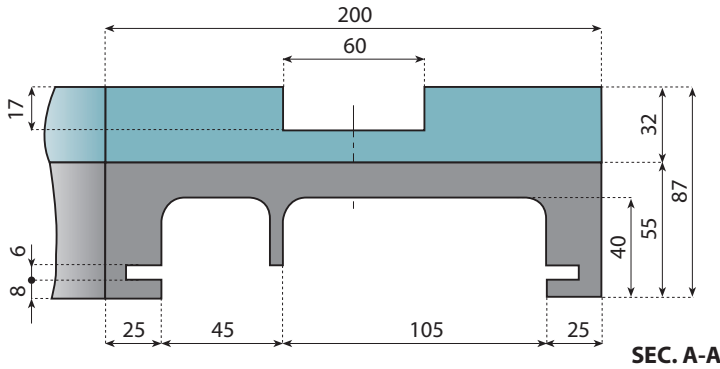


For magnetic chains type see pages 23-30-43-58

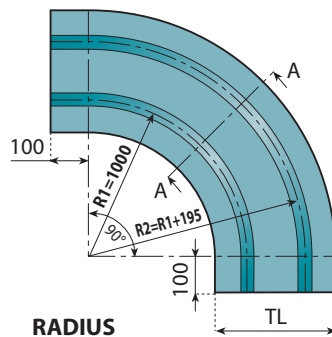
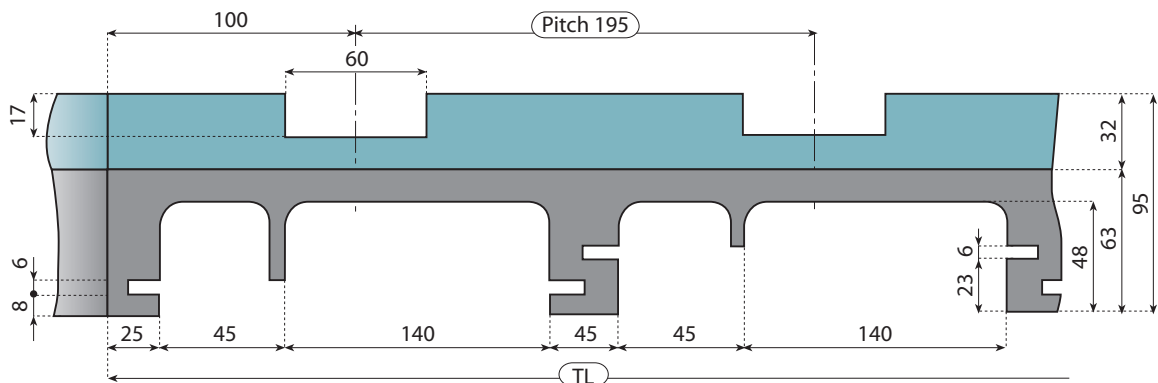
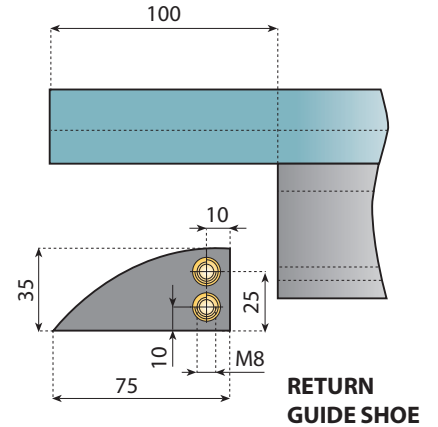


Pages 196→197

Tracks	Total width TL mm	15°	30°	45°	60°	75°	90°
1	214	KMD.41.15.01.A	KMD.41.30.01.A	KMD.41.45.01.A	KMD.41.60.01.A	KMD.41.75.01.A	KMD.41.90.01.A
2	414	KMD.41.15.02.A	KMD.41.30.02.A	KMD.41.45.02.A	KMD.41.60.02.A	KMD.41.75.02.A	KMD.41.90.02.A
3	614	KMD.41.15.03.A	KMD.41.30.03.A	KMD.41.45.03.A	KMD.41.60.03.A	KMD.41.75.03.A	KMD.41.90.03.A



ONE TRACK



NOW AVAILABLE IN
"NOLU-S"
MATERIAL !

For further information see page 198

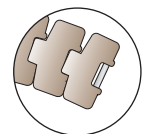
- More tracks and different angles available on request.



Magnetic corner tracks special materials
 On request magnetic corner tracks for high speed and extremely abrasive applications can be supplied.



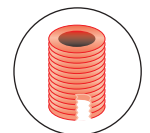
For (stainless) steel magnetic chains, type: 8857 M



For plastic magnetic chains, type: 882 M



Magnetic corner tracks special dimensions
 On request magnetic corner tracks with special dimensions can be produced.

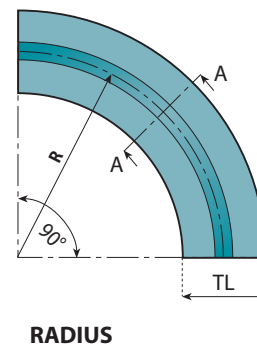
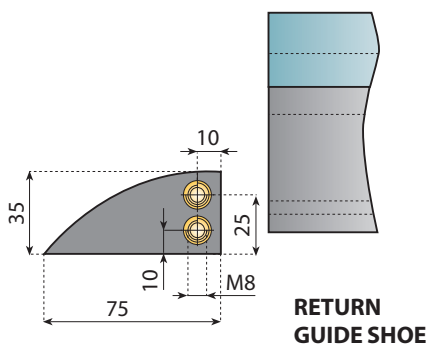
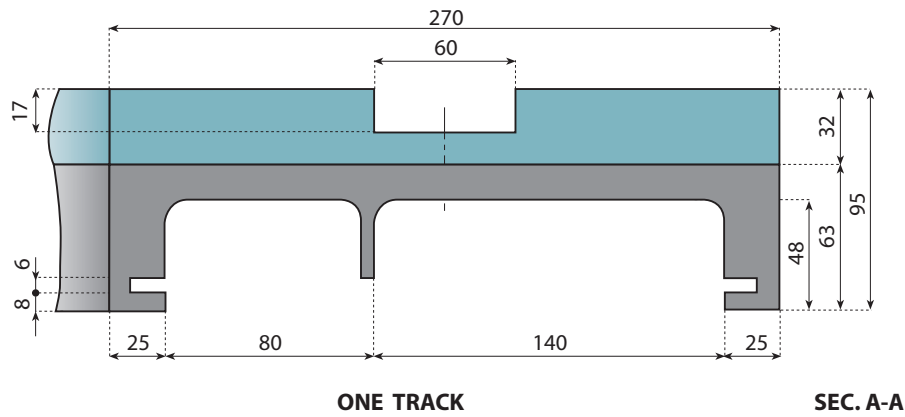


Inserts
 The magnetic corner tracks can be supplied with M8 or M10 brass inserts to your detailed drawing.

For magnetic chains type see pages 23-30-43-58

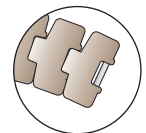
MATERIAL Pages 196→197

Tracks	Total width TL mm	15°	30°	45°	60°	75°	90°
1	200	KMD.39.15.01.B	KMD.39.30.01.B	KMD.39.45.01.B	KMD.39.60.01.B	KMD.39.75.01.B	KMD.39.90.01.B
2	395	KMD.39.15.02.B	KMD.39.30.02.B	KMD.39.45.02.B	KMD.39.60.02.B	KMD.39.75.02.B	KMD.39.90.02.B
3	590	KMD.39.15.03.B	KMD.39.30.03.B	KMD.39.45.03.B	KMD.39.60.03.B	KMD.39.75.03.B	KMD.39.90.03.B



NOW AVAILABLE IN
"NOLU-S"
MATERIAL !

[For further information see page 198](#)



For plastic magnetic chains, type:
882 M

- More tracks and different angles available on request.



[For magnetic chains type see pages 43-58](#)



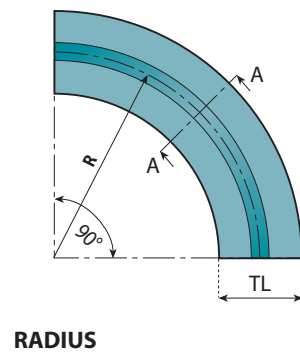
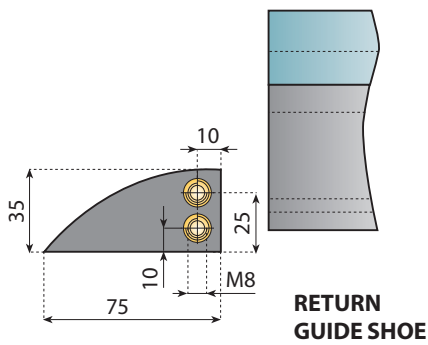
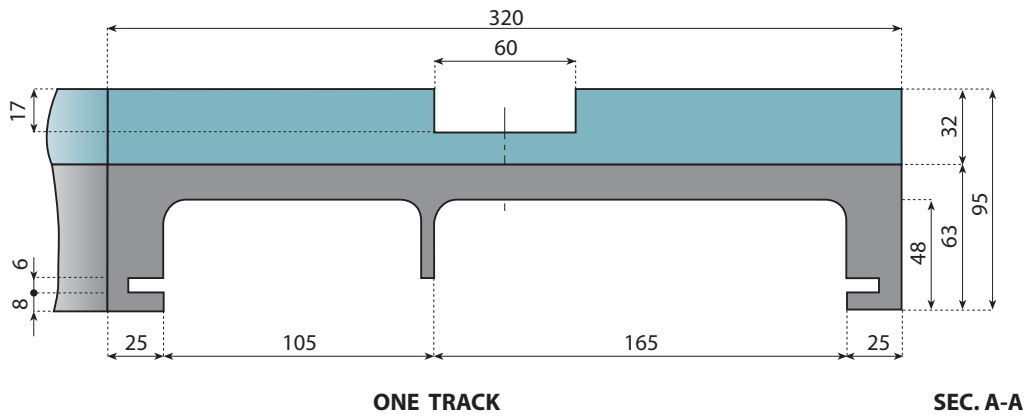
[Pages 196-197](#)

K93

Tracks	R	Total width TL mm	15°	30°	45°	60°	75°	90°
1	860	270	KMD.48.15.01.A	KMD.48.30.01.A	KMD.48.45.01.A	KMD.48.60.01.A	KMD.48.75.01.A	KMD.48.90.01.A

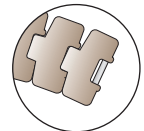
K94

Tracks	R	Total width TL mm	15°	30°	45°	60°	75°	90°
1	1000	270	KMD.49.15.01.A	KMD.49.30.01.A	KMD.49.45.01.A	KMD.49.60.01.A	KMD.49.75.01.A	KMD.49.90.01.A



NOW AVAILABLE IN
"NOLU-S"
MATERIAL !

[For further information see page 198](#)



For plastic magnetic chains, type:
882 M

- More tracks and different angles available on request.

[For magnetic chains type see pages 43-58](#)

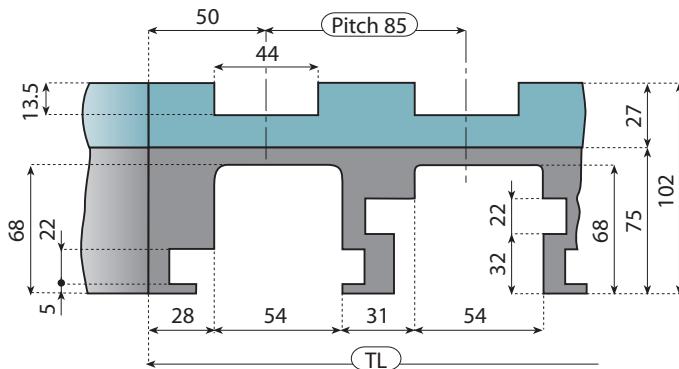
[Pages 196⇒197](#)

K97

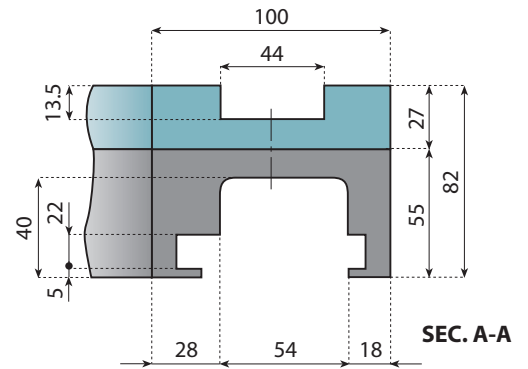
Tracks	R	Total width TL mm	15°	30°	45°	60°	75°	90°
1	860	320	KMD.52.15.01.A	KMD.52.30.01.A	KMD.52.45.01.A	KMD.52.60.01.A	KMD.52.75.01.A	KMD.52.90.01.A

K98

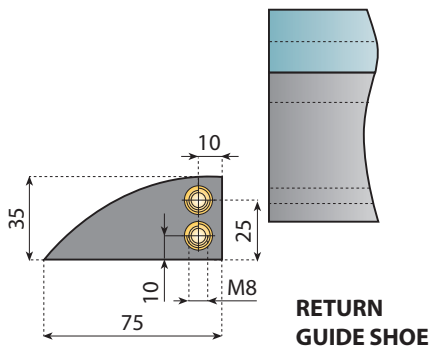
Tracks	R	Total width TL mm	15°	30°	45°	60°	75°	90°
1	1000	320	KMD.53.15.01.A	KMD.53.30.01.A	KMD.53.45.01.A	KMD.53.60.01.A	KMD.53.75.01.A	KMD.53.90.01.A



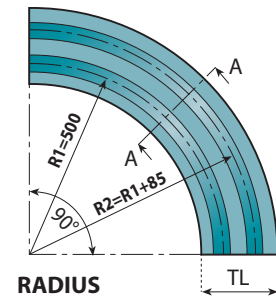
MULTI TRACKS



ONE TRACK



RETURN GUIDE SHOE

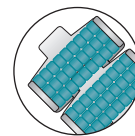


RADIUS

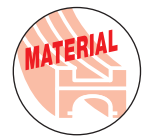
NOW AVAILABLE IN
"NOLU-S"
MATERIAL !

For further information see page 198

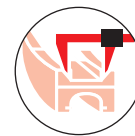
- More tracks and different angles available on request.



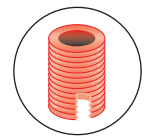
For plastic magnetic chains, type: 879 M



Magnetic corner tracks special materials
 On request magnetic corner tracks for high speed and extremely abrasive applications can be supplied.



Magnetic corner tracks special dimensions
 On request magnetic corner tracks with special dimensions can be produced.

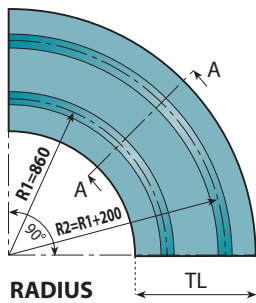
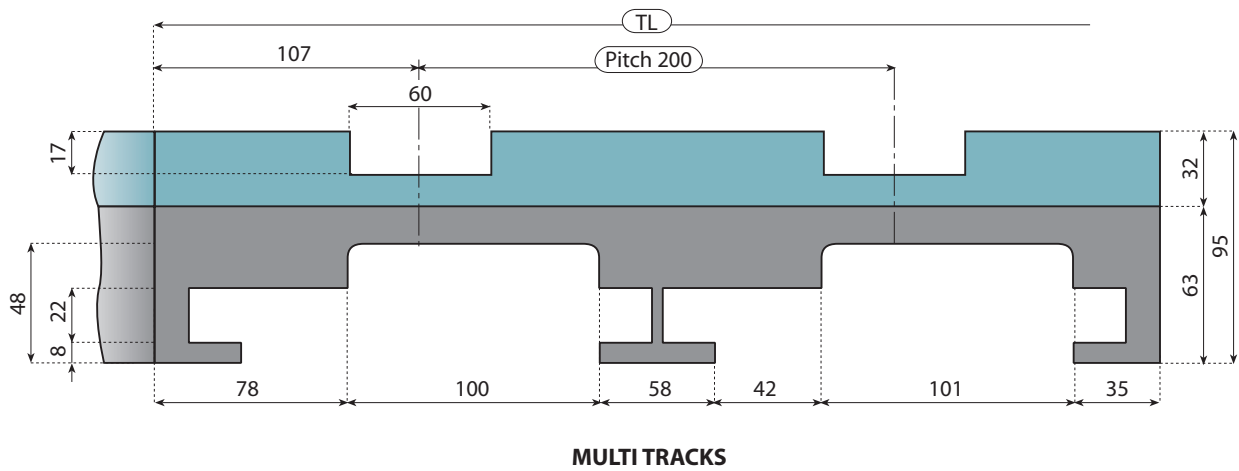
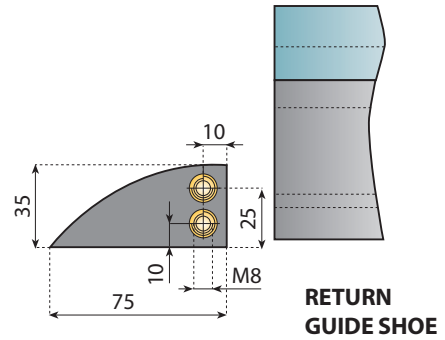
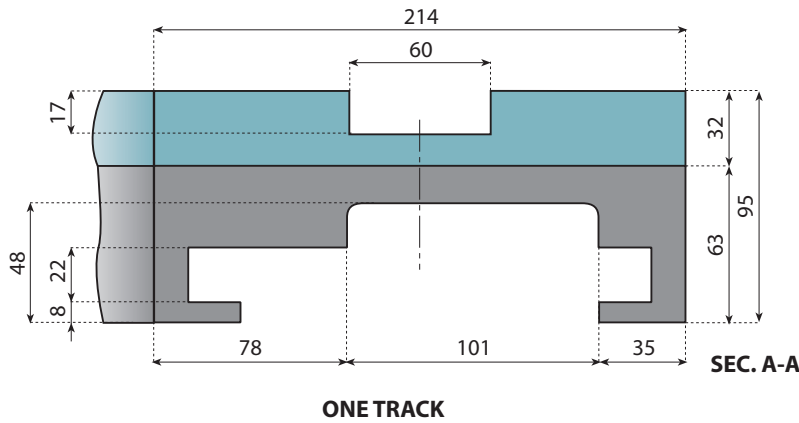


Inserts
 The magnetic corner tracks can be supplied with M8 or M10 brass inserts to your detailed drawing.

For magnetic chains type see pages 49

For magnetic corner tracks type see pages 196-197

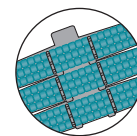
Tracks	Total width TL mm	15°	30°	45°	60°	75°	90°
1	100	KMD.68.15.01.A	KMD.68.30.01.A	KMD.68.45.01.A	KMD.68.60.01.A	KMD.68.75.01.A	KMD.68.90.01.A
2	185	KMD.68.15.02.A	KMD.68.30.02.A	KMD.68.45.02.A	KMD.68.60.02.A	KMD.68.75.02.A	KMD.68.90.02.A
3	270	KMD.68.15.03.A	KMD.68.30.03.A	KMD.68.45.03.A	KMD.68.60.03.A	KMD.68.75.03.A	KMD.68.90.03.A
4	355	KMD.68.15.04.A	KMD.68.30.04.A	KMD.68.45.04.A	KMD.68.60.04.A	KMD.68.75.04.A	KMD.68.90.04.A
5	440	KMD.68.15.05.A	KMD.68.30.05.A	KMD.68.45.05.A	KMD.68.60.05.A	KMD.68.75.05.A	KMD.68.90.05.A
6	525	KMD.68.15.06.A	KMD.68.30.06.A	KMD.68.45.06.A	KMD.68.60.06.A	KMD.68.75.06.A	KMD.68.90.06.A
7	610	KMD.68.15.07.A	KMD.68.30.07.A	KMD.68.45.07.A	KMD.68.60.07.A	KMD.68.75.07.A	KMD.68.90.07.A
8	695	KMD.68.15.08.A	KMD.68.30.08.A	KMD.68.45.08.A	KMD.68.60.08.A	KMD.68.75.08.A	KMD.68.90.08.A



NOW AVAILABLE IN
"NOLU-S"
MATERIAL !

For further information see page 198

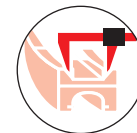
- More tracks and different angles available on request.



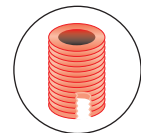
For plastic magnetic chains, type: 882 M



Magnetic corner tracks special materials
 On request magnetic corner tracks for high speed and extremely abrasive applications can be supplied.



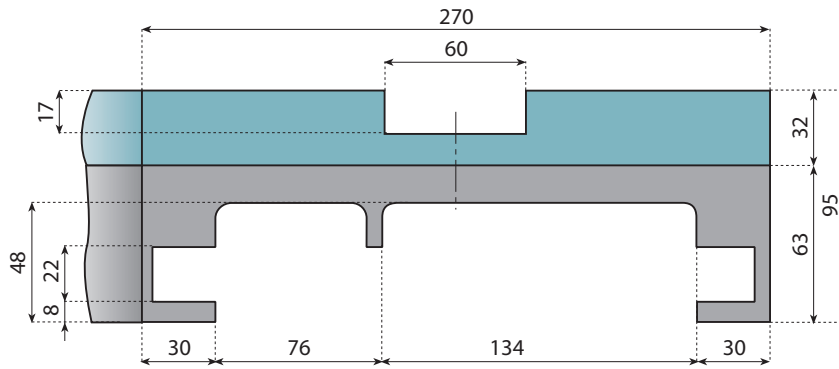
Magnetic corner tracks special dimensions
 On request magnetic corner tracks with special dimensions can be produced.



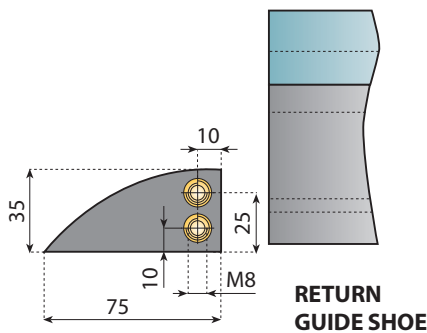
Inserts
 The magnetic corner tracks can be supplied with M8 or M10 brass inserts to your detailed drawing.

For magnetic chains type see pages 52 Pages 196→197

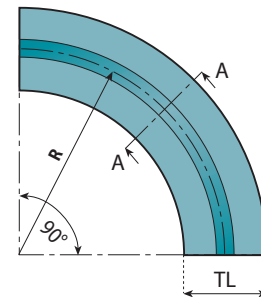
Tracks	Total width TL mm	15°	30°	45°	60°	75°	90°
1	214	KMD.71.15.01.AC	KMD.71.30.01.AC	KMD.71.45.01.AC	KMD.71.60.01.AC	KMD.71.75.01.AC	KMD.71.90.01.AC
2	414	KMD.71.15.02.AC	KMD.71.30.02.AC	KMD.71.45.02.AC	KMD.71.60.02.AC	KMD.71.75.02.AC	KMD.71.90.02.AC
3	614	KMD.71.15.03.AC	KMD.71.30.03.AC	KMD.71.45.03.AC	KMD.71.60.03.AC	KMD.71.75.03.AC	KMD.71.90.03.AC



ONE TRACK



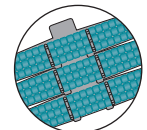
RETURN GUIDE SHOE



RADIUS

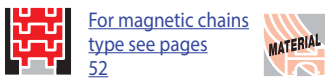
Now available in "NOLU-S" MATERIAL !

For further information see page 198



For plastic magnetic chains, type: 882M

- More tracks and different angles available on request.



For magnetic chains type see pages 52



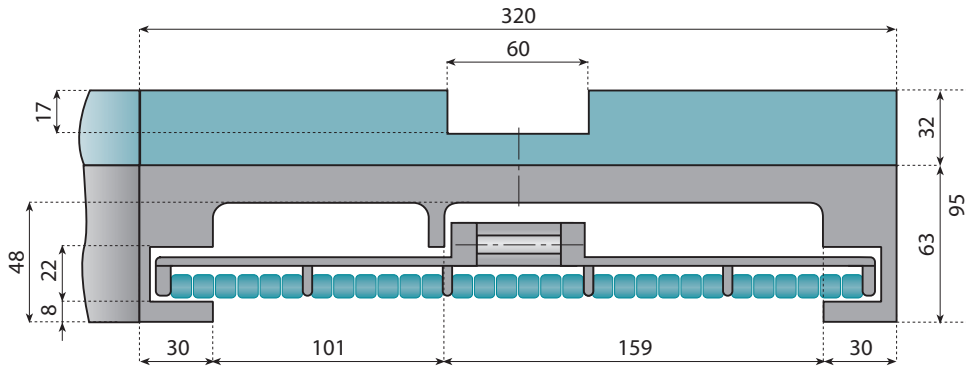
Pages 196-197

LBP 93 C

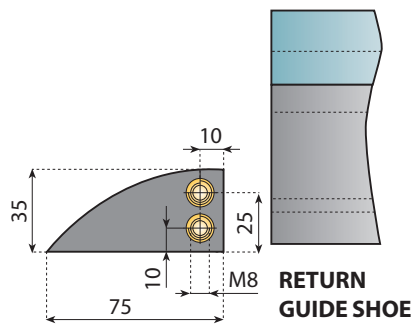
Tracks	R	Total width TL mm	15°	30°	45°	60°	75°	90°
1	860	270	KMD.78.15.01.AC	KMD.78.30.01.AC	KMD.78.45.01.AC	KMD.78.60.01.AC	KMD.78.75.01.AC	KMD.78.90.01.AC

LBP 94 C

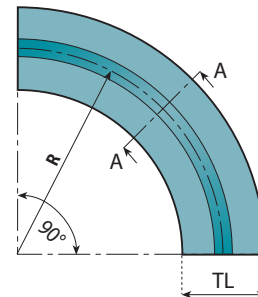
Tracks	R	Total width TL mm	15°	30°	45°	60°	75°	90°
1	1000	270	KMD.79.15.01.AC	KMD.79.30.01.AC	KMD.79.45.01.AC	KMD.79.60.01.AC	KMD.79.75.01.AC	KMD.79.90.01.AC



ONE TRACK



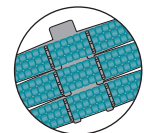
RETURN GUIDE SHOE



RADIUS

NOW AVAILABLE IN
"NOLU-S"
 MATERIAL !

For further information see page 198



For plastic magnetic chains, type: 882M

- More tracks and different angles available on request.

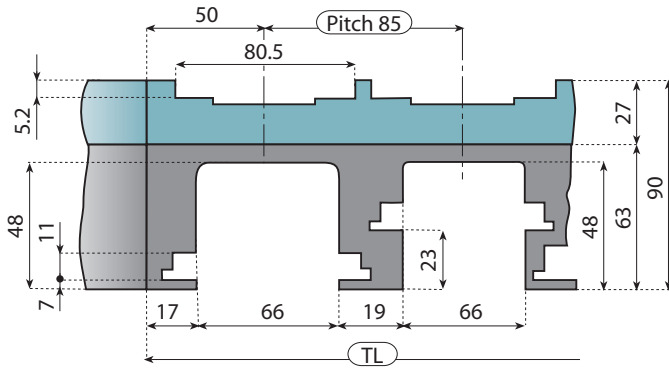
For magnetic chains type see pages 52
 Pages 196→197

LBP 97 C

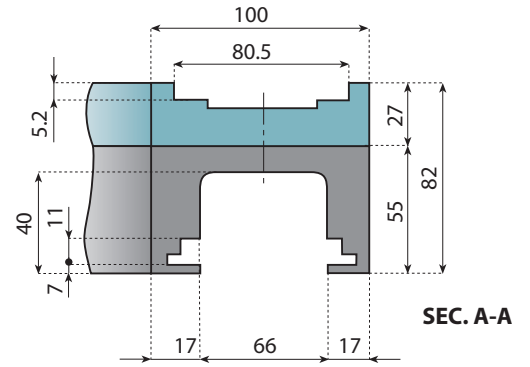
Tracks	R	Total width TL mm	15°	30°	45°	60°	75°	90°
1	860	320	KMD.82.15.01.AC	KMD.82.30.01.AC	KMD.82.45.01.AC	KMD.82.60.01.AC	KMD.82.75.01.AC	KMD.82.90.01.AC

LBP 98 C

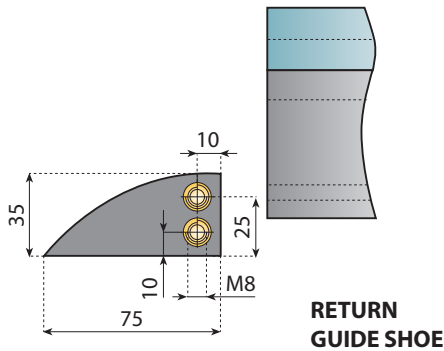
Tracks	R	Total width TL mm	15°	30°	45°	60°	75°	90°
1	1000	320	KMD.83.15.01.AC	KMD.83.30.01.AC	KMD.83.45.01.AC	KMD.83.60.01.AC	KMD.83.75.01.AC	KMD.83.90.01.AC



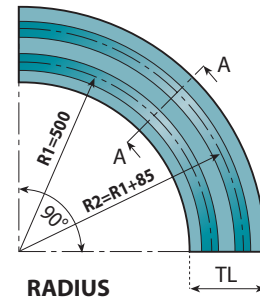
MULTI TRACKS



ONE TRACK



RETURN GUIDE SHOE

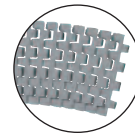


RADIUS

NOW AVAILABLE IN
"NOLU-S"
MATERIAL !

For further information see page 198

- More tracks and different angles available on request.



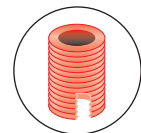
For sideflexing belts, type: 2120 M



Magnetic corner tracks special materials
 On request magnetic corner tracks for high speed and extremely abrasive applications can be supplied.



Magnetic corner tracks special dimensions
 On request magnetic corner tracks with special dimensions can be produced.



Inserts
 The magnetic corner tracks can be supplied with M8 or M10 brass inserts to your detailed drawing.

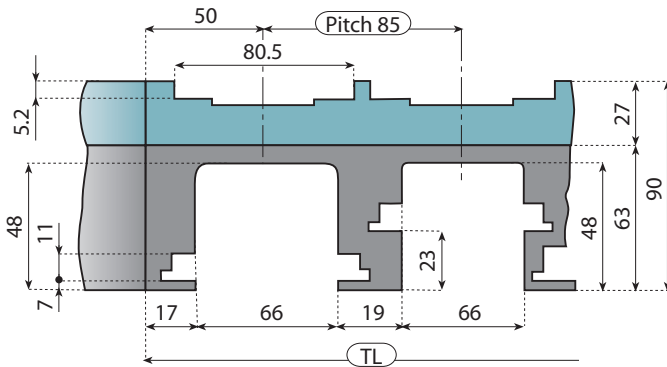


For magnetic chains type see pages 183

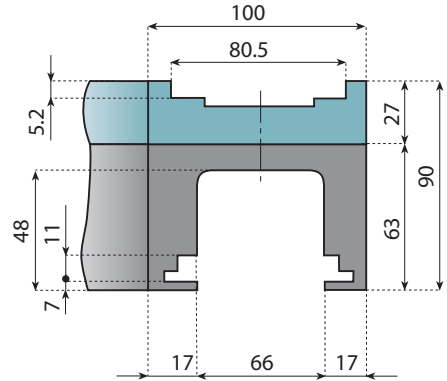


Pages 196→197

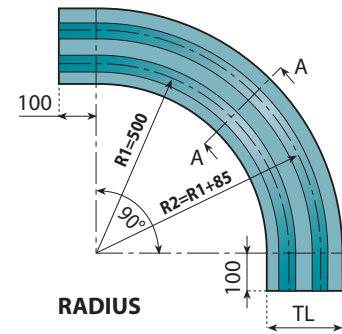
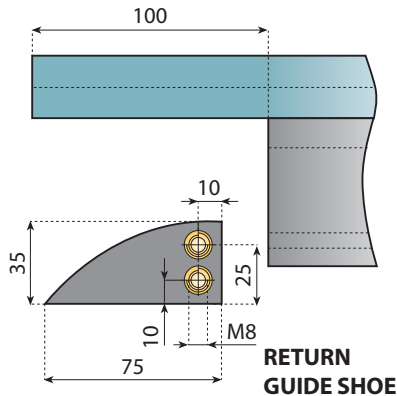
Tracks	Total width TL mm	15°	30°	45°	60°	75°	90°
1	100	KMD.24.15.01.A	KMD.24.30.01.A	KMD.24.45.01.A	KMD.24.60.01.A	KMD.24.75.01.A	KMD.24.90.01.A
2	185	KMD.24.15.02.A	KMD.24.30.02.A	KMD.24.45.02.A	KMD.24.60.02.A	KMD.24.75.02.A	KMD.24.90.02.A
3	270	KMD.24.15.03.A	KMD.24.30.03.A	KMD.24.45.03.A	KMD.24.60.03.A	KMD.24.75.03.A	KMD.24.90.03.A
4	355	KMD.24.15.04.A	KMD.24.30.04.A	KMD.24.45.04.A	KMD.24.60.04.A	KMD.24.75.04.A	KMD.24.90.04.A
5	440	KMD.24.15.05.A	KMD.24.30.05.A	KMD.24.45.05.A	KMD.24.60.05.A	KMD.24.75.05.A	KMD.24.90.05.A
6	525	KMD.24.15.06.A	KMD.24.30.06.A	KMD.24.45.06.A	KMD.24.60.06.A	KMD.24.75.06.A	KMD.24.90.06.A
7	610	KMD.24.15.07.A	KMD.24.30.07.A	KMD.24.45.07.A	KMD.24.60.07.A	KMD.24.75.07.A	KMD.24.90.07.A
8	695	KMD.24.15.08.A	KMD.24.30.08.A	KMD.24.45.08.A	KMD.24.60.08.A	KMD.24.75.08.A	KMD.24.90.08.A



MULTI TRACKS



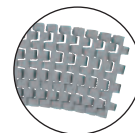
ONE TRACK



NOW AVAILABLE IN
"NOLU-S"
MATERIAL !

For further information see page 198

- More tracks and different angles available on request.



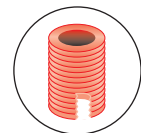
For sideflexing belts, type: 2120 M



Magnetic corner tracks special materials
 On request magnetic corner tracks for high speed and extremely abrasive applications can be supplied.



Magnetic corner tracks special dimensions
 On request magnetic corner tracks with special dimensions can be produced.

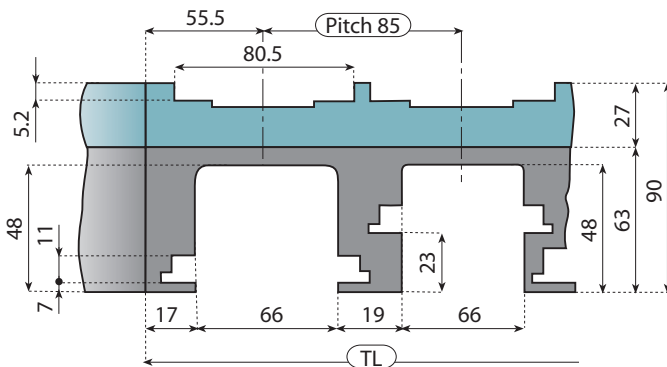


Inserts
 The magnetic corner tracks can be supplied with M8 or M10 brass inserts to your detailed drawing.

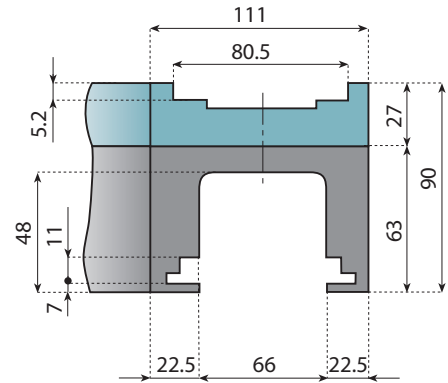
For magnetic chains type see pages 183

MATERIAL Pages 196⇒197

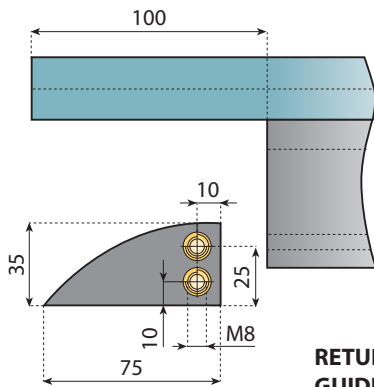
Tracks	Total width TL mm	15°	30°	45°	60°	75°	90°
1	100	KMD.25.15.01.B	KMD.25.30.01.B	KMD.25.45.01.B	KMD.25.60.01.B	KMD.25.75.01.B	KMD.25.90.01.B
2	185	KMD.25.15.02.B	KMD.25.30.02.B	KMD.25.45.02.B	KMD.25.60.02.B	KMD.25.75.02.B	KMD.25.90.02.B
3	270	KMD.25.15.03.B	KMD.25.30.03.B	KMD.25.45.03.B	KMD.25.60.03.B	KMD.25.75.03.B	KMD.25.90.03.B
4	355	KMD.25.15.04.B	KMD.25.30.04.B	KMD.25.45.04.B	KMD.25.60.04.B	KMD.25.75.04.B	KMD.25.90.04.B
5	440	KMD.25.15.05.B	KMD.25.30.05.B	KMD.25.45.05.B	KMD.25.60.05.B	KMD.25.75.05.B	KMD.25.90.05.B
6	525	KMD.25.15.06.B	KMD.25.30.06.B	KMD.25.45.06.B	KMD.25.60.06.B	KMD.25.75.06.B	KMD.25.90.06.B
7	610	KMD.25.15.07.B	KMD.25.30.07.B	KMD.25.45.07.B	KMD.25.60.07.B	KMD.25.75.07.B	KMD.25.90.07.B
8	695	KMD.25.15.08.B	KMD.25.30.08.B	KMD.25.45.08.B	KMD.25.60.08.B	KMD.25.75.08.B	KMD.25.90.08.B



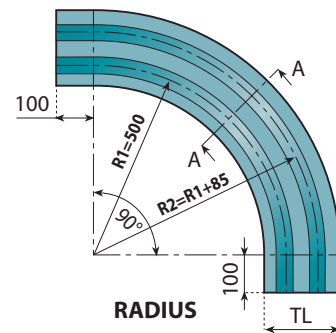
MULTI TRACKS



ONE TRACK



RETURN GUIDE SHOE

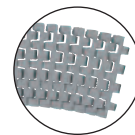


RADIUS

NOW AVAILABLE IN
"NOLU-S"
MATERIAL !

For further information see page 198

- More tracks and different angles available on request.



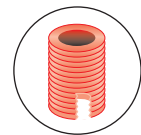
For sideflexing belts, type: 2120 M



Magnetic corner tracks special materials
 On request magnetic corner tracks for high speed and extremely abrasive applications can be supplied.



Magnetic corner tracks special dimensions
 On request magnetic corner tracks with special dimensions can be produced.

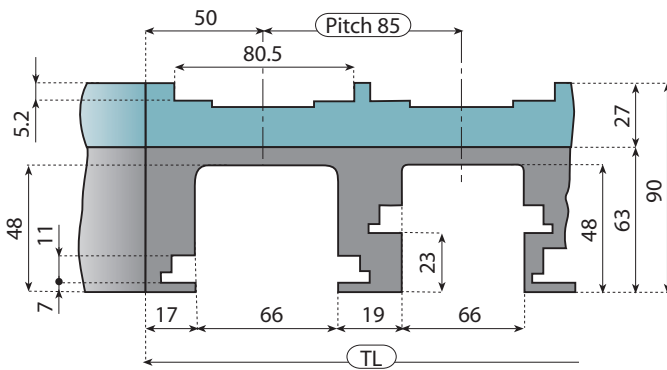


Inserts
 The magnetic corner tracks can be supplied with M8 or M10 brass inserts to your detailed drawing.

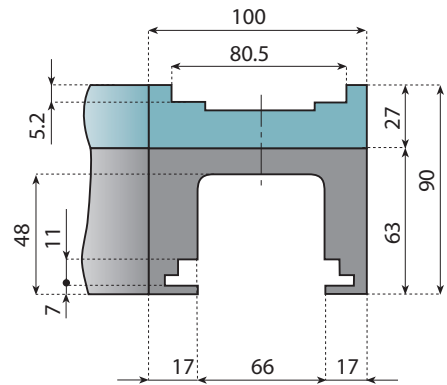
For magnetic chains type see pages 183

MATERIAL Pages 196⇒197

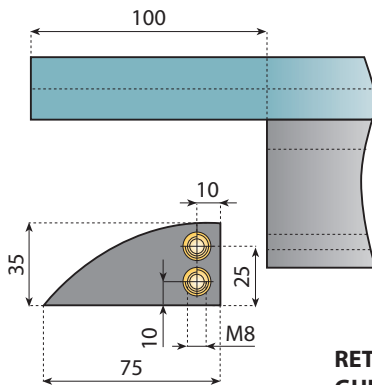
Tracks	Total width TL mm	15°	30°	45°	60°	75°	90°
1	111	KMD.26.15.01.B	KMD.26.30.01.B	KMD.26.45.01.B	KMD.26.60.01.B	KMD.26.75.01.B	KMD.26.90.01.B
2	196	KMD.26.15.02.B	KMD.26.30.02.B	KMD.26.45.02.B	KMD.26.60.02.B	KMD.26.75.02.B	KMD.26.90.02.B
3	281	KMD.26.15.03.B	KMD.26.30.03.B	KMD.26.45.03.B	KMD.26.60.03.B	KMD.26.75.03.B	KMD.26.90.03.B
4	366	KMD.26.15.04.B	KMD.26.30.04.B	KMD.26.45.04.B	KMD.26.60.04.B	KMD.26.75.04.B	KMD.26.90.04.B
5	451	KMD.26.15.05.B	KMD.26.30.05.B	KMD.26.45.05.B	KMD.26.60.05.B	KMD.26.75.05.B	KMD.26.90.05.B
6	536	KMD.26.15.06.B	KMD.26.30.06.B	KMD.26.45.06.B	KMD.26.60.06.B	KMD.26.75.06.B	KMD.26.90.06.B
7	621	KMD.26.15.07.B	KMD.26.30.07.B	KMD.26.45.07.B	KMD.26.60.07.B	KMD.26.75.07.B	KMD.26.90.07.B
8	706	KMD.26.15.08.B	KMD.26.30.08.B	KMD.26.45.08.B	KMD.26.60.08.B	KMD.26.75.08.B	KMD.26.90.08.B



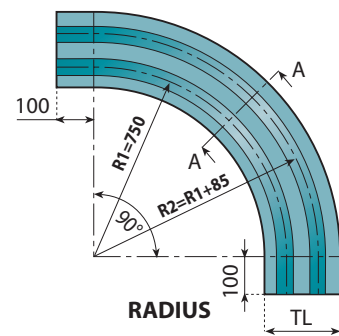
MULTI TRACKS



ONE TRACK



RETURN GUIDE SHOE

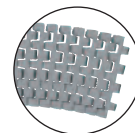


RADIUS

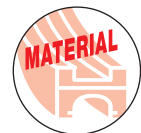
Now available in "NOLU-S" MATERIAL!

For further information see page 198

- More tracks and different angles available on request.



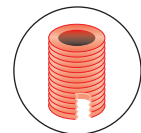
For sideflexing belts, type: 2120 M



Magnetic corner tracks special materials
On request magnetic corner tracks for high speed and extremely abrasive applications can be supplied.



Magnetic corner tracks special dimensions
On request magnetic corner tracks with special dimensions can be produced.

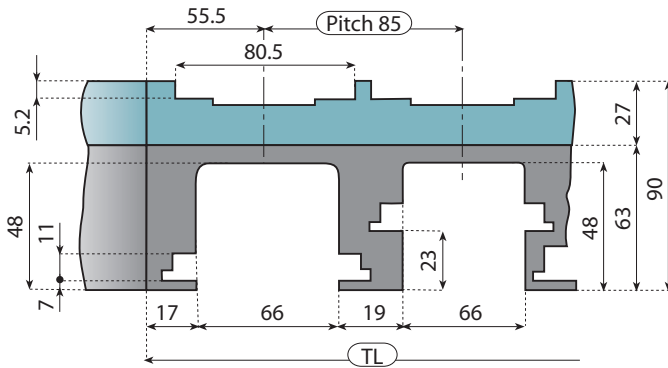


Inserts
The magnetic corner tracks can be supplied with M8 or M10 brass inserts to your detailed drawing.

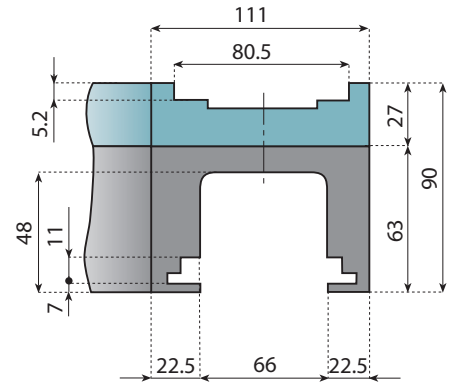
For magnetic chains type see pages 183

MATERIAL Pages 196⇒197

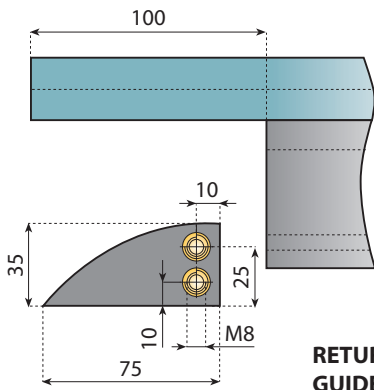
Tracks	Total width TL mm	15°	30°	45°	60°	75°	90°
1	100	KMD.27.15.01.B	KMD.27.30.01.B	KMD.27.45.01.B	KMD.27.60.01.B	KMD.27.75.01.B	KMD.27.90.01.B
2	185	KMD.27.15.02.B	KMD.27.30.02.B	KMD.27.45.02.B	KMD.27.60.02.B	KMD.27.75.02.B	KMD.27.90.02.B
3	270	KMD.27.15.03.B	KMD.27.30.03.B	KMD.27.45.03.B	KMD.27.60.03.B	KMD.27.75.03.B	KMD.27.90.03.B
4	355	KMD.27.15.04.B	KMD.27.30.04.B	KMD.27.45.04.B	KMD.27.60.04.B	KMD.27.75.04.B	KMD.27.90.04.B
5	440	KMD.27.15.05.B	KMD.27.30.05.B	KMD.27.45.05.B	KMD.27.60.05.B	KMD.27.75.05.B	KMD.27.90.05.B
6	525	KMD.27.15.06.B	KMD.27.30.06.B	KMD.27.45.06.B	KMD.27.60.06.B	KMD.27.75.06.B	KMD.27.90.06.B
7	610	KMD.27.15.07.B	KMD.27.30.07.B	KMD.27.45.07.B	KMD.27.60.07.B	KMD.27.75.07.B	KMD.27.90.07.B
8	695	KMD.27.15.08.B	KMD.27.30.08.B	KMD.27.45.08.B	KMD.27.60.08.B	KMD.27.75.08.B	KMD.27.90.08.B



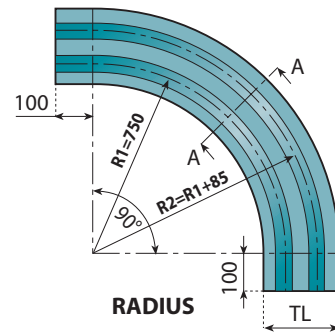
MULTI TRACKS



ONE TRACK



RETURN GUIDE SHOE

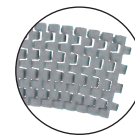


RADIUS

Now available in
"NOLU-S"
 MATERIAL !

For further information see page 198

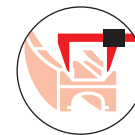
- More tracks and different angles available on request.



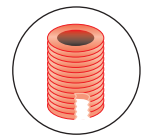
For sideflexing belts, type: 2120 M



Magnetic corner tracks special materials
 On request magnetic corner tracks for high speed and extremely abrasive applications can be supplied.



Magnetic corner tracks special dimensions
 On request magnetic corner tracks with special dimensions can be produced.



Inserts
 The magnetic corner tracks can be supplied with M8 or M10 brass inserts to your detailed drawing.

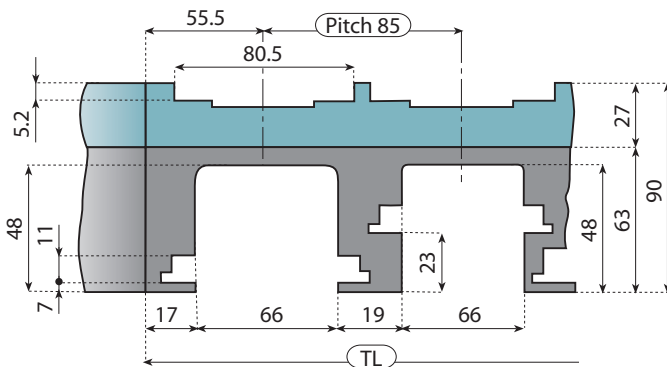


For magnetic chains type see pages 183

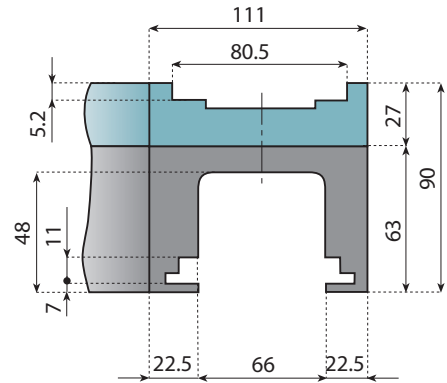


Pages 196-197

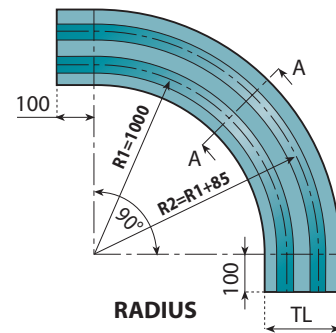
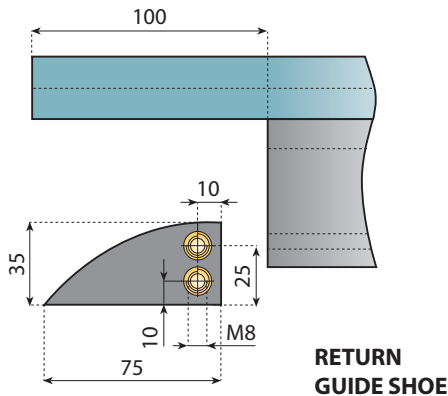
Tracks	Total width TL mm	15°	30°	45°	60°	75°	90°
1	111	KMD.28.15.01.B	KMD.28.30.01.B	KMD.28.45.01.B	KMD.28.60.01.B	KMD.28.75.01.B	KMD.28.90.01.B
2	196	KMD.28.15.02.B	KMD.28.30.02.B	KMD.28.45.02.B	KMD.28.60.02.B	KMD.28.75.02.B	KMD.28.90.02.B
3	281	KMD.28.15.03.B	KMD.28.30.03.B	KMD.28.45.03.B	KMD.28.60.03.B	KMD.28.75.03.B	KMD.28.90.03.B
4	366	KMD.28.15.04.B	KMD.28.30.04.B	KMD.28.45.04.B	KMD.28.60.04.B	KMD.28.75.04.B	KMD.28.90.04.B
5	451	KMD.28.15.05.B	KMD.28.30.05.B	KMD.28.45.05.B	KMD.28.60.05.B	KMD.28.75.05.B	KMD.28.90.05.B
6	536	KMD.28.15.06.B	KMD.28.30.06.B	KMD.28.45.06.B	KMD.28.60.06.B	KMD.28.75.06.B	KMD.28.90.06.B
7	621	KMD.28.15.07.B	KMD.28.30.07.B	KMD.28.45.07.B	KMD.28.60.07.B	KMD.28.75.07.B	KMD.28.90.07.B
8	706	KMD.28.15.08.B	KMD.28.30.08.B	KMD.28.45.08.B	KMD.28.60.08.B	KMD.28.75.08.B	KMD.28.90.08.B



MULTI TRACKS



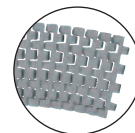
ONE TRACK



NOW AVAILABLE IN
"NOLU-S"
MATERIAL !

For further information see page 198

- More tracks and different angles available on request.



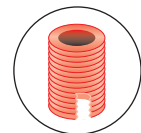
For sideflexing belts, type: 2120 M



Magnetic corner tracks special materials
 On request magnetic corner tracks for high speed and extremely abrasive applications can be supplied.



Magnetic corner tracks special dimensions
 On request magnetic corner tracks with special dimensions can be produced.

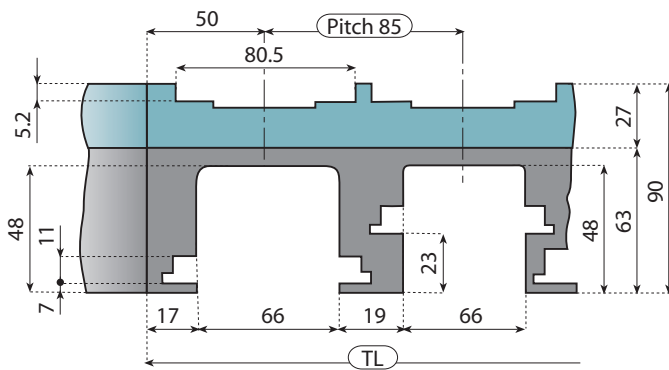


Inserts
 The magnetic corner tracks can be supplied with M8 or M10 brass inserts to your detailed drawing.

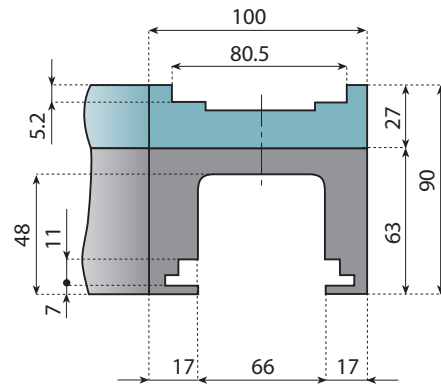
For magnetic chains type see pages 183

MATERIAL Pages 196⇒197

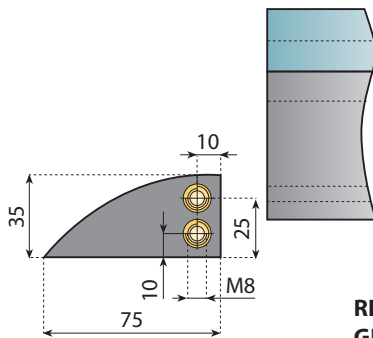
Tracks	Total width TL mm	15°	30°	45°	60°	75°	90°
1	111	KMD.29.15.01.B	KMD.29.30.01.B	KMD.29.45.01.B	KMD.29.60.01.B	KMD.29.75.01.B	KMD.29.90.01.B
2	196	KMD.29.15.02.B	KMD.29.30.02.B	KMD.29.45.02.B	KMD.29.60.02.B	KMD.29.75.02.B	KMD.29.90.02.B
3	281	KMD.29.15.03.B	KMD.29.30.03.B	KMD.29.45.03.B	KMD.29.60.03.B	KMD.29.75.03.B	KMD.29.90.03.B
4	366	KMD.29.15.04.B	KMD.29.30.04.B	KMD.29.45.04.B	KMD.29.60.04.B	KMD.29.75.04.B	KMD.29.90.04.B
5	451	KMD.29.15.05.B	KMD.29.30.05.B	KMD.29.45.05.B	KMD.29.60.05.B	KMD.29.75.05.B	KMD.29.90.05.B
6	536	KMD.29.15.06.B	KMD.29.30.06.B	KMD.29.45.06.B	KMD.29.60.06.B	KMD.29.75.06.B	KMD.29.90.06.B
7	621	KMD.29.15.07.B	KMD.29.30.07.B	KMD.29.45.07.B	KMD.29.60.07.B	KMD.29.75.07.B	KMD.29.90.07.B
8	706	KMD.29.15.08.B	KMD.29.30.08.B	KMD.29.45.08.B	KMD.29.60.08.B	KMD.29.75.08.B	KMD.29.90.08.B



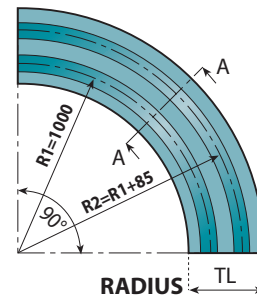
MULTI TRACKS



ONE TRACK



RETURN GUIDE SHOE

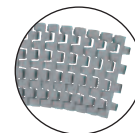


RADIUS

Now available in
"NOLU-S"
 MATERIAL !

For further information see page 198

- More tracks and different angles available on request.



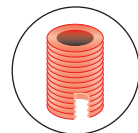
For sideflexing belts, type: 2120 M



Magnetic corner tracks special materials
 On request magnetic corner tracks for high speed and extremely abrasive applications can be supplied.



Magnetic corner tracks special dimensions
 On request magnetic corner tracks with special dimensions can be produced.

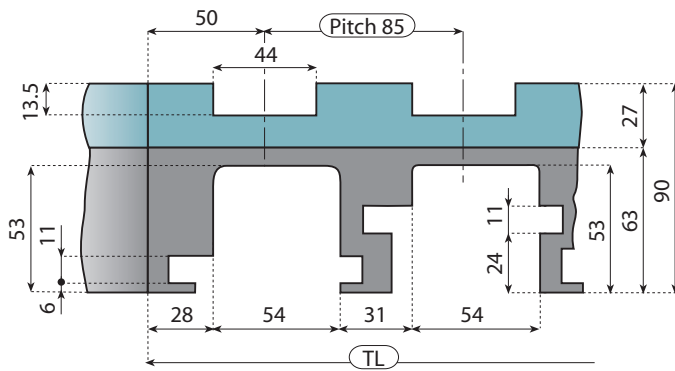


Inserts
 The magnetic corner tracks can be supplied with M8 or M10 brass inserts to your detailed drawing.

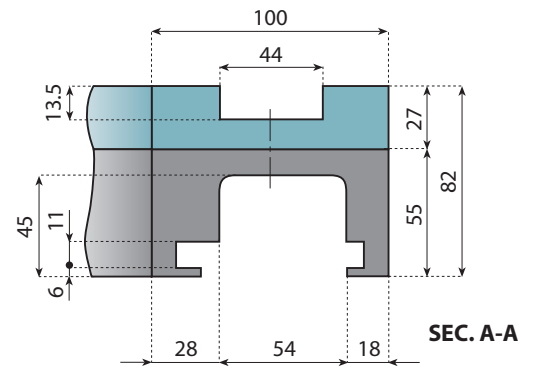
For magnetic chains type see pages 183

MATERIAL Pages 196-197

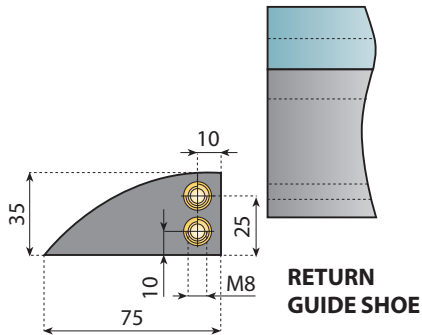
Tracks	Total width TL mm	15°	30°	45°	60°	75°	90°
1	100	KMD.30.15.01.A	KMD.30.30.01.A	KMD.30.45.01.A	KMD.30.60.01.A	KMD.30.75.01.A	KMD.30.90.01.A
2	185	KMD.30.15.02.A	KMD.30.30.02.A	KMD.30.45.02.A	KMD.30.60.02.A	KMD.30.75.02.A	KMD.30.90.02.A
3	270	KMD.30.15.03.A	KMD.30.30.03.A	KMD.30.45.03.A	KMD.30.60.03.A	KMD.30.75.03.A	KMD.30.90.03.A
4	355	KMD.30.15.04.A	KMD.30.30.04.A	KMD.30.45.04.A	KMD.30.60.04.A	KMD.30.75.04.A	KMD.30.90.04.A
5	440	KMD.30.15.05.A	KMD.30.30.05.A	KMD.30.45.05.A	KMD.30.60.05.A	KMD.30.75.05.A	KMD.30.90.05.A
6	525	KMD.30.15.06.A	KMD.30.30.06.A	KMD.30.45.06.A	KMD.30.60.06.A	KMD.30.75.06.A	KMD.30.90.06.A
7	610	KMD.30.15.07.A	KMD.30.30.07.A	KMD.30.45.07.A	KMD.30.60.07.A	KMD.30.75.07.A	KMD.30.90.07.A
8	695	KMD.30.15.08.A	KMD.30.30.08.A	KMD.30.45.08.A	KMD.30.60.08.A	KMD.30.75.08.A	KMD.30.90.08.A



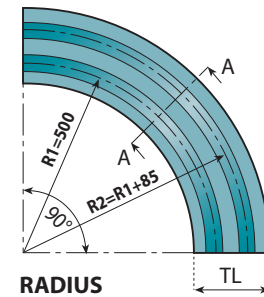
MULTI TRACKS



ONE TRACK



RETURN GUIDE SHOE

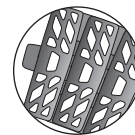


RADIUS

NOW AVAILABLE IN
"NOLU-S"
MATERIAL !

For further information see page 198

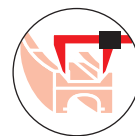
- More tracks and different angles available on request.



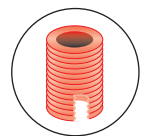
For sideflexing chainbelts, type: 2250M - 2260M



Magnetic corner tracks special materials
 On request magnetic corner tracks for high speed and extremely abrasive applications can be supplied.



Magnetic corner tracks special dimensions
 On request magnetic corner tracks with special dimensions can be produced.

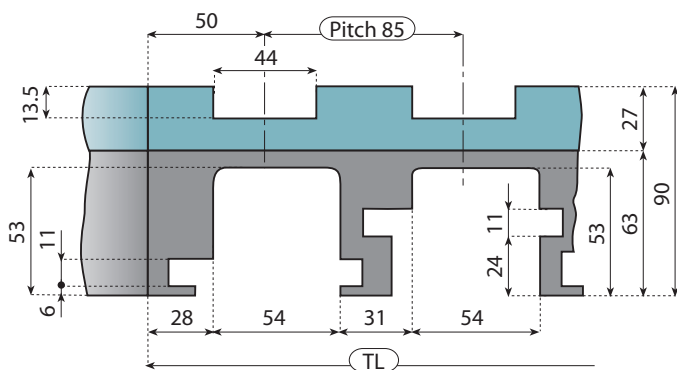


Inserts
 The magnetic corner tracks can be supplied with M8 or M10 brass inserts to your detailed drawing.

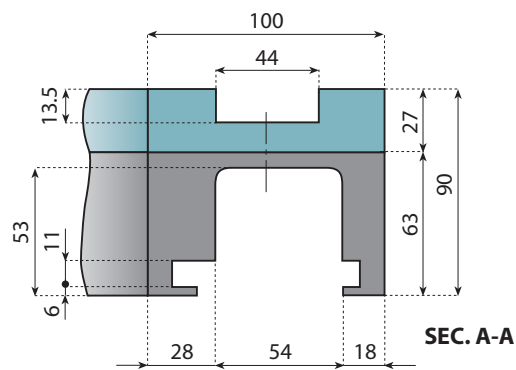
For magnetic chains type see pages 180-181

MATERIAL Pages 196-197

Tracks	Total width TL mm	15°	30°	45°	60°	75°	90°
1	100	KMD.90.15.01.A	KMD.90.30.01.A	KMD.90.45.01.A	KMD.90.60.01.A	KMD.90.75.01.A	KMD.90.90.01.A
2	185	KMD.90.15.02.A	KMD.90.30.02.A	KMD.90.45.02.A	KMD.90.60.02.A	KMD.90.75.02.A	KMD.90.90.02.A
3	270	KMD.90.15.03.A	KMD.90.30.03.A	KMD.90.45.03.A	KMD.90.60.03.A	KMD.90.75.03.A	KMD.90.90.03.A
4	355	KMD.90.15.04.A	KMD.90.30.04.A	KMD.90.45.04.A	KMD.90.60.04.A	KMD.90.75.04.A	KMD.90.90.04.A
5	440	KMD.90.15.05.A	KMD.90.30.05.A	KMD.90.45.05.A	KMD.90.60.05.A	KMD.90.75.05.A	KMD.90.90.05.A
6	525	KMD.90.15.06.A	KMD.90.30.06.A	KMD.90.45.06.A	KMD.90.60.06.A	KMD.90.75.06.A	KMD.90.90.06.A
7	610	KMD.90.15.07.A	KMD.90.30.07.A	KMD.90.45.07.A	KMD.90.60.07.A	KMD.90.75.07.A	KMD.90.90.07.A
8	695	KMD.90.15.08.A	KMD.90.30.08.A	KMD.90.45.08.A	KMD.90.60.08.A	KMD.90.75.08.A	KMD.90.90.08.A

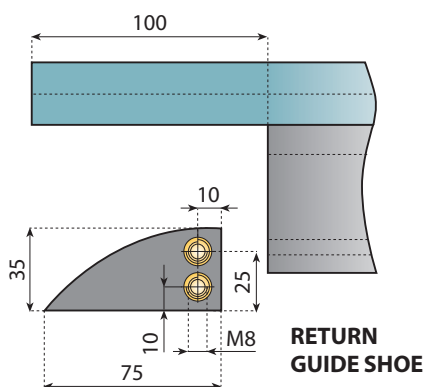


MULTI TRACKS

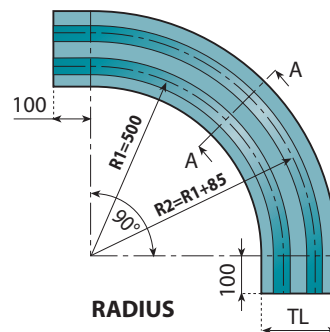


ONE TRACK

SEC. A-A



RETURN GUIDE SHOE

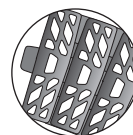


RADIUS

Now available in
"NOLU-S"
MATERIAL!

For further information see page 198

- More tracks and different angles available on request.



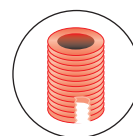
For sideflexing chainbelts, type: 2250M - 2260M



Magnetic corner tracks special materials
On request magnetic corner tracks for high speed and extremely abrasive applications can be supplied.



Magnetic corner tracks special dimensions
On request magnetic corner tracks with special dimensions can be produced.



Inserts
The magnetic corner tracks can be supplied with M8 or M10 brass inserts to your detailed drawing.

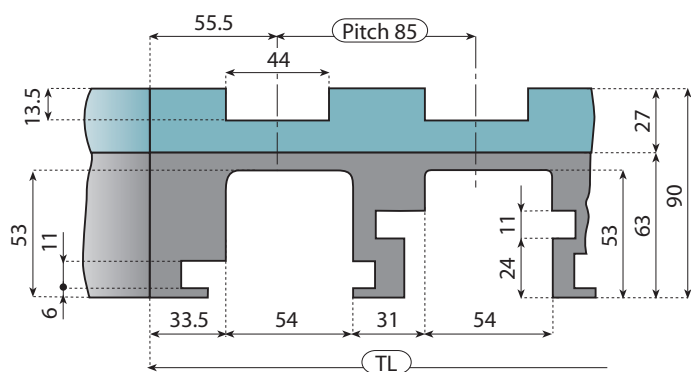


For magnetic chains type see pages 180-181

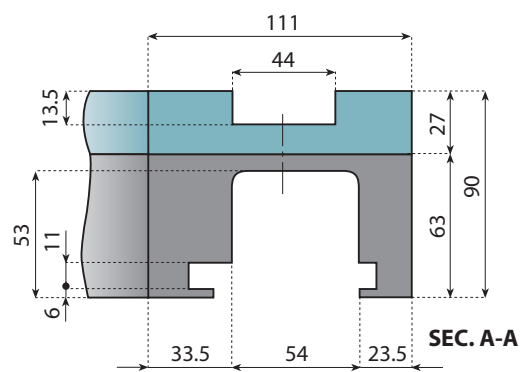


Pages 196-197

Tracks	Total width TL mm	15°	30°	45°	60°	75°	90°
1	100	KMD.91.15.01.B	KMD.91.30.01.B	KMD.91.45.01.B	KMD.91.60.01.B	KMD.91.75.01.B	KMD.91.90.01.B
2	185	KMD.91.15.02.B	KMD.91.30.02.B	KMD.91.45.02.B	KMD.91.60.02.B	KMD.91.75.02.B	KMD.91.90.02.B
3	270	KMD.91.15.03.B	KMD.91.30.03.B	KMD.91.45.03.B	KMD.91.60.03.B	KMD.91.75.03.B	KMD.91.90.03.B
4	355	KMD.91.15.04.B	KMD.91.30.04.B	KMD.91.45.04.B	KMD.91.60.04.B	KMD.91.75.04.B	KMD.91.90.04.B
5	440	KMD.91.15.05.B	KMD.91.30.05.B	KMD.91.45.05.B	KMD.91.60.05.B	KMD.91.75.05.B	KMD.91.90.05.B
6	525	KMD.91.15.06.B	KMD.91.30.06.B	KMD.91.45.06.B	KMD.91.60.06.B	KMD.91.75.06.B	KMD.91.90.06.B
7	610	KMD.91.15.07.B	KMD.91.30.07.B	KMD.91.45.07.B	KMD.91.60.07.B	KMD.91.75.07.B	KMD.91.90.07.B
8	695	KMD.91.15.08.B	KMD.91.30.08.B	KMD.91.45.08.B	KMD.91.60.08.B	KMD.91.75.08.B	KMD.91.90.08.B

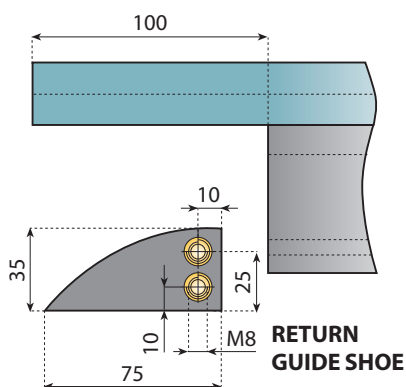


MULTI TRACKS

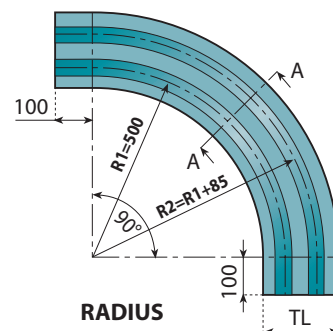


ONE TRACK

SEC. A-A



RETURN GUIDE SHOE

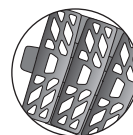


RADIUS

Now available in
"NOLU-S"
MATERIAL!

For further information see page 198

- More tracks and different angles available on request.



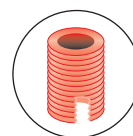
For sideflexing chainbelts, type: 2250M - 2260M



Magnetic corner tracks special materials
On request magnetic corner tracks for high speed and extremely abrasive applications can be supplied.



Magnetic corner tracks special dimensions
On request magnetic corner tracks with special dimensions can be produced.

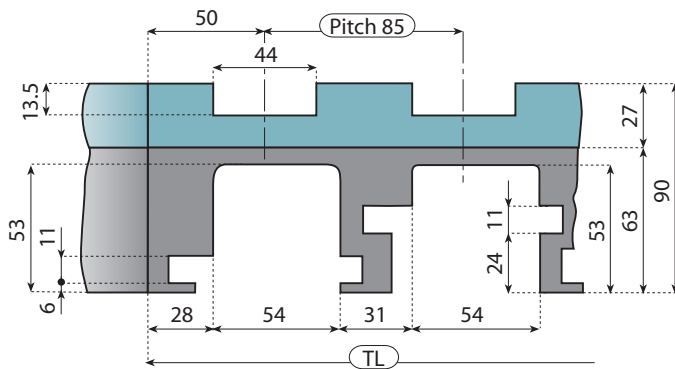


Inserts
The magnetic corner tracks can be supplied with M8 or M10 brass inserts to your detailed drawing.

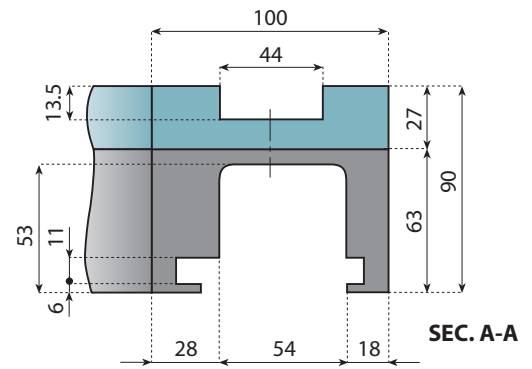
For magnetic chains type see pages 180-181

MATERIAL Pages 196-197

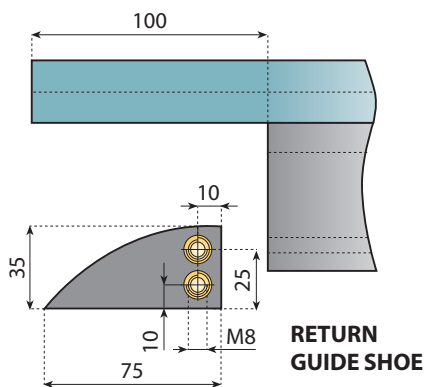
Tracks	Total width TL mm	15°	30°	45°	60°	75°	90°
1	111	KMD.92.15.01.B	KMD.92.30.01.B	KMD.92.45.01.B	KMD.92.60.01.B	KMD.92.75.01.B	KMD.92.90.01.B
2	196	KMD.92.15.02.B	KMD.92.30.02.B	KMD.92.45.02.B	KMD.92.60.02.B	KMD.92.75.02.B	KMD.92.90.02.B
3	281	KMD.92.15.03.B	KMD.92.30.03.B	KMD.92.45.03.B	KMD.92.60.03.B	KMD.92.75.03.B	KMD.92.90.03.B
4	366	KMD.92.15.04.B	KMD.92.30.04.B	KMD.92.45.04.B	KMD.92.60.04.B	KMD.92.75.04.B	KMD.92.90.04.B
5	451	KMD.92.15.05.B	KMD.92.30.05.B	KMD.92.45.05.B	KMD.92.60.05.B	KMD.92.75.05.B	KMD.92.90.05.B
6	536	KMD.92.15.06.B	KMD.92.30.06.B	KMD.92.45.06.B	KMD.92.60.06.B	KMD.92.75.06.B	KMD.92.90.06.B
7	621	KMD.92.15.07.B	KMD.92.30.07.B	KMD.92.45.07.B	KMD.92.60.07.B	KMD.92.75.07.B	KMD.92.90.07.B
8	706	KMD.92.15.08.B	KMD.92.30.08.B	KMD.92.45.08.B	KMD.92.60.08.B	KMD.92.75.08.B	KMD.92.90.08.B



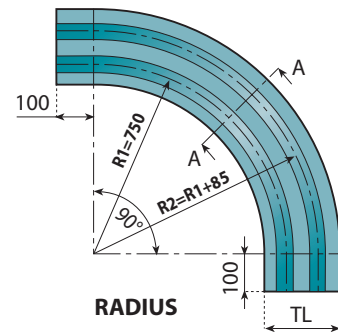
MULTI TRACKS



ONE TRACK



RETURN GUIDE SHOE

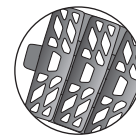


RADIUS

Now available in
"NOLU-S"
 MATERIAL !

For further information see page 198

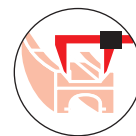
- More tracks and different angles available on request.



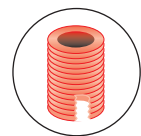
For sideflexing chainbelts, type: 2250M - 2260M



Magnetic corner tracks special materials
 On request magnetic corner tracks for high speed and extremely abrasive applications can be supplied.



Magnetic corner tracks special dimensions
 On request magnetic corner tracks with special dimensions can be produced.



Inserts
 The magnetic corner tracks can be supplied with M8 or M10 brass inserts to your detailed drawing.

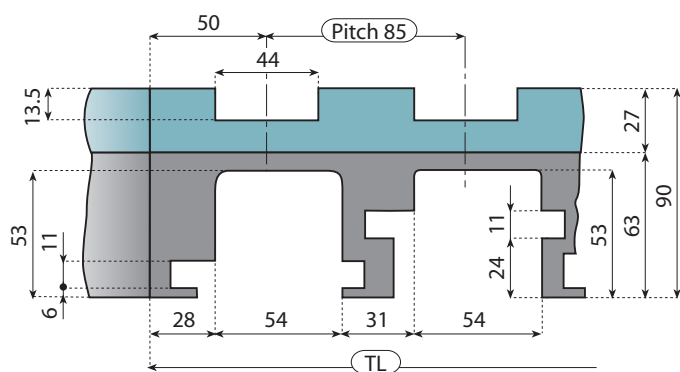


For magnetic chains type see pages 180-181

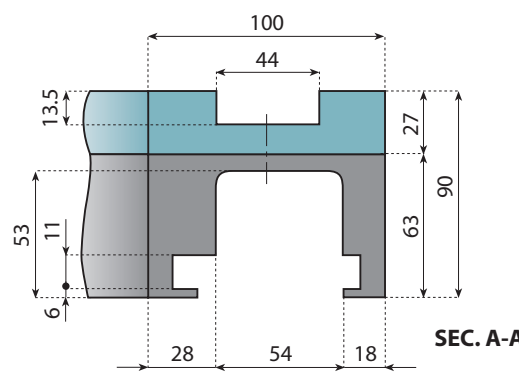


Pages 196-197

Tracks	Total width TL mm	15°	30°	45°	60°	75°	90°
1	100	KMD.93.15.01.B	KMD.93.30.01.B	KMD.93.45.01.B	KMD.93.60.01.B	KMD.93.75.01.B	KMD.93.90.01.B
2	185	KMD.93.15.02.B	KMD.93.30.02.B	KMD.93.45.02.B	KMD.93.60.02.B	KMD.93.75.02.B	KMD.93.90.02.B
3	270	KMD.93.15.03.B	KMD.93.30.03.B	KMD.93.45.03.B	KMD.93.60.03.B	KMD.93.75.03.B	KMD.93.90.03.B
4	355	KMD.93.15.04.B	KMD.93.30.04.B	KMD.93.45.04.B	KMD.93.60.04.B	KMD.93.75.04.B	KMD.93.90.04.B
5	440	KMD.93.15.05.B	KMD.93.30.05.B	KMD.93.45.05.B	KMD.93.60.05.B	KMD.93.75.05.B	KMD.93.90.05.B
6	525	KMD.93.15.06.B	KMD.93.30.06.B	KMD.93.45.06.B	KMD.93.60.06.B	KMD.93.75.06.B	KMD.93.90.06.B
7	610	KMD.93.15.07.B	KMD.93.30.07.B	KMD.93.45.07.B	KMD.93.60.07.B	KMD.93.75.07.B	KMD.93.90.07.B
8	695	KMD.93.15.08.B	KMD.93.30.08.B	KMD.93.45.08.B	KMD.93.60.08.B	KMD.93.75.08.B	KMD.93.90.08.B

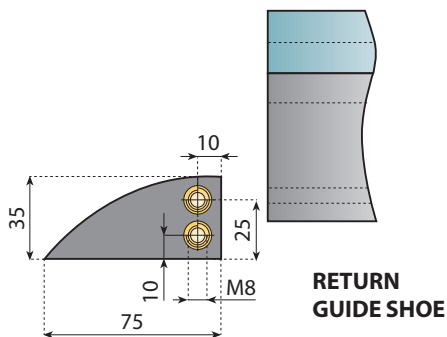


MULTI TRACKS

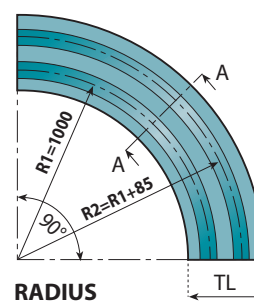


ONE TRACK

SEC. A-A



RETURN GUIDE SHOE

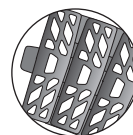


RADIUS

Now available in "NOLU-S" MATERIAL!

For further information see page 198

- More tracks and different angles available on request.



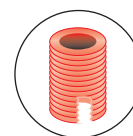
For sideflexing chainbelts, type: 2250M - 2260M



Magnetic corner tracks special materials
On request magnetic corner tracks for high speed and extremely abrasive applications can be supplied.



Magnetic corner tracks special dimensions
On request magnetic corner tracks with special dimensions can be produced.

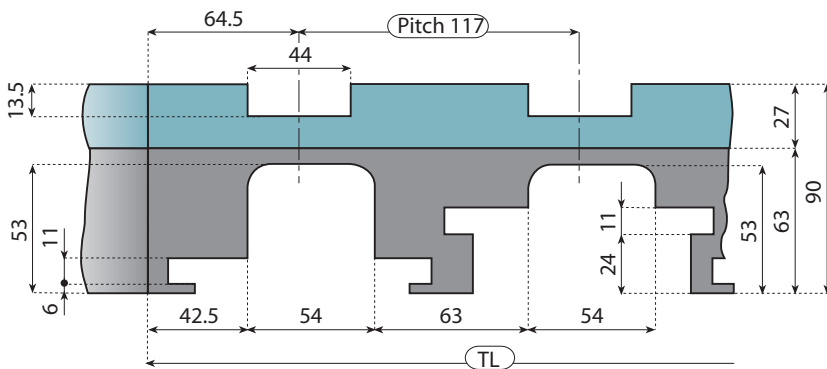


Inserts
The magnetic corner tracks can be supplied with M8 or M10 brass inserts to your detailed drawing.

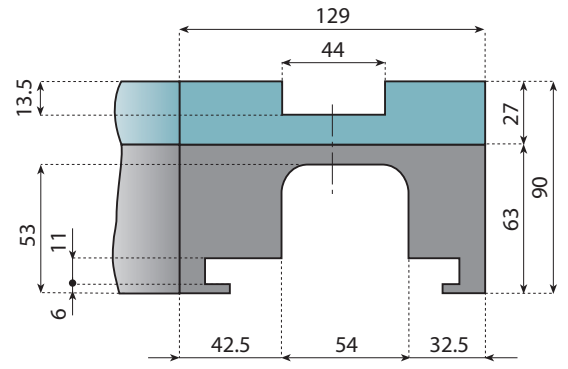
For magnetic chains type see pages 180-181

MATERIAL Pages 196-197

Tracks	Total width TL mm	15°	30°	45°	60°	75°	90°
1	100	KMD.96.15.01.A	KMD.96.30.01.A	KMD.96.45.01.A	KMD.96.60.01.A	KMD.96.75.01.A	KMD.96.90.01.A
2	185	KMD.96.15.02.A	KMD.96.30.02.A	KMD.96.45.02.A	KMD.96.60.02.A	KMD.96.75.02.A	KMD.96.90.02.A
3	270	KMD.96.15.03.A	KMD.96.30.03.A	KMD.96.45.03.A	KMD.96.60.03.A	KMD.96.75.03.A	KMD.96.90.03.A
4	355	KMD.96.15.04.A	KMD.96.30.04.A	KMD.96.45.04.A	KMD.96.60.04.A	KMD.96.75.04.A	KMD.96.90.04.A
5	440	KMD.96.15.05.A	KMD.96.30.05.A	KMD.96.45.05.A	KMD.96.60.05.A	KMD.96.75.05.A	KMD.96.90.05.A
6	525	KMD.96.15.06.A	KMD.96.30.06.A	KMD.96.45.06.A	KMD.96.60.06.A	KMD.96.75.06.A	KMD.96.90.06.A
7	610	KMD.96.15.07.A	KMD.96.30.07.A	KMD.96.45.07.A	KMD.96.60.07.A	KMD.96.75.07.A	KMD.96.90.07.A
8	695	KMD.96.15.08.A	KMD.96.30.08.A	KMD.96.45.08.A	KMD.96.60.08.A	KMD.96.75.08.A	KMD.96.90.08.A

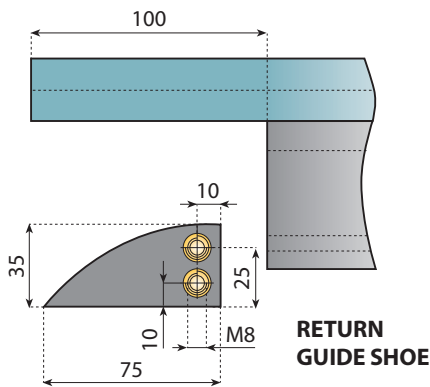


MULTI TRACKS

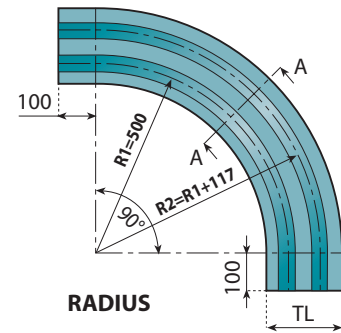


ONE TRACK

SEC. A-A



RETURN GUIDE SHOE



RADIUS

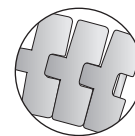
Now available in

"NOLU-S"

MATERIAL !

For further information see page 198

- More tracks and different angles available on request.



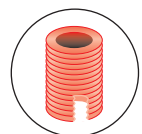
For sideflexing chainbelts, type: 2250 M



Magnetic corner tracks special materials
On request magnetic corner tracks for high speed and extremely abrasive applications can be supplied.



Magnetic corner tracks special dimensions
On request magnetic corner tracks with special dimensions can be produced.

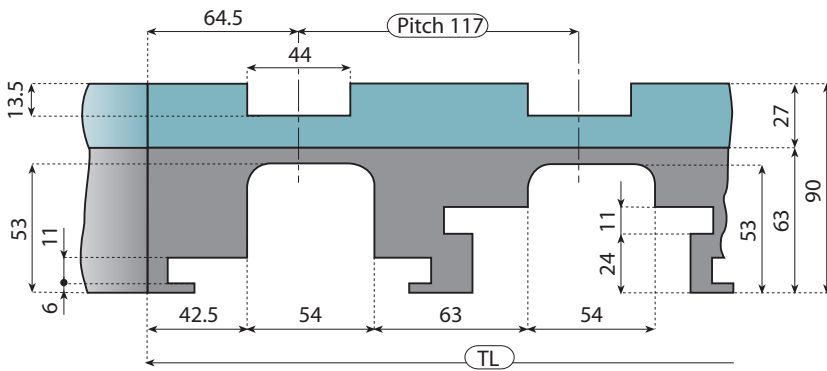


Inserts
The magnetic corner tracks can be supplied with M8 or M10 brass inserts to your detailed drawing.

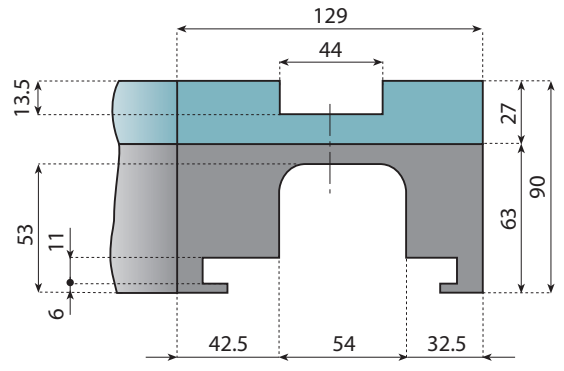
For magnetic chains type see pages 180

MATERIAL Pages 196→197

Tracks	Total width TL mm	15°	30°	45°	60°	75°	90°
1	129	KMD.54.15.01.B	KMD.54.30.01.B	KMD.54.45.01.B	KMD.54.60.01.B	KMD.54.75.01.B	KMD.54.90.01.B
2	246	KMD.54.15.02.B	KMD.54.30.02.B	KMD.54.45.02.B	KMD.54.60.02.B	KMD.54.75.02.B	KMD.54.90.02.B
3	363	KMD.54.15.03.B	KMD.54.30.03.B	KMD.54.45.03.B	KMD.54.60.03.B	KMD.54.75.03.B	KMD.54.90.03.B
4	480	KMD.54.15.04.B	KMD.54.30.04.B	KMD.54.45.04.B	KMD.54.60.04.B	KMD.54.75.04.B	KMD.54.90.04.B

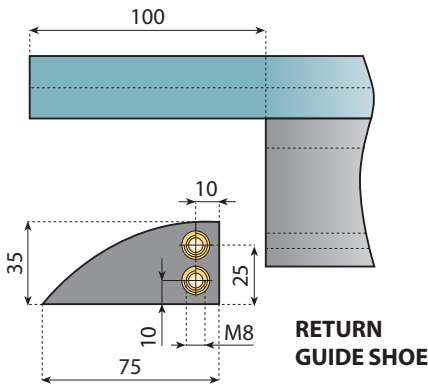


MULTI TRACKS

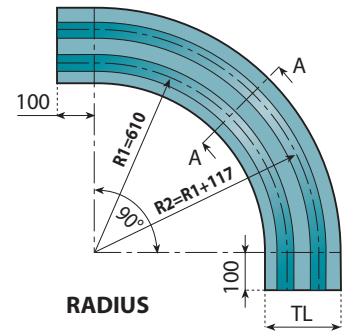


ONE TRACK

SEC. A-A



RETURN GUIDE SHOE

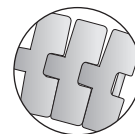


RADIUS

NOW AVAILABLE IN
"NOLU-S"
MATERIAL !

For further information see page 198

- More tracks and different angles available on request.



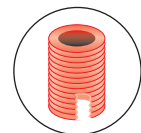
For sideflexing chainbelts, type: 2250 M



Magnetic corner tracks special materials
 On request magnetic corner tracks for high speed and extremely abrasive applications can be supplied.



Magnetic corner tracks special dimensions
 On request magnetic corner tracks with special dimensions can be produced.

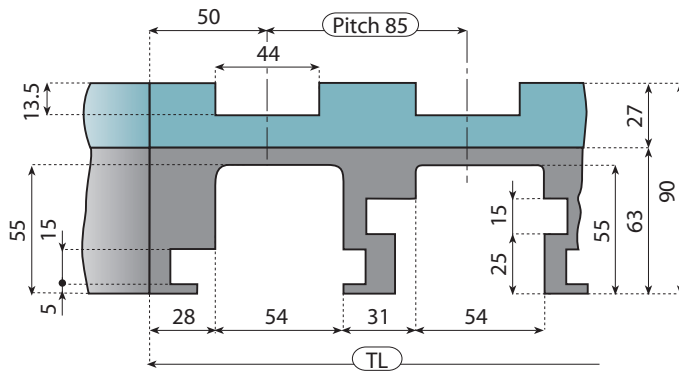


Inserts
 The magnetic corner tracks can be supplied with M8 or M10 brass inserts to your detailed drawing.

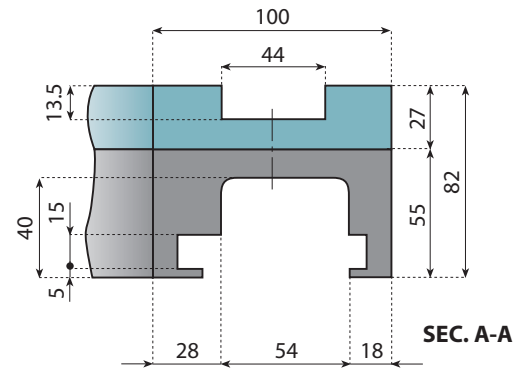
For magnetic chains type see pages 180

MATERIAL Pages 196-197

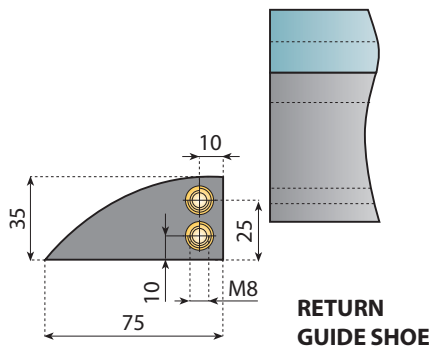
Tracks	Total width TL mm	15°	30°	45°	60°	75°	90°
1	129	KMD.56.15.01.B	KMD.56.30.01.B	KMD.56.45.01.B	KMD.56.60.01.B	KMD.56.75.01.B	KMD.56.90.01.B
2	246	KMD.56.15.02.B	KMD.56.30.02.B	KMD.56.45.02.B	KMD.56.60.02.B	KMD.56.75.02.B	KMD.56.90.02.B
3	363	KMD.56.15.03.B	KMD.56.30.03.B	KMD.56.45.03.B	KMD.56.60.03.B	KMD.56.75.03.B	KMD.56.90.03.B
4	480	KMD.56.15.04.B	KMD.56.30.04.B	KMD.56.45.04.B	KMD.56.60.04.B	KMD.56.75.04.B	KMD.56.90.04.B



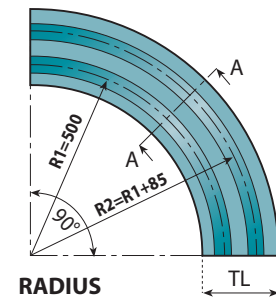
MULTI TRACKS



ONE TRACK



RETURN GUIDE SHOE

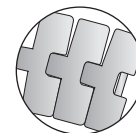


RADIUS

Now available in
"NOLU-S"
 MATERIAL!

For further information see page 198

- More tracks and different angles available on request.



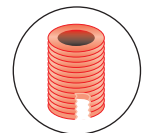
For sideflexing chainbelts, type: 2251 M



Magnetic corner tracks special materials
 On request magnetic corner tracks for high speed and extremely abrasive applications can be supplied.



Magnetic corner tracks special dimensions
 On request magnetic corner tracks with special dimensions can be produced.

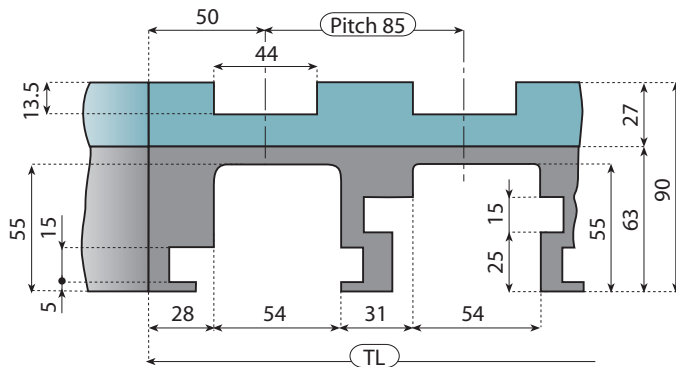


Inserts
 The magnetic corner tracks can be supplied with M8 or M10 brass inserts to your detailed drawing.

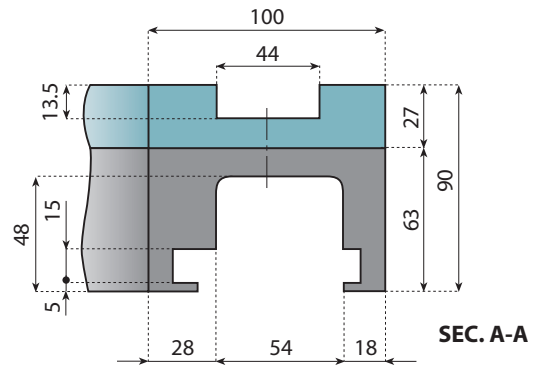
For magnetic chains type see pages 182

MATERIAL Pages 196-197

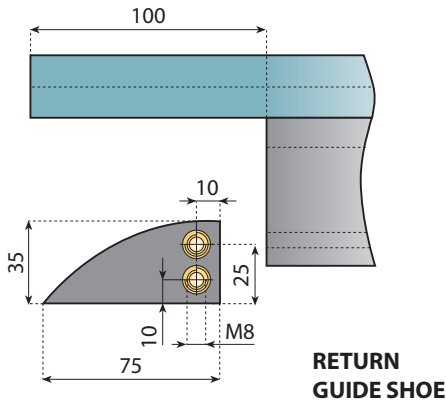
Tracks	Total width TL mm	15°	30°	45°	60°	75°	90°
1	100	KMD.84.15.01.A	KMD.84.30.01.A	KMD.84.45.01.A	KMD.84.60.01.A	KMD.84.75.01.A	KMD.84.90.01.A
2	185	KMD.84.15.02.A	KMD.84.30.02.A	KMD.84.45.02.A	KMD.84.60.02.A	KMD.84.75.02.A	KMD.84.90.02.A
3	270	KMD.84.15.03.A	KMD.84.30.03.A	KMD.84.45.03.A	KMD.84.60.03.A	KMD.84.75.03.A	KMD.84.90.03.A
4	355	KMD.84.15.04.A	KMD.84.30.04.A	KMD.84.45.04.A	KMD.84.60.04.A	KMD.84.75.04.A	KMD.84.90.04.A
5	440	KMD.84.15.05.A	KMD.84.30.05.A	KMD.84.45.05.A	KMD.84.60.05.A	KMD.84.75.05.A	KMD.84.90.05.A
6	525	KMD.84.15.06.A	KMD.84.30.06.A	KMD.84.45.06.A	KMD.84.60.06.A	KMD.84.75.06.A	KMD.84.90.06.A
7	610	KMD.84.15.07.A	KMD.84.30.07.A	KMD.84.45.07.A	KMD.84.60.07.A	KMD.84.75.07.A	KMD.84.90.07.A
8	695	KMD.84.15.08.A	KMD.84.30.08.A	KMD.84.45.08.A	KMD.84.60.08.A	KMD.84.75.08.A	KMD.84.90.08.A



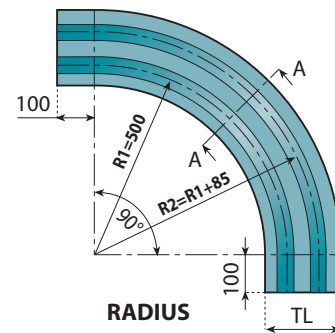
MULTI TRACKS



ONE TRACK



RETURN GUIDE SHOE

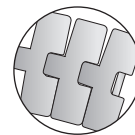


RADIUS

NOW AVAILABLE IN
"NOLU-S"
MATERIAL !

For further information see page 198

- More tracks and different angles available on request.



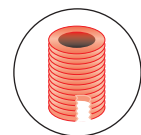
For sideflexing chainbelts, type: 2251 M



Magnetic corner tracks special materials
 On request magnetic corner tracks for high speed and extremely abrasive applications can be supplied.



Magnetic corner tracks special dimensions
 On request magnetic corner tracks with special dimensions can be produced.

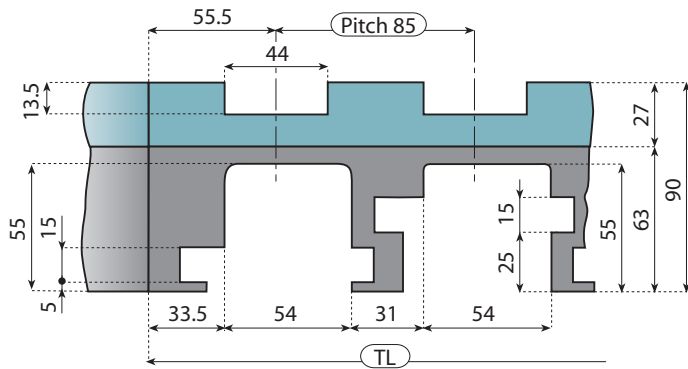


Inserts
 The magnetic corner tracks can be supplied with M8 or M10 brass inserts to your detailed drawing.

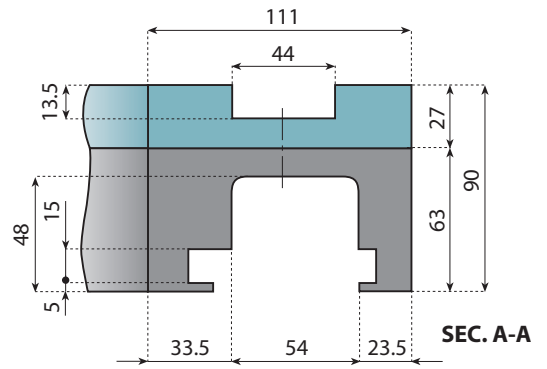
For magnetic chains type see pages 182

Pages 196-197

Tracks	Total width TL mm	15°	30°	45°	60°	75°	90°
1	100	KMD.85.15.01.B	KMD.85.30.01.B	KMD.85.45.01.B	KMD.85.60.01.B	KMD.85.75.01.B	KMD.85.90.01.B
2	185	KMD.85.15.02.B	KMD.85.30.02.B	KMD.85.45.02.B	KMD.85.60.02.B	KMD.85.75.02.B	KMD.85.90.02.B
3	270	KMD.85.15.03.B	KMD.85.30.03.B	KMD.85.45.03.B	KMD.85.60.03.B	KMD.85.75.03.B	KMD.85.90.03.B
4	355	KMD.85.15.04.B	KMD.85.30.04.B	KMD.85.45.04.B	KMD.85.60.04.B	KMD.85.75.04.B	KMD.85.90.04.B
5	440	KMD.85.15.05.B	KMD.85.30.05.B	KMD.85.45.05.B	KMD.85.60.05.B	KMD.85.75.05.B	KMD.85.90.05.B
6	525	KMD.85.15.06.B	KMD.85.30.06.B	KMD.85.45.06.B	KMD.85.60.06.B	KMD.85.75.06.B	KMD.85.90.06.B
7	610	KMD.85.15.07.B	KMD.85.30.07.B	KMD.85.45.07.B	KMD.85.60.07.B	KMD.85.75.07.B	KMD.85.90.07.B
8	695	KMD.85.15.08.B	KMD.85.30.08.B	KMD.85.45.08.B	KMD.85.60.08.B	KMD.85.75.08.B	KMD.85.90.08.B

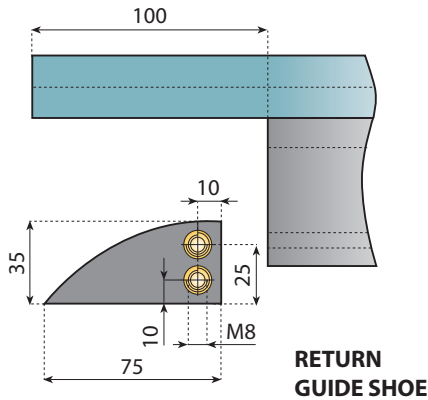


MULTI TRACKS

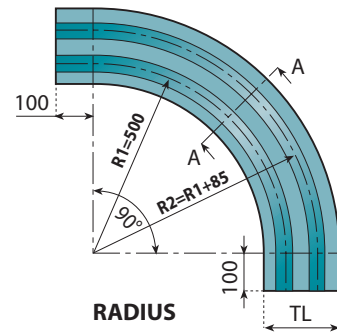


ONE TRACK

SEC. A-A



RETURN GUIDE SHOE

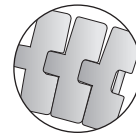


RADIUS

NOW AVAILABLE IN
"NOLU-S"
MATERIAL !

For further information see page 198

- More tracks and different angles available on request.



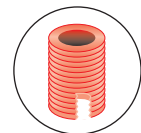
For sideflexing chainbelts, type: 2251 M



Magnetic corner tracks special materials
 On request magnetic corner tracks for high speed and extremely abrasive applications can be supplied.



Magnetic corner tracks special dimensions
 On request magnetic corner tracks with special dimensions can be produced.



Inserts
 The magnetic corner tracks can be supplied with M8 or M10 brass inserts to your detailed drawing.

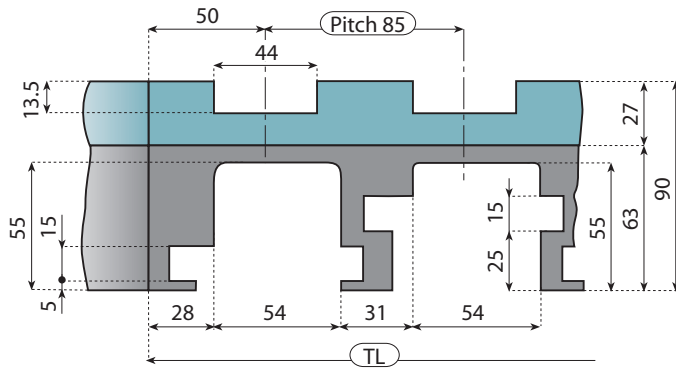


For magnetic chains type see pages 182

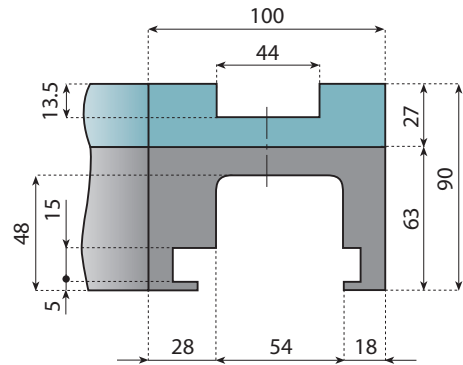


Pages 196⇒197

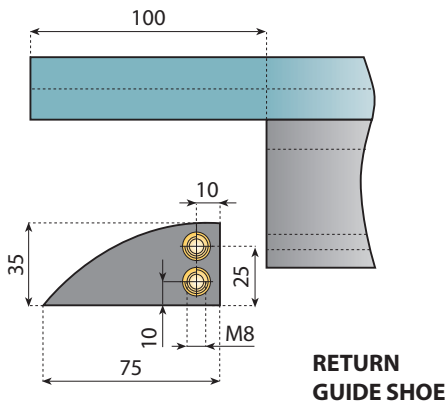
Tracks	Total width TL mm	15°	30°	45°	60°	75°	90°
1	111	KMD.86.15.01.B	KMD.86.30.01.B	KMD.86.45.01.B	KMD.86.60.01.B	KMD.86.75.01.B	KMD.86.90.01.B
2	196	KMD.86.15.02.B	KMD.86.30.02.B	KMD.86.45.02.B	KMD.86.60.02.B	KMD.86.75.02.B	KMD.86.90.02.B
3	281	KMD.86.15.03.B	KMD.86.30.03.B	KMD.86.45.03.B	KMD.86.60.03.B	KMD.86.75.03.B	KMD.86.90.03.B
4	366	KMD.86.15.04.B	KMD.86.30.04.B	KMD.86.45.04.B	KMD.86.60.04.B	KMD.86.75.04.B	KMD.86.90.04.B
5	451	KMD.86.15.05.B	KMD.86.30.05.B	KMD.86.45.05.B	KMD.86.60.05.B	KMD.86.75.05.B	KMD.86.90.05.B
6	536	KMD.86.15.06.B	KMD.86.30.06.B	KMD.86.45.06.B	KMD.86.60.06.B	KMD.86.75.06.B	KMD.86.90.06.B
7	621	KMD.86.15.07.B	KMD.86.30.07.B	KMD.86.45.07.B	KMD.86.60.07.B	KMD.86.75.07.B	KMD.86.90.07.B
8	706	KMD.86.15.08.B	KMD.86.30.08.B	KMD.86.45.08.B	KMD.86.60.08.B	KMD.86.75.08.B	KMD.86.90.08.B



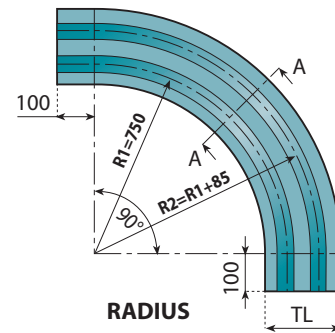
MULTI TRACKS



ONE TRACK



RETURN GUIDE SHOE

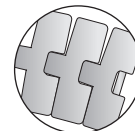


RADIUS

Now available in
"NOLU-S"
MATERIAL!

For further information see page 198

- More tracks and different angles available on request.



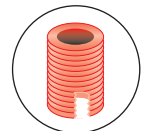
For sideflexing chainbelts, type: 2251 M



Magnetic corner tracks special materials
On request magnetic corner tracks for high speed and extremely abrasive applications can be supplied.



Magnetic corner tracks special dimensions
On request magnetic corner tracks with special dimensions can be produced.

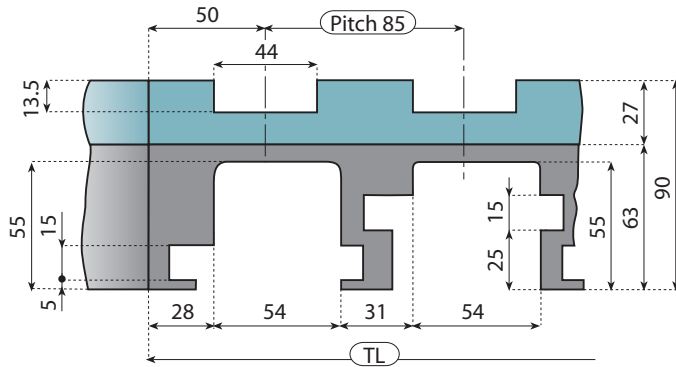


Inserts
The magnetic corner tracks can be supplied with M8 or M10 brass inserts to your detailed drawing.

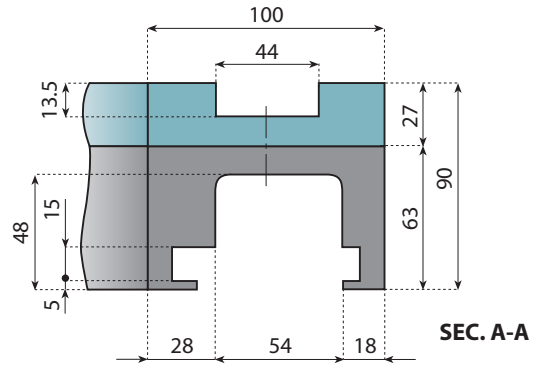
For magnetic chains type see pages 182

MATERIAL Pages 196-197

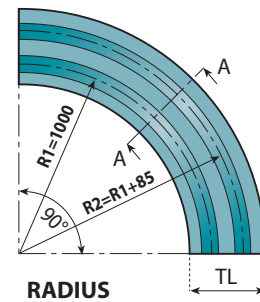
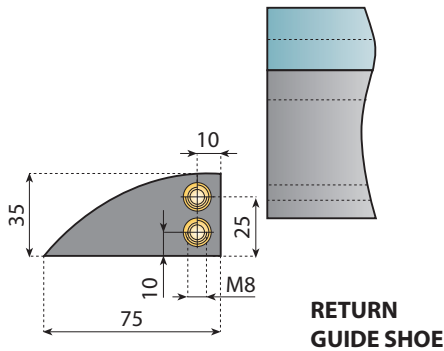
Tracks	Total width TL mm	15°	30°	45°	60°	75°	90°
1	100	KMD.87.15.01.B	KMD.87.30.01.B	KMD.87.45.01.B	KMD.87.60.01.B	KMD.87.75.01.B	KMD.87.90.01.B
2	185	KMD.87.15.02.B	KMD.87.30.02.B	KMD.87.45.02.B	KMD.87.60.02.B	KMD.87.75.02.B	KMD.87.90.02.B
3	270	KMD.87.15.03.B	KMD.87.30.03.B	KMD.87.45.03.B	KMD.87.60.03.B	KMD.87.75.03.B	KMD.87.90.03.B
4	355	KMD.87.15.04.B	KMD.87.30.04.B	KMD.87.45.04.B	KMD.87.60.04.B	KMD.87.75.04.B	KMD.87.90.04.B
5	440	KMD.87.15.05.B	KMD.87.30.05.B	KMD.87.45.05.B	KMD.87.60.05.B	KMD.87.75.05.B	KMD.87.90.05.B
6	525	KMD.87.15.06.B	KMD.87.30.06.B	KMD.87.45.06.B	KMD.87.60.06.B	KMD.87.75.06.B	KMD.87.90.06.B
7	610	KMD.87.15.07.B	KMD.87.30.07.B	KMD.87.45.07.B	KMD.87.60.07.B	KMD.87.75.07.B	KMD.87.90.07.B
8	695	KMD.87.15.08.B	KMD.87.30.08.B	KMD.87.45.08.B	KMD.87.60.08.B	KMD.87.75.08.B	KMD.87.90.08.B



MULTI TRACKS



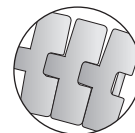
ONE TRACK



NOW AVAILABLE IN
"NOLU-S"
MATERIAL !

For further information see page 198

- More tracks and different angles available on request.



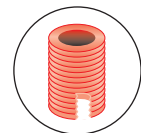
For sideflexing chainbelts, type: 2251 M



Magnetic corner tracks special materials
 On request magnetic corner tracks for high speed and extremely abrasive applications can be supplied.



Magnetic corner tracks special dimensions
 On request magnetic corner tracks with special dimensions can be produced.



Inserts
 The magnetic corner tracks can be supplied with M8 or M10 brass inserts to your detailed drawing.

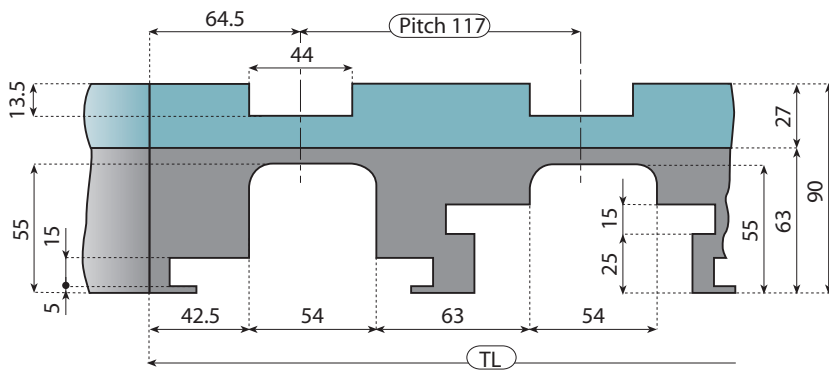


For magnetic chains type see pages 182

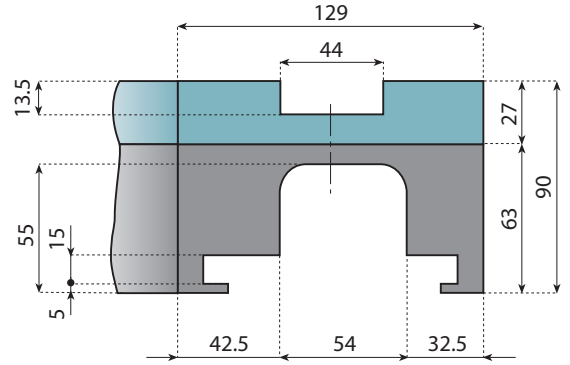


Pages 196⇒197

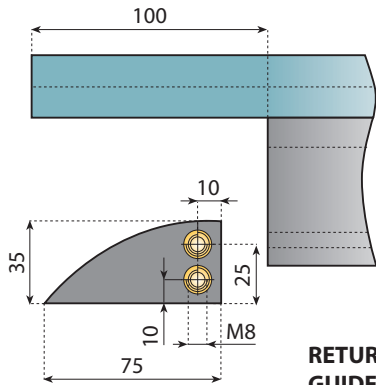
Tracks	Total width TL mm	15°	30°	45°	60°	75°	90°
1	100	KMD.97.15.01.A	KMD.97.30.01.A	KMD.97.45.01.A	KMD.97.60.01.A	KMD.97.75.01.A	KMD.97.90.01.A
2	185	KMD.97.15.02.A	KMD.97.30.02.A	KMD.97.45.02.A	KMD.97.60.02.A	KMD.97.75.02.A	KMD.97.90.02.A
3	270	KMD.97.15.03.A	KMD.97.30.03.A	KMD.97.45.03.A	KMD.97.60.03.A	KMD.97.75.03.A	KMD.97.90.03.A
4	355	KMD.97.15.04.A	KMD.97.30.04.A	KMD.97.45.04.A	KMD.97.60.04.A	KMD.97.75.04.A	KMD.97.90.04.A
5	440	KMD.97.15.05.A	KMD.97.30.05.A	KMD.97.45.05.A	KMD.97.60.05.A	KMD.97.75.05.A	KMD.97.90.05.A
6	525	KMD.97.15.06.A	KMD.97.30.06.A	KMD.97.45.06.A	KMD.97.60.06.A	KMD.97.75.06.A	KMD.97.90.06.A
7	610	KMD.97.15.07.A	KMD.97.30.07.A	KMD.97.45.07.A	KMD.97.60.07.A	KMD.97.75.07.A	KMD.97.90.07.A
8	695	KMD.97.15.08.A	KMD.97.30.08.A	KMD.97.45.08.A	KMD.97.60.08.A	KMD.97.75.08.A	KMD.97.90.08.A



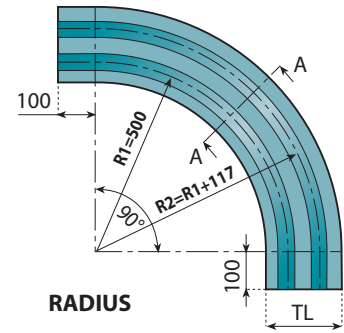
MULTI TRACKS



ONE TRACK



RETURN GUIDE SHOE



RADIUS

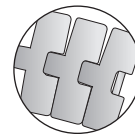
Now available in

"NOLU-S"

MATERIAL !

For further information see page 198

- More tracks and different angles available on request.



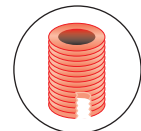
For sideflexing chainbelts, type: 2251 M



Magnetic corner tracks special materials
On request magnetic corner tracks for high speed and extremely abrasive applications can be supplied.



Magnetic corner tracks special dimensions
On request magnetic corner tracks with special dimensions can be produced.



Inserts
The magnetic corner tracks can be supplied with M8 or M10 brass inserts to your detailed drawing.

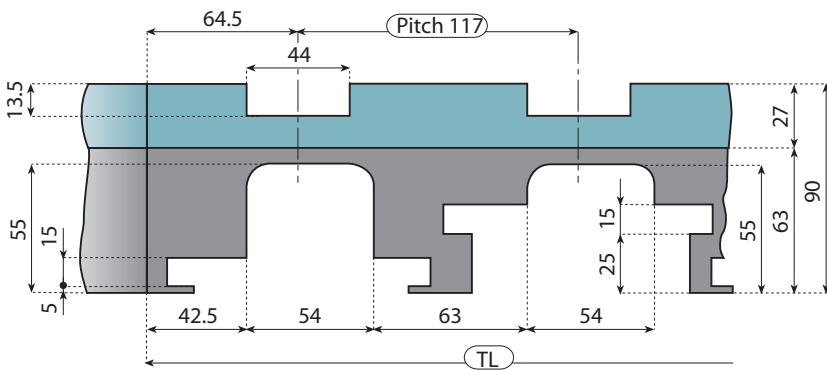


For magnetic chains type see pages 182

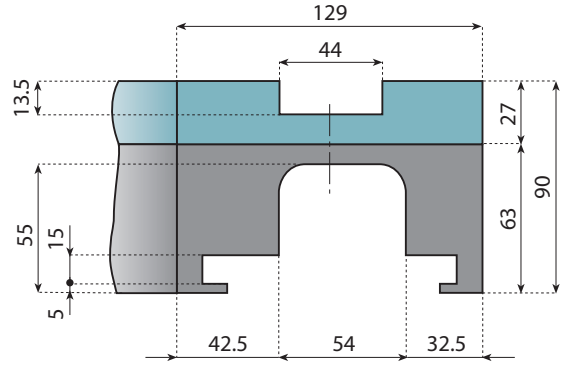


Pages 196-197

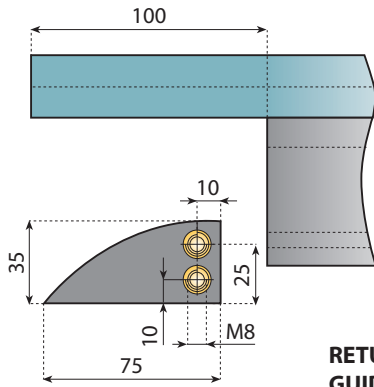
Tracks	Total width TL mm	15°	30°	45°	60°	75°	90°
1	129	KMD.64.15.01.B	KMD.64.30.01.B	KMD.64.45.01.B	KMD.64.60.01.B	KMD.64.75.01.B	KMD.64.90.01.B
2	246	KMD.64.15.02.B	KMD.64.30.02.B	KMD.64.45.02.B	KMD.64.60.02.B	KMD.64.75.02.B	KMD.64.90.02.B
3	363	KMD.64.15.03.B	KMD.64.30.03.B	KMD.64.45.03.B	KMD.64.60.03.B	KMD.64.75.03.B	KMD.64.90.03.B
4	480	KMD.64.15.04.B	KMD.64.30.04.B	KMD.64.45.04.B	KMD.64.60.04.B	KMD.64.75.04.B	KMD.64.90.04.B



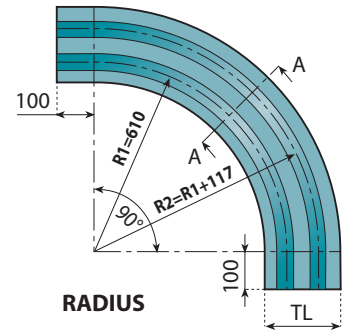
MULTI TRACKS



ONE TRACK



RETURN GUIDE SHOE

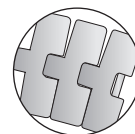


RADIUS

Now available in
"NOLU-S"
 MATERIAL !

For further information see page 198

- More tracks and different angles available on request.



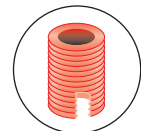
For sideflexing chainbelts, type: 2251 M



Magnetic corner tracks special materials
 On request magnetic corner tracks for high speed and extremely abrasive applications can be supplied.



Magnetic corner tracks special dimensions
 On request magnetic corner tracks with special dimensions can be produced.



Inserts
 The magnetic corner tracks can be supplied with M8 or M10 brass inserts to your detailed drawing.



For magnetic chains type see pages 182



Pages 196-197

Tracks	Total width TL mm	15°	30°	45°	60°	75°	90°
1	129	KMD.66.15.01.B	KMD.66.30.01.B	KMD.66.45.01.B	KMD.66.60.01.B	KMD.66.75.01.B	KMD.66.90.01.B
2	246	KMD.66.15.02.B	KMD.66.30.02.B	KMD.66.45.02.B	KMD.66.60.02.B	KMD.66.75.02.B	KMD.66.90.02.B
3	363	KMD.66.15.03.B	KMD.66.30.03.B	KMD.66.45.03.B	KMD.66.60.03.B	KMD.66.75.03.B	KMD.66.90.03.B
4	480	KMD.66.15.04.B	KMD.66.30.04.B	KMD.66.45.04.B	KMD.66.60.04.B	KMD.66.75.04.B	KMD.66.90.04.B



Safe Transfer Module

Features

- Safe and smooth Transfer of instable products
- Compact design, one solid piece, no edges
- Easy installation

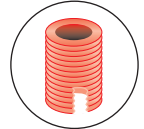
Note

- For TAB system and BEVEL system one set can be used as left or right transfer
- For MAGNETIC system left or right has to be specified when ordering.

Now AVAILABLE IN

"NOLU-S"

MATERIAL !



Inserts:

The Safe Transfer Module can be supplied with M8 or M10 brass inserts to your detailed drawing

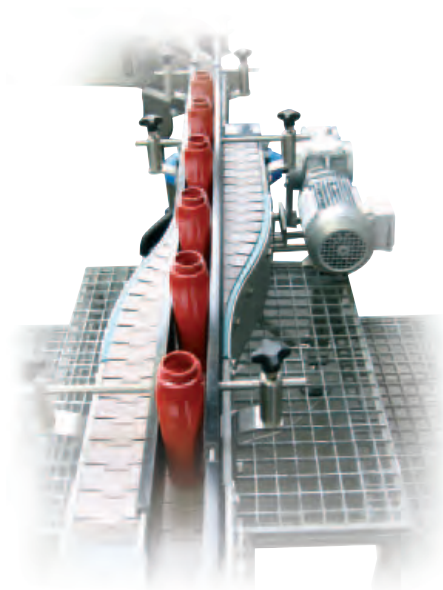


Safe Transfer Module Special Dimensions

On request Safe Transfer Module with special dimensions can be produced.

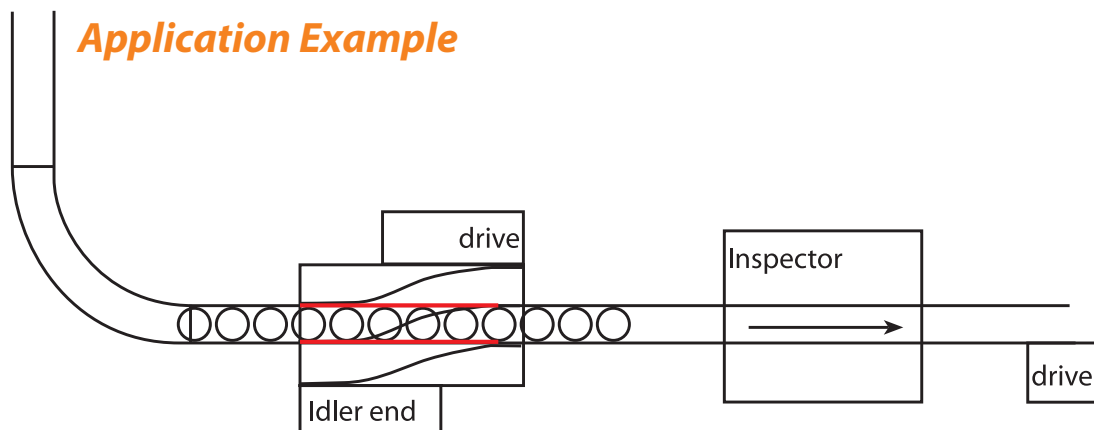


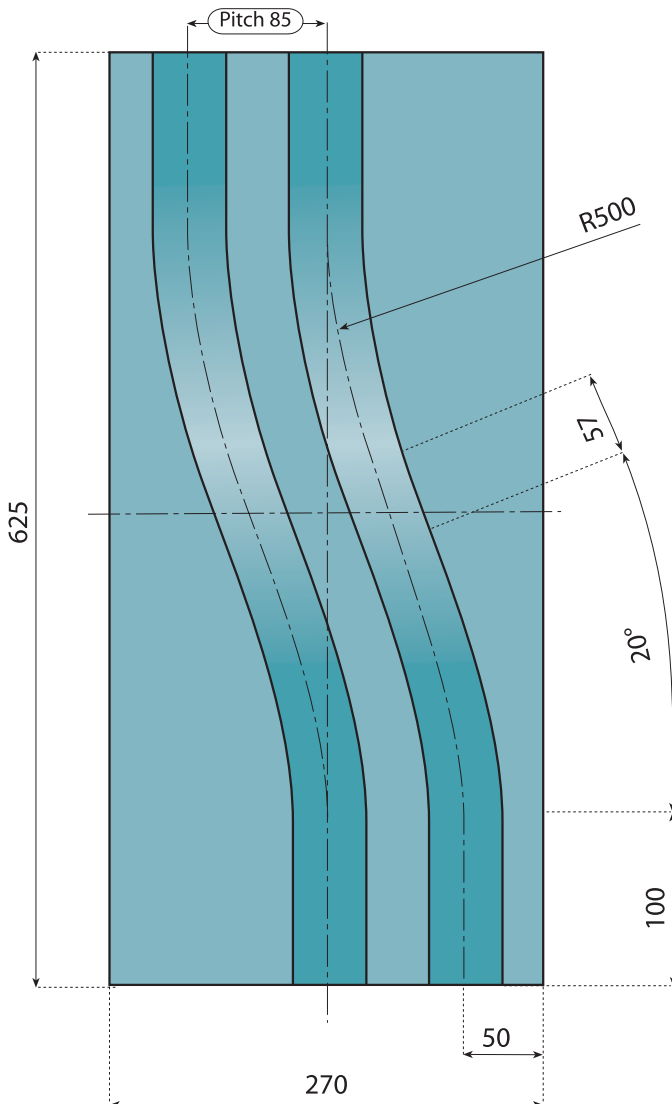
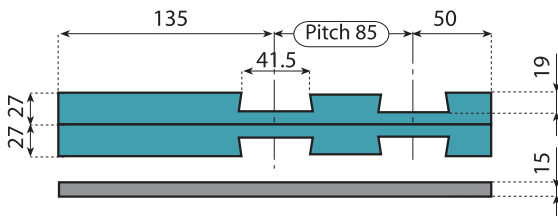
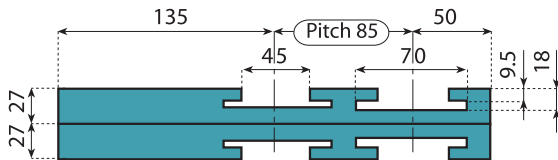
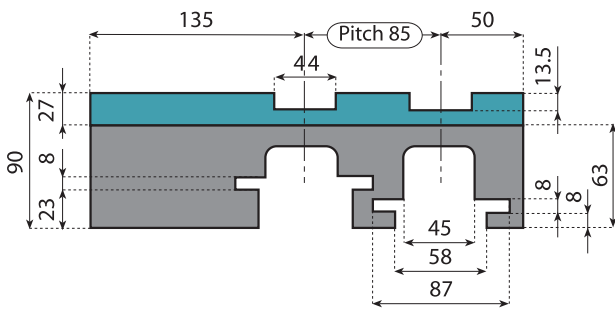
Standard Version



Compact Version

Application Example

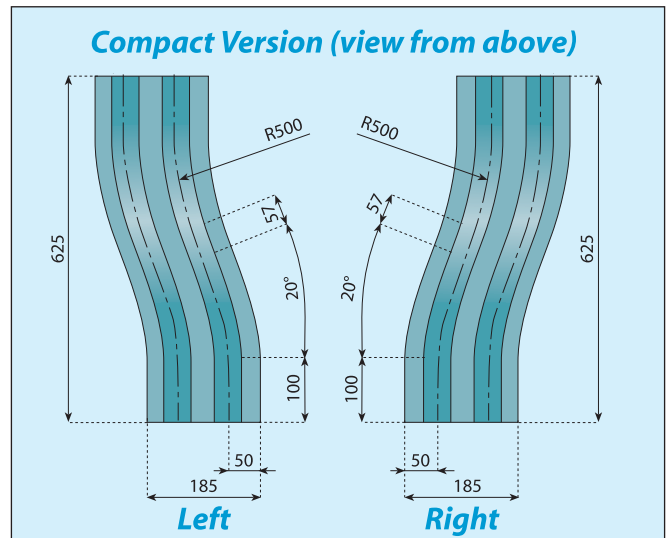
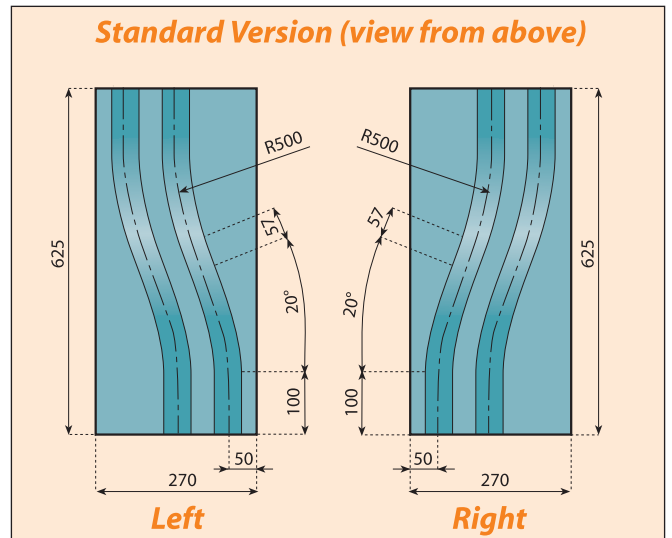




MAGNETIC SYSTEM		
Version	Left	Right
Standard	KMD-LM032002B	KMD-RM032002B
Compact	KMD-LM032002BC	KMD-RM032002BC

TAB SYSTEM	
Version	Left / Right
Standard	KMD-T032002B
Compact	KMD-T032002BC

BEVEL SYSTEM	
Version	Left / Right
Standard	KMD-B032002B
Compact	KMD-B032002BC



CORNER TRACKS

Pages

[For steel chains and plastic chains](#) **256 → 264**

STRAIGHT TRACKS

Pages

[For steel chains and plastic chains](#) **265 → 272**

FOR OUR CORNER TRACKS AND STRAIGHT TRACKS WE USE FOLLOWING MATERIALS:

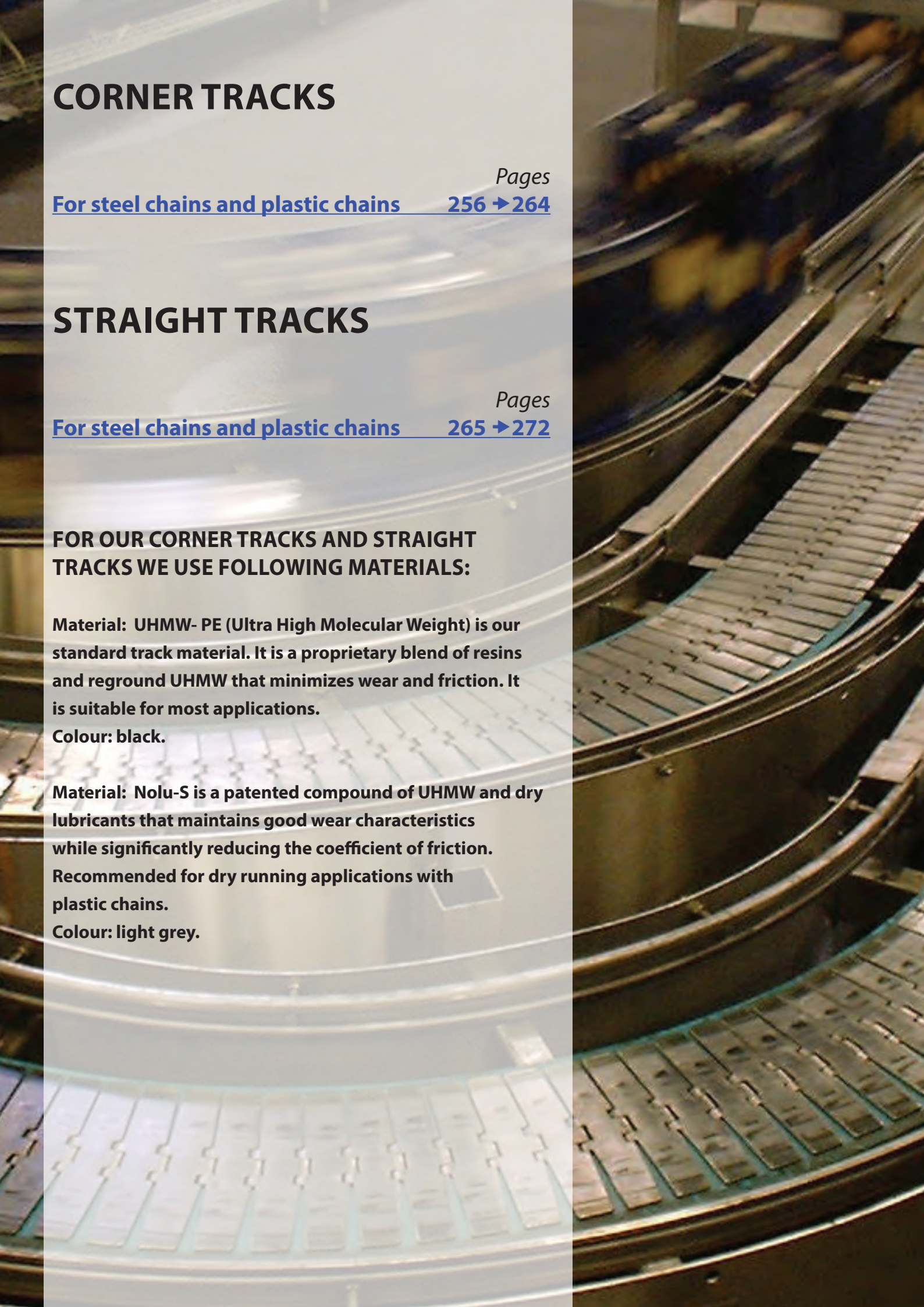
Material: UHMW- PE (Ultra High Molecular Weight) is our standard track material. It is a proprietary blend of resins and reground UHMW that minimizes wear and friction. It is suitable for most applications.

Colour: black.

Material: Nolu-S is a patented compound of UHMW and dry lubricants that maintains good wear characteristics while significantly reducing the coefficient of friction.

Recommended for dry running applications with plastic chains.

Colour: light grey.

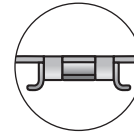


CORNER TRACKS FOR TAB CHAINS

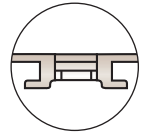
878 TAB - 879 TAB - 880 TAB - 881 TAB - 881O TAB - 2250 TAB - 2251 TAB FT



For chains,
type see page:
21 - 29 - 38
40 - 49 - 56 - 62
181 - 182

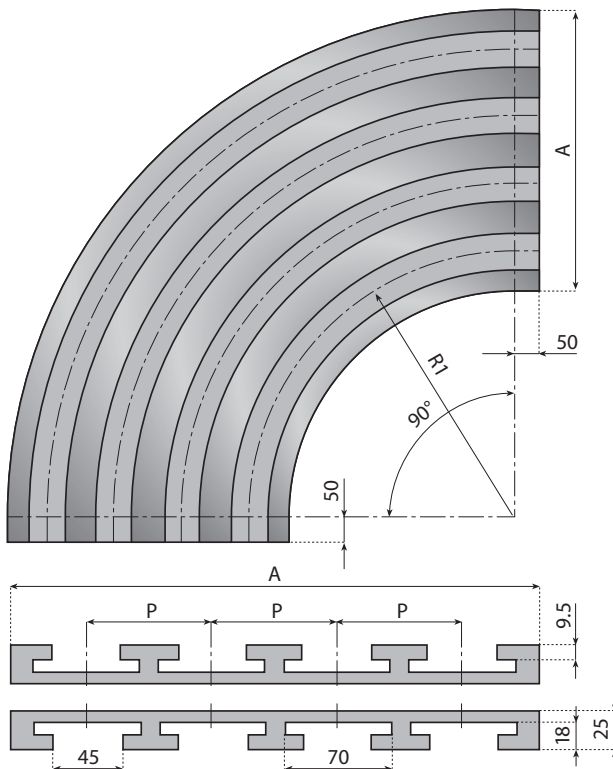


For steel chains, type:
881 TAB
881O TAB



For plastic chains, type:
878 TAB - 879 TAB
880 TAB
2250 TAB - 2251 TAB

FOR CORNER TRACKS IN NOLU-S MATERIAL,
JUST ADD "NS" TO PART NUMBER. EXAMPLE CODE "19017NS"



Tab chains K325 pitch 85 mm						
Tracks	Total width A mm	Radius R1 = 500	Radius R1 = 610	Radius R1 = 650	Radius R1 = 800	Radius R1 = 1000
1	100	19017*	19125	19131	19137	19143
2	185	19149	19154	19159	19164	19169
3	270	19150	19155	19160	19165	19170
4	355	19151	19156	19161	19166	19171
5	440	19152	19157	19162	19167	19172
6	525	19153	19158	19163	19168	19173

Tab chains K325 pitch 88 mm						
Tracks	Total width A mm	Radius R1 = 500	Radius R1 = 610	Radius R1 = 650	Radius R1 = 800	Radius R1 = 1000
1	100	19017*	19125	19131	19137	19143
2	188	19120	19126	19132	19138	19144
3	276	19121	19127	19133	19139	19145
4	364	19122	19128	19134	19140	19146
5	452	19123	19129	19135	19141	19147
6	540	19124	19130	19136	19142	19148

Tab chains K325 - K350 pitch 90 mm						
Tracks	Total width A mm	Radius R1 = 500	Radius R1 = 610	Radius R1 = 650	Radius R1 = 800	Radius R1 = 1000
1	100	19017*	19125	19131	19137	19143
2	190	19465	19470	19475	19480	19485
3	280	19466	19471	19476	19481	19486
4	370	19467	19472	19477	19482	19487
5	460	19468	19473	19478	19483	19488
6	550	19469	19474	19479	19484	19489

Tab chains K450 pitch 120 mm						
Tracks	Total width A mm	Radius R1 = 500	Radius R1 = 610	Radius R1 = 650	Radius R1 = 800	Radius R1 = 1000
1	130	-	19018*	19175	19177	19179
2	250	-	19174	19176	19178	19180
3	370	-	19445	19449	19453	19457
4	490	-	19446	19450T	19454	19458
5	610	-	19447	19451T	19455	19459
6	730	-	19448	19452T	19456	19460T

Tab chains K750 pitch 195 mm						
Tracks	Total width A mm	Radius R1 = 500	Radius R1 = 610	Radius R1 = 650	Radius R1 = 800	Radius R1 = 1000
1	200	-	19181	19183	19185	19187
2	395	-	19182	19184	19186	19188
3	590	-	19490	19492	19494	19496
4	785	-	19491	19493	19495	19497

* These curves are now available ex stock in Nolu-S material, part number 19017-NS and 19018-NS

Now available in
"NOLU-S"
MATERIAL !

For further
information
see page 198

• More tracks available on request.

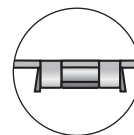
Material: UHMW- PE, colour: black.

Material: Nolu-S, colour: light grey.

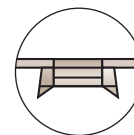
Supply: corner tracks are supplied complete with carry and return plates.



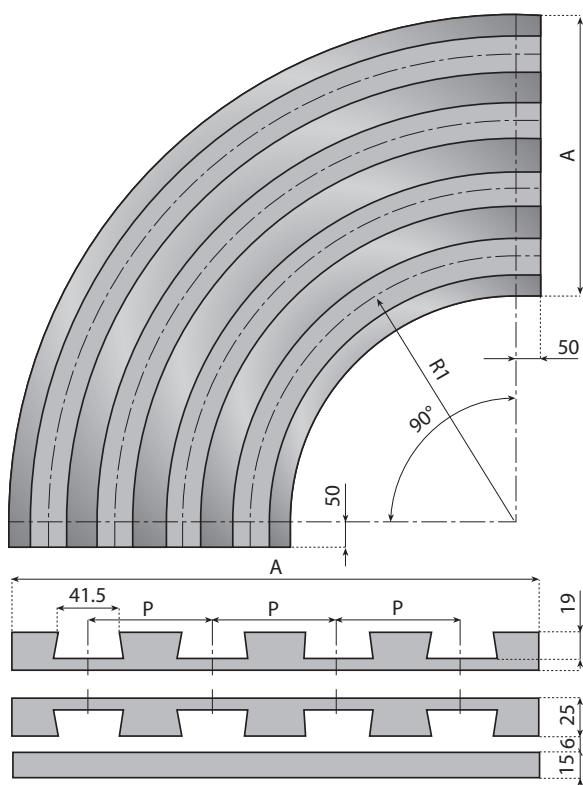
For chains,
type see page:
[20-29-36-37](#)



For steel chains, type:
881 • 881O



For plastic chains, type:
879 • 880



FOR CORNER TRACKS IN **NOLU-S** MATERIAL,
JUST ADD "NS" TO PART NUMBER. EXAMPLE CODE "19015NS"

BEVEL chains K325 pitch 85 mm						
Tracks	Total width A mm	Radius R1 = 500	Radius R1 = 610	Radius R1 = 650	Radius R1 = 800	Radius R1 = 1000
1	100	19015	19279	19285	19291	19297
2	185	19303	19308	19313	19318	19323
3	270	19304	19309	19314	19319	19324
4	355	19305	19310	19315	19320	19325
5	440	19306	19311	19316	19321	19326
6	525	19307	19312	19317	19322	19327

BEVEL chains K325 pitch 88 mm						
Tracks	Total width A mm	Radius R1 = 500	Radius R1 = 610	Radius R1 = 650	Radius R1 = 800	Radius R1 = 1000
1	100	19015	19279	19285	19291	19297
2	188	19274	19280	19286	19292	19298
3	276	19275	19281	19287	19293	19299
4	364	19276	19282	19288	19294	19300
5	452	19277	19283	19289	19295	19301
6	540	19278	19284	19290	19296	19302

BEVEL chains K325 - K350 pitch 90 mm						
Tracks	Total width A mm	Radius R1 = 500	Radius R1 = 610	Radius R1 = 650	Radius R1 = 800	Radius R1 = 1000
1	100	19015	19279	19285	19291	19297
2	190	19914	19919	19924	19929	19934
3	280	19915	19920	19925	19930	19935
4	370	19916	19921	19926	19931	19936
5	460	19917	19922	19927	19932	19937
6	550	19918	19923	19928	19933	19938

BEVEL chains K450 pitch 120 mm						
Tracks	Total width A mm	Radius R1 = 500	Radius R1 = 610	Radius R1 = 650	Radius R1 = 800	Radius R1 = 1000
1	130	-	19016	19330	19332	19334
2	250	-	19329	19331	19333	19335
3	370	-	19896	19897	19898	19899
4	490	-	19901	19904	19907	19910
5	610	-	19902	19905	19908	19911
6	730	-	19903	19906	19909	19912

BEVEL chains K750 pitch 195 mm						
Tracks	Total width A mm	Radius R1 = 500	Radius R1 = 610	Radius R1 = 650	Radius R1 = 800	Radius R1 = 1000
1	200	-	19336	19338	19340	19342
2	395	-	19337	19339	19341	19343
3	590	-	19939	19941	19943	19945
4	785	-	19940	19942	19944	19946

Now available in
"NOLU-S"
MATERIAL !

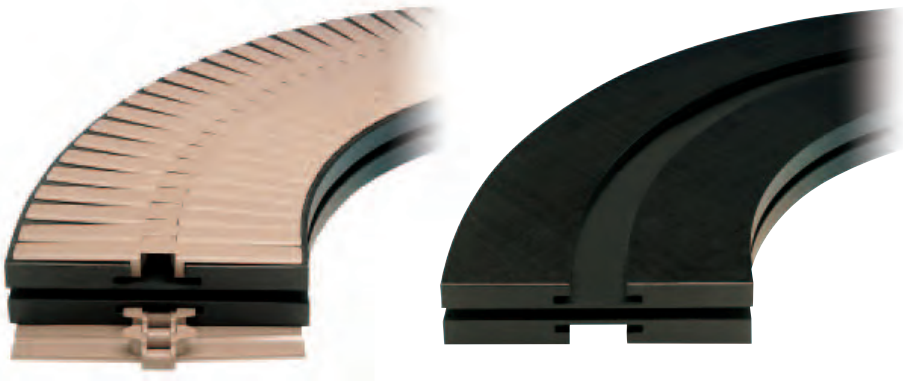
For further information see page 198

• More tracks available on request.

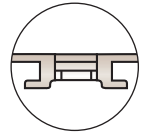
Material: UHMW- PE, colour: black.

Material: Nolu-S, colour: light grey.

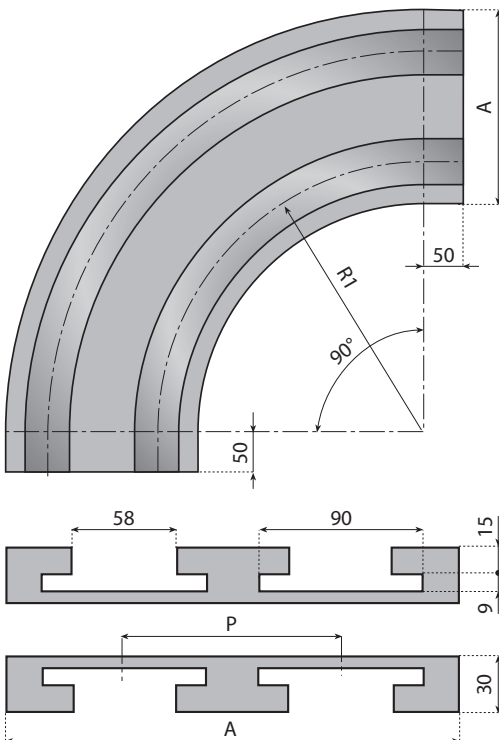
Supply: corner tracks are supplied complete with carry and return plates.



For chains,
type see page:
[42-50-51-57](#)



For plastic chains, type:
882 TAB



**FOR CORNER TRACKS IN NOLU-S MATERIAL,
JUST ADD "NS" TO PART NUMBER. EXAMPLE CODE "19102NS"**

Tab chains K450 pitch 120 mm					
Tracks	Total width A mm	Radius R1 = 610	Radius R1 = 650	Radius R1 = 800	Radius R1 = 1000
1	130	19102	19190	19192	19194
2	250	19189	19191	19193	19195
3	370	19950	19954	19958	19962
4	490	19951	19955	19959	19963
5	610	19952	19956	19960	19964
6	730	19953	19957	19961	19965

Tab chains K750 pitch 195 mm					
Tracks	Total width A mm	Radius R1 = 610	Radius R1 = 650	Radius R1 = 800	Radius R1 = 1000
1	200	19103	19197	19199	19201
2	395	19196	19198	19200	19202
3	590	19966	19968	19970	19972
4	785	19967	19969	19971	19973

Tab chains K1000 pitch 260 mm					
Tracks	Total width A mm	Radius R1 = 610	Radius R1 = 650	Radius R1 = 800	Radius R1 = 1000
1	270	19104	19204	19206	19208
2	530	19203	19205	19207	19209
3	790	19974	19976	19978	19980
4	1050	19975	19977	19979	19981

Tab chains K1200 pitch 310 mm					
Tracks	Total width A mm	Radius R1 = 610	Radius R1 = 650	Radius R1 = 800	Radius R1 = 1000
1	320	19105	19211	19213	19215
2	630	19210	19212	19214	19216
3	940	19982	19984	19986	19988
4	1250	19983	19985	19987	19989

NOW AVAILABLE IN
"NOLU-S"
MATERIAL !

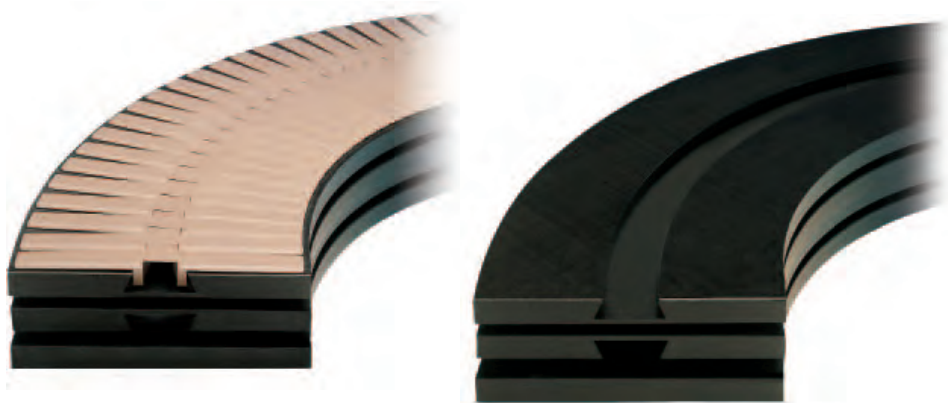
For further
information
see page 198

• More tracks available on request.

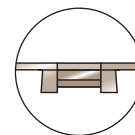
Material: UHMW- PE, colour: black.

Material: Nolu-S, colour: light grey.

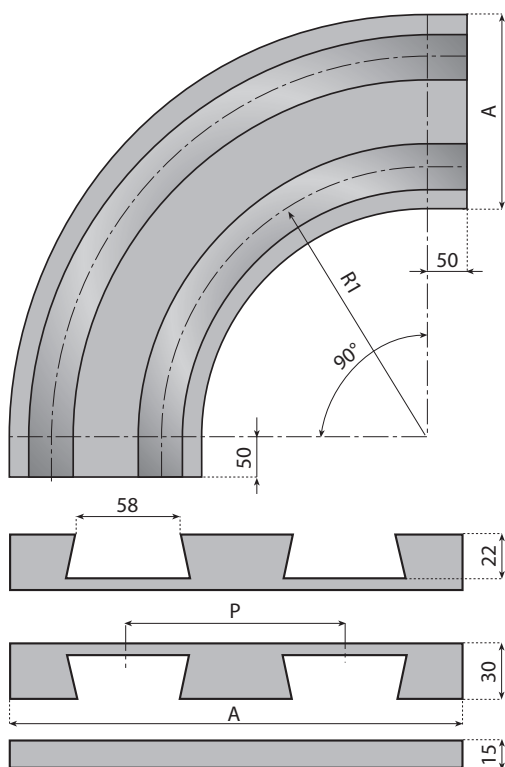
Supply: corner tracks are supplied complete with carry and return plates.



For chains,
type see page:
[41](#)



For plastic chains, type:
882 BEVEL



**FOR CORNER TRACKS IN NOLU-S MATERIAL,
JUST ADD "NS" TO PART NUMBER. EXAMPLE CODE "190001NS"**

BEVEL chains K450 pitch 120 mm					
Tracks	Total width A mm	Radius R1 = 610	Radius R1 = 650	Radius R1 = 800	Radius R1 = 1000
1	130	190001	190007	190013	190019
2	250	190002	190008	190014	190020
3	370	190003	190009	190015	190021
4	490	190004	190010	190016	190022
5	610	190005	190011	190017	190023
6	730	190006	190012	190018	190024

BEVEL chains K750 pitch 195 mm					
Tracks	Total width A mm	Radius R1 = 610	Radius R1 = 650	Radius R1 = 800	Radius R1 = 1000
1	200	190025	190029	190033	190037
2	395	190026	190030	190034	190038
3	590	190027	190031	190035	190039
4	785	190028	190032	190036	190040

BEVEL chains 1000 pitch 260 mm					
Tracks	Total width A mm	Radius R1 = 610	Radius R1 = 650	Radius R1 = 800	Radius R1 = 1000
1	270	190041	190045	190049	190053
2	530	190042	190046	190050	190054
3	790	190043	190047	190051	190055
4	1050	190044	190048	190052	190056

**NOW AVAILABLE IN
"NOLU-S"
MATERIAL !**

For further
information
see page 198

• More tracks available on request.

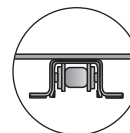
Material: UHMW- PE, colour: black.

Material: Nolu-S, colour: light grey.

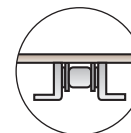
Supply: corner tracks are supplied complete with carry and return plates.



For chains,
type see page:
[24-59-64](#)
[66-71-72](#)

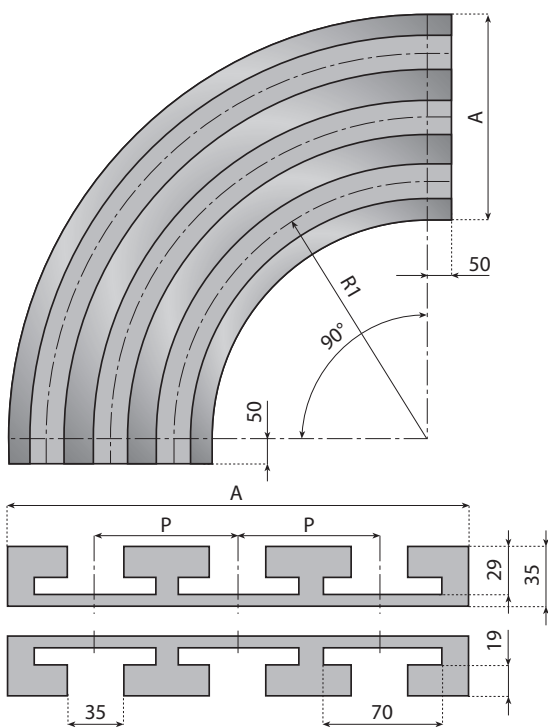


For steel chains, type:
1874



For plastic chains, type:
1863 • 1873

FOR CORNER TRACKS IN NOLU-S MATERIAL,
JUST ADD "NS" TO PART NUMBER. EXAMPLE CODE "190060NS"



Chains K225 pitch 70 mm						
Tracks	Total width A mm	Radius R1 = 380	Radius R1 = 500	Radius R1 = 610	Radius R1 = 800	Radius R1 = 1000
1	75	190060	190064	190068	190072	190076
2	145	190061	190065	190069	190073	190077
3	215	190062	190066	190070	190074	190078
4	285	190063	190067	190071	190075	190079

Chains K325 pitch 85 mm						
Tracks	Total width A mm	Radius R1 = 380	Radius R1 = 500	Radius R1 = 610	Radius R1 = 800	Radius R1 = 1000
1	100	190080	19217	19221	19225	19229
2	185	190081	19218	19222	19226	19230
3	270	190082	19219	19223	19227	19231
4	355	190083	19220	19224	19228	19232

Chains K325 pitch 90 mm						
Tracks	Total width A mm	Radius R1 = 500	Radius R1 = 610	Radius R1 = 650	Radius R1 = 800	Radius R1 = 1000
1	100	19217	19221	190092	19225	19229
2	190	190085	190089	190093	190097	190101
3	280	190086	190090	190094	190098	190102
4	370	190087	190091	190095	190099	190103

Chains K450 pitch 120 mm						
Tracks	Total width A mm	Radius R1 = 380	Radius R1 = 500	Radius R1 = 610	Radius R1 = 800	Radius R1 = 1000
1	130	190104	19233	19235	19237	19239
2	250	190105	19234	19236	19238	19240
3	370	190106	190108	190110	190112	190114
4	490	190107	190109	190111	190113	190115

Chains K600 pitch 160 mm						
Tracks	Total width A mm	Radius R1 = 500	Radius R1 = 610	Radius R1 = 650	Radius R1 = 800	Radius R1 = 1000
1	170	19241	19243	190116	19245	19247
2	330	19242	19244	190117	19246	19248
3	490	190118	190120	190122	190124	190126
4	650	190119	190121	190123	190125	190127

Chains K750 pitch 195 mm						
Tracks	Total width A mm	Radius R1 = 500	Radius R1 = 610	Radius R1 = 650	Radius R1 = 800	Radius R1 = 1000
1	200	19249	19251	190128	19253	19255
2	395	19250	19252	190129	19254	19256
3	590	190130	190132	190134	190136	190138
4	785	190131	190133	190135	190137	190139

Chains K1000 pitch 260 mm						
Tracks	Total width A mm	Radius R1 = 500	Radius R1 = 610	Radius R1 = 650	Radius R1 = 800	Radius R1 = 1000
1	270	19257	19259	190140	19261	19263
2	530	19258	19260	190141	19262	19264

Chains K1200 pitch 310 mm						
Tracks	Total width A mm	Radius R1 = 610	Radius R1 = 650	Radius R1 = 750	Radius R1 = 800	Radius R1 = 1000
1	320	19267	19265	190142	19269	19271
2	630	19268	19266	190143	19270	19272

Now AVAILABLE IN
"NOLU-S"
MATERIAL !

For further
information
see page 198

• More tracks available on request.

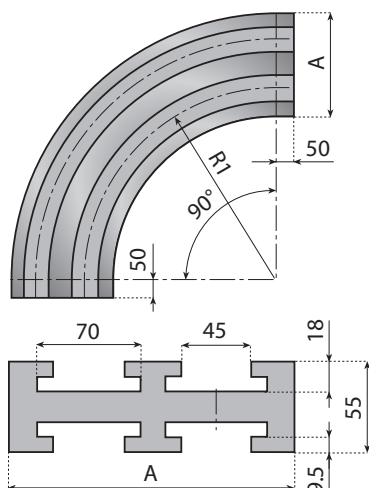
Material: UHMW- PE, colour: black.

Material: Nolu-S, colour: light grey.

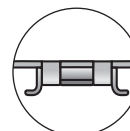
Supply: corner tracks are supplied complete with carry and return plates.

COMPACT CORNER TRACKS FOR TAB CHAINS

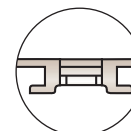
878 TAB - 879 TAB - 880 TAB - 881 TAB - 881O TAB - 2250 TAB - 2251 TAB FT



For chains,
type see page:
[21-29-38-40](#)
[49-56-62](#)
[181-182](#)



For steel chains, type:
881 TAB
881O TAB



For plastic chains, type:
878 TAB - 879 TAB
880 TAB
2250 TAB - 2251 TAB

For further
information
see page 198

Now AVAILABLE IN
"NOLU-S"
MATERIAL !

Material: UHMW- PE, colour: black.

Material: Nolu-S, colour: light grey.

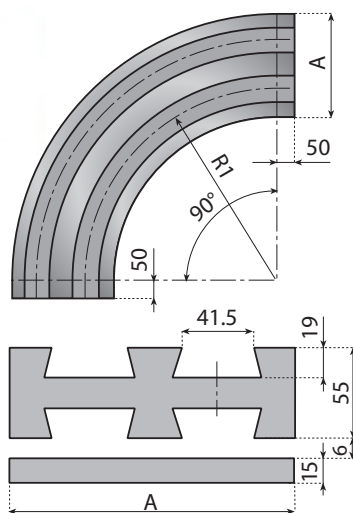
Supply: 1 piece.

FOR CORNER TRACKS IN NOLU-S MATERIAL,
JUST ADD "NS" TO PART NUMBER. EXAMPLE CODE "19106NS"

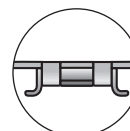
Chain ref.	Tracks	Code	A	Radius R1	Pitch
K325	1	19106	100	500	90
	2	19107	190		
K450	1	19108	130	610	120
	2	19109	250		

COMPACT CORNER TRACKS FOR BEVEL CHAINS

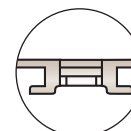
879 - 880 - 881 - 881O - 881VG



For chains,
type see page:
[20-29-36-37](#)



For steel chains,
type:
881 - 881O



For plastic chains,
type:
879 - 880

For further
information
see page 198

Now AVAILABLE IN
"NOLU-S"
MATERIAL !

Material: UHMW- PE, colour: black.

Material: Nolu-S, colour: light grey.

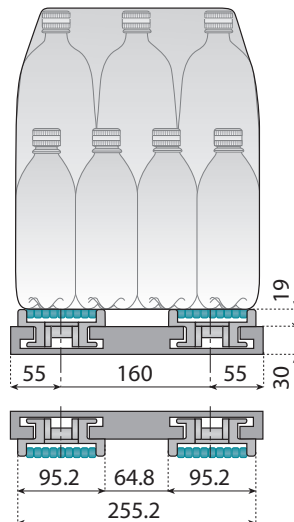
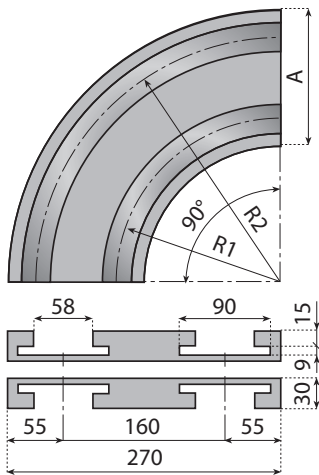
Supply: 2 piece.

FOR CORNER TRACKS IN NOLU-S MATERIAL,
JUST ADD "NS" TO PART NUMBER. EXAMPLE CODE "19106BNS"

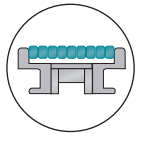
Chain ref.	Tracks	Code	A	Radius R1	Pitch
K325	1	19106B	100	500	90
	2	19107B	190		
K450	1	19108B	130	610	120
	2	19109B	250		

LBP 882 K375

CORNER TRACKS FOR CHAINS



Now available in
"NOLU-S"
 MATERIAL !



For further information see page 198

For chains, type see page: 50

For plastic chains, type: LBP 882 K375

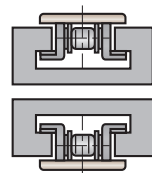
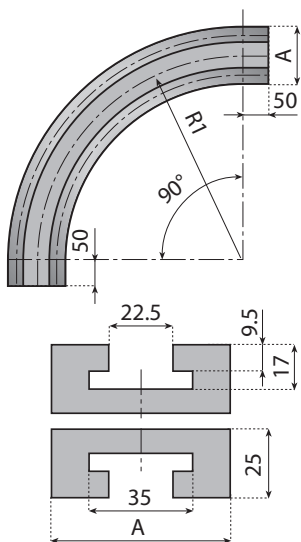
Material: UHMW- PE, colour: black.
Material: Nolu-S, colour: light grey.
Supply: corner tracks are supplied complete with carry and return plates.

FOR CORNER TRACKS IN NOLU-S MATERIAL, JUST ADD "NS" TO PART NUMBER. EXAMPLE CODE "19101NS"

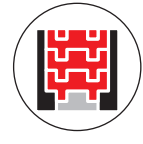
For Chains width	Code	A	Tracks	R1	R2
K375	19101	270	2	700	860

1843

CORNER TRACKS FOR CHAINS



Now available in
"NOLU-S"
 MATERIAL !



For further information see page 198

For chains, type see page: 71

For plastic chains, type: 1843

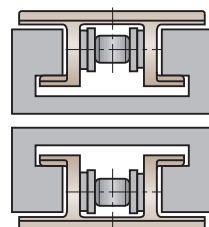
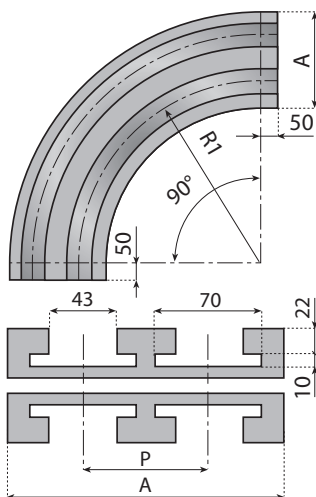
Material: UHMW- PE, colour: black.
Material: Nolu-S, colour: light grey.
Supply: corner tracks are supplied complete with carry and return plates.

FOR CORNER TRACKS IN NOLU-S MATERIAL, JUST ADD "NS" TO PART NUMBER. EXAMPLE CODE "19396NS"

For Chains width	Code	A	Radius R1
K125	19396	50	300
	19397		500
K200	19396L	70	300
	19397L		500

1883

CORNER TRACKS FOR CHAINS



Now available in
"NOLU-S"
 MATERIAL !



For further information see page 198

For chains, type see page: 73

For plastic chains, type: 1883

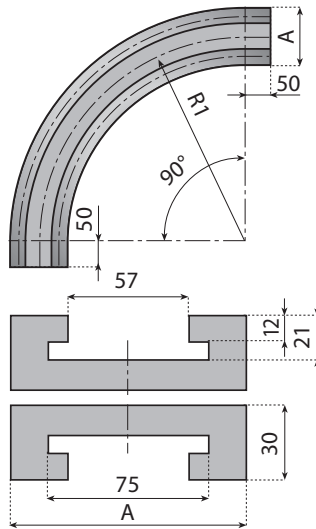
Material: UHMW- PE, colour: black.
Material: Nolu-S, colour: light grey.
Supply: corner tracks are supplied complete with carry and return plates.

FOR CORNER TRACKS IN NOLU-S MATERIAL, JUST ADD "NS" TO PART NUMBER. EXAMPLE CODE "19110NS"

Chains ref.	Code	A	Radius R1	Pitch
K325	19110	100	750	90
	19111	190		

FOR MULTIFLEX CHAINS

1701 TAB - 1701 TAB OP - 7000 TAB - 7001 TAB - 7005 TAB



Material: UHMW-PE, colour: black.

Material: Nolu-S, colour: light grey.

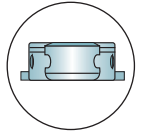
Supply: corner tracks are supplied complete with carry and return plates.

Now AVAILABLE IN
"NOLU-S"
MATERIAL !

For further
information
see page 198



For chains,
type see page:
77 - 78
81 - 82



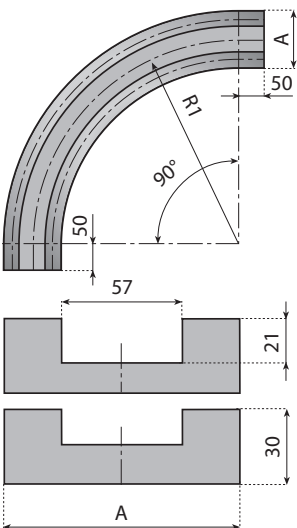
For plastic chains,
type:
1701 TAB - 1701 TAB OP
7000 TAB - 7001 TAB
7005 TAB

FOR CORNER TRACKS IN NOLU-S MATERIAL,
JUST ADD "NS" TO PART NUMBER. EXAMPLE CODE "19390NS"

Chains ref.	Code	A	Radius R1
K55	19390	100	250
	19391		500

FOR MULTIFLEX CHAINS

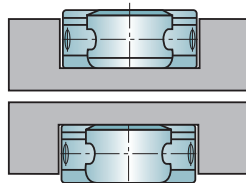
1700 - 1702 (M) - HMGK (FN-MS-P-M) 7000 - 7001 - 7005



Material: UHMW-PE, colour: black.

Material: Nolu-S, colour: light grey.

Supply: corner tracks are supplied complete with carry and return plates.

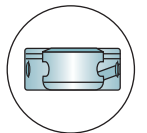


Now AVAILABLE IN
"NOLU-S"
MATERIAL !

For further
information
see page 198



For chains,
type see page:
76 - 77 - 78
81 - 82



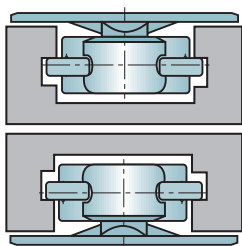
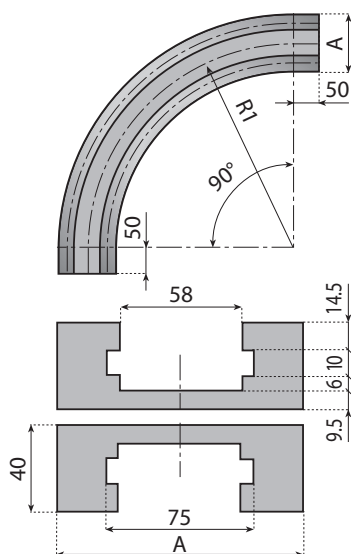
For plastic chains,
type:
1700 - 1702(M)
HMGK (FN-MS-P-M)
7000 - 7001 - 7005

FOR CORNER TRACKS IN NOLU-S MATERIAL,
JUST ADD "NS" TO PART NUMBER. EXAMPLE CODE "19113NS"

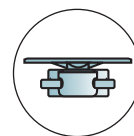
Chains ref.	Code	A	Radius R1
K55	19113	100	250
	19114		500

CORNER TRACKS FOR CRESCENT MULTIFLEX CHAINS

HMGK 50 TAB H1 - HMGK 50 TAB H2



For chains,
type see page:
80



For plastic chains,
type:
HMGK 50 TAB H1
HMGK 50 TAB H2

For further
information
see page 198

Now AVAILABLE IN
"NOLU-S"
MATERIAL !

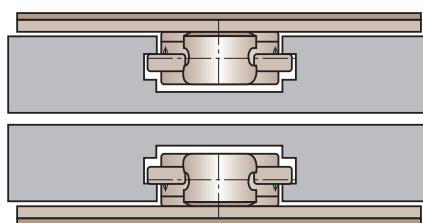
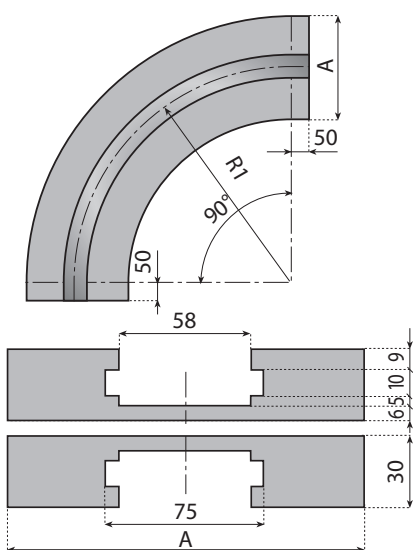
Material: UHMW- PE, colour: black.
Material: Nolu-S, colour: light grey.
Supply: corner tracks are supplied complete with carry and return plates.

FOR CORNER TRACKS IN NOLU-S MATERIAL,
JUST ADD "NS" TO PART NUMBER. EXAMPLE CODE "19115NS"

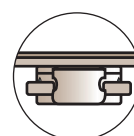
For Chains width	Code	A	Radius R1
HMGK 50 TAB H1	19115	110	250
HMGK 50 TAB H2	19116	200	500

FOR OVERLAPPING TOP PLATE MULTIFLEX CHAIN

HMGK 50 TAB P1 - HMGK 50 TAB P2



For chains,
type see page:
79



For plastic chains, type:
HMGK 50 TAB P1
HMGK 50 TAB P2

For further
information
see page 198

Now AVAILABLE IN
"NOLU-S"
MATERIAL !

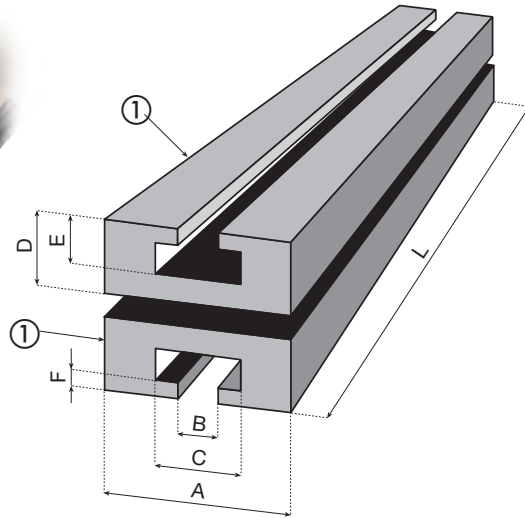
Material: UHMW- PE, colour: black.
Material: Nolu-S, colour: light grey.
Supply: corner tracks are supplied complete with carry and return plates.

FOR CORNER TRACKS IN NOLU-S MATERIAL,
JUST ADD "NS" TO PART NUMBER. EXAMPLE CODE "19117NS"

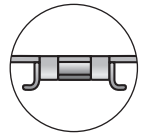
For Chains width	Code	A	Radius R1
HMGK 50 TAB P1	19117	200	550
HMGK 50 TAB P2	19118	270	

STRAIGHT TRACK SECTION FOR TAB CHAINS

815 TAB VG - 878 TAB - 879 TAB - 880 TAB - 881 TAB - 8810 TAB - 2250 TAB - 2251 TAB



For chains,
type see page:
[21 - 27 - 29 - 38](#)
[40 - 49 - 56 - 62](#)
[181 - 182](#)



For steel chains,
type:
815 TAB
881 TAB • 8810 TAB

NOW AVAILABLE IN
"NOLU-S"
MATERIAL !

For further
information
see page 198



For plastic chains,
type:
878 TAB • 879 TAB
880 TAB
2250 TAB • 2251 TAB

• More tracks available on request.

Material: UHMW- PE, colour: black.

Material: Nolu-S, colour: light grey.

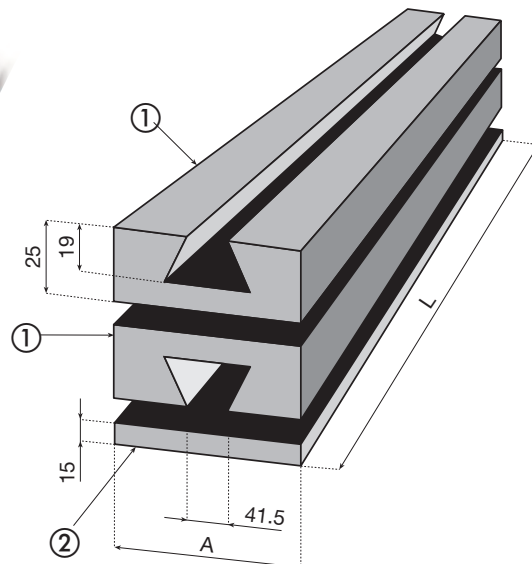
Supply: 1 piece; straight tracks can be used as carry or return track.

FOR STRAIGHT TRACKS IN NOLU-S MATERIAL, JUST ADD "NS" TO PART NUMBER. EXAMPLE CODE "19350NS"

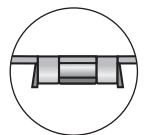
① STRAIGHT TRACK SECTION - 1 PIECE								
Chains ref.	Code	A	B	C	D	E	F	L
K325	19350	100	45	67	25	18	9.5	2000
K450	19351	130						
K750	19352	200						

STRAIGHT TRACK SECTION FOR BEVEL CHAINS

879 - 880 - 881 - 8810



For chains,
type see page:
[20 - 29 - 36 - 37](#)



For steel chains,
type:
881 • 8810

NOW AVAILABLE IN
"NOLU-S"
MATERIAL !

For further
information
see page 198



For plastic chains,
type:
879 • 880

• More tracks available on request.

Material: UHMW- PE, colour: black.

Material: Nolu-S, colour: light grey.

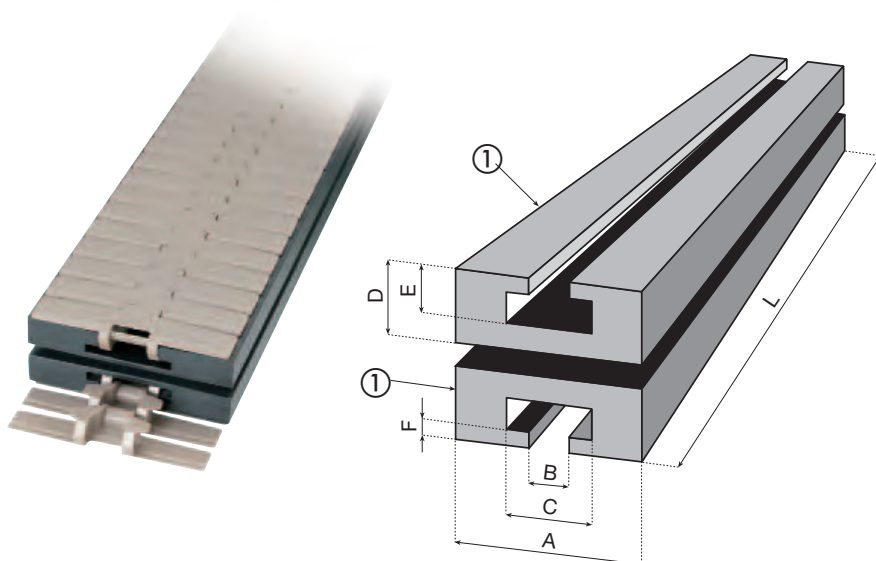
Supply: 1 piece; straight tracks can be used as carry or return track.
Support plate to be ordered separately.

FOR STRAIGHT TRACKS IN NOLU-S MATERIAL, JUST ADD "NS" TO PART NUMBER. EXAMPLE CODE "19370NS"

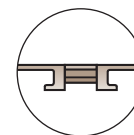
① CARRY/RETURN TRACK SECTION - 1 PIECE				② RETURN PLATE - 1 PIECE			
Chains ref.	Code	A	L	Chains ref.	Code	A	L
K325	19370	100	2000	K325	19371	100	2000
K450	19372	130		K450	19373	130	
K750	19374	200		K750	19375	200	

STRAIGHT TRACK SECTION FOR TAB CHAINS SERIES

882 TAB - LBP 882 TAB - 882 TAB VG



For chains,
type see page:
42 - 50 - 51 - 57



For steel chains,
type:
882 TAB

For further
information
see page 198

Now available in
"NOLU-S"
MATERIAL !

FOR STRAIGHT TRACKS IN NOLU-S MATERIAL, JUST ADD "NS" TO PART NUMBER. EXAMPLE CODE "19359NS"

• More tracks available on request.

Material: UHMW- PE, colour: black.

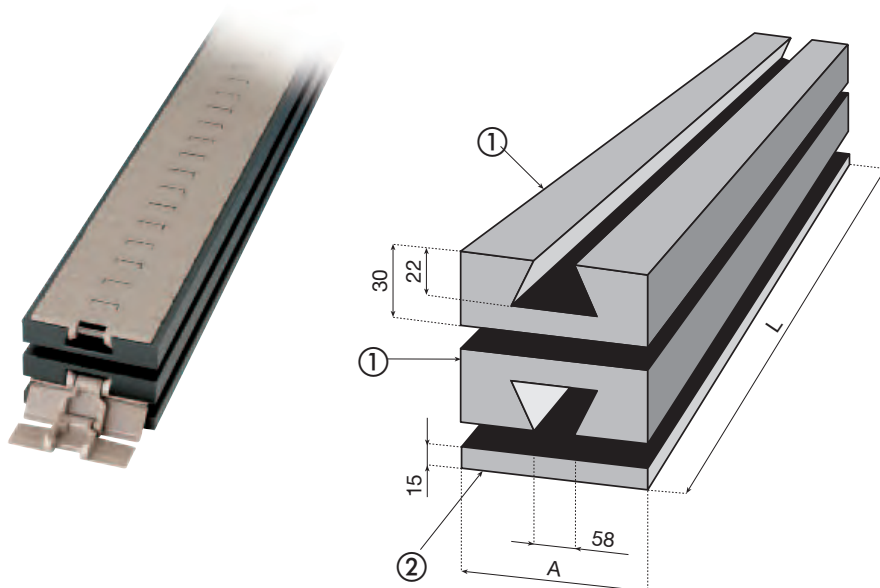
Material: Nolu-S, colour: light grey.

Supply: 1 piece; straight tracks can be used as carry or return track.

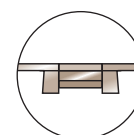
① STRAIGHT TRACK SECTION - 1 PIECE								
Chains ref.	Code	A	B	C	D	E	F	L
K375	19359	110	60	84	30	24	15	2000
K450	19360	130						
K750	19361	200						
K1000	19362	270						
K1200	19363	320						

STRAIGHT TRACK SECTION FOR BEVEL CHAINS

882 BEVEL



For chains,
type see page:
41



For steel chains,
type:
882 BEVEL

For further
information
see page 198

Now available in
"NOLU-S"
MATERIAL !

• More tracks available on request.

Material: UHMW- PE, colour: black.

Material: Nolu-S, colour: light grey.

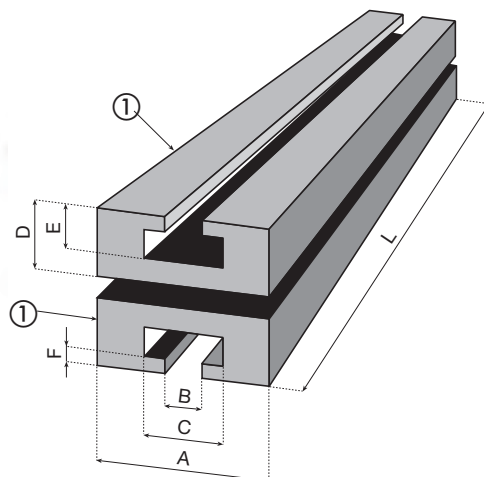
Supply: 1 piece; straight tracks can be used as carry or return track.

Support plate to be ordered separately.

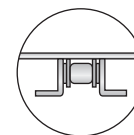
FOR STRAIGHT TRACKS IN NOLU-S MATERIAL, JUST ADD "NS" TO PART NUMBER. EXAMPLE CODE "19353NS"

① CARRY/RETURN TRACK SECTION - 1 PIECE				② RETURN PLATE - 1 PIECE			
Chains ref.	Code	A	L	Chains ref.	Code	A	L
K450	19353	130	2000	K450	19373	130	2000
K750	19354	200		K750	19375	200	
K1000	19355	270		K1000	19358	270	

STRAIGHT TRACK SECTION FOR CHAINS SERIES 1863 - 1873 - 1874



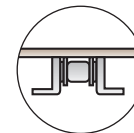
For chains,
type see page:
[24 - 59 - 66](#)
[71 - 72](#)



For steel chains,
type:
1874

**NOW AVAILABLE IN
"NOLU-S"
MATERIAL !**

For further
information
see page 198



For plastic chains,
type:
1863 • 1873

FOR STRAIGHT TRACKS IN NOLU-S MATERIAL, JUST ADD "NS" TO PART NUMBER. EXAMPLE CODE "19406NS"

① Straight Track section - 1 piece								
Chains ref.	Code	A	B	C	D	E	F	L
K225	19406	75	35	67	35	29	19	2000
K325	19400	100		70				
K450	19401	130						
K600	19402	170						
K750	19403	200						
K1000	19404	270						
K1200	19405	320						

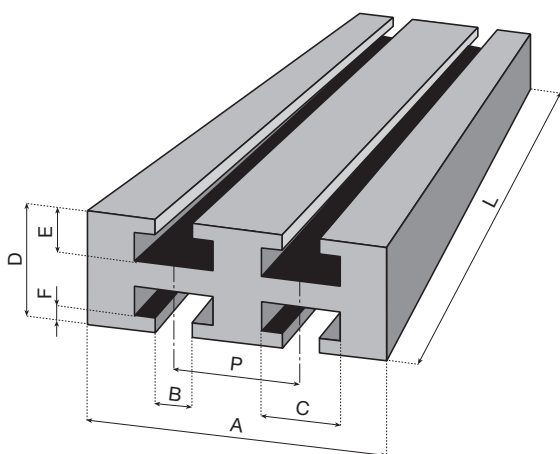
• More tracks available on request.

Material: UHMW- PE, colour: black.

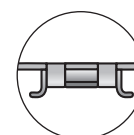
Material: Nolu-S, colour: light grey.

Supply: 1 piece; straight tracks can be used as carry or return track.

COMPACT STRAIGHT TRACK SECTION FOR TAB CHAINS SERIES 815 TAB - 878 TAB - 879 TAB - 880 TAB - 881 TAB - 8810 TAB - 2250 TAB - 2251 TAB



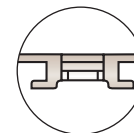
For chains,
type see page:
[21 - 29 - 38 - 40](#)
[49 - 56 - 62](#)
[181 - 182](#)



For steel chains,
type:
881 TAB
8810 TAB

**NOW AVAILABLE IN
"NOLU-S"
MATERIAL !**

For further
information
see page 198



For plastic chains,
type:
878 TAB • 879 TAB
880 TAB
2250 TAB • 2251 TAB

FOR STRAIGHT TRACKS IN NOLU-S MATERIAL, JUST ADD "NS" TO PART NUMBER. EXAMPLE CODE "19424NS"

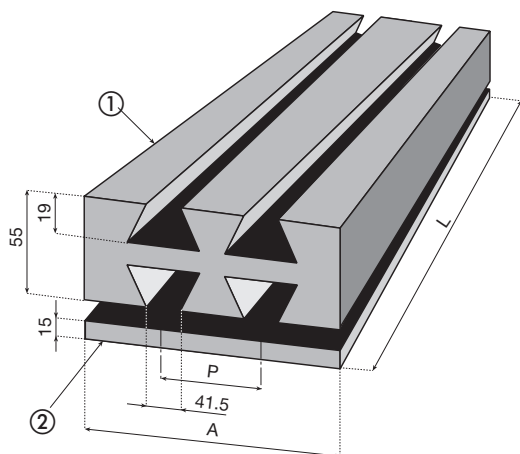
Chains ref.	Code	TRACK	A	B	C	D	E	F	P	L
K325	19424	1	100	45	67	55	18	9.5	90	2000
	19425		190							
K450	19426	2	130							
	19427		250						120	

Material: UHMW- PE, colour: black.

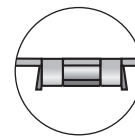
Material: Nolu-S, colour: light grey.

Supply: 1 piece.

COMPACT STRAIGHT TRACK SECTION FOR CHAINS SERIES 879 - 880 - 881 - 8810



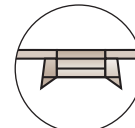
For chains,
type see page:
20 - 29 - 36 - 37 - 57



For steel chains,
type:
881 • 8810

**NOW AVAILABLE IN
"NOLU-S"
MATERIAL !**

For further
information
see page 198



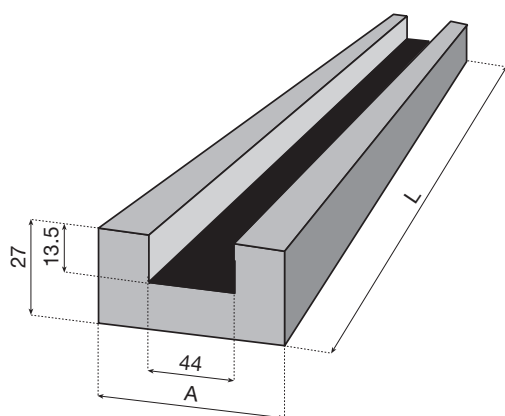
For plastic
chains, type:
879 • 880

FOR STRAIGHT TRACKS IN **NOLU-S** MATERIAL, JUST ADD "NS" TO PART NUMBER. EXAMPLE CODE "19428NS"

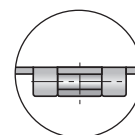
Material: UHMW- PE, colour: black.
Material: Nolu-S, colour: light grey.
Supply: 1 piece; carry return sections and return plates are supplied separately.

① CARRY/RETURN - 1 PIECE					② RETURN PLATE - 1 PIECE				
Chains ref.	Code	A	P	L	Chains ref.	Code	A	P	L
K325	19428	100	90	2000	K325	19371	100	90	2000
	19429	190				19433	190		
K450	19430	130	120		K450	19373	130	120	
	19431	250				19435	250		

STRAIGHT TRACK SECTION FOR MAGNETIC CHAINS SERIES 879 M - 879 M VG - 880 M - 881 M - 881MO



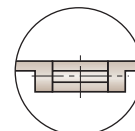
For chains,
type see page:
22 - 23 - 30
39 - 49 - 57



For steel chains,
type:
881M

**NOW AVAILABLE IN
"NOLU-S"
MATERIAL !**

For further
information
see page 198



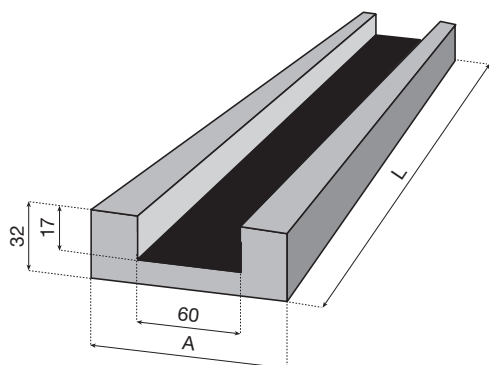
For plastic
chains, type:
879 M • 880 M

FOR STRAIGHT TRACKS IN **NOLU-S** MATERIAL, JUST ADD "NS" TO PART NUMBER. EXAMPLE CODE "19436NS"

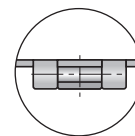
Material: UHMW- PE, colour: black.
Material: Nolu-S, colour: light grey.
Supply: 1 piece.

For Chains width	Code	A	L
K325	19436	100	2000
	19437	111	
K450	19438	129	
K750	19439	214	

STRAIGHT TRACK SECTION FOR MAGNETIC CHAINS SERIES 8857 M - 8857 M VG - 882 M - LBP 882 M - 882 M VG



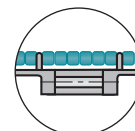
For chains,
type see page:
[23 - 30 - 43 - 52 - 58](#)



For steel chains,
type:
8857 M

**NOW AVAILABLE IN
"NOLU-S"
MATERIAL !**

For further
information
see [page 198](#)



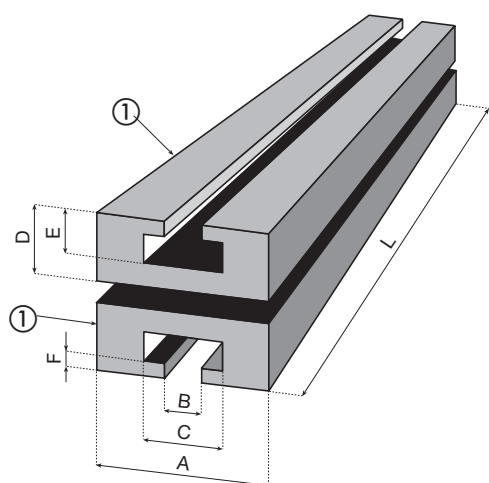
For plastic
chains, type:
882 M

Material: UHMW- PE, colour: black.
Material: Nolu-S, colour: light grey.
Supply: 1 piece.

FOR STRAIGHT TRACKS IN NOLU-S MATERIAL, JUST ADD "NS" TO PART NUMBER. EXAMPLE CODE "19440NS"

Chains ref.	Code	A	L
K750	19440	200	2000
K1000	19441	270	
K1200	19442	320	

STRAIGHT TRACK SECTION FOR TAB CHAINS SERIES 1843



For chains,
type see page:
[71](#)



For plastic
chains, type:
1843

**NOW AVAILABLE IN
"NOLU-S"
MATERIAL !**

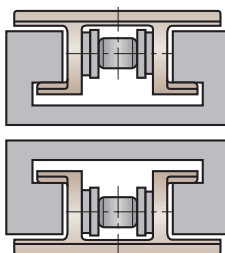
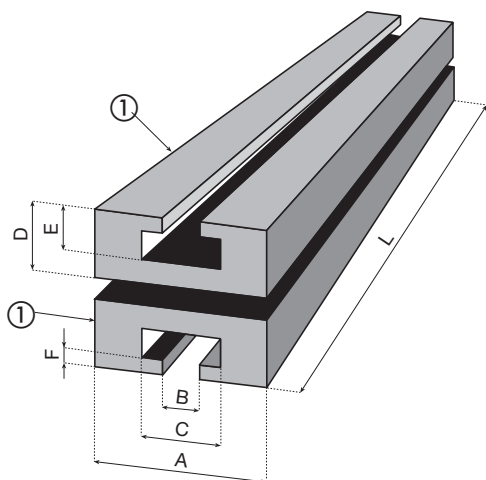
For further
information
see [page 198](#)

Material: UHMW- PE, colour: black.
Material: Nolu-S, colour: light grey.
Supply: 1 piece; straight tracks can be used
as carry or return track.

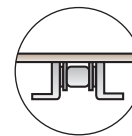
FOR STRAIGHT TRACKS IN NOLU-S MATERIAL, JUST ADD "NS" TO PART NUMBER. EXAMPLE CODE "19410NS"

① STRAIGHT TRACK SECTION - 1 PIECE								
Chains ref.	Code	A	B	C	D	E	F	L
K125	19410	50	22.5	35	25	17	9.5	2000
K200	19411	70	22.3					

STRAIGHT TRACK SECTION FOR CHAINS SERIES 1883



For chains,
type see page:
73



For plastic chains,
type:
1883

NOW AVAILABLE IN
"NOLU-S"
MATERIAL !

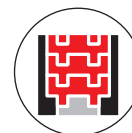
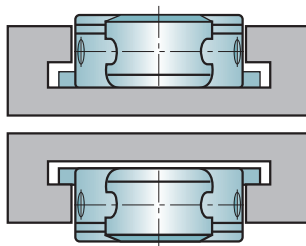
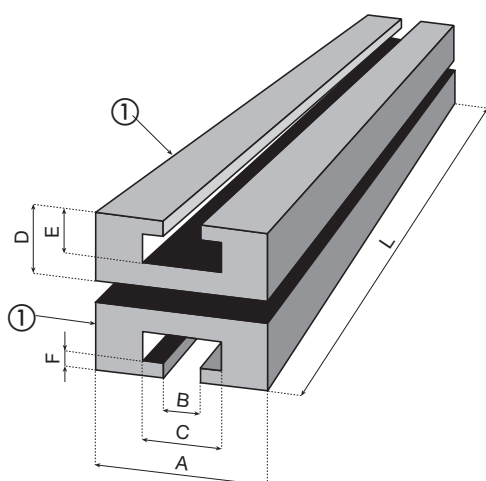
For further
information
see page 198

Material: UHMW- PE, colour: black.
Material: Nolu-S, colour: light grey.
Supply: 1 piece; straight tracks can be used as carry or return track.

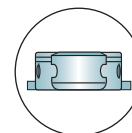
FOR STRAIGHT TRACKS IN NOLU-S MATERIAL, JUST ADD "NS" TO PART NUMBER. EXAMPLE CODE "19412NS"

① Straight Track section - 1 piece								
Chains ref.	Code	A	B	C	D	E	F	L
K325	19412	100	44	70	40	32	22	2000

STRAIGHT TRACK SECTION FOR CHAINS SERIES 1701 TAB - 1701 TAB OP - 7000 TAB - 7001 TAB - 7005 TAB



For chains,
type see page:
77 - 78 - 81 - 82



For steel chains,
type:
1701 TAB
1701 TAB OP
7000 TAB - 7001 TAB
7005 TAB

NOW AVAILABLE IN
"NOLU-S"
MATERIAL !

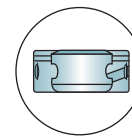
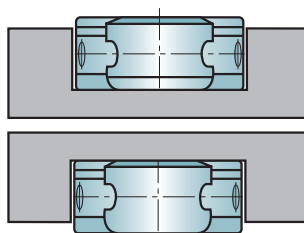
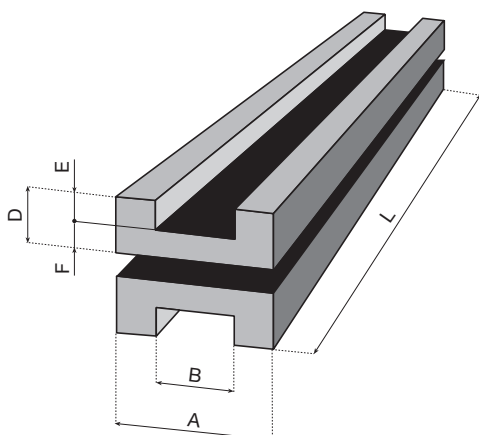
For further
information
see page 198

Material: UHMW- PE, colour: black.
Material: Nolu-S, colour: light grey.
Supply: 1 piece; straight tracks can be used as carry or return track.

FOR STRAIGHT TRACKS IN NOLU-S MATERIAL, JUST ADD "NS" TO PART NUMBER. EXAMPLE CODE "19386NS"

① Straight Track section - 1 piece								
Chains ref.	Code	A	B	C	D	E	F	L
K55	19386	100	58	75	30	21	12	2000

STRAIGHT TRACK SECTION FOR CHAINS SERIES 1700 - 1702 (M) - HMGK 50 (FN-MS-P-M) - 7000 - 7001 - 7005



For chains,
type see page:
[76 - 77 - 81 - 82](#)

For steel chains, type:
1700 • 1702 (M)
HMGK 50 (FN-MS-P-M)
7000 • 7001 • 7005

NOW AVAILABLE IN
"NOLU-S"
MATERIAL !

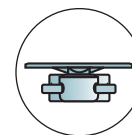
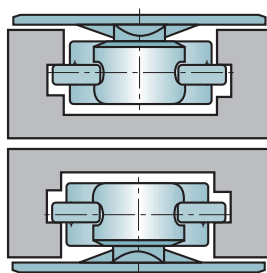
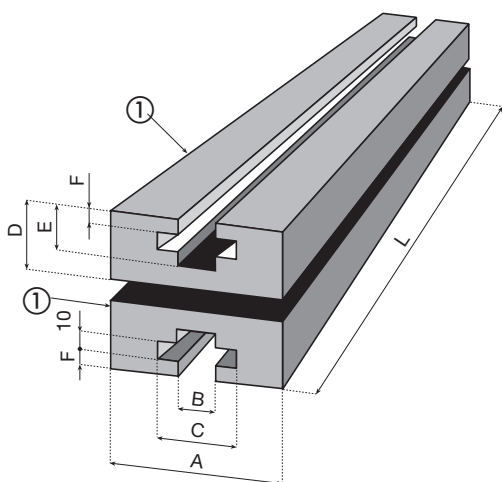
[For further information see page 198](#)

Material: UHMW- PE, colour: black.
Material: Nolu-S, colour: light grey.
Supply: 1 piece; straight tracks can be used as carry or return track.

FOR STRAIGHT TRACKS IN NOLU-S MATERIAL, JUST ADD "NS" TO PART NUMBER. EXAMPLE CODE "19412NS"

① STRAIGHT TRACK SECTION - 1 PIECE							
Chains ref.	Code	A	B	D	E	F	L
K55	19381	100	58	30	21	9	2000

STRAIGHT TRACK SECTION FOR CHAINS SERIES HMGK 50 TAB H1 - HMGK 50 TAB H2



For chains,
type see page:
80

For steel chains, type:
HMGK 50 TAB H1
HMGK 50 TAB H2

NOW AVAILABLE IN
"NOLU-S"
MATERIAL !

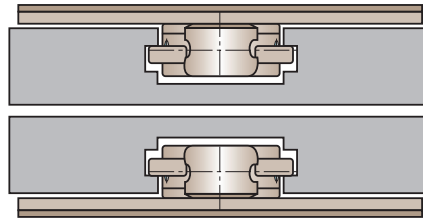
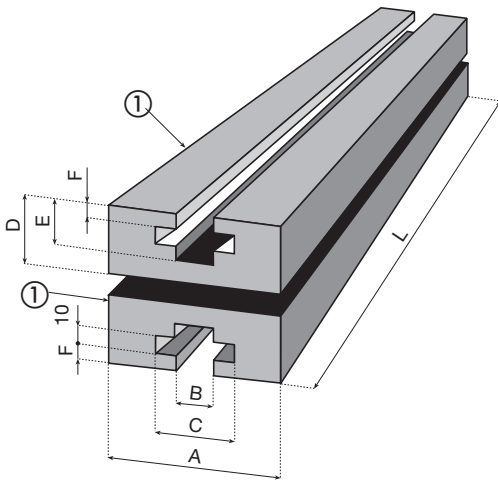
[For further information see page 198](#)

Material: UHMW- PE, colour: black.
Material: Nolu-S, colour: light grey.
Supply: 1 piece; straight tracks can be used as carry or return track.

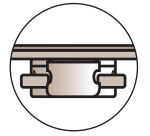
FOR STRAIGHT TRACKS IN NOLU-S MATERIAL, JUST ADD "NS" TO PART NUMBER. EXAMPLE CODE "19420NS"

① STRAIGHT TRACK SECTION - 1 PIECE								
Chains ref.	Code	A	B	C	D	E	F	L
HMGK 50 TAB H1	19420	110	58	75	40	30.5	14.5	2000
HMGK 50 TAB H2	19421	200						

STRAIGHT TRACK SECTION FOR OVERLAPPING TOP PLATE MULTIFLEX CHAINS SERIES HMGK 50 TAB P1 - HMGK 50 TAB P2



For chains,
type see page:
[79](#)



For steel chains,
type:
HMGK 50 TAB P1
HMGK 50 TAB P2

Now AVAILABLE IN
"NOLU-S"
MATERIAL !

For further
information
see page 198

Material: UHMW-PE, colour: black.
Material: Nolu-S, colour: light grey.
Supply: 1 piece; straight tracks can be used
as carry or return track.

FOR STRAIGHT TRACKS IN NOLU-S MATERIAL, JUST ADD "NS" TO PART NUMBER. EXAMPLE CODE "19422NS"

① STRAIGHT TRACK SECTION - 1 PIECE								
Chains ref.	Code	A	B	C	D	E	F	L
HMGK 50 TAB P1	19422	200	58	75	30	24	9	2000
HMGK 50 TAB P2	19423	270						

SPROCKETS AND IDLER WHEELS

STEEL CHAINS:

<i>Series</i>	<i>Pages</i>
<u>812/815 - 815VG - 881M</u>	<u>274 → 278</u>
<u>815 MINI - SK38</u>	<u>278 → 280</u>
<u>800 - 802 - 805</u>	<u>281 → 284</u>
<u>8157 - 8857M</u>	
<u>8157 TAB VG - 8857 TAB</u>	<u>285 → 287</u>
<u>515</u>	<u>288</u>
<u>881 - 881O - 881 TAB</u>	
<u>881O TAB - 815 TAB VG</u>	<u>289 → 292</u>

PLASTIC CHAINS:

<i>Series</i>	<i>Pages</i>
<u>820 - 831 - LBP 831</u>	<u>293 → 296</u>
<u>821 - 821 VG - LBP 821</u>	<u>297 → 299</u>
<u>828 - 878 - 878TAB - 879 - 879 TAB</u>	
<u>879 M - 880 - 880 M - 880 TAB - 880M</u>	<u>300 → 302</u>
<u>882 BEVEL - 882 TAB</u>	
<u>882M - 8257</u>	<u>303 → 305</u>

MULTIFLEX CHAINS

<u>CC600 - CC631 - CC1400 V - CC1400 V TAB</u>	
<u>CC1400 - CC1400 TAB - CC1431 TAB</u>	<u>306 → 307</u>
<u>843 - 1843 - 845 - 863 - 1863</u>	
<u>1873 - 1874 - 1883</u>	<u>308</u>

ALL OUR SPROCKETS AND IDLERS OFFERS:

- **EXCELLENT WEAR AND CHEMICAL RESISTANCE**
- **STRONG DESIGN: SPROCKETS WITH HIGH KEYWAY STRENGTH**
- **OPTIMUM SHAPE OF TEETH**

SPROCKETS and IDLER WHEELS

812/815 - 815 VG - 881 M - 881 MO - 8157 TAB VG - 8857 TAB

Features:

- Completely closed structure, easier to clean and to disinfect.
- Split versions: quick and easy replacement.

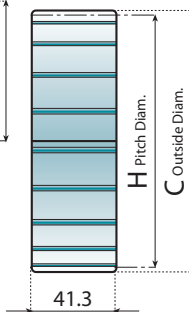
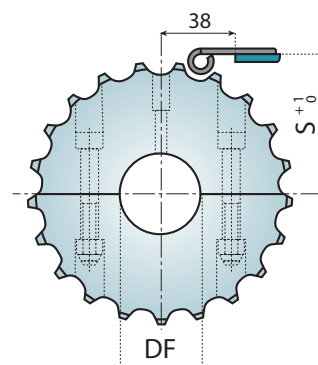
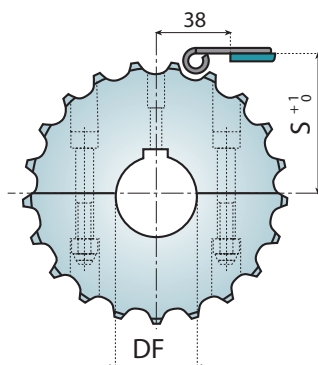
• Sprockets and idler wheels made of Steel on request.



Pages
16 - 17 - 22
23 - 24 - 26 - 28



Page
340

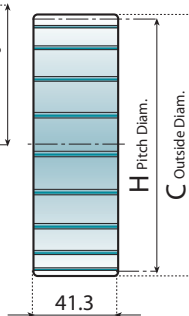
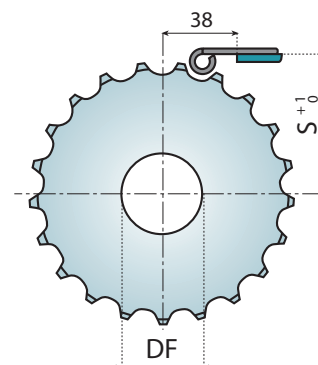
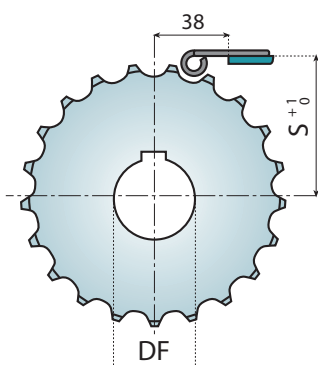


SPLIT SPROCKETS - Fixed					
Z	C mm	H mm	S mm	Ø 25	Ø 30
17	103.90	105.47	55.90	12525	12526
19	117.00	117.34	61.90	12529	12530
21	129.00	129.26	67.80	12540	12541
23	142.00	141.21	73.80	12544	12545
25	154.00	153.21	79.80	12548	12549
27	166.80	165.20	85.80	121200	121201
29	178.50	177.24	91.80	121205	121206

SPLIT IDLER WHEELS - Floating					
Z	C mm	H mm	S mm	Ø 18*	Ø 25
17	103.90	105.47	55.90	12904	121235
19	117.00	117.34	61.90	12905	121239
21	129.00	129.26	67.80	12906	121243
23	142.00	141.21	73.80	12907	121247
25	154.00	153.21	79.80	12908	121251
27	166.80	165.20	85.80	121199	121255
29	178.50	177.24	91.80	121204	121259

Material: polyamide, screws in stainless steel, nuts in zinc plated steel, DIN 6885 key seat.

Material: polyamide, screws in stainless steel, nuts in zinc plated steel.
*Plain Bore



ONE PIECE SPROCKETS - Tight				
Z	C mm	H mm	S mm	Ø 25
17	103.90	105.47	55.90	12552
19	117.00	117.34	61.90	12556
21	129.00	129.26	67.80	12560
23	142.00	141.21	73.80	12564
25	154.00	153.21	79.80	12568
27	166.80	165.20	85.80	121209
29	178.50	177.24	91.80	121213

ONE PIECE IDLER WHEELS - Floating				
Z	C mm	H mm	S mm	Ø 18*
17	103.90	105.47	55.90	12572G
19	117.00	117.34	61.90	12576G
21	129.00	129.26	67.80	12580G
23	142.00	141.21	73.80	12584G
25	154.00	153.21	79.80	12588G
27	166.80	165.20	85.80	121263G
29	178.50	177.24	91.80	121267G

Material: polyamide, DIN 6885 key seat.

Material: polyamide.
*Plain Bore

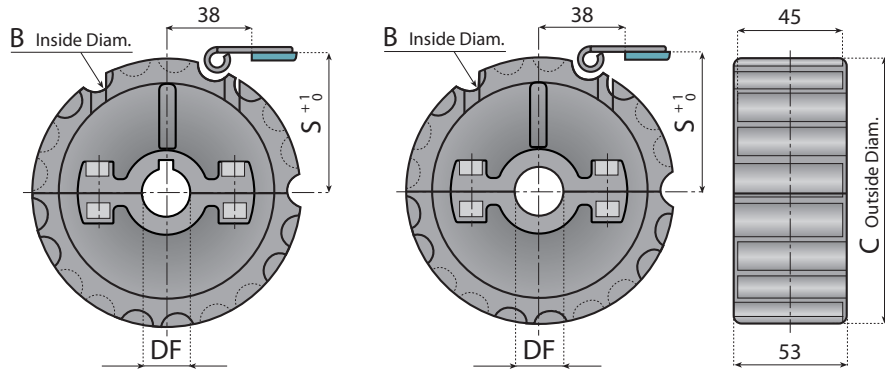
SPROCKETS AND IDLER WHEELS 812/815 - 815 VG - 881 M - 881 MO


Features:

- Split versions: quick and easy replacement.
- Sprockets and idler wheels made of Steel on request.


 Pages
16 - 17 - 23
22 - 26

 Page
340

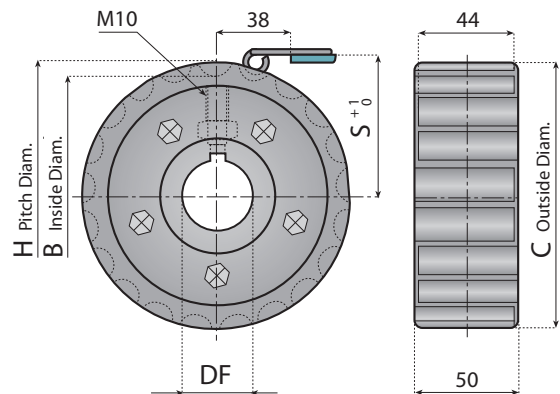


 SPLIT SPROCKETS - Fixed				
Ø 25	Ø 30	Ø 35	Ø 40	Ø 45
Part number				
12053N	12054N	12055N	12056N	12093N
12099N	12100N	12101N	12102N	-
12065N	12066N	12067N	12068N	12094N


Material: reinforced polyamide, screws in stainless steel, nuts in nickel plated brass, DIN 6885 key seat.

 SPLIT IDLER WHEELS - Floating				
Ø 25	Ø 30	Ø 35	Ø 40	Ø 45
Part number				
121080N	121081N	121082N	121083N	121084N
121085N	121086N	121087N	121088N	-
121090N	121091N	121092N	121093N	121094N

Material: polyamide, screws in stainless steel, nuts in nickel plated brass.



Z	B mm	C mm	H mm	S mm
19	104.20	117.00	117.34	61.90
21	116.10	129.00	129.26	67.80
23	128.10	142.00	141.21	73.80
25	140.10	154.00	153.20	79.80

 DRIVE SPROCKETS - Fixed			
Ø 25	Ø 30	Ø 35	Ø 40
Part number			
12001	12002	12003	12004
12005	12006	12007	12008
12009	12010	12011	12012
12013	12014	12015	12016

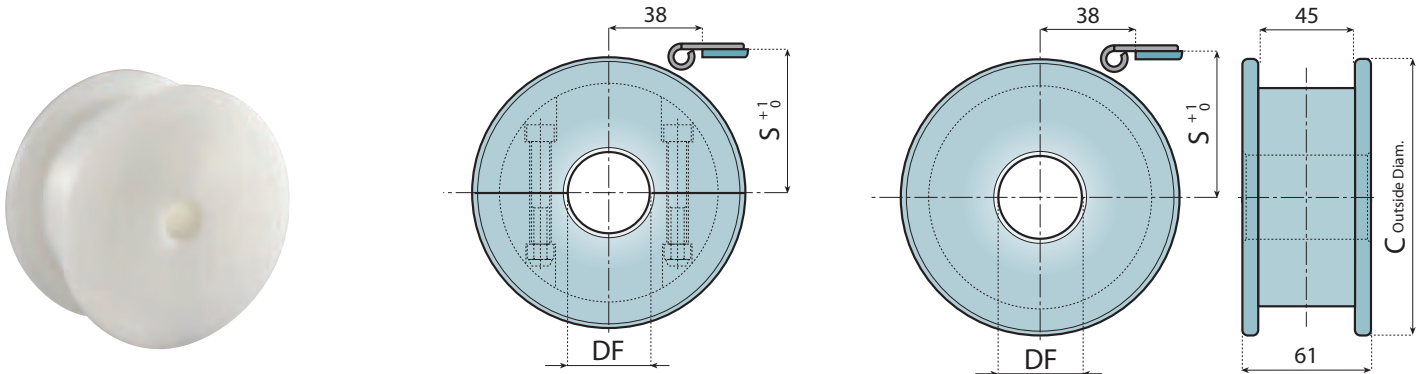
Material: reinforced polyamide, screws in stainless steel, DIN 6885 key seat.

Features:

- Completely closed structure, easier to clean and to disinfect.
- Recyclable.
- Quickly replaceable.

 Pages
16 - 17
22 - 26 - 28

 Page
340



 **SPLIT IDLER WHEELS - Floating**

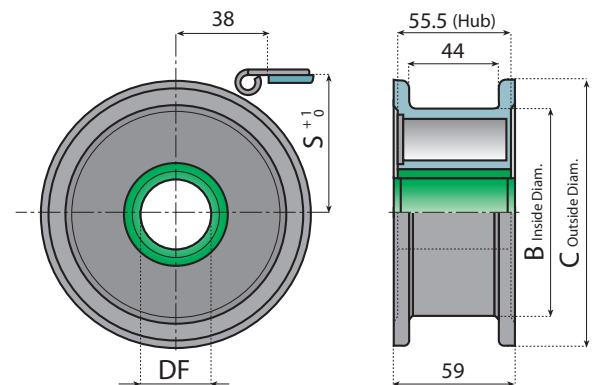
Z equiv.	C mm	S mm	Part number				
			Ø 20	Ø 25	Ø 30	Ø 35	Ø 40
17	104.00	56.20	12608	12609	12610	12611	12612
19	117.00	62.60	12613	12614	12615	12616	12618
21	129.80	68.60	12617	12619	12620	12621	12622
23	142.20	74.60	12623	12624	12625	12626	12627
25	154.70	80.50	12628	12629	12630	12631	12632
27	167.20	88.50	121357	121358	121359	121360	121361
29	179.30	92.80	121362	121363	121364	121365	121366

Material: polyamide, screws in stainless steel, nuts in zinc plated steel.

 **ONE PIECE IDLER WHEELS - Floating**

Part number				
Ø 20	Ø 25	Ø 30	Ø 35	Ø 40
12633	12634	12635	12636	12637
12638	12639	12640	12641	12642
12643	12644	12645	12646	12647
12648	12649	12650	12651	12652
12653	12654	12655	12656	12657
121367	121368	121369	121370	121371
121372	121373	121374	121375	121376

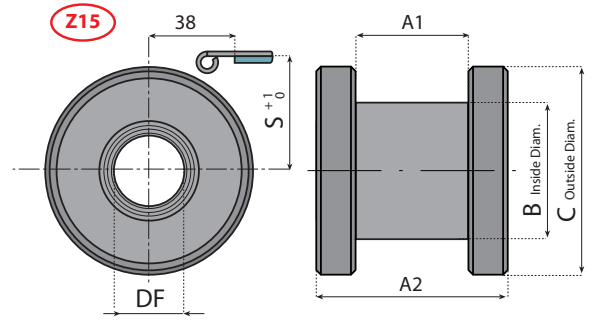
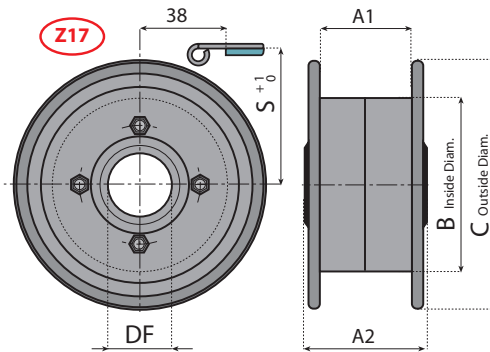
Material: polyamide.



Material: ultrasonic welded cover in reinforced polyamide. Bushing in Low Friction and low corrosion resin. Idler body in self-lubricating polyamide.
Colour: black and green.

 **IDLER WHEELS - Floating**

Z equiv.	B mm	C mm	S mm	Part number			
				Ø 25	Ø 30	Ø 35	Ø 40
21	103.5	129.5	68.6	12866	12867	12868	12869
23	103.5	143.0	74.6	12874	12875	12876	12877
25	122.0	154.5	80.5	12870	12871	12872	12873



Material: self-lubricating polyamide, screw in zinc plated steel (Z17).

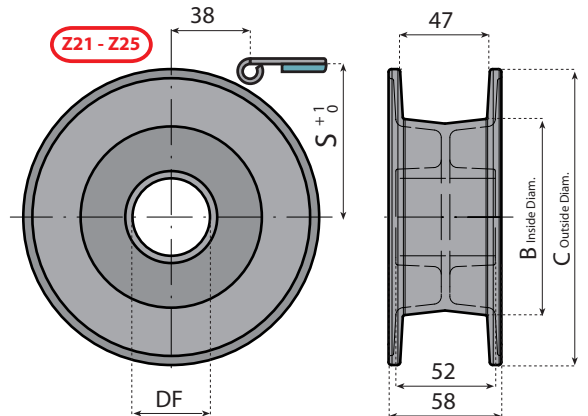
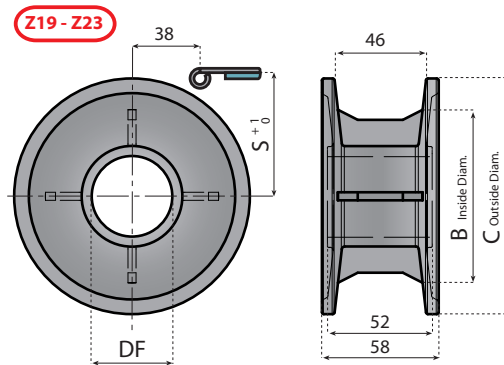
Colour: black

Notes: reinforced version, high wear and chemical resistance, recyclable.

Z equiv.	A1 mm	A2 mm	B mm	C mm	S mm
15	48	83	58	90	48.20
17	44	52	71	106	56.20

IDLER WHEELS - Floating

Ø 25	Ø 30	Ø 35	Ø 40	Ø 45
Part number				
-	12676	12677	12678	12679
12278	12279	-	-	-



Material: self-lubricating polyamide.

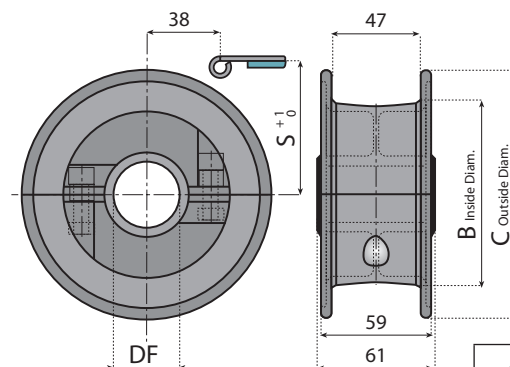
Colour: black.

Notes: reinforced version, high wear and chemical resistance, recyclable.

Z equiv.	B mm	C mm	S mm
19	86	117.0	62.6
21	95	129.8	68.6
23	86	142.2	74.6
25	103	154.7	80.5

IDLER WHEELS - Floating

Ø 25	Ø 30	Ø 35	Ø 40
Part number			
12208B	12209B	12210B	12211B
12200B	12201B	12202B	12203B
12212B	12213B	12214B	12215B
12204B	12205B	12206B	12207B



Material: self-lubricating polyamide, screws in stainless steel.

Colour: black.

Notes: quickly replaceable, reinforced version, high wear and chemical resistance, recyclable.

Z equiv.	B mm	C mm	S mm
21	97.0	129.8	68.6
23	99.5	142.2	74.6
25	102.0	154.7	80.5

SPLIT IDLER WHEELS - Floating

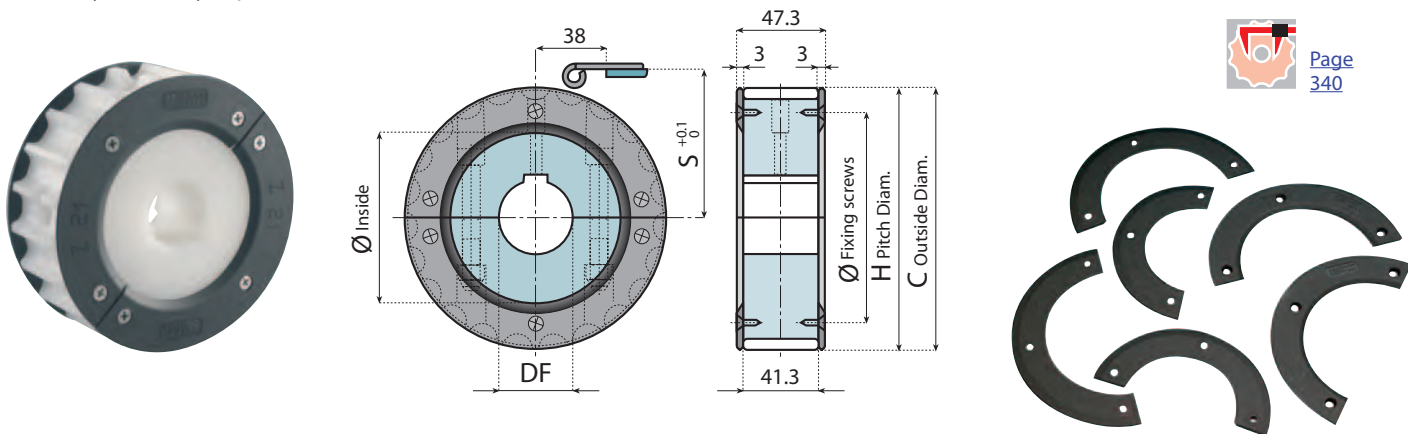
Ø 25	Ø 30	Ø 35	Ø 40
Part number			
12077B	12078B	12079B	12080B
121928B	121929B	121930B	121931B
12081B	12082B	12083B	12084B

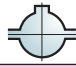
Features:

- Completely closed structure, easier to clean and to disinfect.
- Quickly and easy replaceable.

 Pages 16 - 17
22 - 23 - 26

 Page 340



 SPLIT SPROCKETS - Fixed				
Ø 18*	Ø 25	Ø 30	Ø 35	Ø 40
Part number				
12906A	12540A	12541A	12542A	12543A
12907A	12544A	12545A	12546A	12547A
12908A	12548A	12549A	12550A	12551A

GUIDE RINGS		
Black	Ø inside	Ø Fixing screw
12790N	79	104
12791N	92	116
12792N	104	128

Z	C mm	H mm	S mm
21	129.00	129.26	67.80
23	142.00	141.21	73.80
25	154.00	153.21	79.80

Material: polyamide, screws in stainless steel, nuts in zinc plated steel, DIN 6885 key seat.
* Plain Bore (without keyway)

Material: reinforced polyamide, screws in stainless steel
Supply: 4 segments and 12 screws
N = Black B = White

815 VG MINI - SK 38

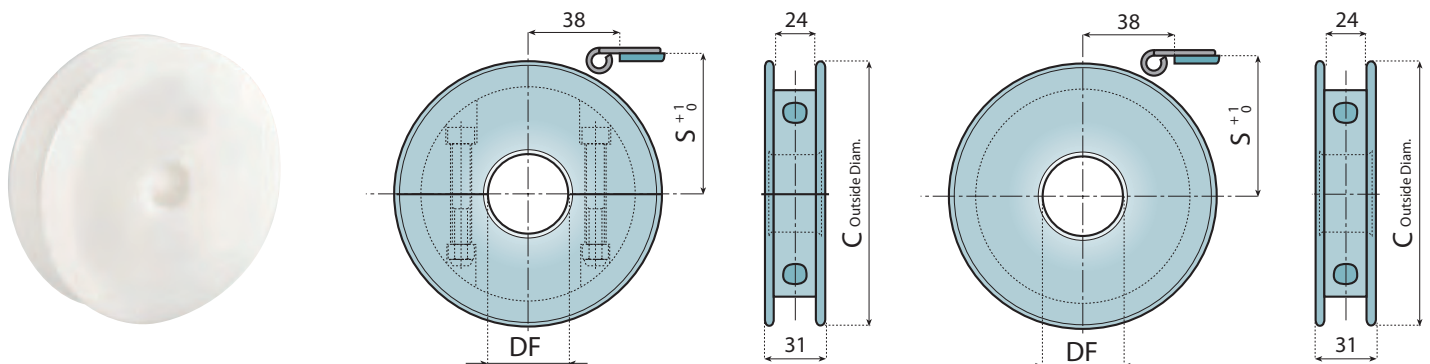
IDLER WHEELS


Features:


- Completely closed structure, easier to clean and to disinfect
- Quick and easy replacement.
- Recyclable.

 Pages 26 - 34

 Page 340



 SPLIT IDLER WHEELS - Floating					
Ø 20	Ø 25	Ø 30	Ø 35	Ø 40	
Part number					
122068	122069	122070	122071	122072	
122073	122074	122075	122076	122077	
122078	122079	122080	122081	122082	
122083	122084	122085	122086	122087	

 ONE PIECE IDLER WHEELS - Floating					
Ø 20	Ø 25	Ø 30	Ø 35	Ø 40	
Part number					
122088	122089	122090	122091	122092	
122093	122094	122095	122096	122097	
122098	122099	122100	122101	122102	
122103	122104	122105	122106	122107	

Material: polyamide, screws in stainless steel, nuts in zinc plated steel.

Material: polyamide.

Features:

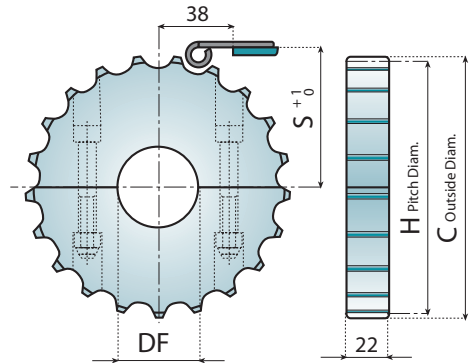
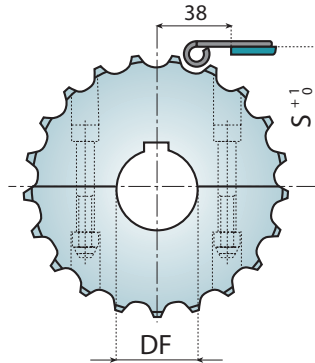
- Completely closed structure, easier to clean and to disinfect
- Split versions quick and easy replacement.



Page
26



Page
340



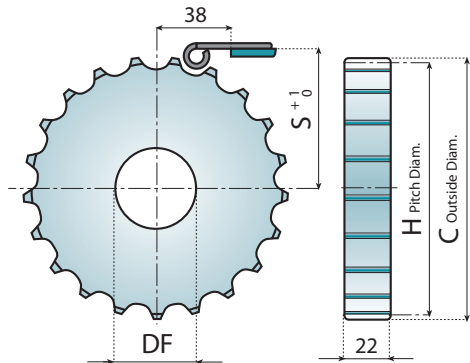
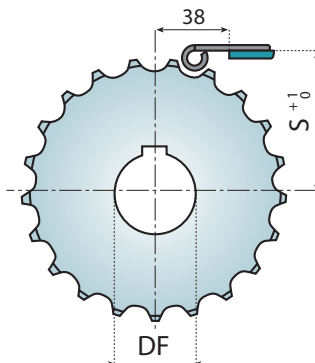
Z	C mm	H mm	S mm
19	117.00	117.34	61.90
21	129.00	129.26	67.80
23	142.00	141.21	73.80
25	154.00	153.21	79.80

SPLIT SPROCKETS - Fixed				
Ø 25	Ø 30	Ø 35	Ø 40	
Part Number				
122001	122002	122003	122004	
122006	122007	122008	122009	
122011	122012	122013	122014	
122016	122017	122018	122019	

Material: polyamide, screws in stainless steel, nuts in zinc plated steel, DIN 6885 key seat.

SPLIT IDLER WHEELS - Floating				
Ø 18*	Ø 25	Ø 30	Ø 35	Ø 40
Part Number				
122000	122036	122037	122038	122039
122005	122040	122041	122042	122043
122010	122044	122045	122046	122047
122015	122048	122049	122050	122051

Material: polyamide, screws in stainless steel, nuts in zinc plated steel.



Z	C mm	H mm	S mm
19	117.00	117.34	61.90
21	129.00	129.26	67.80
23	142.00	141.21	73.80
25	154.00	153.21	79.80

ONE PIECE SPROCKETS - Tight				
Ø 25	Ø 30	Ø 35	Ø 40	
Part Number				
122020	122021	122022	122023	
122024	122025	122026	122027	
122028	122029	122030	122031	
122032	122033	122034	122035	

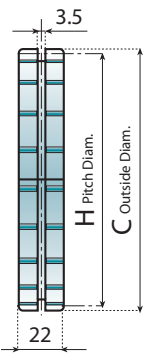
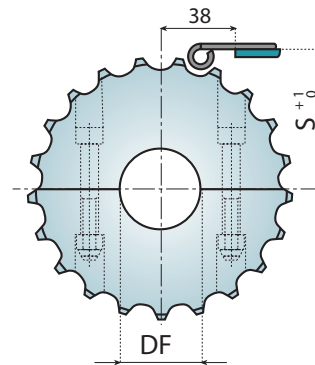
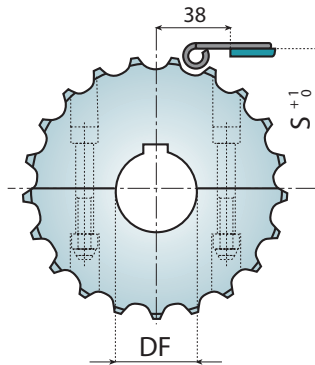
Material: polyamide, DIN 6885 key seat.

ONE PIECE IDLER WHEELS - Floating				
Ø 18*	Ø 25	Ø 30	Ø 35	Ø 40
Part Number				
122052G	122052	122053	122054	122055
122056G	122056	122057	122058	122059
122060G	122060	122061	122062	122063
122064G	122064	122065	122066	122067

Material: polyamide.

Features:

- Completely closed structure, easier to clean and to disinfect
- Split versions quick and easy replacement.

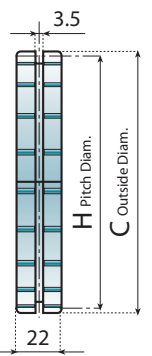
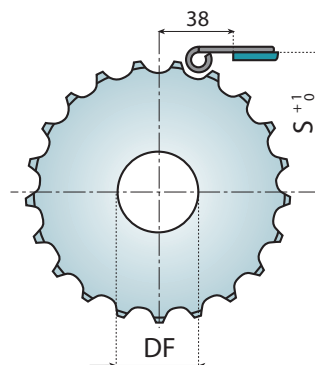
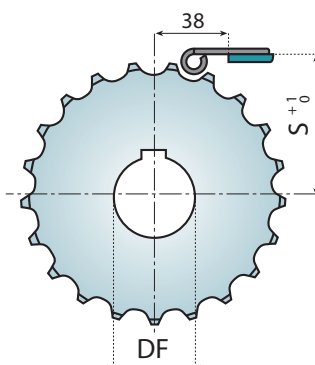


SPLIT SPROCKETS - Fixed				
Ø 25	Ø 30	Ø 35	Ø 40	
Part number				
122001SK	122002SK	122003SK	122004SK	
122006SK	122007SK	122008SK	122009SK	
122011SK	122012SK	122013SK	122014SK	
122016SK	122017SK	122018SK	122019SK	

Material: polyamide, screws in stainless steel, nuts in zinc plated steel, DIN 6885 key seat.

SPLIT IDLER WHEELS - Floating				
Ø 18*	Ø 25	Ø 30	Ø 35	Ø 40
Part number				
122000SK	122036SK	122037SK	122038SK	122039SK
122005SK	122040SK	122041SK	122042SK	122043SK
122010SK	122044SK	122045SK	122046SK	122047SK
122015SK	122048SK	122049SK	122050SK	122051SK

Material: polyamide, screws in stainless steel, nuts in zinc plated steel.



ONE PIECE SPROCKETS - Tight				
Ø 25	Ø 30	Ø 35	Ø 40	
Part number				
122020SK	122021SK	122022SK	122023SK	
122024SK	122025SK	122026SK	122027SK	
122028SK	122029SK	122030SK	122031SK	
122032SK	122033SK	122034SK	122035SK	

Material: polyamide, DIN 6885 key seat.

ONE PIECE IDLER WHEELS - Floating				
Ø 18*	Ø 25	Ø 30	Ø 35	Ø 40
Part number				
122052G-SK	122052SK	122053SK	122054SK	122055SK
122056G-SK	122056SK	122057SK	122058SK	122059SK
122060G-SK	122060SK	122061SK	122062SK	122063SK
122064G-SK	122064SK	122065SK	122066SK	122067SK

Material: polyamide, DIN 6885 key seat.

*Plain Bore

Features:

- Completely closed structure, easier to clean and to disinfect.
- Quick and easy replacement.

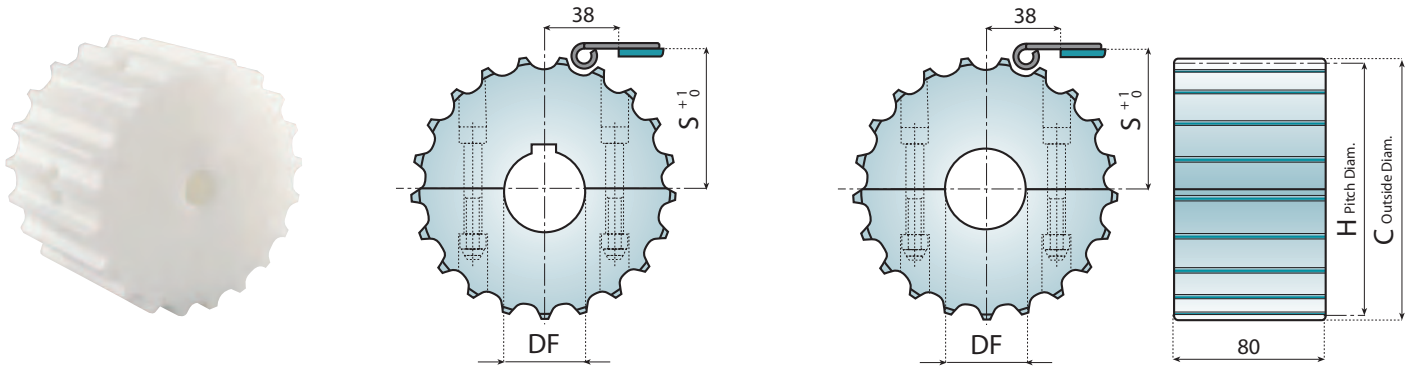
• Sprockets and idler wheels made of Steel on request.



Pages
18 - 27



Page
340



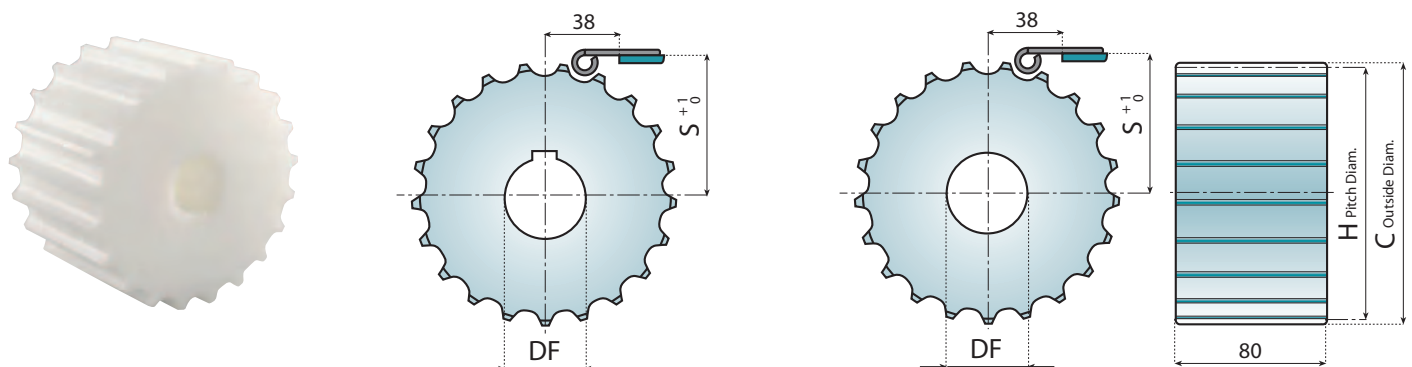
SPLIT SPROCKETS - Fixed				
	Ø 25	Ø 30	Ø 35	Ø 40
	Part number			
19	12280	12281	12282	12283
21	12284	12285	12286	12287
23	12288	12289	12290	12291
25	12292	12293	12294	12295
27	121308	121309	121310	121311
29	121313	121314	121315	121316

SPLIT IDLER WHEELS - Floating					
	Ø 18*	Ø 25	Ø 30	Ø 35	Ø 40
	Part number				
19	12900	121325	121326	121327	121328
21	12901	121329	121330	121331	121332
23	12902	121333	121334	121335	121336
25	12903	121337	121338	121339	121340
27	121307	121341	121342	121343	121344
29	121312	121345	121346	121347	121348

Material: polyamide, screws in stainless steel, nuts in zinc plated steel, DIN 6885 key seat.

Material: polyamide, screws in stainless steel, nuts in zinc plated steel.

*Plain Bore



ONE PIECE SPROCKETS - Tight				
	Ø 25	Ø 30	Ø 35	Ø 40
	Part number			
19	12296	12297	12298	12299
21	12437	12438	12439	12440
23	12441	12442	12443	12444
25	12445	12446	12447	12448
27	121317	121318	121319	121320
29	121321	121322	121323	121324

ONE PIECE IDLER WHEELS - Floating					
	Ø 18*	Ø 25	Ø 30	Ø 35	Ø 40
	Part number				
19	12449G	12449	12450	12451	12452
21	12453G	12453	12454	12455	12456
23	12457G	12457	12458	12459	12460
25	12461G	12461	12462	12463	12464
27	121349G	121349	121350	121351	121352
29	121353G	121353	121354	121355	121356

Material: polyamide, DIN 6885 key seat.

Material: polyamide.

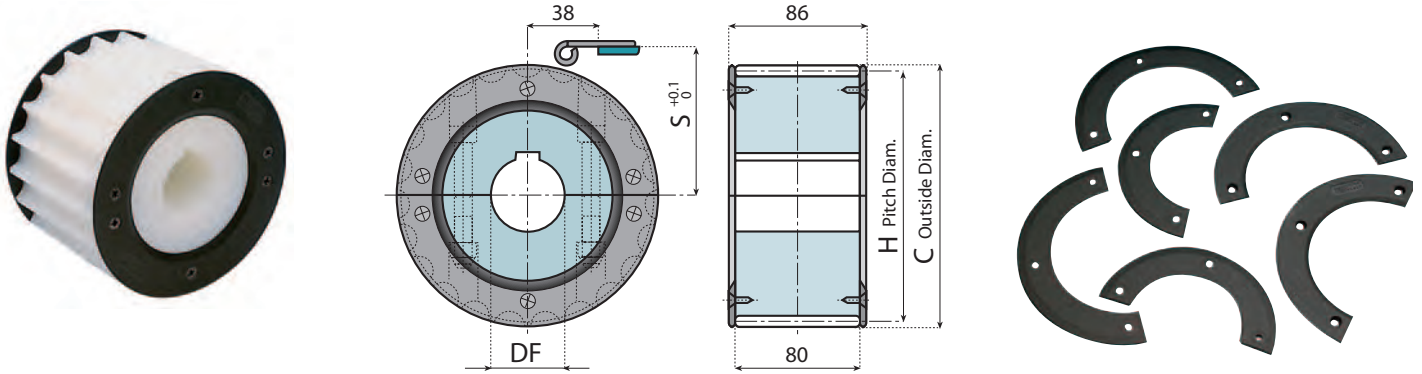
*Plain Bore


Features:

- Completely closed structure, easier to clean and to disinfect
- Quick and easy replacement.
- Split guide rings.

 Pages 18 - 27

 Page 340

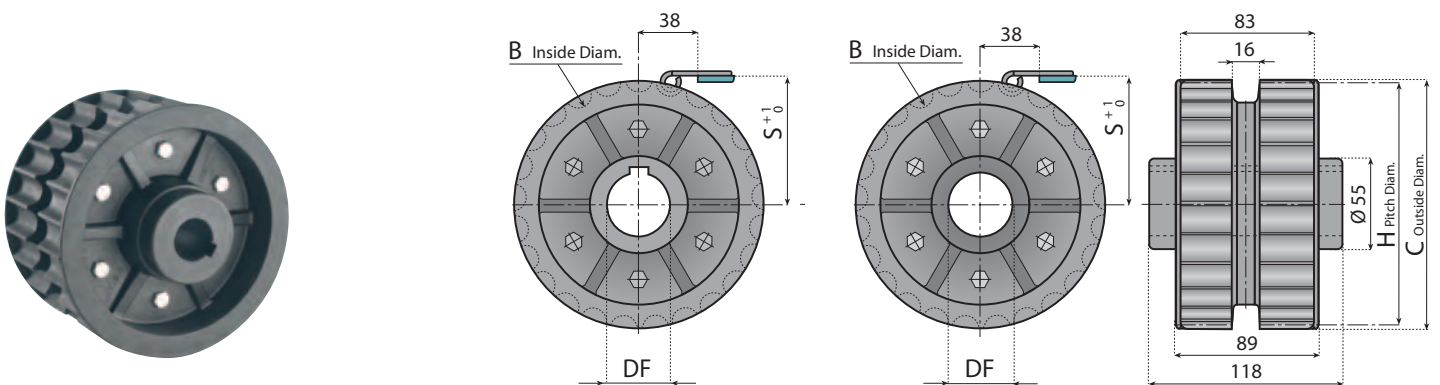


 SPLIT SPROCKETS - Fixed								
Z	C mm	H mm	S mm	Ø 18*	Ø 25	Ø 30	Ø 35	Ø 40
				Part number				
21	129.00	129.26	67.80	12901A	12284A	12285A	12286A	12287A
23	142.00	141.21	73.80	12902A	12288A	12289A	12290A	12291A
25	154.00	153.21	79.80	12903A	12292A	12293A	12294A	12295A


Material: polyamide, screws in stainless steel, nuts in zinc plated steel, DIN 6885 key seat.
***Plain Bore (without keyway)**

GUIDE RINGS		
Black	Ø inside	Fixing Ø screw
12790N	79	104
12791N	92	116
12792N	104	128


Material: reinforced polyamide, screws in stainless steel.
Supply: 4 segments and 12 screws
N = Black B = White



Z	B mm	C mm	H mm	S mm
25	140.1	154.0	153.2	79.8

 DRIVE SPROCKETS - Tight				
Ø 25	Ø 30	Ø 35	Ø 40	Part number
12033	12034	12035	12036	

Material: reinforced polyamide, screws in stainless steel, DIN 6885 key seat.

 IDLER WHEELS - Floating				
Ø 25	Ø 30	Ø 35	Ø 40	Part number
12037	12038	12039	12040	

Material: polyamide, screws in stainless steel.

Features:

- Molded sprocket.
- Molded covers for easy cleaning.
- Possibility of integrated guide rings.
- Quick and easy replacement.

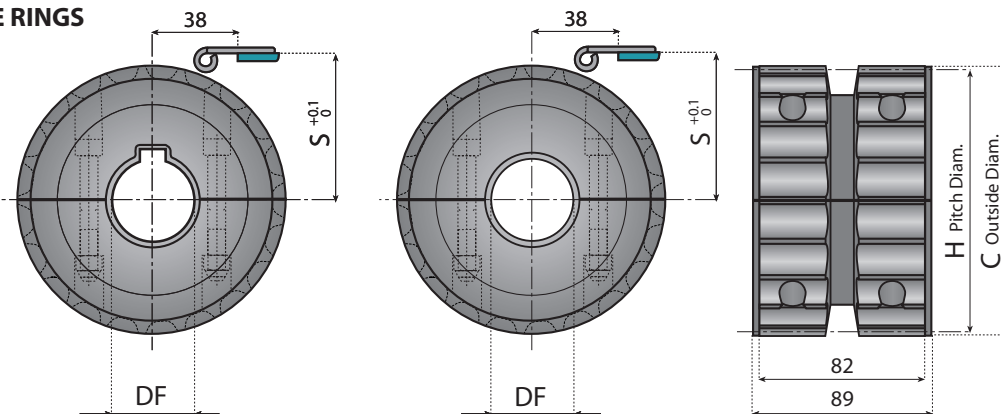


Pages
18 - 27



Page
340

VERSION WITH INTEGRATED GUIDE RINGS



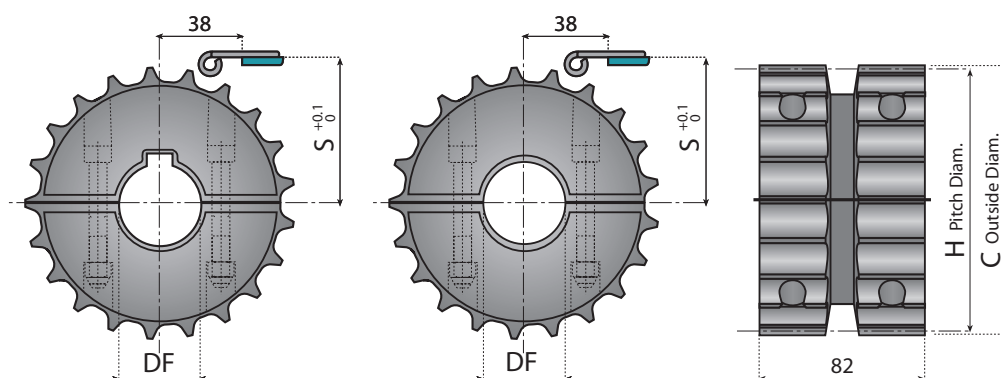
SPLIT SPROCKETS - Fixed			
\emptyset 30	\emptyset 35	\emptyset 40	
Part number			
121932	121933	121934	

SPLIT IDLER WHEELS - Floating			
\emptyset 30	\emptyset 35	\emptyset 40	
Part number			
121935	121936	121937	

Z	C mm	H mm	S mm
21	129.0	129.26	67.8

Material: polyamide, screws in stainless steel, nuts in zinc plated steel, DIN 6885 key seat.

Material: polyamide, screws in stainless steel, nuts in zinc plated steel.



SPLIT SPROCKETS - Fixed			
\emptyset 30	\emptyset 35	\emptyset 40	
Part number			
121938	121939	121940	

SPLIT IDLER WHEELS - Floating			
\emptyset 30	\emptyset 35	\emptyset 40	
Part number			
121941	121942	121943	

Z	C mm	H mm	S mm
21	129.0	129.26	67.8

Material: polyamide, screws in stainless steel, nuts in zinc plated steel, DIN 6885 key seat.

Material: polyamide, screws in stainless steel, nuts in zinc plated steel.

Features:

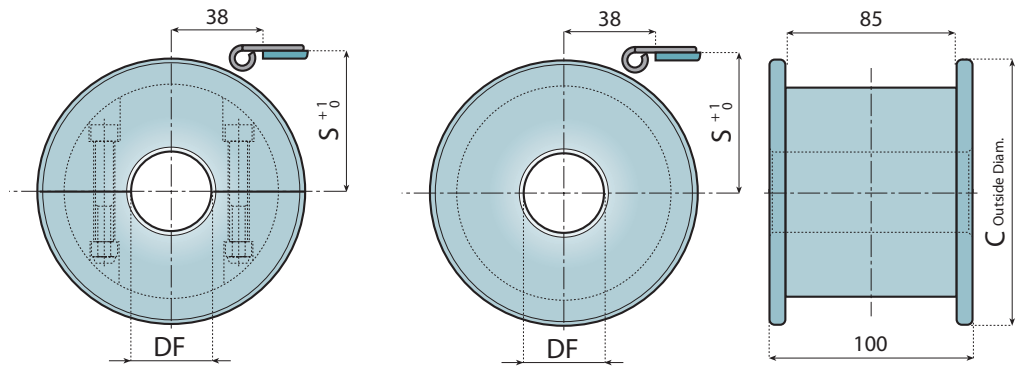
- Completely closed structure, easier to clean and to disinfect
- Quick and easy replacement.



Pages
18 - 27



Page
340



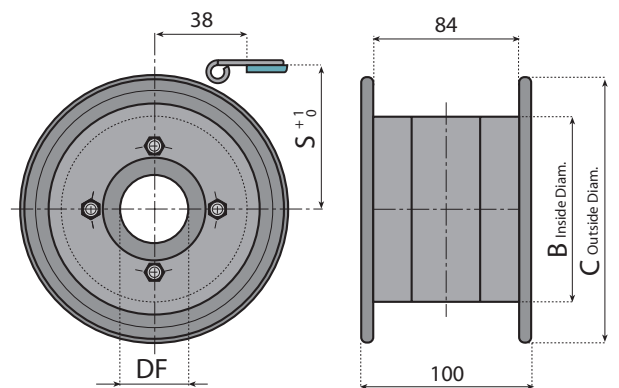
Z equiv.	C mm	S mm
19	117.0	62.6
21	129.8	68.6
23	142.2	74.6
25	154.7	80.5
27	167.2	86.5
29	179.3	92.8

SPLIT IDLER WHEELS - Floating					
Ø 20	Ø 25	Ø 30	Ø 35	Ø 40	
Part number					
12980	12981	12982	12983	12984	
12985	12986	12987	12988	12989	
12990	12991	12992	12993	12994	
12995	12996	12997	12998	12999	
121527	121528	121529	121530	121531	
121532	121533	121534	121535	121536	

Material: polyamide, screws in stainless steel, nuts in zinc plated steel.

ONE PIECE IDLER WHEELS - Floating					
Ø 20	Ø 25	Ø 30	Ø 35	Ø 40	
Part number					
12130	12131	12132	12133	12134	
12135	12136	12137	12138	12139	
12140	12141	12142	12143	12144	
12145	12146	12147	12148	12149	
121537	121538	121539	121540	121541	
121542	121543	121544	121545	121546	

Material: polyamide.



Z equiv.	B mm	C mm	S mm
19	80.0	118.0	62.6
21	80.0	129.8	68.6
23	108.0	142.5	74.6
25	108.0	155.0	80.5

IDLER WHEELS - Floating				
Ø 25	Ø 30	Ø 35	Ø 40	
Part number				
121616	121617	121618	121619	
121620	121621	121622	121623	
121624	121625	121626	121627	
121628	121629	121630	121631	

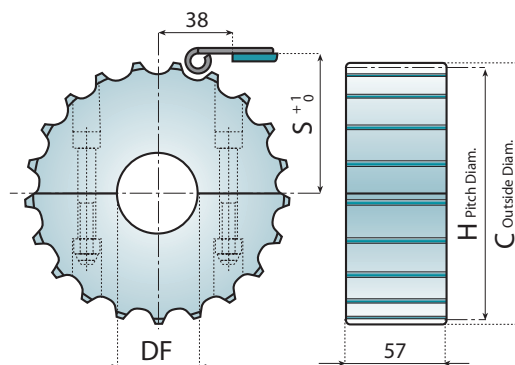
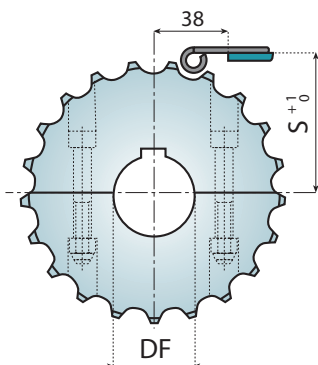
Material: self-lubricating polyamide, screws in zinc plated steel.


Features:


- Completely closed structure, easier to clean and to disinfect
- Quick and easy replacement.

 Pages
18 - 23
28 - 30

 Page
340

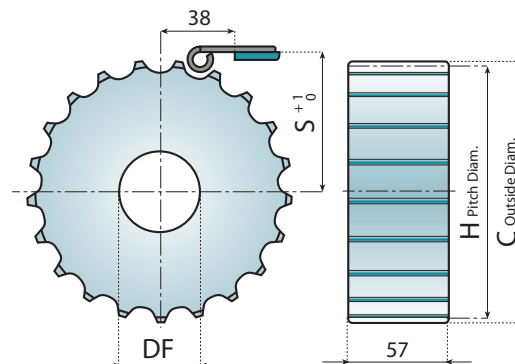
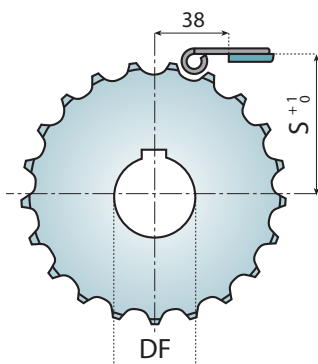



 SPLIT SPROCKETS - Fixed				
Z	C mm	H mm	S mm	
17	103.90	105.47	55.90	
19	117.00	117.34	61.90	
21	129.00	129.26	67.80	
23	142.00	141.21	73.80	
25	154.00	153.21	79.80	
27	166.80	165.20	85.80	
29	178.50	177.24	91.80	


 SPLIT IDLER WHEELS - Floating				
Z	C mm	H mm	S mm	
17	103.90	105.47	55.90	
19	117.00	117.34	61.90	
21	129.00	129.26	67.80	
23	142.00	141.21	73.80	
25	154.00	153.21	79.80	
27	166.80	165.20	85.80	
29	178.50	177.24	91.80	

Material: polyamide, screws in stainless steel, nuts in zinc plated steel, DIN 6885 key seat.

Material: polyamide, screws in stainless steel, nuts in zinc plated steel.
***Plain Bore**



 ONE PIECE SPROCKETS - Tight				
Z	C mm	H mm	S mm	
17	103.90	105.47	55.90	
19	117.00	117.34	61.90	
21	129.00	129.26	67.80	
23	142.00	141.21	73.80	
25	154.00	153.21	79.80	
27	166.80	165.20	85.80	
29	178.50	177.24	91.80	

 ONE PIECE IDLER WHEELS - Floating				
Z	C mm	H mm	S mm	
17	103.90	105.47	55.90	
19	117.00	117.34	61.90	
21	129.00	129.26	67.80	
23	142.00	141.21	73.80	
25	154.00	153.21	79.80	
27	166.80	165.20	85.80	
29	178.50	177.24	91.80	

Material: polyamide, screws in stainless steel, DIN 6885 key seat.

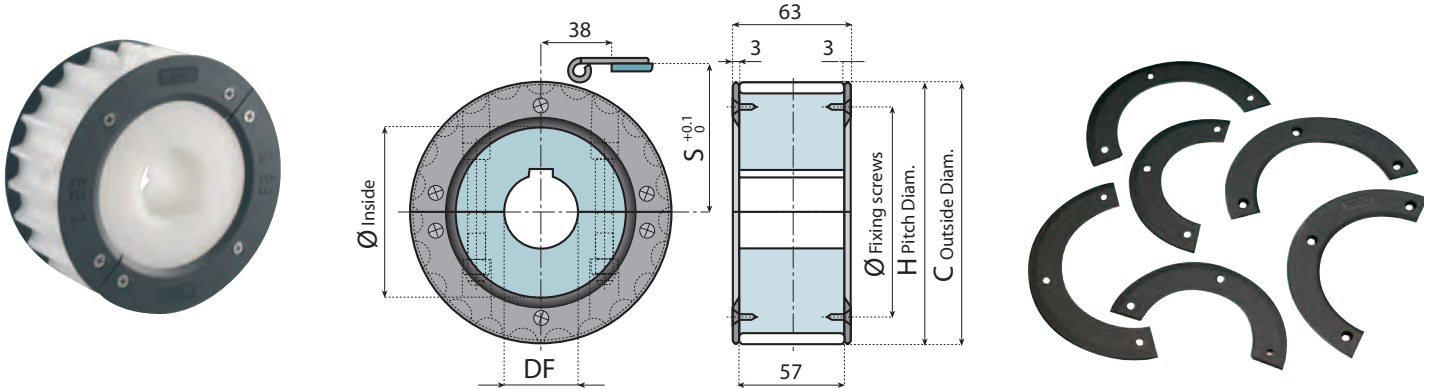
Material: polyamide, DIN 6885 key seat.
***Plain Bore**


Features:

- Completely closed structure, easier to clean and to disinfect
- Complete with guide rings

 Pages 18 - 23
28 - 30

 Page 340



 SPLIT SPROCKETS - Fixed				
Ø 18*	Ø 25	Ø 30	Ø 35	Ø 40
Part number				
121810A	121811A	121812A	121813A	121814A
121815A	121816A	121817A	121818A	121819A
121820A	121821A	121822A	121823A	121824A

GUIDE RINGS		
Black	Ø inside	Ø Fixing screw
12790N	79	104
12791N	92	116
12792N	104	128

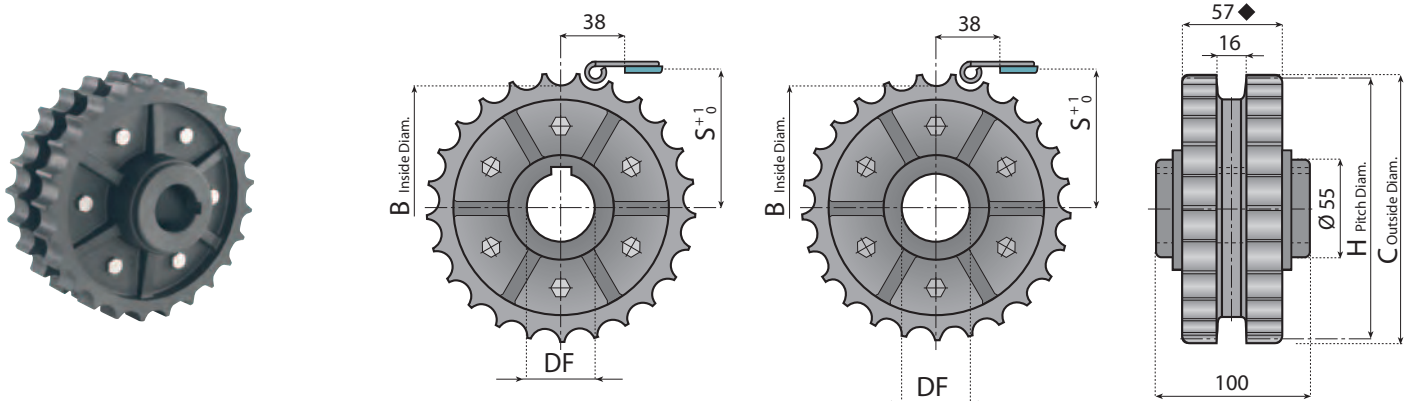
Z	C mm	H mm	S mm
21	129.00	129.26	67.80
23	142.00	141.21	73.80
25	154.00	153.21	79.80


Material: polyamide, screws in stainless steel, nuts in zinc plated steel, DIN 6885 key seat.
*Plain Bore


Material: reinforced polyamide, screws in stainless steel.
Supply: 4 segments and 12 screws
N = Black B = White

SPROCKETS and IDLER WHEELS

8157 - 8857 M



 DRIVE SPROCKETS - Tight				
Ø 25	Ø 30	Ø 35	Ø 40	
Part number				
121920	121921	121922	121923	

 IDLER WHEELS - Floating			
Ø 25	Ø 30	Ø 35	Ø 40
Part number			
121924	121925	121926	121927

Z	B mm	C mm	H mm	S mm
25	140.1	154.0	153.2	79.8

Material: reinforced polyamide, screws in stainless steel, nuts in zinc plated steel, DIN 6885 key seat.

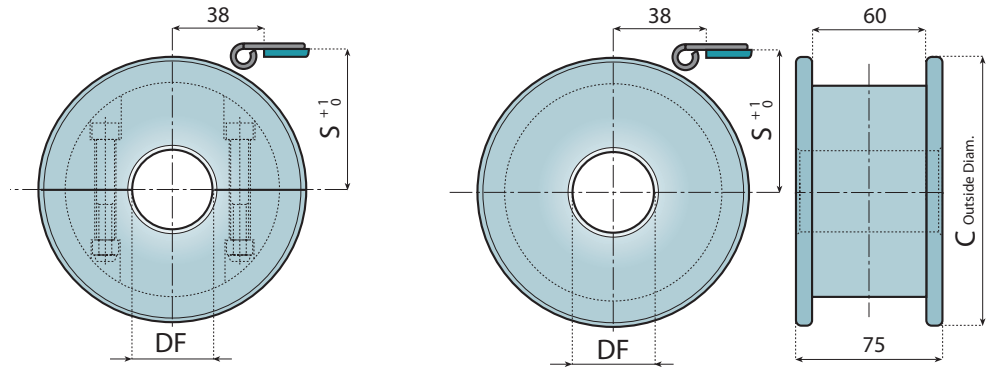
Material: self lubricating polyamide, screws in stainless steel.

Features:

- Completely closed structure, easier to clean and to disinfect
- Recyclable.
- Quick and easy replacement.

 Pages
18 - 23
28 - 30

 Page
340



SPLIT IDLER WHEELS - Floating

Z equiv.	C mm	S mm
17	104.0	56.2
19	117.0	62.6
21	129.8	68.6
23	142.2	74.6
25	154.7	80.5
27	167.2	86.5
29	179.3	92.8

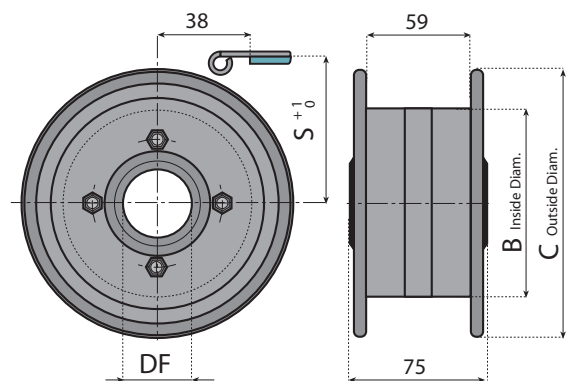
Ø 20	Ø 25	Ø 30	Ø 35	Ø 40
Part number				
121377	121378	121379	121380	121381
121382	121383	121384	121385	121386
121387	121388	121389	121390	121391
121392	121393	121394	121395	121396
121397	121398	121399	121400	121401
121402	121403	121404	121405	121406
121407	121408	121409	121410	121411

Material: polyamide, screws in stainless steel, nuts in zinc plated steel.

ONE PIECE IDLER WHEELS - Floating

Ø 20	Ø 25	Ø 30	Ø 35	Ø 40
Part number				
121412	121413	121414	121415	121416
121417	121418	121419	121420	121421
121422	121423	121424	121425	121426
121427	121428	121429	121430	121431
121432	121433	121434	121435	121436
121437	121438	121439	121440	121441
121442	121443	121444	121445	121446

Material: polyamide.



IDLER WHEELS - Floating

Z equiv.	B mm	C mm	S mm
19	80.0	118.0	62.6
21	80.0	129.8	68.6
23	108.0	142.5	74.6
25	108.0	155.0	80.5

Ø 25	Ø 30	Ø 35	Ø 40
Part number			
121600	121601	121602	121603
121604	121605	121606	121607
121608	121609	121610	121611
121612	121613	121614	121615

Material: self-lubricating polyamide, screws in zinc plated steel.

Features:

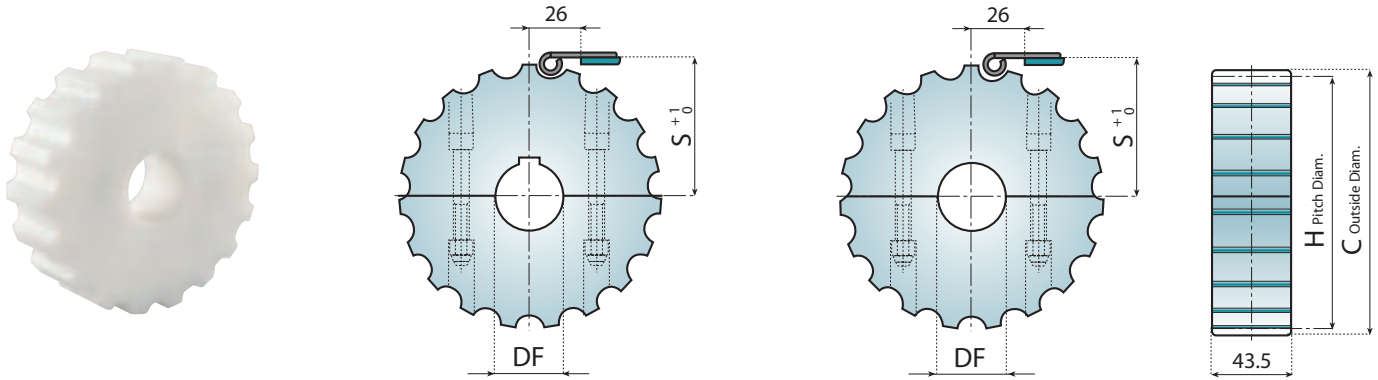
- Completely closed structure, easier to clean and to disinfect
- Quick and easy replacement.
- Sprockets and idler wheels made of Steel on request.



Page 19



Page 340



SPLIT SPROCKETS - Fixed				
Z	C mm	H mm	S mm	
13	106.1	108.0	57.2	
15	122.2	124.0	65.2	
17	138.2	138.2	72.3	
18	146.4	146.3	76.4	
19	155.7	154.3	80.4	
21	173.0	170.4	88.4	
23	190.0	186.5	96.5	
25	204.0	202.7	104.6	

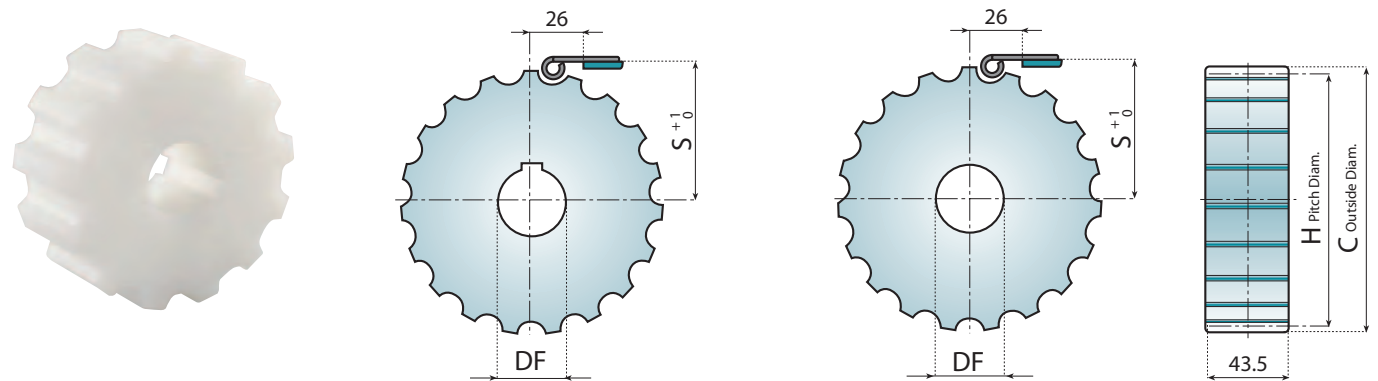
Ø 25	Ø 30	Ø 35	Ø 40
Part number			
121556	121557	121558	121559
121561	121562	121563	121564
121566	121567	121568	121569
121571	121572	121573	121574
121576	121577	121578	121579
121581	121582	121583	121584
121586	121587	121588	121589
121591	121592	121593	121594

Material: polyamide, screws in stainless steel, nuts in zinc plated steel, DIN 6885 key seat.

SPLIT IDLER WHEELS - Floating					
Ø 18*	Ø 25	Ø 30	Ø 35	Ø 40	
121555	121688	121689	121690	121691	
121560	121692	121693	121694	121695	
121565	121696	121697	121698	121699	
121570	121700	121701	121702	121703	
121575	121704	121705	121706	121707	
121580	121708	121709	121710	121711	
121585	121712	121713	121714	121715	
121590	121716	121717	121718	121719	

Material: polyamide, screws in stainless steel, nuts in zinc plated steel.

***Plain Bore**



ONE PIECE SPROCKETS - Tight				
Z	C mm	H mm	S mm	
13	106.1	108.0	57.2	
15	122.2	124.0	65.2	
17	138.2	138.2	72.3	
18	146.4	146.3	76.4	
19	155.7	154.3	80.4	
21	173.0	170.4	88.4	
23	190.0	186.5	96.5	
25	204.0	202.7	104.6	

Ø 25	Ø 30	Ø 35	Ø 40
Part number			
121656	121657	121658	121659
121660	121661	121662	121663
121664	121665	121666	121667
121668	121669	121670	121671
121672	121673	121674	121675
121676	121677	121678	121679
121680	121681	121682	121683
121684	121685	121686	121687

Material: polyamide, DIN 6885 key seat.

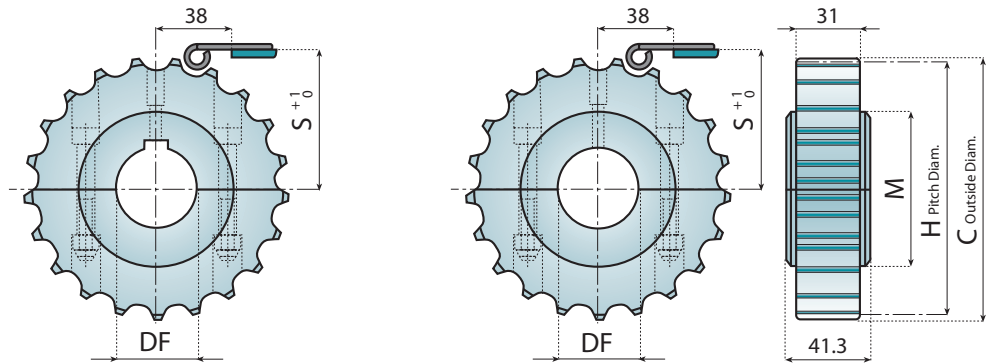
ONE PIECE IDLER WHEELS - Floating					
Ø 18*	Ø 25	Ø 30	Ø 35	Ø 40	
121720G	121720	121721	121722	121723	
121724G	121724	121725	121726	121727	
121728G	121728	121729	121730	121731	
121732G	121732	121733	121734	121735	
121736G	121736	121737	121738	121739	
121740G	121740	121741	121742	121743	
121744G	121744	121745	121746	121747	
121748G	121748	121749	121750	121751	

Material: polyamide

***Plain Bore**

Features:

- Completely closed structure, easier to clean and to disinfect.
- Quick and easy replacement.
- Sprockets and idler wheels made of Steel on request.



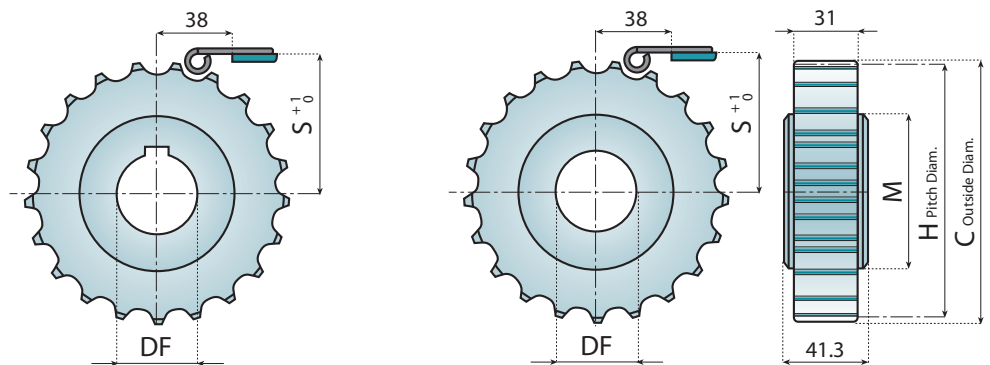
Z	C mm	H mm	M mm	S mm
17	103.90	105.47	70.00	55.90
19	117.00	117.34	70.00	61.90
21	129.00	129.26	85.00	67.80
23	142.00	141.21	90.00	73.80
25	154.00	153.21	90.00	79.80
27	166.80	165.20	100.00	85.80
29	178.50	177.24	110.00	91.80

SPLIT SPROCKETS - Fixed					
Ø 25	Ø 30	Ø 35	Ø 40	Ø 45	
Part number					
12465	12466	12467	12468	-	
12469	12470	12471	12472	-	
12473	12474	12475	12476	126003	
12477	12478	12479	12480	126004	
12481	12482	12483	12484	126005	
121218	121219	121220	121221	-	
121223	121224	121225	121226	-	

Material: polyamide, screws in stainless steel, nuts in zinc plated steel, DIN 6885 key seat.

SPLIT IDLER WHEELS - Floating					
Ø 18*	Ø 25	Ø 30	Ø 35	Ø 40	
Part number					
12965	121271	121272	121273	121274	
12966	121275	121276	121277	121278	
12967	121279	121280	121281	121282	
12968	121283	121284	121285	121286	
12969	121287	121288	121289	121290	
121217	121291	121292	121293	121294	
121222	121295	121296	121297	121298	

Material: polyamide, screws in stainless steel, nuts in zinc plated steel.
*Plain Bore



Z	C mm	H mm	M mm	S mm
17	103.90	105.47	70.00	55.90
19	117.00	117.34	70.00	61.90
21	129.00	126.26	85.00	67.80
23	142.00	141.21	90.00	73.80
25	154.00	153.21	90.00	79.80
27	166.80	165.20	100.00	85.80
29	178.50	177.24	110.00	91.80

ONE PIECE SPROCKETS - Tight				
Ø 25	Ø 30	Ø 35	Ø 40	
Part number				
12485	12486	12487	12488	
12489	12490	12491	12492	
12493	12494	12495	12496	
12497	12498	12499	12500	
12501	12502	12503	12504	
121227	121228	121229	121230	
121231	121232	121233	121234	

Material: polyamide, DIN 6885 key seat.

ONE PIECE IDLER WHEELS - Floating				
Ø 18*	Ø 25	Ø 30	Ø 35	Ø 40
Part number				
-	12505	12506	12507	12508
-	12509	12510	12511	12512
-	12513	12514	12515	12516
-	12517	12518	12519	12520
-	12521	12522	12523	12524
-	121299	121300	121301	121302
-	121303	121304	121305	121306

Material: polyamide.

*Plain Bore

Features:


- Maximum keyway load.

 Pages 20 - 21
27 - 29 - 30

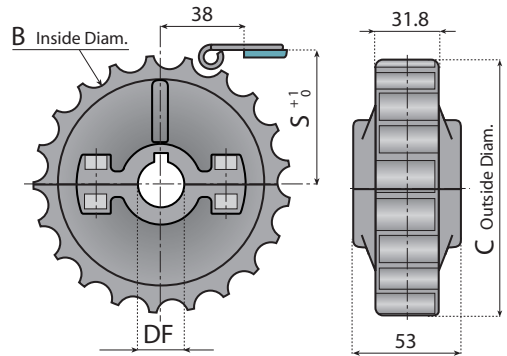
 Page 340




Z	B mm	C mm	S mm
21	116.1	129.0	67.8
23	128.1	142.0	73.8
25	140.1	154.0	79.8

 SPLIT SPROCKETS - Fixed				
Ø 25	Ø 30	Ø 35	Ø 40	Ø 45
Part number				
12061N	12062N	12063N	12064N	12097N
12109N	12110N	12111N	12112N	-
12073N	12074N	12075N	12076N	19098N

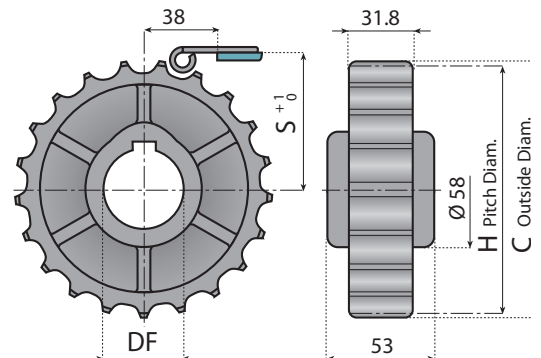
Material: reinforced polyamide, screws in stainless steel, nuts in nickel plated brass, DIN 6885 key seat.



Z	H mm	C mm	S mm
21	129.26	129.00	67.80
25	153.21	154.00	79.80

 ONE PIECE SPROCKETS - Tight			
Ø 25	Ø 30	Ø 35	Ø 40
Part number			
12268	12269	12270	12271
12272	12273	12274	12275

Material: reinforced polyamide, DIN 6885 key seat.

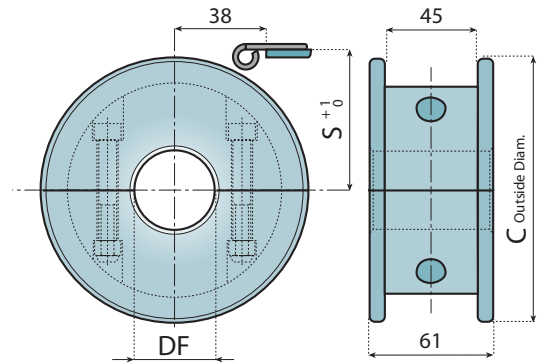
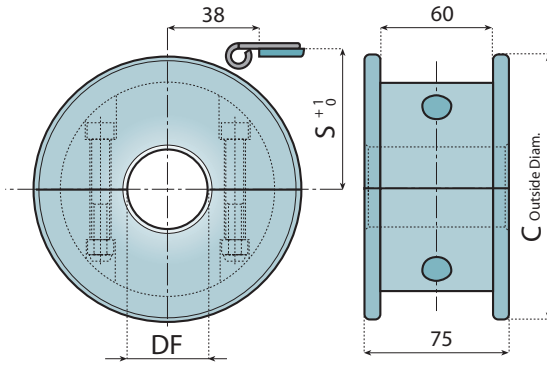


Features:

- Completely closed structure, easier to clean and to disinfect.
- Recyclable.
- Quick and easy replacement.

 Pages
20 - 21
27 - 29 - 30

 Page
340



SPLIT IDLER WHEELS, TAB CHAINS - Floating

SPLIT IDLER WHEELS, BEVEL CHAINS - Floating

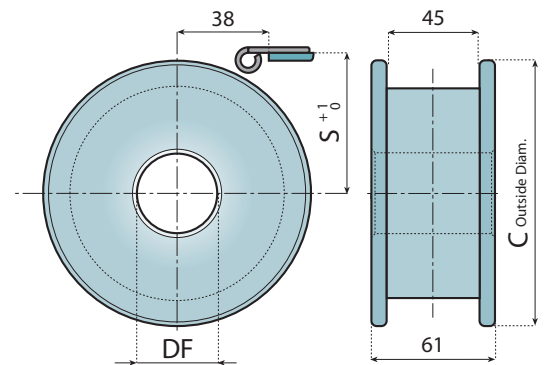
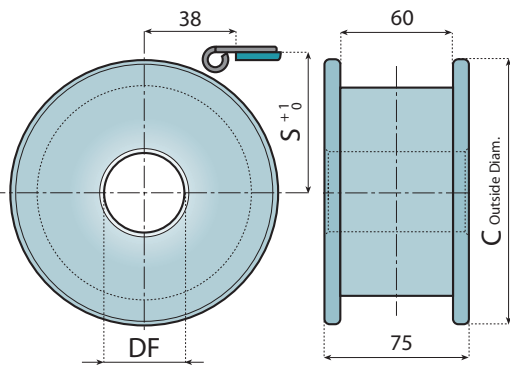
Z equiv.	C mm	S mm
17	104.0	56.2
19	117.0	62.6
21	129.8	68.6
23	142.2	74.6
25	154.7	80.5
27	167.2	86.5
29	179.3	92.8

Ø 20	Ø 25	Ø 30	Ø 35	Ø 40
Part number				
121377	121378	121379	121380	121381
121382	121383	121384	121385	121386
121387	121388	121389	121390	121391
121392	121393	121394	121395	121396
121397	121398	121399	121400	121401
121402	121403	121404	121405	121406
121407	121408	121409	121410	121411

Ø 20	Ø 25	Ø 30	Ø 35	Ø 40
Part number				
12608	12609	12610	12611	12612
12613	12614	12615	12616	12618
12617	12619	12620	12621	12622
12623	12624	12625	12626	12627
12628	12629	12630	12631	12632
121357	121358	121359	121360	121361
121362	121363	121364	121365	121366

Material: polyamide, screws in stainless steel, nuts in zinc plated steel.

Material: polyamide, screws in stainless steel, nuts in zinc plated steel.



ONE PIECE IDLER WHEELS, TAB CHAINS - Floating

ONE PIECE IDLER WHEELS, BEVEL CHAINS - Floating

Z equiv.	C mm	S mm
17	104.0	56.2
19	117.0	62.6
21	129.8	68.6
23	142.2	74.6
25	154.7	80.5
27	167.2	86.5
29	179.3	92.8

Ø 20	Ø 25	Ø 30	Ø 35	Ø 40
Part number				
121412	121413	121414	121415	121416
121417	121418	121419	121420	121421
121422	121423	121424	121425	121426
121427	121428	121429	121430	121431
121432	121433	121434	121435	121436
121437	121438	121439	121440	121441
121442	121443	121444	121445	121446

Ø 20	Ø 25	Ø 30	Ø 35	Ø 40
Part number				
12633	12634	12635	12636	12637
12638	12639	12640	12641	12642
12643	12644	12645	12646	12647
12648	12649	12650	12651	12652
12653	12654	12655	12656	12657
121367	121368	121369	121370	121371
121372	121373	121374	121375	121376

Material: polyamide.

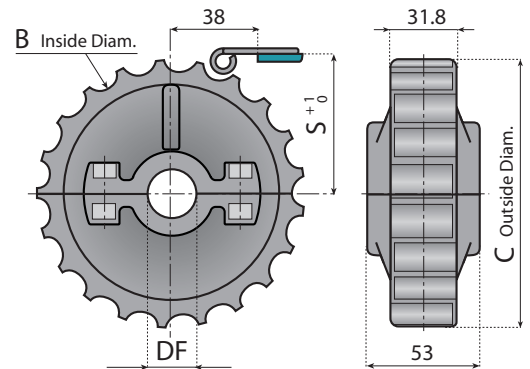
Material: polyamide.



SPLIT IDLER WHEELS - Floating					
Ø 25	Ø 30	Ø 35	Ø 40	Ø 45	
Part number					
121110N	121111N	121112N	121113N	121084N	
121115N	121116N	121117N	121118N	-	
121120N	121121N	121122N	121123N	121124N	

Z	B mm	C mm	S mm
21	116.1	129.0	67.8
23	128.1	142.0	73.8
25	140.1	154.0	79.8

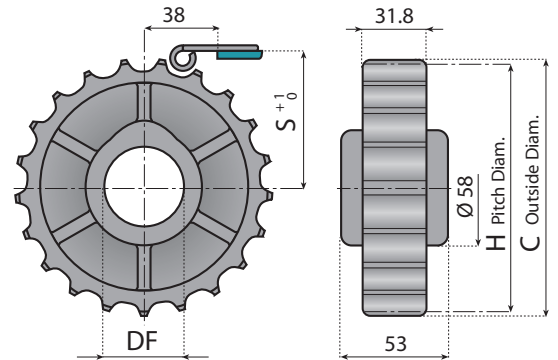
Material: polyamide, screws in stainless steel, nuts in nickel plated brass.



IDLER WHEELS - Floating				
Ø 25	Ø 30	Ø 35	Ø 40	
Part number				
12260	12261	12262	12263	
12264	12265	12266	12267	

Z	H mm	C mm	S mm
21	129.26	129.00	67.80
25	153.21	154.00	79.80

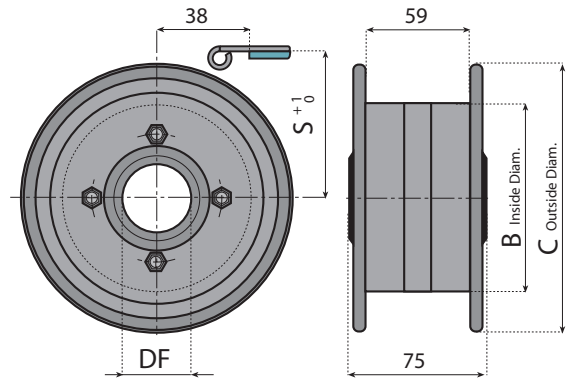
Material: polyamide.



IDLER WHEELS FOR TAB CHAINS - Floating				
Ø 25	Ø 30	Ø 35	Ø 40	
Part number				
121600	121601	121602	121603	
121604	121605	121606	121607	
121608	121609	121610	121611	
121612	121613	121614	121615	

Z equiv.	B mm	C mm	S mm
19	80.0	118.0	62.6
21	80.0	129.8	68.6
23	108.0	142.5	74.6
25	108.0	155.0	80.5

Material: self-lubricating polyamide, screws in zinc plated steel.

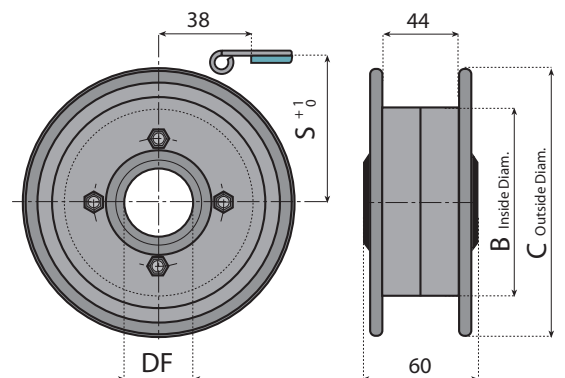


IDLER WHEELS FOR BEVEL CHAINS - Floating				
Ø 25	Ø 30	Ø 35	Ø 40	
Part number				
12680	12681	12682	12683	
12684	12685	12686	12687	
12688	12689	12690	12691	
12692	12693	12694	12695	

Z equiv.	B mm	C mm	S mm
19	80.0	118.0	62.6
21	80.0	129.8	68.6
23	108.0	142.5	74.6
25	108.0	155.0	80.5

Material: self-lubricating polyamide, screws in zinc plated steel.

Application: chains series 881 - 881O

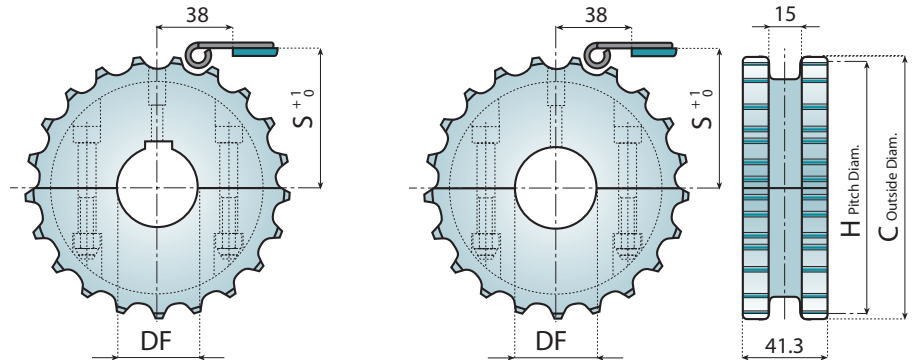


Features:


- Completely closed structure, easier to clean and to disinfect.
- Quick and easy replacement
- Sprockets and idler wheels made of Steel on request.


 Pages
32 - 33
48 - 54

 Page
340



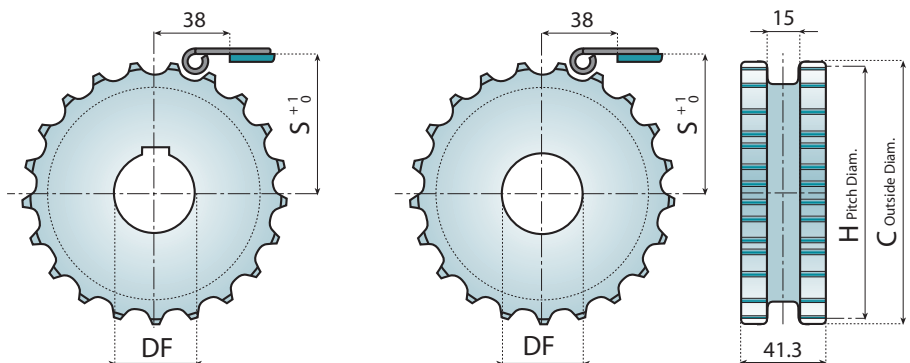
Z	C mm	H mm	S mm
17	103.90	105.47	55.90
19	117.00	117.34	61.90
21	129.00	129.26	67.80
23	142.00	141.21	73.80
25	154.00	153.21	79.80
27	166.80	165.20	85.80
29	178.50	177.24	91.80

 SPLIT SPROCKETS - Fixed				
Ø 25	Ø 30	Ø 35	Ø 40	Ø 45
Part number				
12920	12921	12922	12923	-
12924	12925	12926	12927	-
12928	12929	12930	12931	126006
12932	12933	12934	12935	126007
12936	12937	12938	12939	126008
121126	121127	121128	121129	-
121131	121132	121133	121134	-


 SPLIT IDLER WHEELS - Floating				
Ø 18*	Ø 25	Ø 30	Ø 35	Ø 40
Part number				
12960	121143	121144	121145	121146
12961	121147	121148	121149	121150
12962	121151	121152	121153	121154
12963	121155	121156	121157	121158
12964	121159	121160	121161	121162
121125	121163	121164	121165	121166
121130	121167	121168	121169	121170


Material: polyamide, screws in stainless steel, nuts in zinc plated steel, DIN 6885 key seat.

Material: polyamide, screws in stainless steel, nuts in zinc plated steel.
*Plain Bore



Z	C mm	H mm	S mm
17	103.90	105.47	55.90
19	117.00	117.34	61.90
21	129.00	129.26	67.80
23	142.00	141.21	73.80
25	154.00	153.21	79.80
27	166.80	165.20	85.80
29	178.50	177.24	91.80

 ONE PIECE SPROCKETS - Tight				
Ø 25	Ø 30	Ø 35	Ø 40	
Part number				
12940	12941	12942	12943	
12944	12945	12946	12947	
12948	12949	12950	12951	
12952	12953	12954	12955	
12956	12957	12958	12959	
121135	121136	121137	121138	
121139	121140	121141	121142	

 ONE PIECE IDLER WHEELS - Floating				
Ø 18*	Ø 25	Ø 30	Ø 35	Ø 40
Part number				
-	121171	121172	121173	121174
-	121175	121176	121177	121178
-	121179	121180	121181	121182
-	121183	121184	121185	121186
-	121187	121188	121189	121190
-	121191	121192	121193	121194
-	121195	121196	121197	121198

Material: polyamide, DIN 6885 key seat.

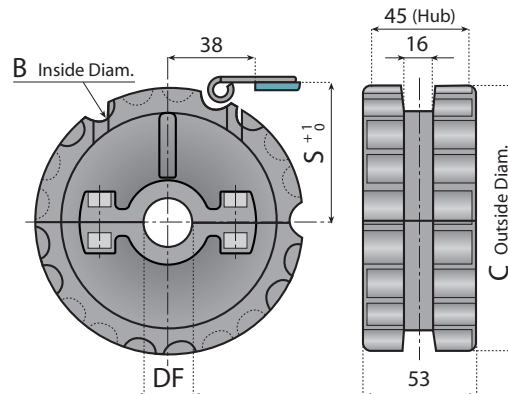
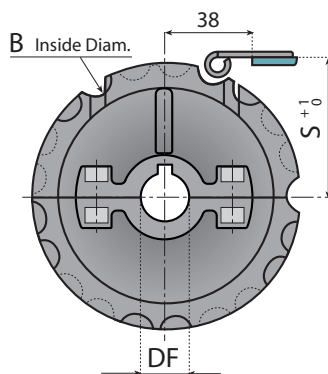
Material: polyamide.

Features:


- Maximum keyway load.

 Pages
32 - 33
48 - 54


 Page
340



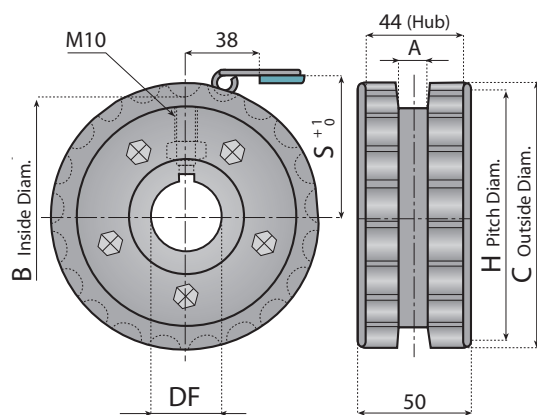
Z	C mm	B mm	S mm
21	129.0	116.1	67.8
23	142.0	128.1	73.8
25	154.0	140.1	79.8

 SPLIT SPROCKETS - Fixed				
Ø 25	Ø 30	Ø 35	Ø 40	Ø 45
Part number				
12057N	12058N	12059N	12060N	12095N
12104N	12105N	12106N	12107N	-
12069N	12070N	12071N	12072N	12096N


Material: reinforced polyamide, screws in stainless steel, nuts in nickel plated brass, DIN 6885 key seat.

 SPLIT IDLER WHEELS - Floating				
Ø 25	Ø 30	Ø 35	Ø 40	Ø 45
Part number				
121095N	121096N	121097N	121098N	121099N
121100N	121101N	121102N	121103N	-
121105N	121106N	121107N	121108N	121109N

Material: polyamide, screws in stainless steel, nuts in nickel plated brass.



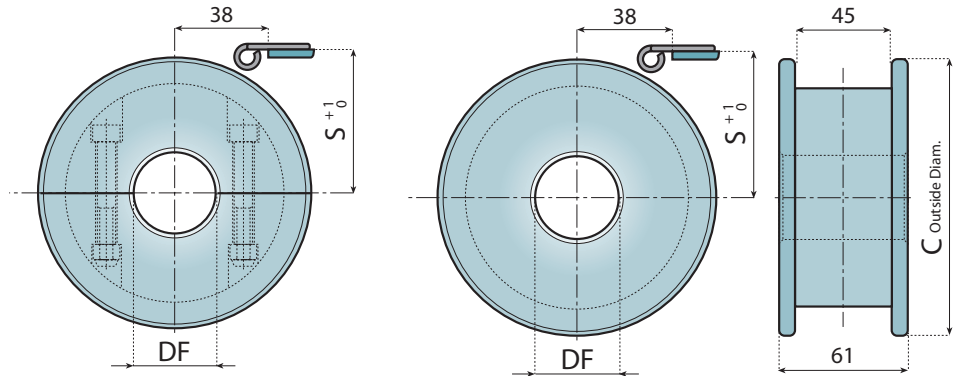
Z	A mm	B mm	C mm	H mm	S mm
17	13.00	92.30	103.90	105.47	55.90
19	16.00	104.20	117.00	117.34	61.90
21	16.00	116.10	129.00	129.26	67.8
23	16.00	128.10	142.00	141.21	73.8
25	16.00	140.10	154.00	153.21	79.8

 DRIVE SPROCKETS - Tight			
Ø 25	Ø 30	Ø 35	Ø 40
Part number			
12276	12277	-	-
12660	12661	12662	12663
12664	12665	12666	12667
12668	12669	12670	12671
12672	12673	12674	12675


Material: reinforced polyamide, screws in stainless steel, DIN 6885 key seat.

Features:


- Completely closed structure, easier to clean and to disinfect
- Recyclable.
- Quickly replaceable.



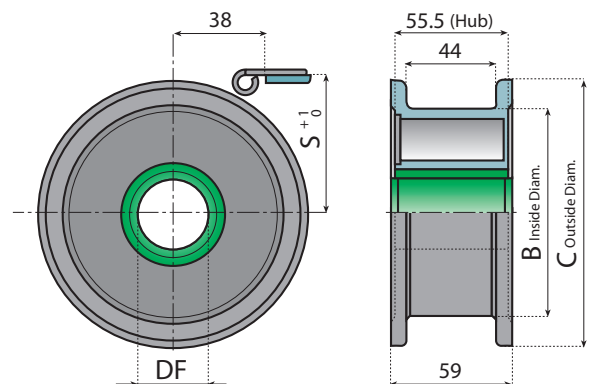
Z equiv.	C mm	S mm
17	104.0	56.2
19	117.0	62.6
21	129.8	68.6
23	142.2	74.6
25	154.7	80.5
27	167.2	86.5
29	179.3	92.8

 SPLIT IDLER WHEELS - Floating					
Ø 20	Ø 25	Ø 30	Ø 35	Ø 40	
Part number					
12608	12609	12610	12611	12612	
12613	12614	12615	12616	12618	
12617	12619	12620	12621	12622	
12623	12624	12625	12626	12627	
12628	12629	12630	12631	12632	
121357	121358	121359	121360	121361	
121362	121363	121364	121365	121366	


Material: polyamide, screws in stainless steel, nuts in zinc plated steel.


 ONE PIECE IDLER WHEELS - Floating					
Ø 20	Ø 25	Ø 30	Ø 35	Ø 40	
Part number					
12633	12634	12635	12636	12637	
12638	12639	12640	12641	12642	
12643	12644	12645	12646	12647	
12648	12649	12650	12651	12652	
12653	12654	12655	12656	12657	
121367	121368	121369	121370	121371	
121372	121373	121374	121375	121376	

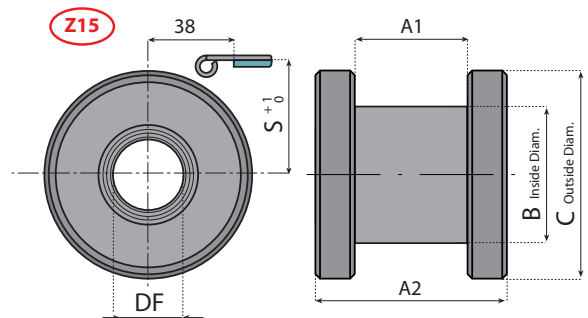
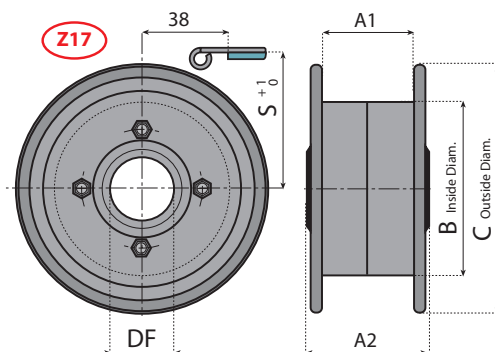
Material: polyamide.



Material: ultrasonic welded cover in reinforced polyamide.
Bushing in Low Friction and low corrosion resin.
Idler body in self-lubricating polyamide.
Colour: black and green.

 IDLER WHEELS - Floating				
Z equiv.	B mm	C mm	S mm	
21	103.5	129.5	68.6	
23	103.5	143.0	74.6	
25	122.0	154.5	80.5	

 IDLER WHEELS - Floating				
Ø 25	Ø 30	Ø 35	Ø 40	
Part number				
12866	12867	12868	12869	
12874	12875	12876	12877	
12870	12871	12872	12873	



Material: self-lubricating polyamide, screw in zinc plated steel (Z17).

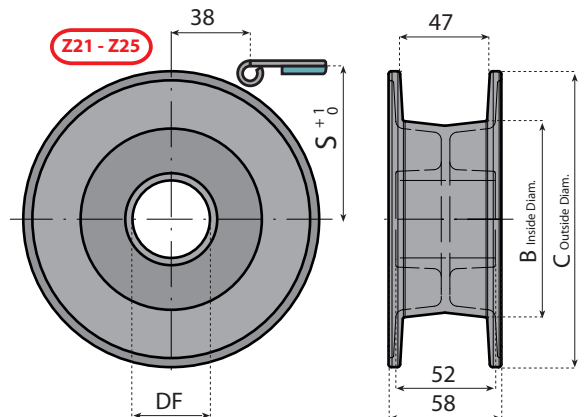
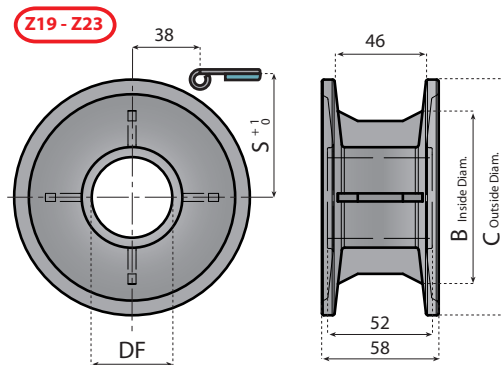
Colour: black

Notes: reinforced version, high wear and chemical resistance, recyclable.

Z equiv.	A1 mm	A2 mm	B mm	C mm	S mm
15	48	83	58	90	48.2
17	44	52	71	106	56.2

IDLER WHEELS - Floating

Ø 25	Ø 30	Ø 35	Ø 40	Ø 45
Part number				
-	12676	12677	12678	12679
12278	12279	-	-	-



Material: self-lubricating polyamide.

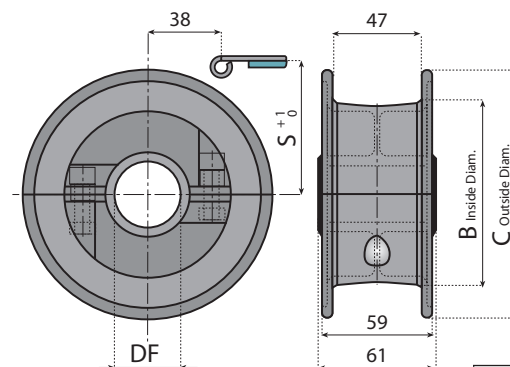
Colour: black.

Notes: reinforced version, high wear and chemical resistance, recyclable.

Z equiv.	C mm	S mm
19	117.0	62.6
21	129.8	68.6
23	142.2	74.6
25	154.7	80.5

IDLER WHEELS - Floating

Ø 25	Ø 30	Ø 35	Ø 40
Part number			
12208B	12209B	12210B	12211B
12200B	12201B	12202B	12203B
12212B	12213B	12214B	12215B
12204B	12205B	12206B	12207B



Material: self-lubricating polyamide, screws in stainless steel.

Colour: black.

Notes: quickly replaceable, reinforced version, high wear and chemical resistance, recyclable.

Z equiv.	B mm	C mm	S mm
21	97.0	129.8	68.6
23	99.5	142.2	74.6
25	102.0	154.7	80.5

SPLIT IDLER WHEELS - Floating

Ø 25	Ø 30	Ø 35	Ø 40
Part number			
12077B	12078B	12079B	12080B
121928B	121929B	121930B	121931B
12081B	12082B	12083B	12084B

Features:

- Completely closed structure, easier to clean and to disinfect.
- Split versions: quick and easy replacement.

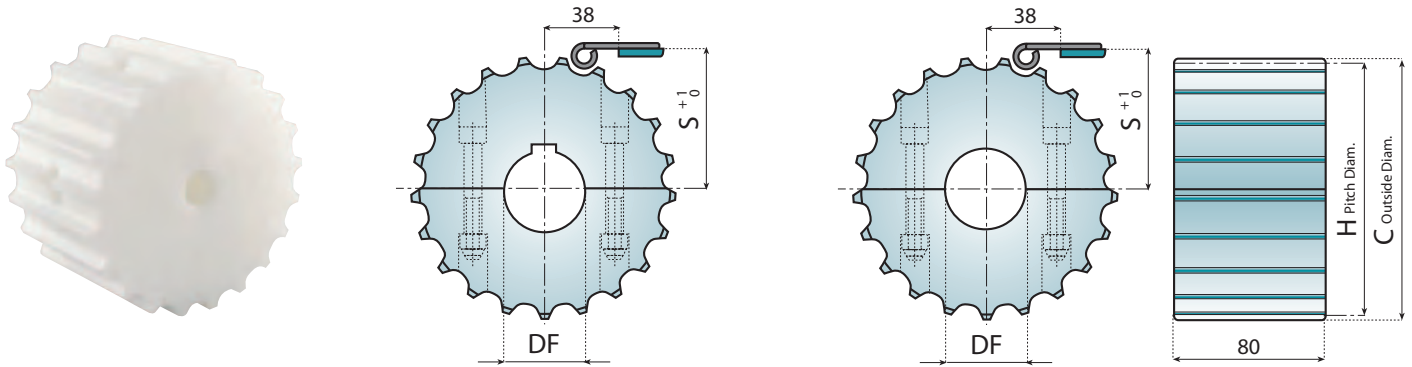
• Sprockets and idler wheels made of Steel on request.



Pages
34 - 46 - 54



Page
340



SPLIT SPROCKETS - Fixed				
Z	C mm	H mm	S mm	
19	117.00	117.34	61.90	
21	129.00	129.26	67.80	
23	142.00	141.21	73.80	
25	154.00	153.21	79.80	
27	166.80	165.20	85.80	
29	178.50	177.24	91.80	

Ø 25	Ø 30	Ø 35	Ø 40
Part number			
12280	12281	12282	12283
12284	12285	12286	12287
12288	12289	12290	12291
12292	12293	12294	12295
121308	121309	121310	121311
121313	121314	121315	121316

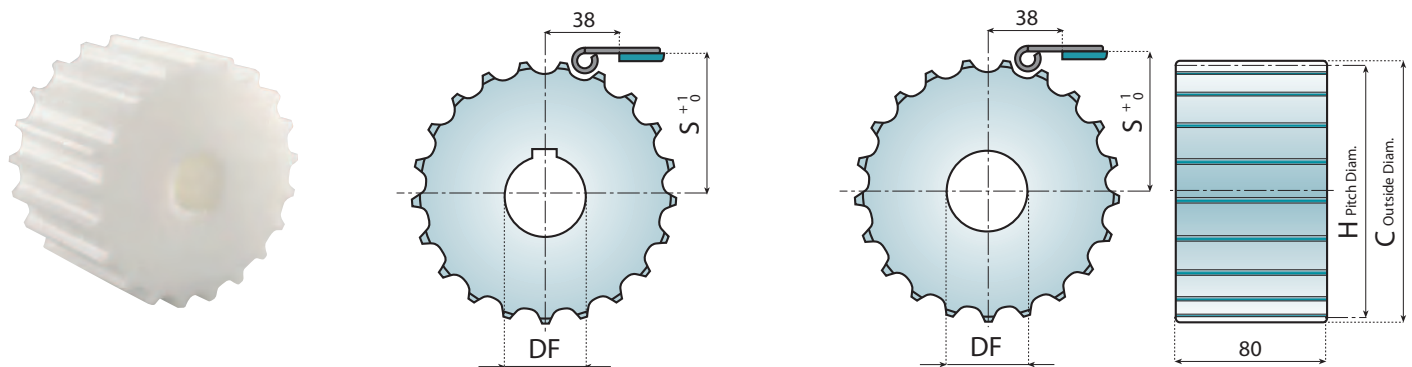
Material: polyamide, screws in stainless steel, nuts in zinc plated steel, DIN 6885 key seat.

SPLIT IDLER WHEELS - Floating				
Z	C mm	H mm	S mm	
19	117.00	117.34	61.90	
21	129.00	129.26	67.80	
23	142.00	141.21	73.80	
25	154.00	153.21	79.80	
27	166.80	165.20	85.80	
29	178.50	177.24	91.80	

Ø 18*	Ø 25	Ø 30	Ø 35	Ø 40
Part number				
12900	121325	121326	121327	121328
12901	121329	121330	121331	121332
12902	121333	121334	121335	121336
12903	121337	121338	121339	121340
121307	121341	121342	121343	131344
121312	121345	121346	121347	131348

Material: polyamide, screws in stainless steel, nuts in zinc plated steel.

*Plain Bore



ONE PIECE SPROCKETS - Tight				
Z	C mm	H mm	S mm	
19	117.00	117.34	61.90	
21	129.00	129.26	67.80	
23	142.00	141.21	73.80	
25	154.00	153.21	79.80	
27	166.80	165.20	85.80	
29	178.50	177.24	91.80	

Ø 25	Ø 30	Ø 35	Ø 40
Part number			
12296	12297	12298	12299
12437	12438	12439	12440
12441	12442	12443	12444
12445	12446	12447	12448
121317	121318	121319	121320
121321	121322	121323	121324

Material: polyamide, DIN 6885 key seat.

ONE PIECE IDLER WHEELS - Floating				
Z	C mm	H mm	S mm	
19	117.00	117.34	61.90	
21	129.00	129.26	67.80	
23	142.00	141.21	73.80	
25	154.00	153.21	79.80	
27	166.80	165.20	85.80	
29	178.50	177.24	91.80	

Ø 18*	Ø 25	Ø 30	Ø 35	Ø 40
Part number				
12449G	12449	12450	12451	12452
12453G	12453	12454	12455	12456
12457G	12457	12458	12459	12460
12461G	12461	12462	12463	12464
121349G	121349	121350	121351	121352
121353G	121353	121354	121355	121356

Material: polyamide.

*Plain Bore

Features:

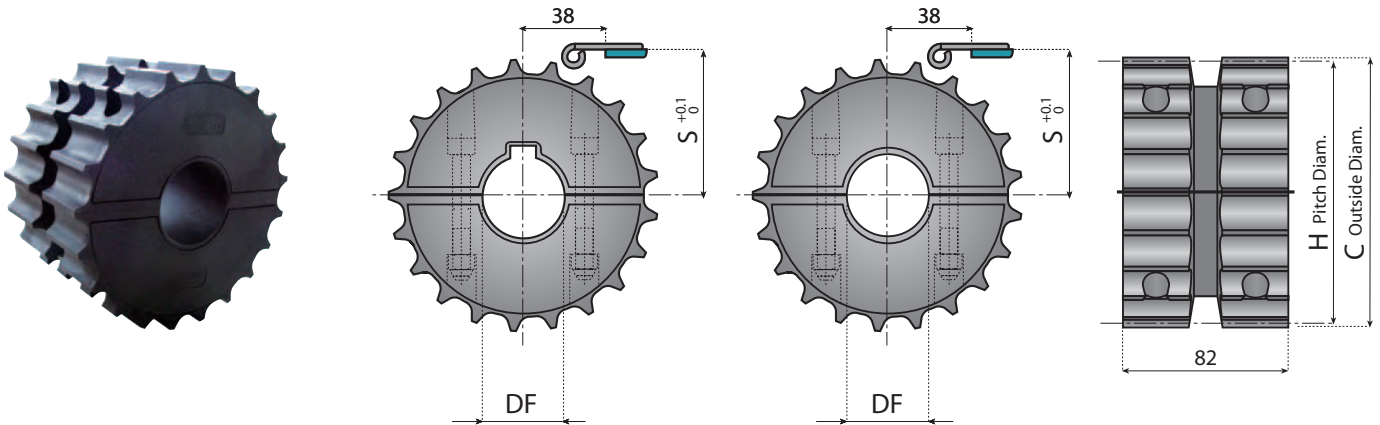
- Molded sprocket.
- Molded covers for easy cleaning.
- Quick and easy replacement.



Pages
34 - 46 - 54



Page
340



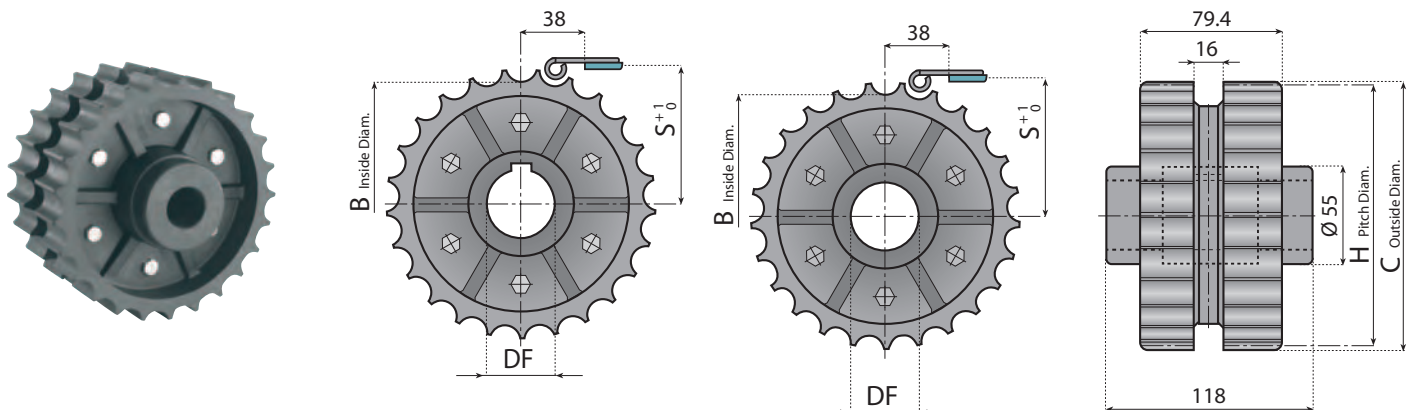
SPLIT SPROCKETS - Fixed			
Ø 30	Ø 35	Ø 40	
Part number			
121938	121939	131940	

SPLIT IDLER WHEELS - Floating			
Ø 30	Ø 35	Ø 40	
Part number			
121941	121942	121943	

Z	C mm	H mm	S mm
21	129.0	129.26	67.8

Material: polyamide, screws in stainless steel, nuts in zinc plated steel, DIN 6885 key seat.

Material: polyamide, screws in stainless steel, nuts in zinc plated steel.



DRIVE SPROCKETS - Tight				
Ø 25	Ø 30	Ø 35	Ø 40	
Part number				
12085	12086	12087	12088	

IDLER WHEELS - Floating				
Ø 25	Ø 30	Ø 35	Ø 40	
Part number				
12089	12090	12091	12092	

Z	B mm	C mm	H mm	S mm
25	140.1	154.0	153.2	79.8

Material: reinforced polyamide, screws in stainless steel, DIN 6885 key seat.

Material: self-lubricating polyamide, screws in stainless steel.

Features:

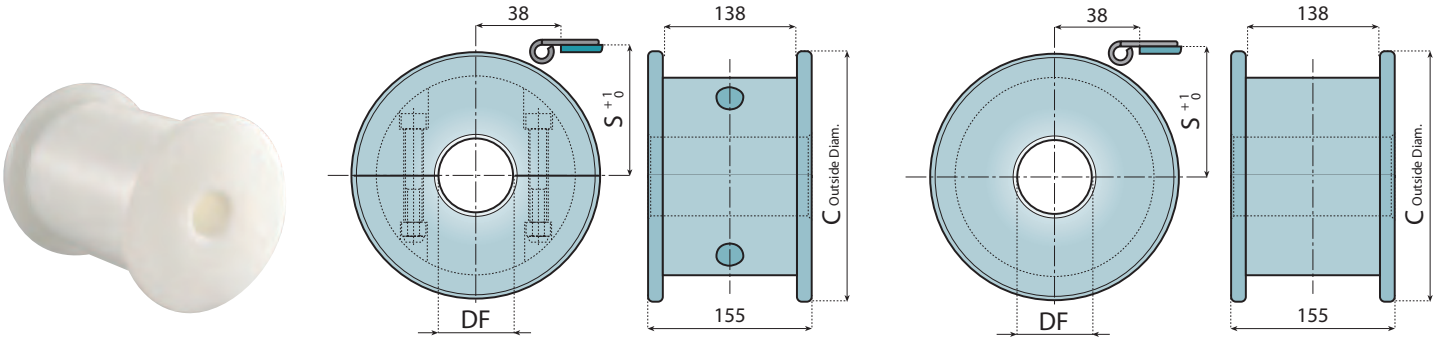
- Completely closed structure, easier to clean and to disinfect
- Recyclable.
- Quickly replaceable.




Pages
34 - 46 - 54




Page
340



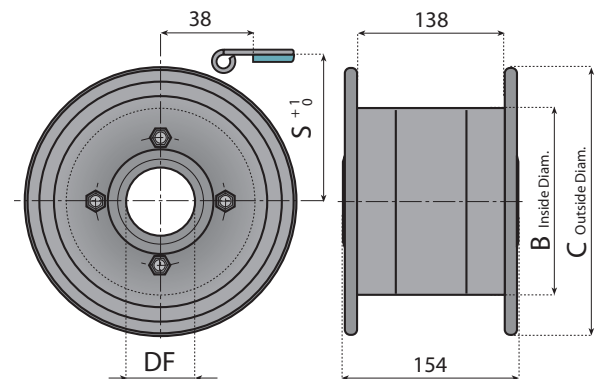
Z equiv.	C mm	S mm
19	117.0	62.6
21	129.8	68.6
23	142.2	74.6
25	154.7	80.5


 SPLIT IDLER WHEELS - Floating			
Ø 30	Ø 35	Ø 40	
Part number			
12220	12221	12222	
12223	12224	12225	
12226	12227	12228	
12229	12230	12231	

Material: polyamide, screws in stainless steel, nuts in zinc plated steel.

 ONE PIECE IDLER WHEELS - Floating			
Ø 30	Ø 35	Ø 40	
Part number			
12232	12233	12234	
12235	12236	12237	
12238	12239	12240	
12241	12242	12243	

Material: polyamide.



 IDLER WHEELS - Floating				
Z equiv.	B mm	C mm	S mm	
Ø 25	Ø 30	Ø 35	Ø 40	
Part number				
19	80.0	118.0	62.6	121632
21	80.0	129.8	68.6	121633
23	108.0	142.5	74.6	121634
25	108.0	155.0	80.5	121635
				121636
				121637
				121638
				121639
				121640
				121641
				121642
				121643
				121644
				121645
				121646
				121647

Material: polyamide, screws in stainless steel.

Features:

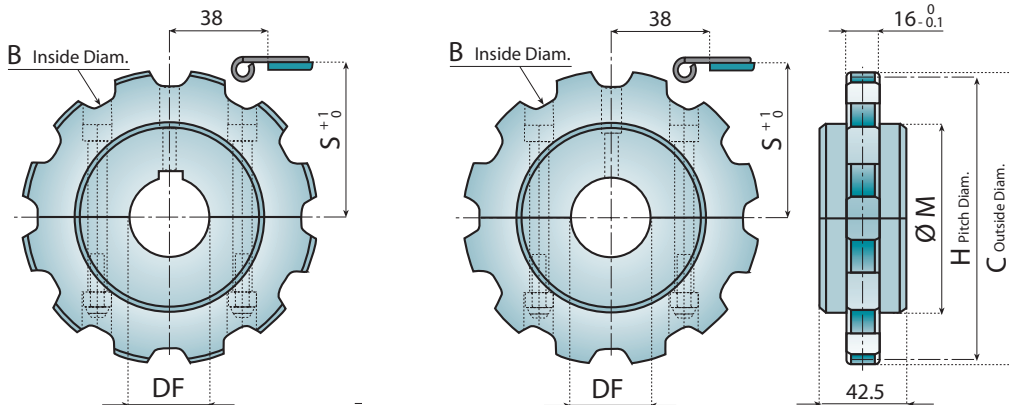
- Completely closed structure, easier to clean and to disinfect.
- Quickly replaceable.



Pages
33 - 36 - 37 - 38 - 39
40 - 49 - 56 - 57 - 62 - 63



Pages
340



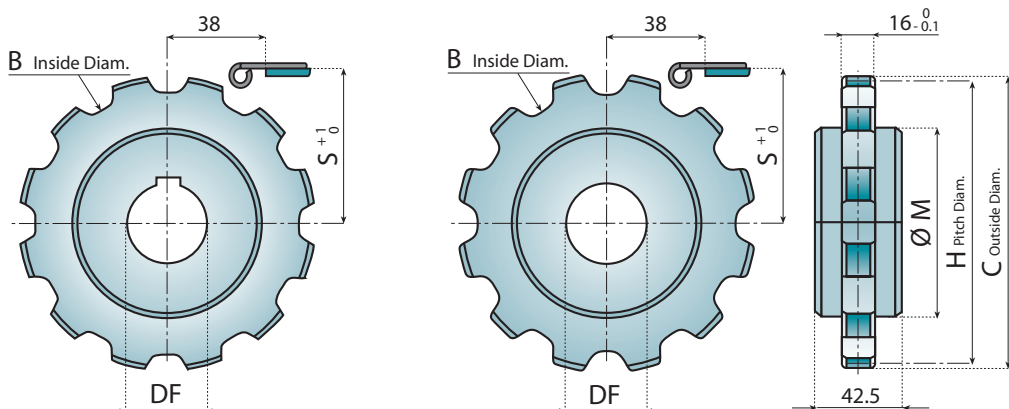
Z	C mm	H mm	B mm	M mm	S mm
9	110.00	111.40	95.00	92.00	59.30
10	122.00	123.30	107.00	88.00	65.25
11	135.00	135.20	119.00	92.00	71.20
12	147.30	147.20	131.00	105.00	77.20

SPLIT SPROCKETS - Fixed				
Ø 25	Ø 30	Ø 35	Ø 40	
Part number				
12382	12383	12384	12385	
12386	12387	12388	12389	
12390	12391	12392	12393	
12394	12395	12396	12397	

SPLIT IDLER WHEELS - Floating				
Ø 18*	Ø 25	Ø 30	Ø 35	Ø 40
Part number				
12910	121752	121753	121754	121755
12911	121756	121757	121758	121759
12912	121760	121761	121762	121763
12913	121764	121765	121766	121767

Material: polyamide, screws in stainless steel, nuts in zinc plated steel, DIN 6885 key seat.

Material: polyamide, screws in stainless steel, nuts in zinc plated steel, *Plain Bore



Z	C mm	H mm	B mm	M mm	S mm
9	110.00	111.40	95.00	92.00	59.30
10	122.00	123.30	107.00	88.00	65.25
11	135.00	135.20	119.00	92.00	71.20
12	147.30	147.20	131.00	105.00	77.20

ONE PIECE SPROCKETS - Tight				
Ø 25	Ø 30	Ø 35	Ø 40	
Part number				
12398	12399	12407	12408	
12409	12410	12411	12412	
12413	12414	12415	12416	
12417	12418	12419	12420	

ONE PIECE IDLER WHEELS - Floating				
Ø 18*	Ø 25	Ø 30	Ø 35	Ø 40
Part number				
12421G	12421	12422	12423	12424
12425G	12425	12426	12427	12428
12429G	12429	12430	12431	12432
12433G	12433	12434	12435	12436

Material: polyamide, DIN 6885 key seat.

Material: polyamide

*Plain Bore

Features:

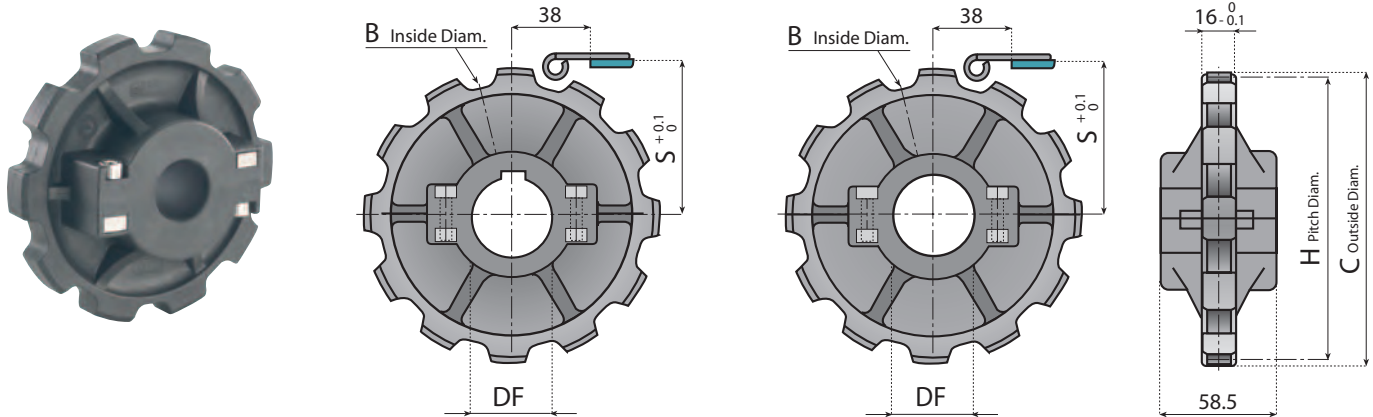
- Quick and easy replacement.
- High strength.



Pages
33 - 36 - 37 - 38 - 39
40 - 49 - 56 - 57 - 62 - 63



Page
340



Z	B mm	C mm	H mm	S mm
10	107.00	122.00	123.30	65.25
12	131.00	147.00	146.80	77.20

SPLIT SPROCKETS - Fixed				
Ø 25	Ø 30	Ø 35	Ø 40	
Part number				
121001	121002	121003	121004	
12400	12711	12401	12402	

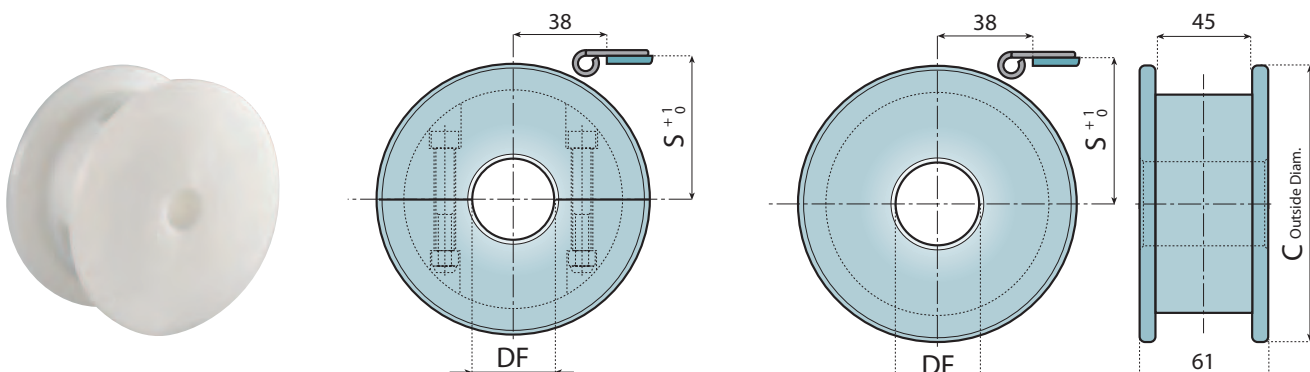
Material: reinforced polyamide, screws in stainless steel, nuts in nickel plated brass, DIN 6885 key seat.

SPLIT IDLER WHEELS - Floating				
Ø 25	Ø 30	Ø 35	Ø 40	
Part number				
121005	121006	121007	121008	
12403	12404	12405	12406	

Material: polyamide, screws in stainless steel, nuts in nickel plated brass.

IDLER WHEELS

828 - 879 - 879 M - 880 - 880 M



Z equiv.	C mm	S mm
9	117.0	62.6
10	129.8	68.6
11	142.2	74.6
12	154.7	80.5

SPLIT IDLER WHEELS - Floating					
Ø 20	Ø 25	Ø 30	Ø 35	Ø 40	
Part number					
12613	12614	12615	12616	12618	
12617	12619	12620	12621	12622	
12623	12624	12625	12626	12627	
12628	12629	12630	12631	12632	

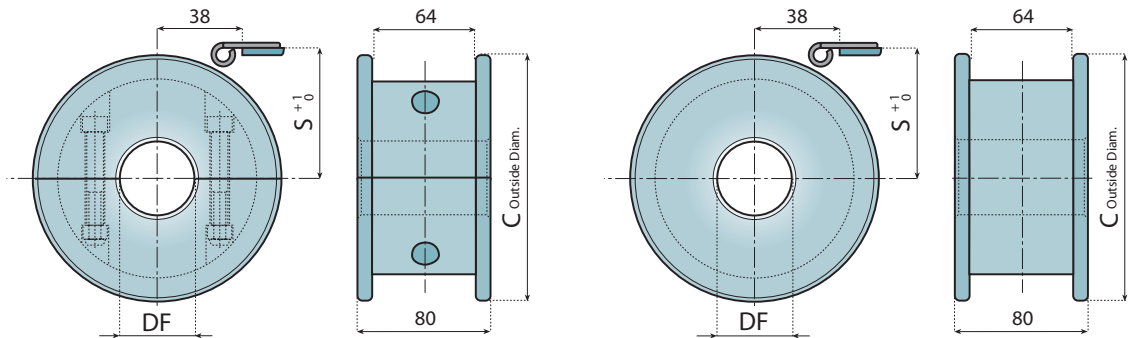
Material: polyamide, screws in stainless steel, nuts in zinc plated steel.


ONE PIECE IDLER WHEELS - Floating					
Ø 20	Ø 25	Ø 30	Ø 35	Ø 40	
Part number					
12638	12639	12640	12641	12642	
12643	12644	12645	12646	12647	
12648	12649	12650	12651	12652	
12653	12654	12655	12656	12657	


Material: polyamide.

Features:

- Completely closed structure, easier to clean and to disinfect.
- Recyclable.
- Quickly replaceable.



 SPLIT IDLER WHEELS - Floating					
Z equiv.	C mm	S mm	Ø 20	Ø 25	Ø 30
Part number					
9	117.0	62.6	121447	121448	121449
10	129.8	68.6	121452	121453	121454
11	142.2	74.6	121457	121458	121459
12	154.7	80.5	121462	121463	121464


 ONE PIECE IDLER WHEELS - Floating					
Z equiv.	C mm	S mm	Ø 20	Ø 25	Ø 30
Part number					
9	117.0	62.6	121467	121468	121469
10	129.8	68.6	121472	121473	121474
11	142.2	74.6	121477	121478	121479
12	154.7	80.5	121482	121483	121484

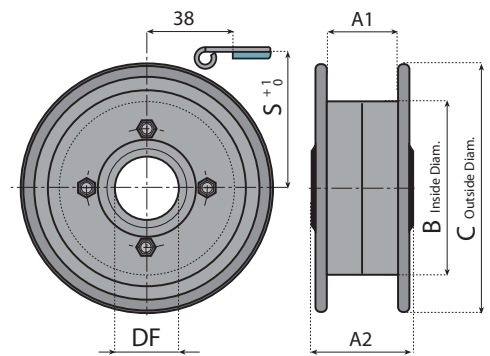
Material: polyamide, screws in stainless steel, nuts in zinc plated steel.

Material: polyamide.



Material: self-lubricating polyamide, screws in zinc plated steel.
Application: chains series 879 - 879 M 880 - 880 M


 IDLER WHEELS FOR NON TAB CHAINS - Floating				
Z equiv.	A1 mm	A2 mm	B mm	C mm
Part number				
8	44.0	52.0	71.0	106.0
9	44.0	60.0	80.0	118.5
10	44.0	60.0	80.0	129.8
11	44.0	60.0	108.0	142.5
12	44.0	60.0	108.0	155.0

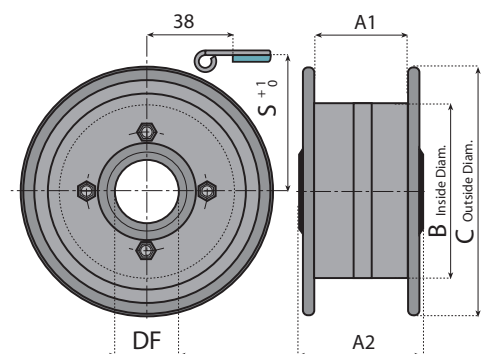


Z equiv.	A1 mm	A2 mm	B mm	C mm	S mm
8	44.0	52.0	71.0	106.0	56.2
9	44.0	60.0	80.0	118.5	63.5
10	44.0	60.0	80.0	129.8	68.6
11	44.0	60.0	108.0	142.5	74.6
12	44.0	60.0	108.0	155.0	80.5



Material: self-lubricating polyamide, screws in zinc plated steel.
Application: chains series 878 TAB - 879 TAB - 880 TAB

 IDLER WHEELS FOR TAB CHAINS - Floating				
Z equiv.	A1 mm	A2 mm	B mm	C mm
Part number				
9	64.0	80.0	80.0	118.5
10	64.0	80.0	80.0	129.8
11	64.0	80.0	108.0	142.5
12	64.0	80.0	108.0	155.0



Z equiv.	A1 mm	A2 mm	B mm	C mm	S mm
9	64.0	80.0	80.0	118.5	63.5
10	64.0	80.0	80.0	129.8	68.6
11	64.0	80.0	108.0	142.5	74.6
12	64.0	80.0	108.0	155.0	80.5

Features:

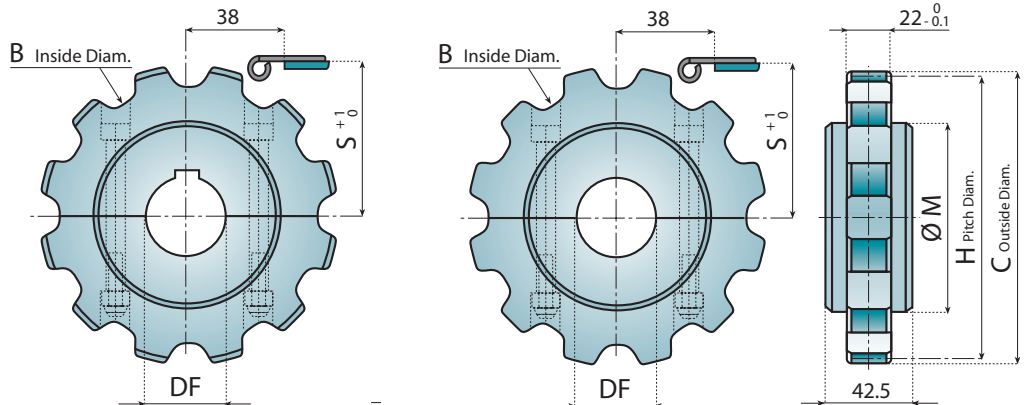
- Completely closed structure, easier to clean and to disinfect.
- Quickly replaceable.



Pages
35 - 41 - 42 - 43 - 47 - 50
51 - 52 - 55 - 57 - 58



Page
340



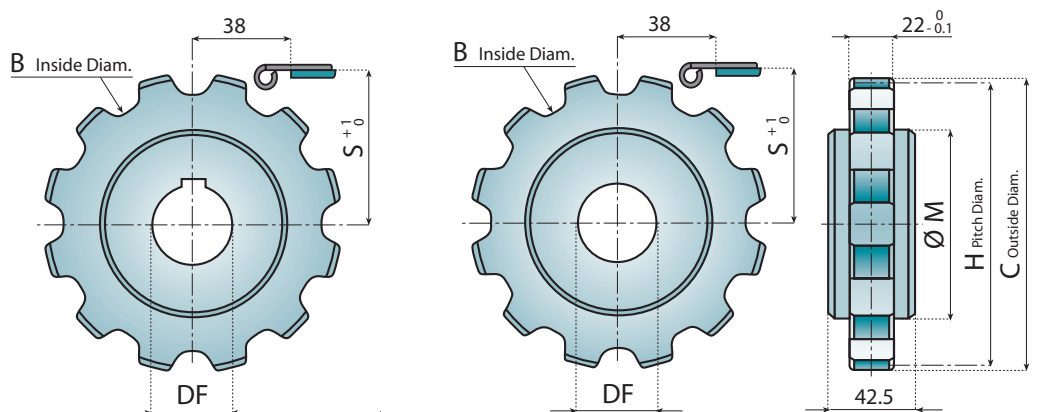
Z	C mm	H mm	B mm	M mm	S mm
9	112.0	111.4	92.1	65.0	60.5
10	125.0	123.2	104.0	75.0	66.4
11	137.0	135.2	116.0	85.0	72.4
12	149.0	147.2	127.9	90.0	78.4

SPLIT SPROCKETS - Fixed		
Ø 30	Ø 35	Ø 40
Part number		
12346	12347	12348
12349	12350	12351
12352	12353	12354
12355	12356	12357

Material: polyamide, screws in stainless steel, nuts in zinc plated steel, DIN 6885 key seat.

SPLIT IDLER WHEELS - Floating			
Ø 18*	Ø 30	Ø 35	Ø 40
Part number			
12914	121768	121769	121770
12915	121771	121772	121773
12916	121774	121775	121776
12917	121777	121778	121779

Material: polyamide, screws in stainless steel, nuts in zinc plated steel.
***Plain Bore**



Z	C mm	H mm	B mm	M mm	S mm
9	112.0	111.4	92.1	65.0	60.5
10	125.0	123.2	104.0	75.0	66.4
11	137.0	135.2	116.0	85.0	72.4
12	149.0	147.2	127.9	90.0	78.4

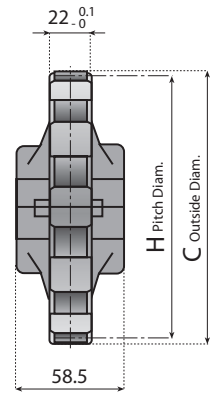
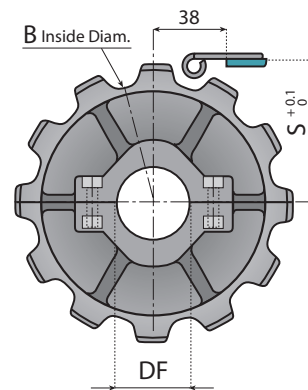
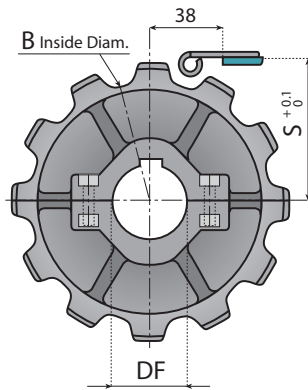
ONE PIECE SPROCKETS - Tight		
Ø 30	Ø 35	Ø 40
Part number		
12370	12371	12372
12373	12374	12375
12376	12377	12378
12379	12380	12381

Material: polyamide, DIN 6885 key seat.

ONE PIECE IDLER WHEELS - Floating			
Ø 18*	Ø 30	Ø 35	Ø 40
Part number			
12358G	12358	12359	12360
12361G	12361	12362	12363
12364G	12364	12365	12366
12367G	12367	12368	12369

Material: polyamide.

***Plain Bore**



Pages
35 - 41 - 42 - 43 - 47 - 50
51 - 52 - 55 - 57 - 58



Page
340

Z	B mm	C mm	H mm	S mm
10	104.0	125.0	123.3	65.4
12	128.0	149.2	147.2	78.5

SPLIT SPROCKETS - Fixed				
Ø 25	Ø 30	Ø 35	Ø 40	
Part number				
121009	121010	121011	121012	
12114	12115	12116	12117	

SPLIT IDLER WHEELS - Floating				
Ø 25	Ø 30	Ø 35	Ø 40	
Part number				
121013	121014	121015	121016	
12119	12120	12121	12122	

Material: reinforced polyamide, screws in stainless steel, nuts in nickel plated brass, DIN 6885 key seat.

Material: polyamide, screws in stainless steel, nut in nickel plated brass.

882 M - 8257 - LBP 8257 - LBP 882 M

IDLER WHEELS

Features:

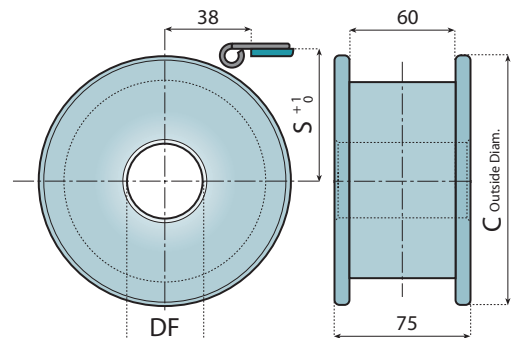
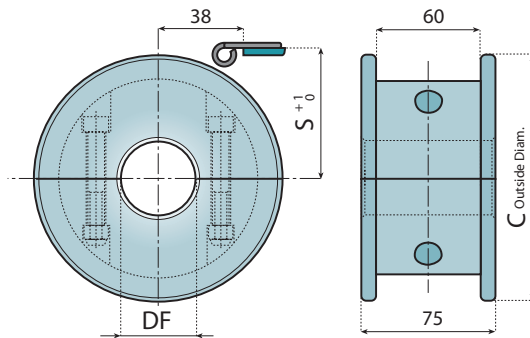
- Completely closed structure, easier to clean and to disinfect.
- Recyclable.
- Quickly replaceable.



Pages
35 - 41 - 42 - 43 - 47 - 50
51 - 52 - 55 - 57 - 58



Page
340



Z equiv.	C mm	S mm
9	117.0	62.6
10	129.8	68.6
11	142.2	74.6
12	154.7	80.5

SPLIT IDLER WHEELS - Floating					
Ø 20	Ø 25	Ø 30	Ø 35	Ø 40	
Part number					
121382	121383	121384	121385	121386	
121387	121388	121389	121390	121391	
121392	121393	121394	121395	121396	
121397	121398	121399	121400	121401	

ONE PIECE IDLER WHEELS - Floating					
Ø 20	Ø 25	Ø 30	Ø 35	Ø 40	
Part number					
121417	121418	121419	121420	121421	
121422	121423	121424	121425	121426	
121427	121428	121429	121430	121431	
121432	121433	121434	121435	121436	

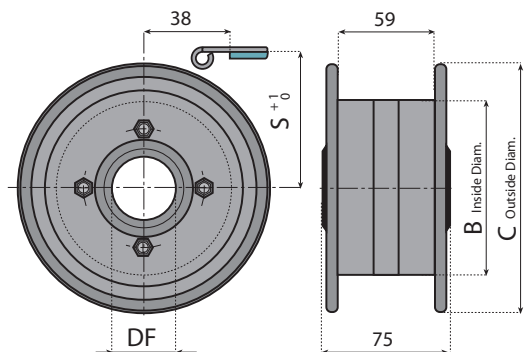
Material: polyamide, screws in stainless steel, nuts in zinc plated steel.

Material: polyamide.



Z equiv.	B mm	C mm	S mm
9	80.0	118.0	62.6
10	80.0	129.8	68.6
11	108.0	142.5	74.6
12	108.0	155.0	80.5

SPLIT IDLER WHEELS - Floating				
Ø 25	Ø 30	Ø 35	Ø 40	
Part number				
121600	121601	121602	121603	
121604	121605	121606	121607	
121608	121609	121610	121611	
121612	121613	121614	121615	



Material: self-lubricating polyamide, screws in zinc plated steel.

IDLER WHEELS

882 TAB

Features:

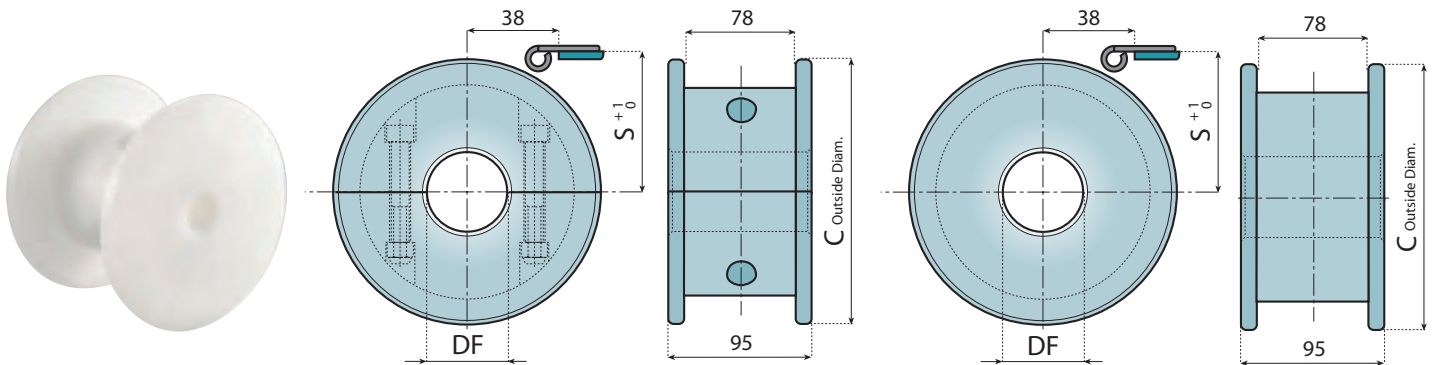
- Completely closed structure, easier to clean and to disinfect
- Recyclable.
- Quickly replaceable.



Pages
42 - 50
51 - 57



Page
340



Z equiv.	C mm	S mm	SPLIT IDLER WHEELS - Floating				
			Ø 20	Ø 25	Ø 30	Ø 35	Ø 40
			Part number				
9	117.0	63.8	121487	121488	121489	121490	121491
10	129.8	69.5	121492	121493	121494	121495	121496
11	142.2	75.9	121497	121498	121499	121500	121501
12	154.7	82.1	121502	121503	121504	121505	121506

Material: polyamide, screws in stainless steel, nuts in zinc plated steel.

Z equiv.	C mm	S mm	ONE PIECE IDLER WHEELS - Floating				
			Ø 20	Ø 25	Ø 30	Ø 35	Ø 40
			Part number				
9	117.0	63.8	121507	121508	121509	121510	121511
10	129.8	69.5	121512	121513	121514	121515	121516
11	142.2	75.9	121517	121518	121519	121520	121521
12	154.7	82.1	121522	121523	121524	121525	121526

Material: polyamide.

IDLER WHEELS

882 TAB



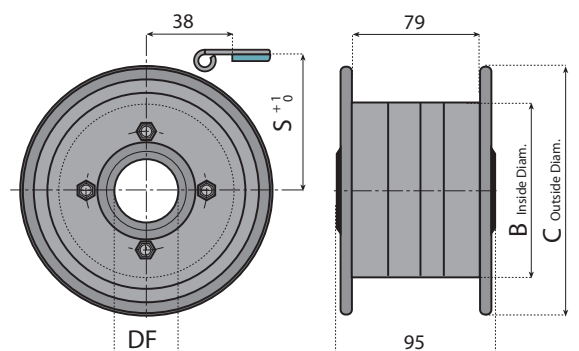
Pages
42 - 50
51 - 57



Page
340

Z equiv.	B mm	C mm	S mm	SPLIT IDLER WHEELS - Floating			
				Ø 25	Ø 30	Ø 35	Ø 40
				Part number			
10	80.0	129.8	68.6	121648	121649	121650	121651
12	108.0	155.0	80.5	121652	121653	121654	121655

Material: self-lubricating polyamide, screws in zinc plated steel.
Application: chains series 882 TAB - LBP 882 TAB in zinc plated steel.



Features:

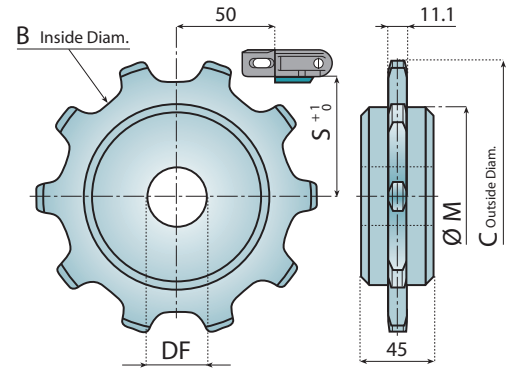
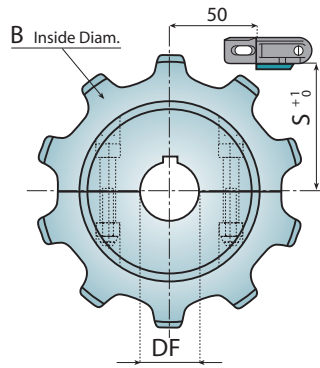
- Completely closed structure, easier to clean and to disinfect.
- Recyclable.
- Quickly replaceable.



Pages
76→82



Page
340



SPLIT SPROCKETS - Fixed					
Z	C mm	B mm	M mm	S mm	
8	136.3	106.8	80.0	53.0	
10	165.1	136.8	110.0	69.0	
13	215.0	186.6	150.0	93.5	

SPLIT SPROCKETS - Fixed					
Ø 20*	Ø 25	Ø 30	Ø 35	Ø 40	
Part number					
12730	12731	12732	12733	12734	
12745	12746	12747	12748	12749	
12750	12751	12752	12753	12754	

ONE PIECE IDLER WHEELS - Floating					
Z	C mm	B mm	M mm	S mm	
8	136.3	106.8	80.0	53.0	
10	165.1	136.8	110.0	69.0	
13	215.0	186.6	150.0	93.5	

ONE PIECE IDLER WHEELS - Floating					
Ø 20*	Ø 25	Ø 30	Ø 35	Ø 40	
Part number					
12735	12736	12737	12738	13739	
12740	12741	12742	12743	12744	
12755	12756	12757	12758	12759	

Material: polyamide, screws in stainless steel, nuts in zinc plated steel, DIN 6885 key seat. *Plain Bore

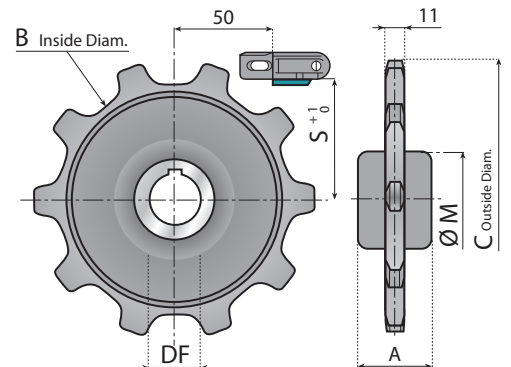
Material: polyamide.



Z	A mm	B mm	C mm	M mm	S mm
8	42	106.8	136.3	55	53
10	43	136.8	165.1	65	69

DRIVE SPROCKETS - Tight	
Ø 25	Ø 30
Part number	
12786	12727
12721	12800

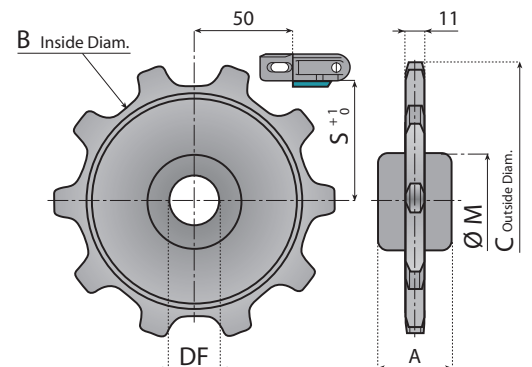
Material: reinforced polyamide, hub in brass (Z-10 only). DIN 6885 key seat.



Z	A mm	B mm	C mm	M mm	S mm
8	42	106.8	136.3	55	53
10	42	136.8	165.1	65	69

IDLER WHEELS - Floating	
Ø 25	Ø 30
Part number	
12728	12729
12724	12801

Material: self-lubricating polyamide.



IDLER WHEELS

CC600 - CC631



Pages
83 - 84

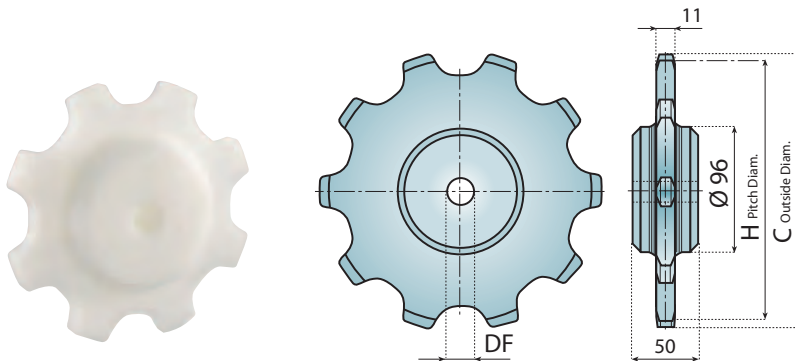


Page
340

Features:

- Sprockets are supplied with standard 20 mm bore and can be produced on request with a finished bore according to your drawing.

Application: chains series 600 - 631.



Z	C mm	H mm
8	172	166
10	215	205
12	256	246
14	297	286

SPROCKETS - Pre-bore	
Ø 20	
Part number	
12326	
12327	
12328	
12329	

Material: polyamide.

IDLER WHEELS

CC1400 V - CC1400 V TAB

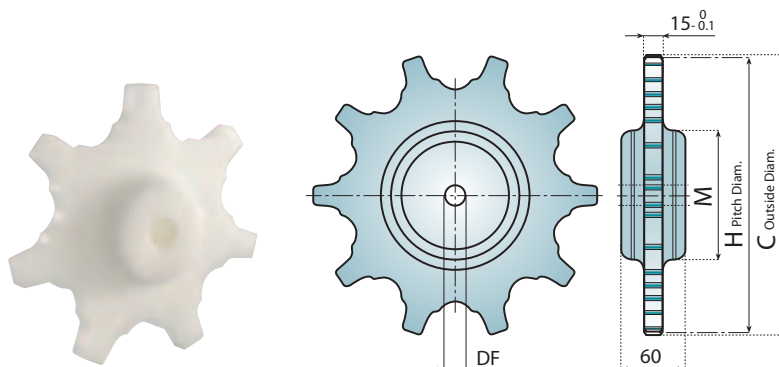
Features:

- Sprockets are supplied with standard 20 mm bore and can be produced on request with a finished bore according to your drawing.

Application: ONLY suitable for chains of our CC 1400-V series as shown on page 84 of this catalogue!



Page
340



Z	C mm	H mm	M mm
7	202	190	75
8	227.6	218	90
10	279	267	125

SPROCKETS - Pre-bore	
Ø 20	
Part number	
12331	
12332	
12334	

Material: polyamide.

SPROCKETS and IDLER WHEELS

CC1400 - CC1400 TAB - CC1431 TAB

Features:

- Sprockets are supplied with standard 20 mm bore and can be produced on request with a finished bore according to your drawing.

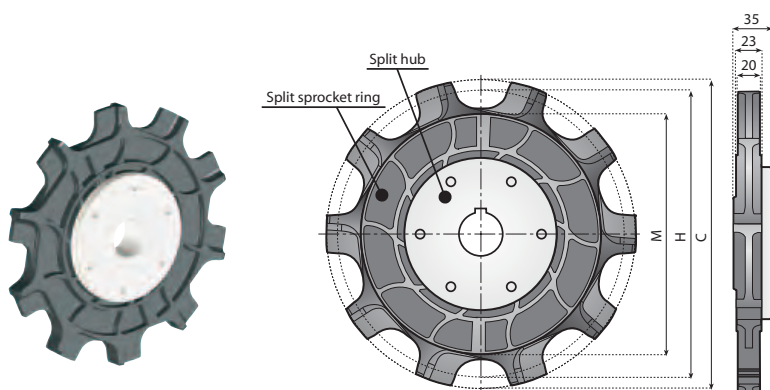
Application: ONLY suitable for chains of our CC 1400 series as shown on page 85 of this catalogue!



Page
85



Page
340



Z	C mm	H mm	M mm
10	276	267	224

SPLIT HUB - Tight		
Ø 20*	Ø 30	Ø 40
Part number		
12970V	12971V	12972V

*Plain Bore

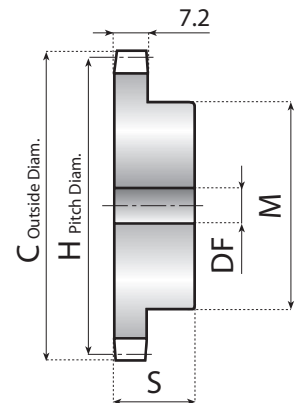
SPLIT SPROCKET RING	
Part number	
12973	

Material: hub: polyamide, ring: acetal



Z	C mm	H mm	M mm	S mm
13	57.40	53.00	37.00	28.00
15	65.50	61.09	45.00	28.00
17	73.60	69.11	52.00	28.00
19	81.70	77.16	60.00	28.00
21	89.70	85.22	68.00	28.00
23	98.20	93.27	70.00	28.00
25	105.80	101.33	70.00	28.00
27	114.00	109.40	70.00	28.00
29	122.00	117.46	80.00	30.00
31	130.20	125.54	90.00	30.00
33	138.40	133.60	90.00	30.00

ANSI - ONE PIECE SPROCKETS			
Ø 10	Ø 12	Ø 15	Ø 16
Part number			
12001A	-	-	-
12002A	-	-	-
12003A	-	-	-
-	12004A	-	-
-	12005A	-	-
-	12006A	-	-
-	12007A	-	-
-	-	12008A	-
-	-	12009A	-
-	-	-	12010A
-	-	-	12011A



Material: C 45 steel

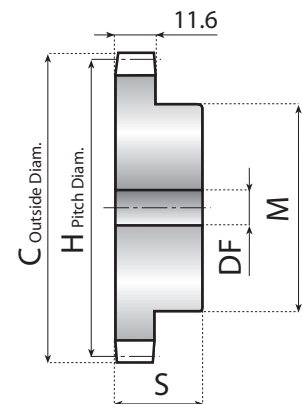
Note:

- Sprockets with Z = 15 and Z = 17 can only be used with 863 chains.
- Sprockets with Z = 19 can only be used with 863, 1863 and 1874 chains.



Z	C mm	H mm	M mm	S mm
15	99.80	91.63	70.00	35.00
17	111.50	103.67	80.00	35.00
19	124.20	115.75	80.00	35.00
21	136.00	127.82	90.00	40.00
23	149.00	139.90	90.00	40.00
25	160.00	152.00	90.00	40.00
27	172.30	164.09	95.00	40.00
29	184.10	176.19	95.00	40.00
31	196.30	188.31	100.00	40.00

ANSI - ONE PIECE SPROCKETS		
Ø 14	Ø 16	Ø 20
Part number		
12012A	-	-
-	12013A	-
-	12014A	-
-	-	12015A
-	-	12016A
-	-	12017A
-	-	12018A
-	-	12019A
-	-	12020A

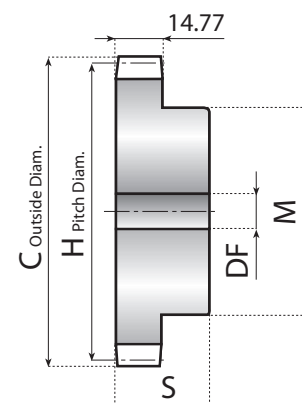


Material: C 45 steel



Z	C mm	H mm	M mm	S mm
15	134.62	122.17	92.00	40.00
17	151.13	138.23	100.00	45.00
19	167.39	154.32	100.00	45.00
21	183.90	170.42	110.00	50.00
23	200.15	186.53	110.00	50.00
25	216.41	202.66	110.00	50.00

ANSI - ONE PIECE SPROCKETS	
Ø 20	Ø 25
Part number	
12021A	-
-	12022A
-	12023A
-	12024A
-	12029A
-	12030A



Material: C 45 steel

SPROCKETS AND IDLER WHEELS FOR BELTS

<i>Series</i>	<i>Pages</i>
<u>2120 - K134</u>	<u>310 → 311</u>
<u>2121 (Version FT - FG - LBP)</u>	<u>312 → 314</u>
<u>2122 FG - 2120 (Version FT - FG - LBP)</u> <u>2121 - 2120M</u>	<u>315 → 316</u>
<u>2190 (Version FT - FG)</u>	<u>317</u>
<u>2250 (Version FT - FG - LBP)</u>	<u>318 → 320</u>
<u>2253</u>	<u>320</u>
<u>2251 - 2252 (Version FT - FG - LBP)</u>	<u>321 → 323</u>
<u>2250 - 2260 - 2251 (FT - FG)</u> <u>for TAB and magnetic chains/belts</u>	<u>324 → 325</u>
<u>2256</u>	<u>326</u>
<u>2351 - 2451 - 2551 - 2651</u> <u>2500 RR</u>	<u>327</u>
<u>2508 - 2630</u>	<u>328</u>

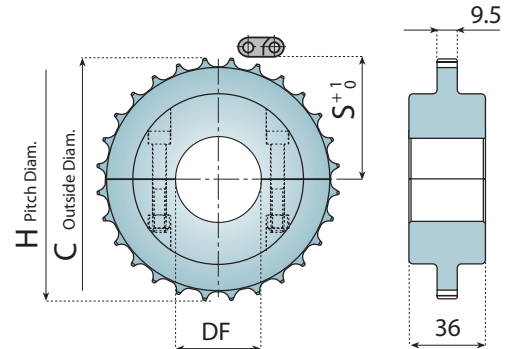
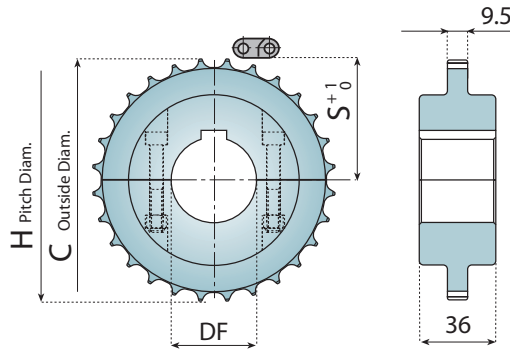
FEATURES:

- **EXCELLENT WEAR AND CHEMICAL RESISTANCE.**
- **REINFORCED DESIGN.**
- **COMPLETELY CLOSED STRUCTURE,
EASIER TO CLEAN AND TO DISINFECT**
- **THE DESIGN OF THE SPROCKET ENSURES
SMOOTH RUNNING AND LONG SERVICE LIFE.**

SPLIT VERSION:

- **QUICK AND EASY REPLACEMENT.**

Part numbers for drive sprockets are manufactured for a tight fit on the shaft.
To order single keyway sprockets capable of floating freely on the shaft, just add the letter "P" (=plus) to the existing part number. For example, code **125850FP**.



**SPLIT SPROCKETS
SINGLE KEYWAY - Fixed**

**SPLIT
IDLER WHEELS - Floating**

Z	C mm	H mm	S mm
28	115.40	113.40	52.40
36	147.70	145.70	68.50
38	155.80	153.80	72.60
40	163.85	161.85	76.60

Ø 25	Ø 30	Ø 35	Ø 40
Part number			
125850F	125851F	125852F	125853F
125854F	125855F	125856F	125857F
125858F	125859F	125860F	125861F
125862F	125863F	125864F	125865F

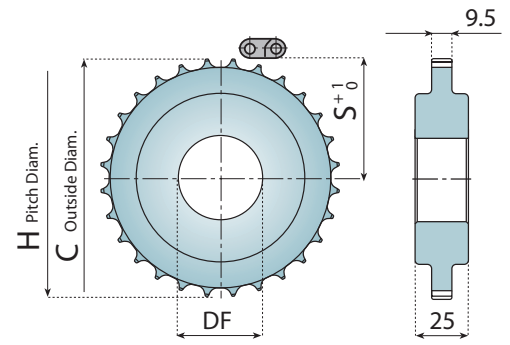
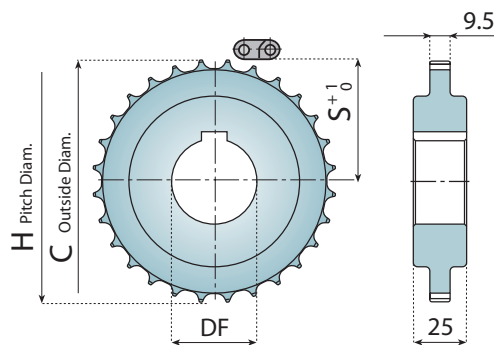
Ø 18*	Ø 25	Ø 30	Ø 35	Ø 40
Part number				
125850GF	125850RF	125851RF	125852RF	125853RF
125854GF	125854RF	125855RF	125856RF	125857RF
125858GF	125858RF	125859RF	125860RF	125861RF
125862GF	125862RF	125863RF	125864RF	125865RF

Material: polyamide, screws in stainless steel, nuts in zinc plated steel.

Material: polyamide, screws in stainless steel, nuts in zinc plated steel.

*Plain Bore

Part numbers for drive sprockets are manufactured for a tight fit on the shaft.
To order single keyway sprockets capable of floating freely on the shaft, just add the letter "P" (=plus) to the existing part number. For example, code **125800FP**.



**ONE PIECE SPROCKETS
SINGLE KEYWAY - Tight**

**ONE PIECE
IDLER WHEELS - Floating**

Z	C mm	H mm	S mm
16	65.20	65.10	28.20
20	81.20	81.19	36.30
24	99.30	97.30	44.30
28	115.40	113.40	52.40
36	147.70	145.70	68.50
38	155.80	153.80	72.60
40	163.85	161.85	76.60

Ø 25	Ø 30	Ø 35	Ø 40
Part number			
125800F	125801F	-	-
125802F	125803F	125804F	-
125806F	125807F	125808F	125809F
125810F	125811F	125812F	125813F
125814F	125815F	125816F	125817F
125818F	125819F	125820F	125821F
125822F	125823F	125824F	125825F

Ø 18*	Ø 25	Ø 30	Ø 35	Ø 40
Part number				
125800GF	125800RIF	125801RIF	-	-
125802GF	125802RIF	125803RIF	125804RIF	125805RIF
125806GF	125806RIF	125807RIF	125808RIF	125809RIF
125810GF	125810RIF	125811RIF	125812RIF	125813RIF
125814GF	125814RIF	125815RIF	125816RIF	125817RIF
125818GF	125818RIF	125819RIF	125820RIF	125821RIF
125822GF	125822RIF	125823RIF	125824RIF	125825RIF

Material: polyamide.

Material: polyamide.

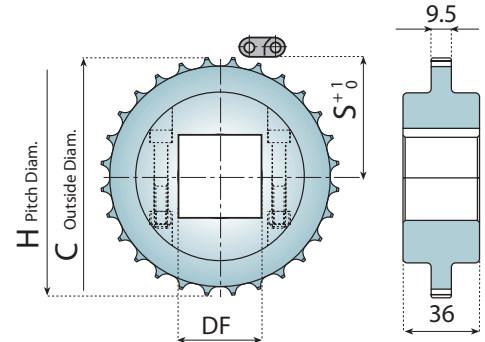
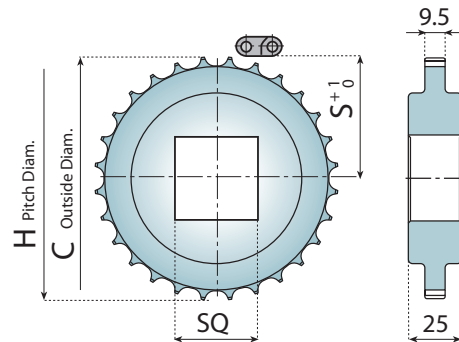
*Plain Bore





Pages
88



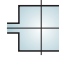
Pages
340



 ONE PIECE SPROCKETS SQUARE BORE - Floating				
Z	C mm	H mm	S mm	
16	65.20	65.10	28.20	
20	81.20	81.19	36.30	
24	99.30	97.30	44.30	
28	115.40	113.40	52.40	
36	147.70	145.70	68.50	
38	155.80	153.80	72.60	
40	163.85	161.85	76.60	

 ONE PIECE SPROCKETS SQUARE BORE - Floating				
25x25	30x30	35x35	40x40	60x60
Part number				
125877F	-	-	-	-
125870F	125871F	125880F	-	-
125881F	125882F	-	125883F	-
125884F	125885F	-	125886F	-
-	125887F	-	125888F	125889F
-	125890F	-	125891F	125892F
-	125893F	-	125894F	125895F

Material: polyamide, screws in stainless steel, nuts in zinc plated steel.

 SPLIT SPROCKETS SQUARE BORE - Floating			
30x30	35x35	40x40	60x60
-	-	-	-
-	-	-	-
-	-	-	-
125866F	-	125867F	-
125868F	-	125869F	125872F
125873F	-	125874F	125875F
125876F	-	125896F	125897F

Material: polyamide, screws in stainless steel.

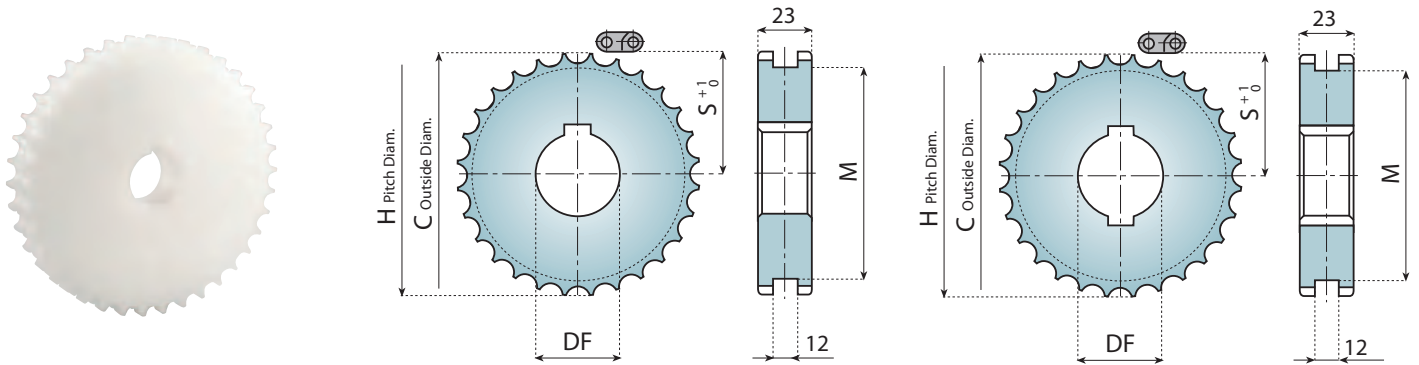
Note:

- Sprockets with single keyway can be used for belt widths up to 680 mm and temperature differences of maximum 30°C.
- For wider belts or bigger temperature differences, sprockets with square bores or round bore with double keyway have to be used.


 [Pages 88⇒96](#)
[98⇒111+183](#)


 [Pages 340](#)

Part numbers for drive sprockets are manufactured for a tight fit on the shaft. To order single keyway sprockets capable of floating freely on the shaft, just add the letter "P" (=plus) to the existing part number. For example, code **125528VP**.



Z	C mm	H mm	M mm	S mm
14	56.90	57.06	46.00	24.30
16	65.20	65.10	55.00	28.20
20	81.20	81.19	71.00	36.30
24	99.30	97.30	87.00	44.30
28	115.40	113.40	103.00	52.40
36	147.70	145.70	136.02	68.50
38	155.80	153.80	143.10	72.60
40	163.85	161.85	150.00	76.60

 ONE PIECE SPROCKETS SINGLE KEYWAY - Tight					
Ø 18*	Ø 25	Ø 30	Ø 35	Ø 40	
Part number					
125528GV	125528V	125529V	-	-	
125500GV	125500V	125501V	-	-	
125502GV	125502V	125503V	125504V	125505V	
125506GV	125506V	125507V	125508V	125509V	
125510GV	125510V	125511V	125512V	125513V	
125516GV	125516V	125517V	125518V	125519V	
125520GV	125520V	125521V	125522V	125523V	
125524GV	125524V	125525V	125526V	125527V	

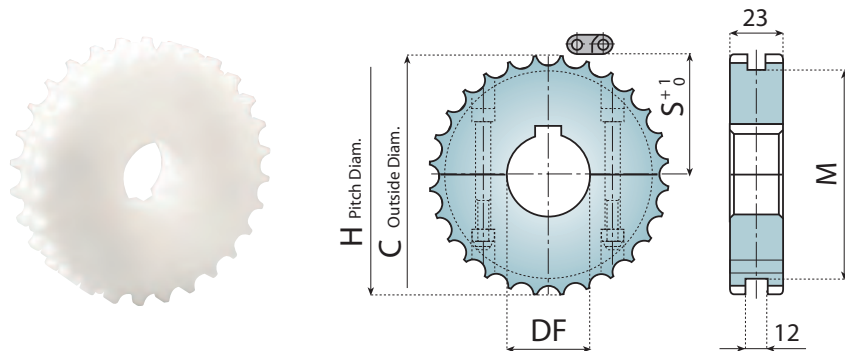
 ONE PIECE SPROCKETS DOUBLE KEYWAY - Floating					
Ø 18*	Ø 25	Ø 30	Ø 35	Ø 40	
Part number					
-	125565V	125566V	-	-	
-	125551V	125552V	-	-	
-	-	125553V	125554V	-	
-	-	125555V	125556V	-	
-	-	125557V	125558V	-	
-	-	125559V	125560V	-	
-	-	125561V	125562V	-	
-	-	125563V	125564V	-	


Material: polyamide.


***Plain Bore Material:** polyamide.

***Plain Bore**

Part numbers for drive sprockets are manufactured for a tight fit on the shaft. To order single keyway sprockets capable of floating freely on the shaft, just add the letter "P" (=plus) to the existing part number. For example, code **125600VP**.



 SPLIT SPROCKETS SINGLE KEYWAY - Fixed					
Z	C mm	H mm	M mm	S mm	
28	115.40	113.40	103.00	52.40	
36	147.70	145.72	136.02	68.50	
38	155.80	153.80	143.10	72.60	
40	163.85	161.85	150.00	76.60	

 SPLIT SPROCKETS SINGLE KEYWAY - Fixed					
Ø 18*	Ø 25	Ø 30	Ø 35	Ø 40	
Part number					
125600GV	125600V	125601V	125602V	125603V	
125612GV	125612V	125613V	125614V	125615V	
125604GV	125604V	125605V	125606V	125607V	
125608GV	125608V	125609V	125610V	125611V	

Material: polyamide, screws in stainless steel, nuts in zinc plated steel.

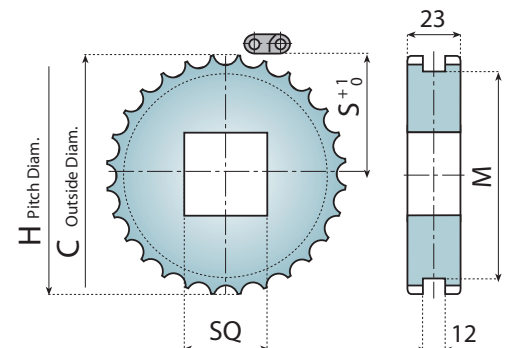
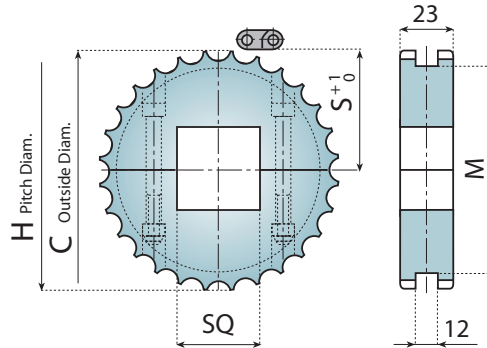
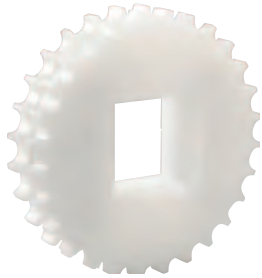
***Plain Bore**



Pages
88⇒96
98⇒111+183



Pages
340



**SPLIT SPROCKETS
SQUARE BORE - Floating**

**ONE PIECE SPROCKETS
SQUARE BORE - Floating**

Z	C mm	H mm	M mm	S mm
14	56.90	57.06	46.00	24.30
16	65.20	65.10	55.00	28.20
20	81.20	81.19	71.00	36.30
24	99.30	97.30	87.00	44.30
28	115.40	113.40	103.00	52.40
36	147.70	145.70	136.02	68.50
38	155.80	153.80	143.10	72.60
40	163.85	161.85	150.00	76.60

	30x30	35x35	40x40	60x60
Part number				
-	-	-	-	-
-	-	-	-	-
-	-	-	-	-
-	-	-	-	-
125650V	-	125651V	-	-
125652V	-	125653V	125654V	-
125655V	-	125656V	125657V	-
125658V	-	125659V	125660V	-

	20x20	25x25	30x30	35x35	40x40	60x60
Part number						
125720V	125721V	-	-	-	-	-
-	125700V	125701V	-	-	-	-
-	125702V	125703V	125704V	-	-	-
-	125705V	125706V	-	125707V	-	-
-	125708V	125709V	-	125710V	-	-
-	-	125711V	-	125712V	125713V	-
-	-	125714V	-	125715V	125716V	-
-	-	125717V	-	125718V	125719V	-

Material: polyamide, screws in stainless steel.

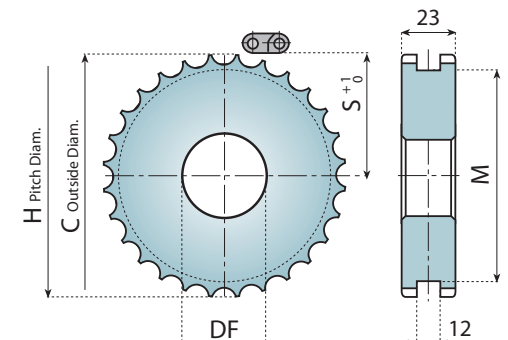
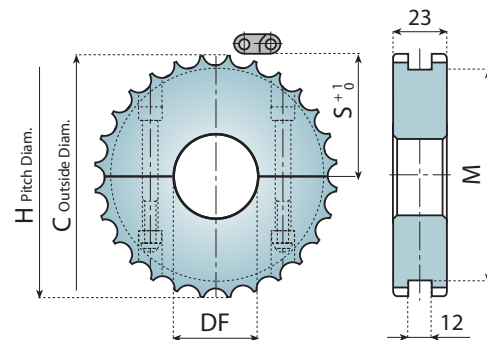
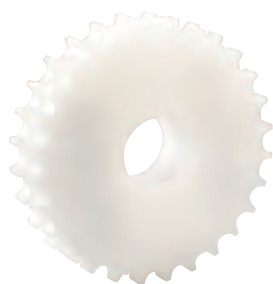
Material: polyamide.

IDLER WHEELS

2120 - 2121 H

Features:

- These idlers float freely on the shaft.



SPLIT IDLER WHEELS - Floating

ONE PIECE IDLER WHEELS - Floating

Z	C mm	H mm	M mm	S mm
14	56.90	57.06	46.00	24.30
16	65.20	65.10	55.00	28.20
20	81.20	81.19	71.00	36.30
24	99.30	97.30	87.00	44.30
28	115.40	113.40	103.00	52.40
36	147.70	145.70	136.02	68.50
38	155.80	153.80	143.10	72.60
40	163.85	161.85	150.00	76.60

	Ø 18*	Ø 25	Ø 30	Ø 35	Ø 40
Part number					
-	-	-	-	-	-
-	-	-	-	-	-
-	-	-	-	-	-
-	-	-	-	-	-
125600GV	125600RV	125601RV	125602RV	125603RV	-
125612GV	125612RV	125613RV	125614RV	125615RV	-
125604GV	125604RV	125605RV	125606RV	125607RV	-
125608GV	125608RV	125609RV	125610RV	125611RV	-

	Ø 18*	Ø 25	Ø 30	Ø 35	Ø 40
Part number					
125528GV	125528RIV	125529RIV	-	-	-
125500GV	125500RIV	125501RIV	-	-	-
125502GV	125502RIV	125503RIV	125504RIV	125505RIV	-
125506GV	125506RIV	125507RIV	125508RIV	125509RIV	-
125510GV	125510RIV	125511RIV	125512RIV	125513RIV	-
125516GV	125612RIV	125613RIV	125614RIV	125615RIV	-
125520GV	125604RIV	125605RIV	125606RIV	125607RIV	-
125524GV	125608RIV	125609RIV	125610RIV	125611RIV	-

Material: polyamide, screws in stainless steel, nuts in zinc plated steel.
***Plain Bore**

Material: polyamide.
***Plain Bore**

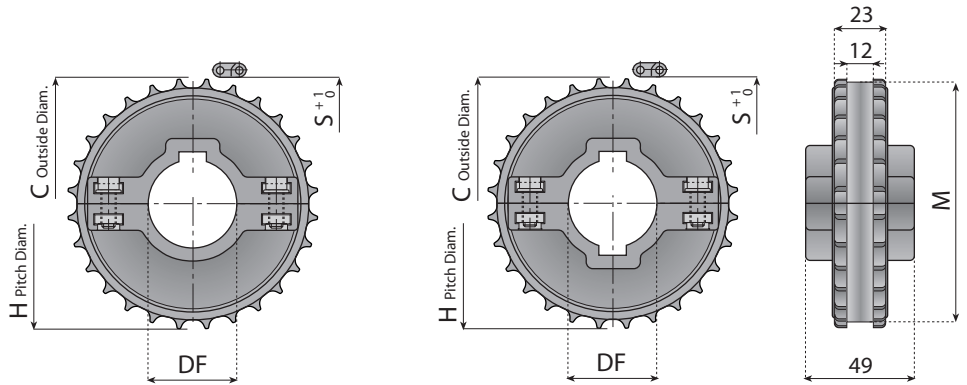
Note:

- Sprockets with single keyway can be used for belt widths up to 680 mm and temperature differences of maximum 30°C.
- For wider belts or bigger temperature differences, sprockets with square bores or round bore with double keyway have to be used.

 Pages 88⇒96
98⇒111+179

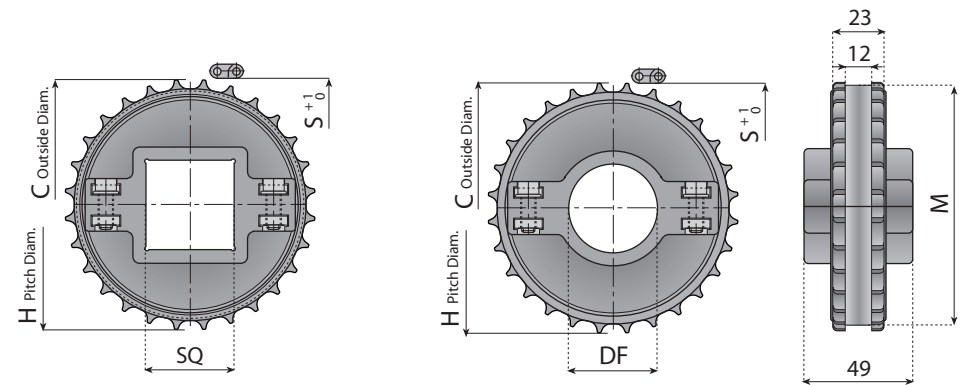
 Pages 340

Part numbers for drive sprockets are manufactured for a tight fit on the shaft. To order single keyway sprockets capable of floating freely on the shaft, just add the letter "P" (=plus) to the existing part number. For example, code **123000VP**.



Z	C mm	H mm	M mm	S mm	SPLIT SPROCKETS SINGLE KEYWAY - Fixed				SPLIT SPROCKETS DOUBLE KEYWAY - Floating			
					Ø 30	Ø 35	Ø 40	Ø 45	Ø 30	Ø 35	Ø 40	Ø 45
24	99.30	97.30	87.00	44.30	123190V	123191V	123192V	-	123193V	123194V	123195V	-
28	115.40	113.40	103.00	52.40	123000V	123001V	123002V	123003V	123004V	123005V	123006V	123007V
36	147.70	145.70	136.02	68.50	123200V	-	123201V	-	123202V	-	123203V	-

Material: reinforced polyamide, screws in stainless steel, nuts in nickel plated brass.



Z	C mm	H mm	M mm	S mm	SPLIT SPROCKETS SQUARE BORE - Floating				SPLIT IDLER WHEELS - Floating			
					30 x 30	40 x 40	-	-	Ø 30	Ø 35	Ø 40	Ø 45
24	99.30	97.30	87.00	44.30	123196V	-	-	-	123197V	123198V	123199V	-
28	115.40	113.40	103.00	52.40	123008V	123009V	-	-	123010V	123011V	123012V	123013V
36	147.70	145.70	136.02	68.50	-	-	-	-	123204V	-	123205V	-

Material: reinforced polyamide, screws in stainless steel, nuts in nickel plated brass.

Note:

- Sprockets with single keyway can be used for belt widths up to 700 mm and temperature differences of maximum 30°C.
- For wider belts or bigger temperature differences, sprockets with square bores or sprockets with "plus" bores have to be used.

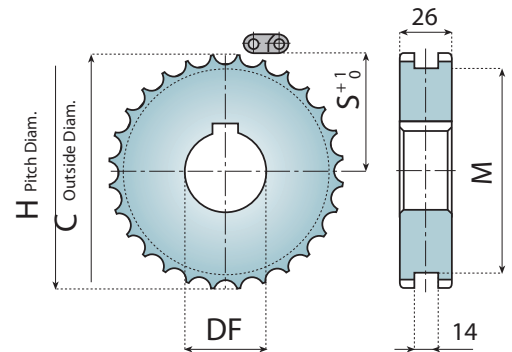
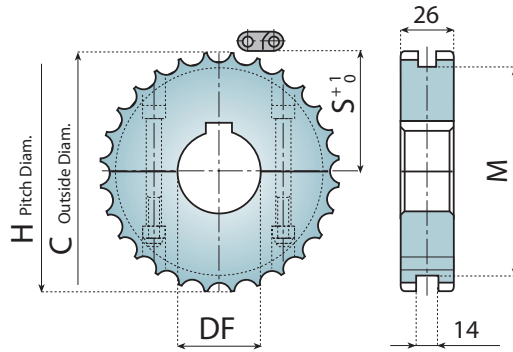
Part numbers for drive sprockets are manufactured for a tight fit on the shaft. To order single keyway sprockets capable of floating freely on the shaft, just add the letter "P" (=plus) to the existing part number. For example, code **125028VP**.



Pages
97



Pages
340



**SPLIT SPROCKETS
SINGLE KEYWAY - Fixed**

Z	C mm	H mm	M mm	S mm
14	56.90	57.06	46.00	24.30
16	65.20	65.10	55.00	28.20
20	81.20	81.19	71.00	36.30
24	99.30	97.30	87.00	44.30
28	115.40	113.40	103.00	52.40
36	147.70	145.70	136.02	68.50
38	155.80	153.80	143.10	72.60
40	163.85	161.85	150.00	76.60

Ø 18*	Ø 25	Ø 30	Ø 35	Ø 40
Part number				
-	-	-	-	-
-	-	-	-	-
-	-	-	-	-
-	-	-	-	-
125028GV	125028V	125029V	125030V	125031V
125032GV	125032V	125033V	125034V	125035V
125036GV	125036V	125037V	125038V	125039V
125040GV	125040V	125041V	125042V	125043V

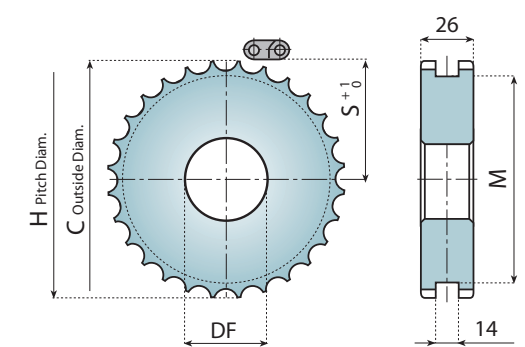
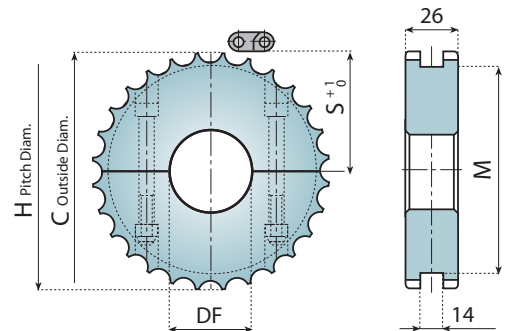
**ONE PIECE SPROCKETS
SINGLE KEYWAY - Tight**

Ø 18*	Ø 25	Ø 30	Ø 35	Ø 40
Part number				
125044GV	125044V	125045V	-	-
125046GV	125046V	125047V	-	-
125048GV	125048V	125049V	125050V	125051V
125052GV	125052V	125053V	125054V	125055V
125056GV	125056V	125057V	125058V	125059V
125060GV	125060V	125061V	125062V	125063V
125064GV	125064V	125065V	125066V	125067V
125068GV	125068V	125069V	125070V	125071V

Material: polyamide, screws in stainless steel, nuts in zinc plated steel.

Material: polyamide.

*Plain Bore



SPLIT IDLER WHEELS - Floating

Z	C mm	H mm	M mm	S mm
14	56.90	57.06	46.00	24.30
16	65.20	65.10	55.00	28.20
20	81.20	81.19	71.00	36.30
24	99.30	97.30	87.00	44.30
28	115.40	113.40	103.00	52.40
36	147.70	145.70	136.02	68.50
38	155.80	153.80	143.10	72.60
40	163.85	161.85	150.00	76.60

Ø 18*	Ø 25	Ø 30	Ø 35	Ø 40
Part number				
-	-	-	-	-
-	-	-	-	-
-	-	-	-	-
-	-	-	-	-
125028GV	125028RV	125029RV	125030RV	125031RV
125032GV	125032RV	125033RV	125034RV	125035RV
125036GV	125036RV	125037RV	125038RV	125039RV
125040GV	125040RV	125041RV	125042RV	125043RV

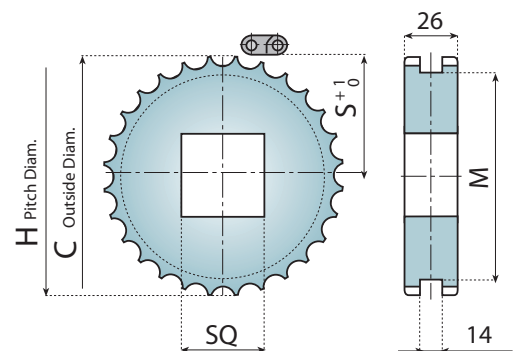
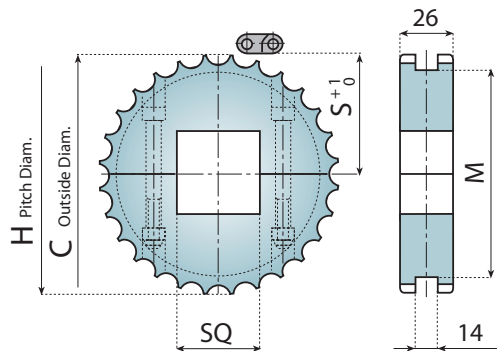
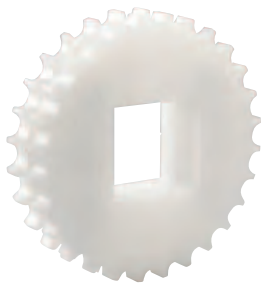
ONE PIECE IDLER WHEELS - Floating

Ø 18*	Ø 25	Ø 30	Ø 35	Ø 40
Part number				
125044GV	125044RV	125045RV	-	-
125046GV	125046RV	125047RV	-	-
125048GV	125048RV	125049RV	125050RV	125051RV
125052GV	125052RV	125053RV	125054RV	125055RV
125056GV	125056RV	125057RV	125058RV	125059RV
125060GV	125060RV	125061RV	125062RV	125063RV
125064GV	125064RV	125065RV	125066RV	125067RV
125068GV	125068RV	125069RV	125070RV	125071RV

Material: polyamide, screws in stainless steel, nuts in zinc plated steel.

Material: polyamide.

*Plain Bore



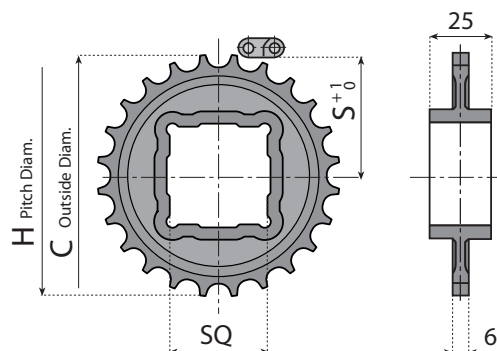
Z	C mm	H mm	M mm	S mm
14	56.90	57.06	46.00	24.30
16	65.20	65.10	55.00	28.20
20	81.20	81.19	71.00	36.30
24	99.30	97.30	87.00	44.30
28	115.40	113.40	103.00	52.40
36	147.70	145.70	136.02	68.50
38	155.80	153.80	143.10	72.60
40	163.85	161.85	150.00	76.60

SPLIT SPROCKETS SQUARE BORE - Floating				
	∅30x30	∅35x35	∅40x40	∅60x60
Part number				
-	-	-	-	-
-	-	-	-	-
-	-	-	-	-
-	-	-	-	-
125072V	-	125073V	-	-
125074V	-	125075V	125076V	-
125077V	-	125078V	125079V	-
125080V	-	125081V	125082V	-

Material: polyamide, screws in stainless steel, nuts in zinc plated steel.

ONE PIECE SPROCKETS SQUARE BORE - Floating				
	∅25x25	∅30x30	∅40x40	∅60x60
Part number				
125083V	-	-	-	-
125084V	125085V	-	-	-
125086V	125087V	-	-	-
125088V	125089V	125090V	-	-
125091V	125092V	125093V	-	-
-	125094V	125095V	125096V	-
-	125097V	125098V	125099V	-
-	125110V	125111V	125112V	-

Material: polyamide.



Z	B mm	C mm	H mm	S mm
24	99.30	97.30	87.00	44.30

ONE PIECE SPROCKETS - Floating		
	∅30x30	∅40x40
Part number		
123206	123207	

Material: polyamide.



Note:

- Sprockets with single keyway can be used for belt widths up to 27 inch and temperature differences of maximum 30°C.
- For wider belts or bigger temperature differences, sprockets with square bores have to be used.

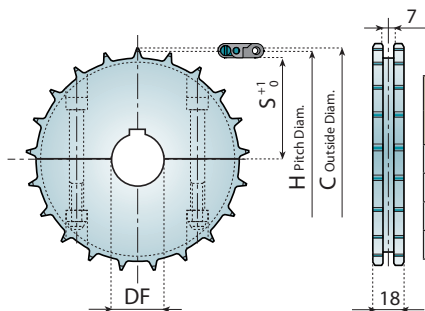


Pages
114⇒117



Pages
340

Part numbers for drive sprockets are manufactured for a tight fit on the shaft. To order single keyway sprockets capable of floating freely on the shaft, just add the letter "P" (=plus) to the existing part number. For example, code **125300P**.



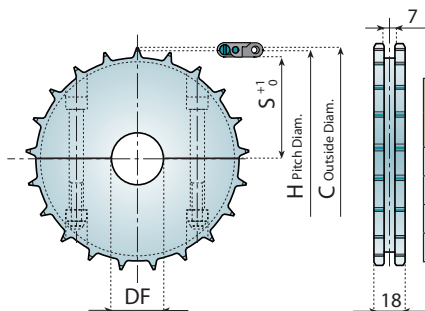
Z	C mm	H mm	S mm
17	103.4	100.7	46.00
21	128.7	126.0	58.65
24	145.6	142.9	67.10
25	151.7	149.0	70.15

METRIC

SPLIT SPROCKETS - Fixed			
Ø 25	Ø 30	Ø 35	Ø 40
Part number			
125300	125301	125302	-
125304	125305	125306	125307
125308	125309	125310	125311
125312	125313	125314	125315

IMPERIAL

SPLIT SPROCKETS - Fixed		
Ø 1"	Ø 1 ¼"	Ø 1 ½"
Part number		
125300S	125301S	125302S
125304S	125305S	125306S
125308S	125309S	125310S
125312S	125313S	125314S



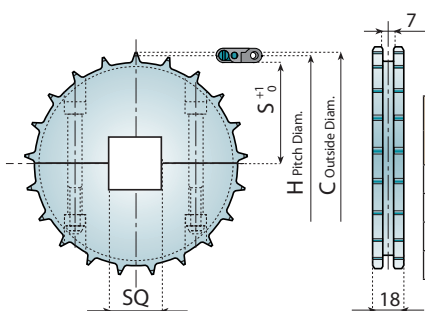
Z	C mm	H mm	S mm
17	103.4	100.7	46.00
21	128.7	126.0	58.65
24	145.6	142.9	67.10
25	151.7	149.0	70.15

METRIC

SPLIT IDLER WHEELS - Floating				
Ø 18*	Ø 25	Ø 30	Ø 35	Ø 40
Part number				
125316GR	125316R	125317R	125318R	-
125320GR	125320R	125321R	125322R	125323R
125324GR	125324R	125325R	125326R	125327R
125328GR	125328R	125329R	125330R	125331R

IMPERIAL

SPLIT IDLER WHEELS Floating		
Ø 1"	Ø 1 ¼"	Ø 1 ½"
Part number		
125316RS	125317RS	125318RS
125320RS	125321RS	125322RS
125324RS	125325RS	125326RS
125328RS	125329RS	125330RS



Z	C mm	H mm	S mm
17	103.4	100.7	46.00
21	128.7	126.0	58.65
24	145.6	142.9	67.10
25	151.7	149.0	70.15

METRIC

SPLIT SPROCKETS - Floating		
Ø 25x25	Ø 30x30	Ø 40x40
Part number		
125332	125333	-
125335	125336	125337
125338	125339	125340
125341	125342	125343

IMPERIAL

SPLIT SPROCKETS - Floating		
Ø 1" x 1"	Ø 1 ¼" x 1 ¼"	Ø 1 ½" x 1 ½"
Part number		
125332S	125333S	125334S
125335S	125336S	125337S
125338S	125339S	125340S
125341S	125342S	125343S

Note:

- Sprockets with single keyway can be used for belt widths up to 680 mm and temperature differences of maximum 30°C.
- For wider belts or bigger temperature differences, sprockets with square bores or round bore with double keyway have to be used.

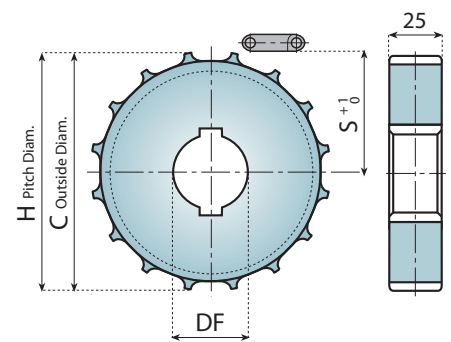
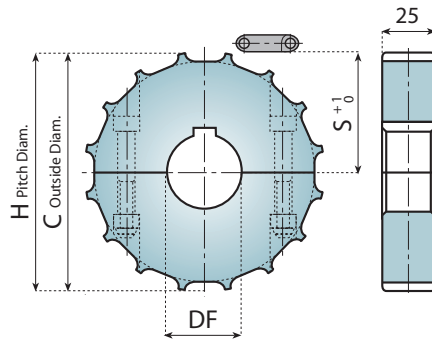


Pages
120⇒143



Pages
340

Part numbers for drive sprockets are manufactured for a tight fit on the shaft. To order single keyway sprockets capable of floating freely on the shaft, just add the letter "P" (=plus) to the existing part number. For example, code **125000FP**.



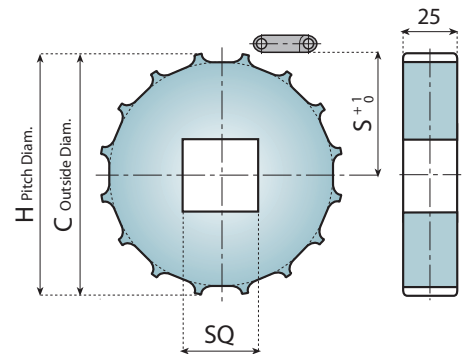
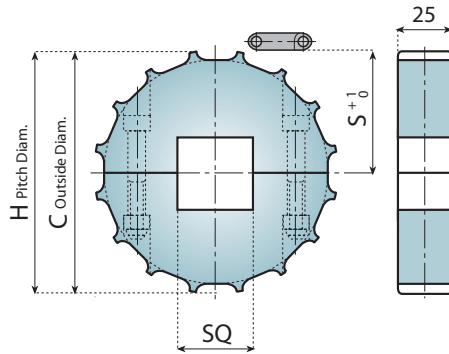
Z	C mm	H mm	S mm
12	98.00	98.14	44.70
14	114.00	114.18	52.70
16	130.00	130.20	60.70
18	146.00	146.27	68.80
20	162.00	162.37	76.80

SPLIT SPROCKETS SINGLE KEYWAY - Fixed					
Ø 18*	Ø 25	Ø 30	Ø 35	Ø 40	
Part number					
125000GF	125000F	125001F	125002F	125003F	
125020GF	125020F	125021F	125022F	125023F	
125004GF	125004F	125005F	125006F	125007F	
125008GF	125008F	125009F	125010F	125011F	
125012GF	125012F	125013F	125014F	125015F	

Material: polyamide, screws in stainless steel, nuts in zinc plated steel.
*Plain Bore

ONE PIECE SPROCKETS DOUBLE KEYWAY - Floating					
Ø 18*	Ø 25	Ø 30	Ø 35	Ø 40	
Part number					
125100GF	-	125100F	-	125101F	
125108GF	-	125108F	-	125109F	
125102GF	-	125102F	-	125103F	
125104GF	-	125104F	-	125105F	
125106GF	-	125106F	-	125107F	

Material: polyamide.
*Plain Bore



Z	C mm	H mm	S mm
12	98.00	98.14	44.70
14	114.00	114.18	52.70
16	130.00	130.20	60.70
18	146.00	146.27	68.80
20	162.00	162.37	76.80

SPLIT SPROCKETS SQUARE BORE - Floating					
-	30 x 30	40 x 40	60 x 60	-	
Part number					
-	125150F	125151F	-	-	
-	125161F	125162F	-	-	
-	125152F	125153F	125154F	-	
-	125155F	125156F	125157F	-	
-	125158F	125159F	125160F	-	

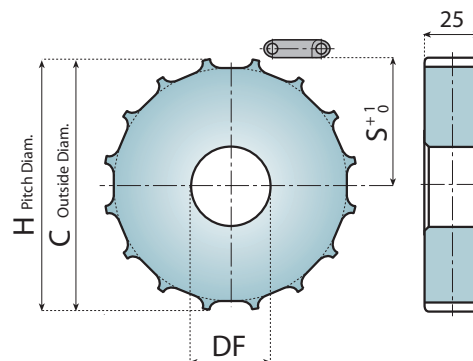
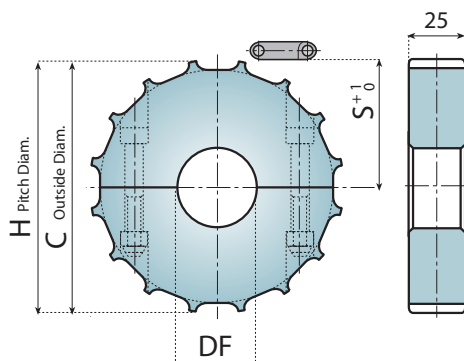
Material: polyamide, screws in stainless steel, nuts in zinc plated steel.

ONE PIECE SPROCKETS SQUARE BORE - Floating					
-	30 x 30	40 x 40	60 x 60	-	
Part number					
-	125200F	125201F	-	-	
-	125211F	125212F	-	-	
-	125202F	125203F	125204F	-	
-	125205F	125206F	125207F	-	
-	125208F	125209F	125210F	-	

Material: polyamide.



Features: these idlers float freely on the shaft.



SPLIT IDLER WHEELS - Floating				
Z	C mm	H mm	S mm	
12	98.00	98.14	44.70	
14	114.00	114.18	52.70	
16	130.00	130.20	60.70	
18	146.00	146.27	68.80	
20	162.00	162.37	76.80	

Material: polyamide, screws in stainless steel, nuts in zinc plated steel. *Plain Bore

ONE PIECE IDLER WHEELS - Floating				
Z	C mm	H mm	S mm	
12	98.00	98.14	44.70	
14	114.00	114.18	52.70	
16	130.00	130.20	60.70	
18	146.00	146.27	68.80	
20	162.00	162.37	76.80	

Material: polyamide. *Plain Bore

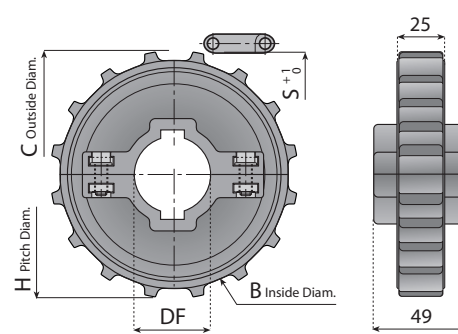
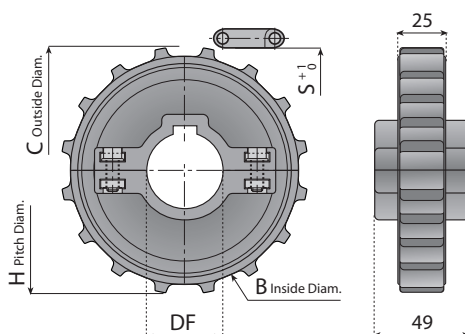
SPROCKETS and IDLER WHEELS

Note:

- Sprockets with single keyway can be used for belt widths up to 680 mm and temperature differences of maximum 30°C.
- For wider belts or bigger temperature differences, sprockets with square bores or round bore with double keyway have to be used.



Part numbers for drive sprockets are manufactured for a tight fit on the shaft. To order single keyway sprockets capable of floating freely on the shaft, just add the letter "P" (=plus) to the existing part number. For example, code **123015P**.



SPLIT SPROCKETS SINGLE KEYWAY - Fixed				
Z	B mm	C mm	H mm	S mm
14	104.18	114.00	114.18	52.70
16	120.00	130.00	130.20	60.70
18	136.20	146.00	146.30	68.80
20	152.20	162.00	162.40	76.80

Material: reinforced polyamide, screws in stainless steel, nuts in nickel plated brass

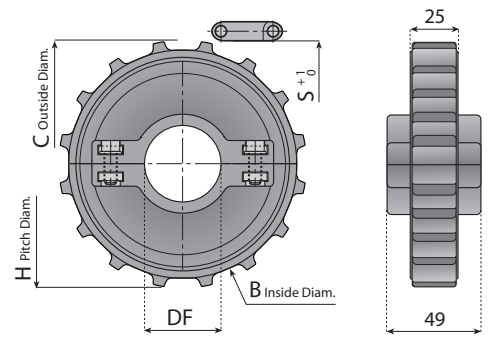
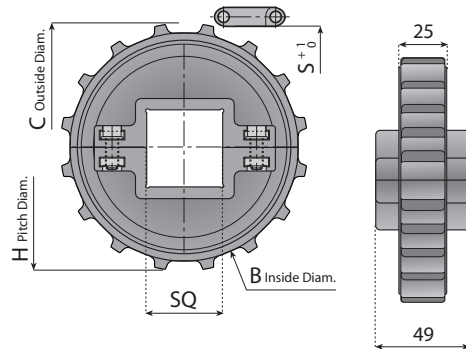
SPLIT SPROCKETS DOUBLE KEYWAY - Floating				
Z	B mm	C mm	H mm	S mm
14	104.18	114.00	114.18	52.70
16	120.00	130.00	130.20	60.70
18	136.20	146.00	146.30	68.80
20	152.20	162.00	162.40	76.80



Pages
120⇒143

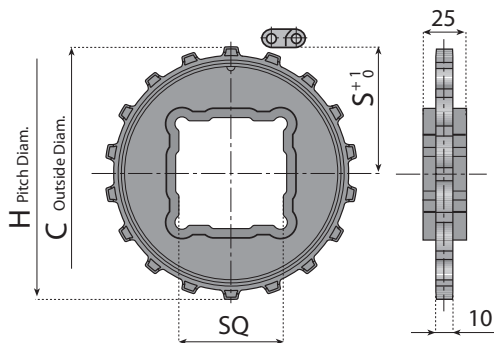


Pages
340



SPLIT SPROCKETS SQUARE BORE - Floating					SPLIT IDLER WHEELS - Floating							
Z	B mm	C mm	H mm	S mm	25 x 25	30 x 30	40 x 40	-	Ø 30	Ø 35	Ø 40	Ø 45
Part number					Part number				Part number			
14	104.18	114.00	114.18	52.70	123180	123181	-	-	123182	123183	123184	-
16	120.00	130.00	130.20	60.70	-	123023	123024	-	123025	123026	123027	123028
18	136.20	146.00	146.30	68.80	-	123037	123038	-	123039	123040	123041	123042
20	152.20	162.00	162.40	76.80	-	123051	123052	-	123053	123054	123055	123056

Material: reinforced polyamide screws in stainless steel, nuts in nickel plated brass.



Pages
148

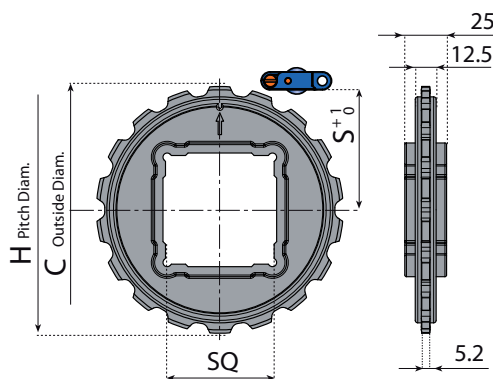


Pages
340

Z	C mm	H mm	S mm
12	97.8	98.1	44.7
15	121.9	122.2	56.7
18	146	146.30	68.80

ONE PIECE SPROCKETS Floating	
Part number	Part number
123225	-
123226	123227
123212	123208

Material: polyamide.



Pages
146-147



Pages
340

Z	C mm	H mm	S mm
18	147.65	146.3	68

ONE PIECE SPROCKETS Floating	
Part number	Part number
123213	123214

Material: polyamide.

Note:

- Sprockets with single keyway can be used for belt widths up to 680 mm and temperature differences of maximum 30°C.
- For wider belts or bigger temperature differences, sprockets with square bores or round bore with double keyway have to be used.

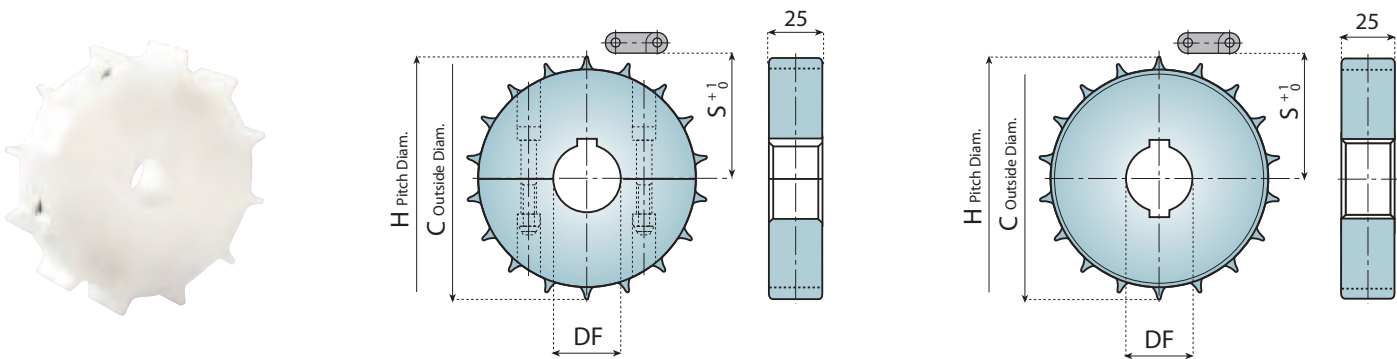


Pages
150⇒171



Pages
340

Part numbers for drive sprockets are manufactured for a tight fit on the shaft.
To order single keyway sprockets capable of floating freely on the shaft, just add the letter "P" (=plus) to the existing part number. For example, code **125270FP**.

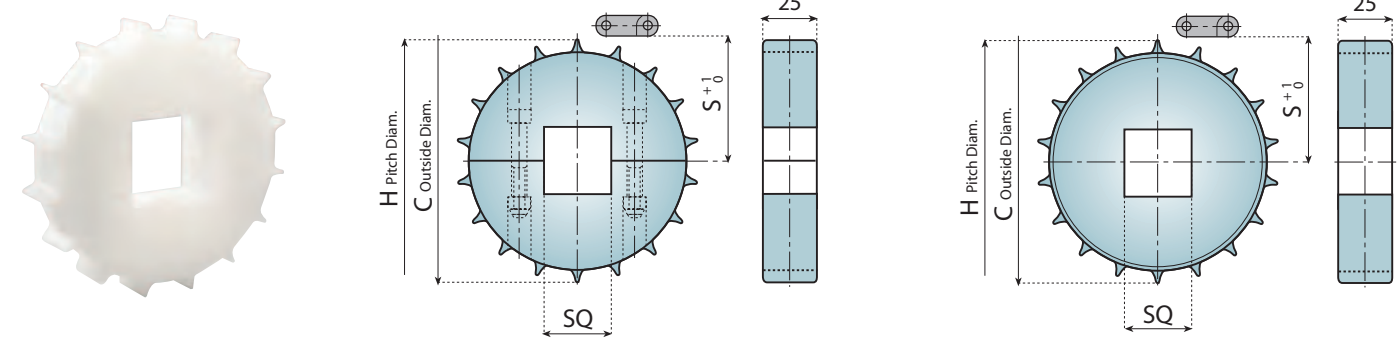


		SPLIT SPROCKETS SINGLE KEYWAY - Fixed						
		Ø 18*	Ø 25	Ø 30	Ø 35	Ø 40		
		Part number						
Z	C mm	H mm	S mm					
12	97.90	98.14	42.70	125270GF	125270F	125271F	125272F	125273F
13	105.54	106.14	46.70	125266GF	125266F	125267F	125268F	125269F
14	114.00	114.18	50.70	125274GF	125274F	125275F	125276F	125277F
15	122.60	122.20	54.60	125278GF	125278F	125279F	125280F	125281F
16	130.00	130.20	58.70	125250GF	125250F	125251F	125252F	125253F
18	146.00	146.28	66.70	125254GF	125254F	125255F	125256F	125257F
20	162.00	162.37	74.80	125258GF	125258F	125259F	125260F	125261F
21	171.00	170.42	78.90	125262GF	125262F	125263F	125264F	125265F

Material: polyamide, screws in stainless steel, nuts in zinc plated steel.
***Plain Bore**

		ONE PIECE SPROCKETS DOUBLE KEYWAY - Floating						
		Ø 18*	Ø 25	Ø 30	Ø 35	Ø 40		
		Part number						
Z	C mm	H mm	S mm					
12	97.90	98.14	42.70	125360GF	-	125360F	-	125361F
13	105.54	106.14	46.70	125358GF	-	125358F	-	125359F
14	114.00	114.18	50.70	125362GF	-	125362F	-	125363F
15	122.60	122.20	54.60	-	-	-	-	-
16	130.00	130.20	58.70	125350GF	-	125350F	-	125351F
18	146.00	146.28	66.70	125352GF	-	125352F	-	125353F
20	162.00	162.37	74.80	125354GF	-	125354F	-	125355F
21	171.00	170.42	78.90	125356GF	-	125356F	-	125357F

Material: polyamide.
***Plain Bore**



		SPLIT SPROCKETS SQUARE BORE - Floating						
		25 x 25	30 x 30	40 x 40	60 x 60	-		
		Part number						
Z	C mm	H mm	S mm					
12	97.90	98.14	42.70	125414F	125415F	-	-	-
13	105.54	106.14	46.70	-	125412F	125413F	-	-
14	114.00	114.18	50.70	-	125416F	125417F	-	-
16	130.00	130.20	58.70	-	125400F	125401F	125402F	-
18	146.00	146.27	66.70	-	125403F	125404F	125405F	-
20	162.00	162.37	74.80	-	125406F	125407F	125408F	-
21	171.00	170.42	78.90	-	125409F	125410F	125411F	-

Material: polyamide, screws in stainless steel, nuts in zinc plated steel.

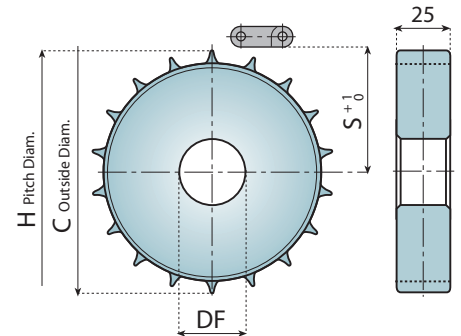
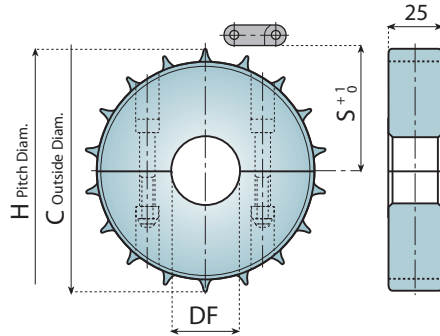
		ONE PIECE SPROCKETS SQUARE BORE - Floating						
		-	30 x 30	40 x 40	60 x 60	-		
		Part number						
Z	C mm	H mm	S mm					
12	97.90	98.14	42.70	-	125464F	125465F	-	-
13	105.54	106.14	46.70	-	125462F	125463F	-	-
14	114.00	114.18	50.70	-	125466F	125467F	-	-
16	130.00	130.20	58.70	-	125450F	125451F	125452F	-
18	146.00	146.27	66.70	-	125453F	125454F	125455F	-
20	162.00	162.37	74.80	-	125456F	125457F	125458F	-
21	171.00	170.42	78.90	-	125459F	125460F	125461F	-

Material: polyamide.


Features: these idlers float freely on the shaft.

 Pages
150⇒171


 Pages
340



Z	C mm	H mm	S mm
12	97.90	98.14	42.70
13	105.54	106.14	46.70
14	114.00	114.18	50.70
15	122.60	122.20	55.70
16	130.00	130.20	58.70
18	146.00	146.28	66.70
20	162.00	162.37	74.80
21	171.00	170.42	78.90

 SPLIT IDLER WHEELS - Floating					
Ø 18*	Ø 25	Ø 30	Ø 35	Ø 40	
Part number					
125270GF	125270RF	125271RF	125272RF	125273RF	
125266GF	125266RF	125267RF	125268RF	125269RF	
125274GF	125274RF	125275RF	125276RF	125277RF	
125278GF	125278RF	125279RF	125280RF	125281RF	
125250GF	125250RF	125251RF	125252RF	125253RF	
125254GF	125254RF	125255RF	125256RF	125257RF	
125258GF	125258RF	125259RF	125260RF	125261RF	
125262GF	125262RF	125263RF	125264RF	125265RF	

Material: polyamide, screws in stainless steel, nuts in zinc plated steel.
*Plain Bore

 ONE PIECE IDLER WHEELS - Floating					
Ø 18*	Ø 25	Ø 30	Ø 35	Ø 40	
Part number					
125360GF	125270RIF	125271RIF	125272RIF	125273RIF	
125358GF	125266RIF	125267RIF	125268RIF	125269RIF	
125362GF	125274RIF	125275RIF	125276RIF	125277RIF	
-	-	-	-	-	
125350GF	125250RIF	125251RIF	125252RIF	125253RIF	
125352GF	125254RIF	125255RIF	125256RIF	125257RIF	
125354GF	125258RIF	125259RIF	125260RIF	125261RIF	
125356GF	125262RIF	125263RIF	125264RIF	125265RIF	

Material: polyamide.
*Plain Bore

Note:

- Sprockets with single keyway can be used for belt widths up to 680 mm and temperature differences of maximum 30°C.
- For wider belts or bigger temperature differences, sprockets with square bores or round bore with double keyway have to be used.

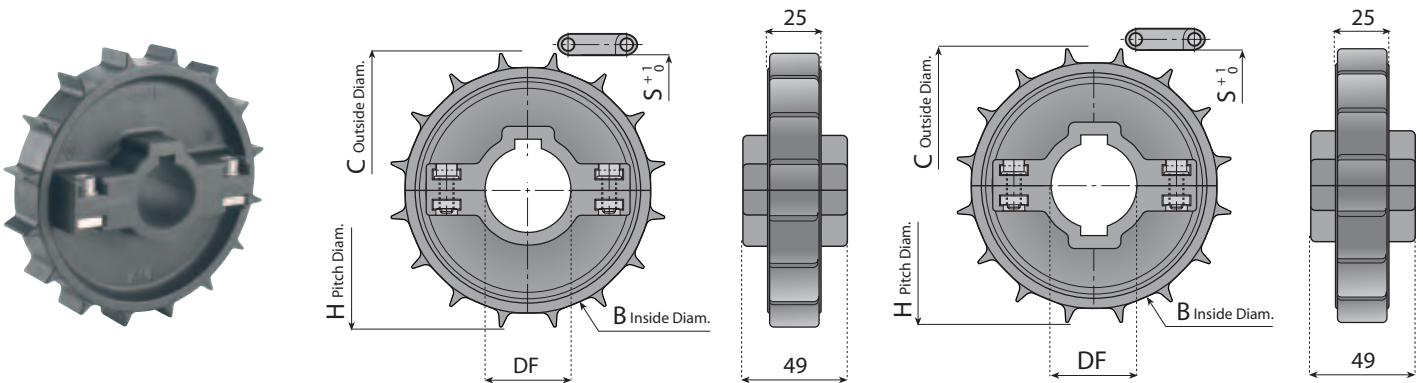


Pages
150⇒171



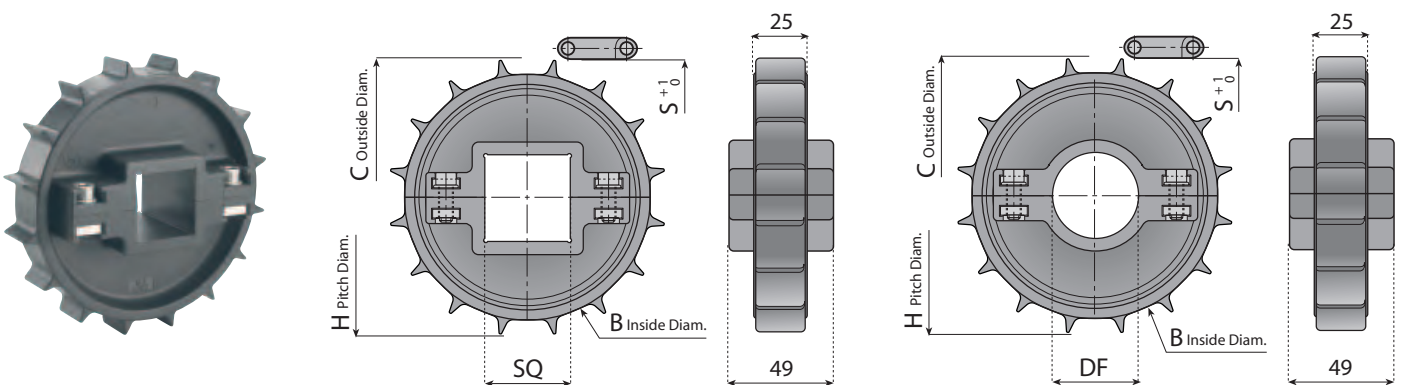
Pages
340

Part numbers for drive sprockets are manufactured for a tight fit on the shaft. To order single keyway sprockets capable of floating freely on the shaft, just add the letter "P" (=plus) to the existing part number. For example, code **123150FP**.



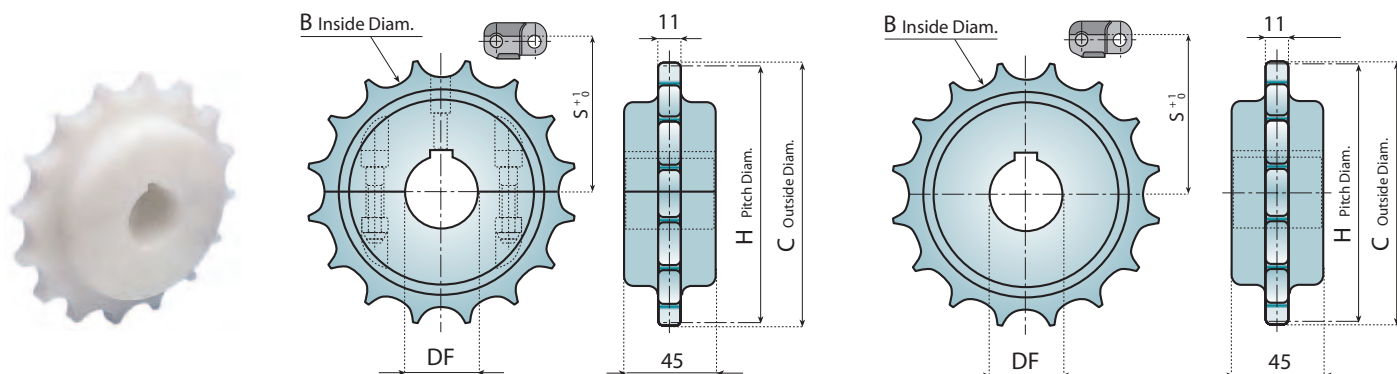
Z	B mm	C mm	H mm	S mm	SPLIT SPROCKETS SINGLE KEYWAY - Fixed				SPLIT SPROCKETS DOUBLE KEYWAY - Floating			
					Ø 30	Ø 35	Ø 40	Ø 45	Ø 30	Ø 35	Ø 40	Ø 45
14	99.10	113.68	114.18	50.70	123150	123151	123152	-	123154	123155	123156	-
16	115.10	130.00	130.20	58.70	123057	123058	123059	123060	123061	123062	123063	123064
18	131.20	144.00	146.30	66.70	123071	123072	123073	123074	123075	123076	123077	123078
20	147.30	162.00	162.40	74.80	123085	123086	123087	123088	123089	123090	123091	123092

Material: reinforced polyamide, screws in stainless steel, nuts in nickel plated brass.





Z	B mm	C mm	H mm	S mm	SPLIT SPROCKETS SQUARE BORE - Floating				SPLIT IDLER WHEELS - Floating			
					-	30 x 30	40 x 40	-	Ø 30	Ø 35	Ø 40	Ø 45
14	99.10	113.68	114.18	50.70	-	123161	-	-	123162	123163	123164	-
16	115.10	130.00	130.20	58.70	-	123065	123066	-	123067	123068	123069	123070
18	131.20	144.00	146.30	66.70	-	123079	123080	-	123081	123082	123083	123084
20	147.30	162.00	162.40	74.80	-	123093	123094	-	123095	123096	123097	123098

Material: reinforced polyamide, screws in stainless steel, nuts in nickel plated brass.



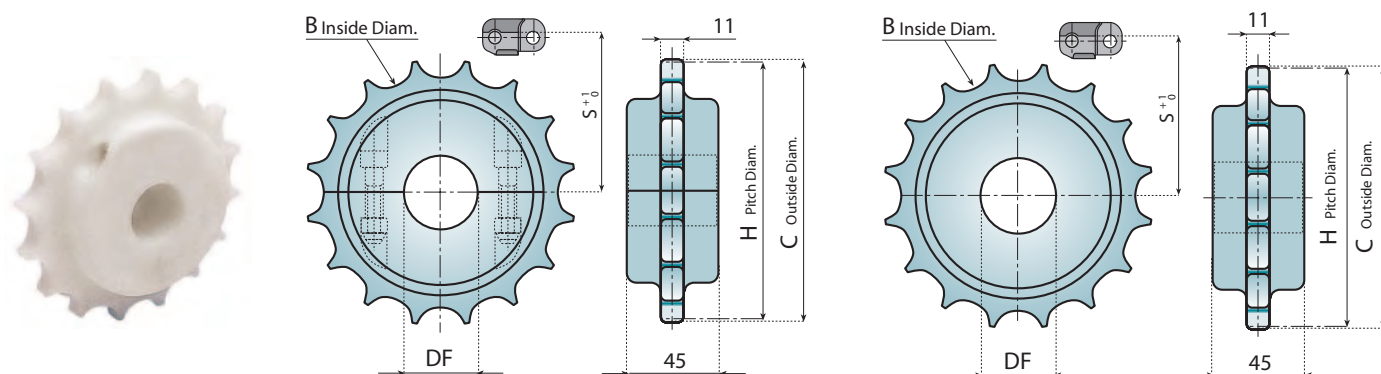
Z	B mm	C mm	H mm	S mm
16	113.00	130.90	128.90	67.80
18	128.80	146.80	144.80	75.70
19	138.30	156.30	154.30	80.50

 SPLIT SPROCKETS SINGLE KEYWAY - Fixed					
Ø 18*	Ø25	Ø 30	Ø 35	Ø 40	Ø 45
Part number					
121017	121018	121019	121020	121021	121022
121023	121024	121025	121026	121027	121028
121029	121030	121031	121032	121033	121034


 ONE PIECE SPROCKETS SINGLE KEYWAY - Tight				
Ø25	Ø 30	Ø 35	Ø 40	Ø 45
Part number				
121035	121036	121037	121038	121039
121040	121041	121042	121043	121044
121045	121046	121047	121048	121049


Material: polyamide, screws in stainless steel, nuts in zinc plated steel.
*Plain Bore

Material: polyamide.
*Plain Bore



Z	B mm	C mm	H mm	S mm
16	113.00	130.90	128.90	67.80
18	128.80	146.80	144.80	75.70
19	138.30	156.30	154.30	80.50

 SPLIT IDLER WHEELS - Floating					
Ø 18*	Ø25	Ø 30	Ø 35	Ø 40	Ø 45
Part number					
121017	121065	121066	121067	121068	121069
121023	121070	121071	121072	121073	121074
121029	121075	121076	121077	121078	121079

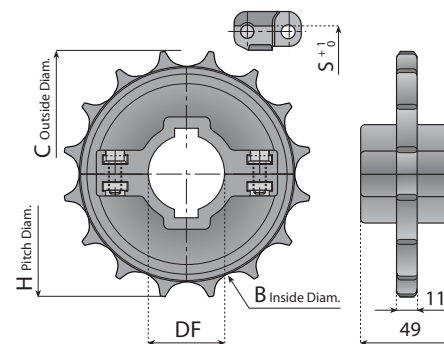
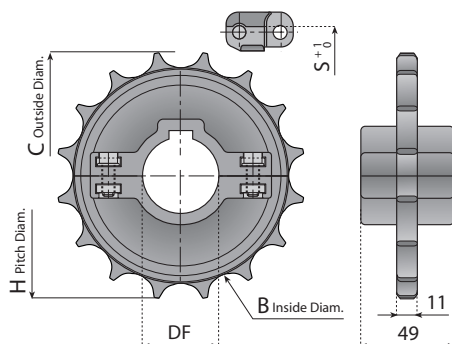
 ONE PIECE IDLER WHEELS - Floating				
Ø25	Ø 30	Ø 35	Ø 40	Ø 45
Part number				
121050	121051	121052	121053	121054
121055	121056	121057	121058	121059
121060	121061	121062	121063	121064

Material: polyamide, screws in stainless steel, nuts in zinc plated steel.
*Plain Bore

Material: polyamide.

Features:

- Excellent wear and chemical resistance.
- Reinforced design.
- Completely closed structure, easier to clean and to disinfect
- The design of the sprocket ensures smooth running and long service life.
- Increased keyway strength.

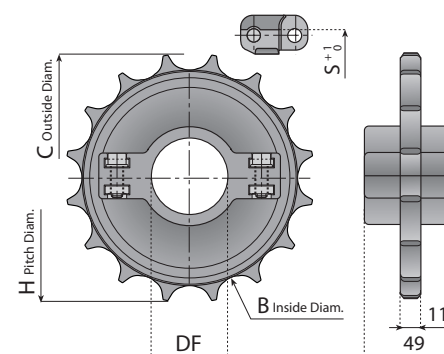
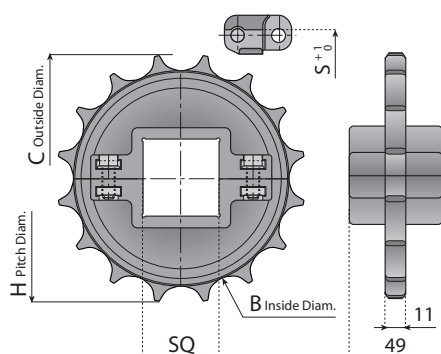


Z	B mm	C mm	H mm	S mm
16	113.00	130.90	128.90	67.80
18	128.80	146.80	144.80	75.70
19	138.30	156.30	154.30	80.50

SPLIT SPROCKETS SINGLE KEYWAY - Fixed				
	Ø 30	Ø 35	Ø 40	Ø 45
	Part number			
	123099	123100	123101	123102
	123113	123114	123115	123116
	123127	123128	123129	123130

SPLIT SPROCKETS DOUBLE KEYWAY - Floating				
	Ø 30	Ø 35	Ø 40	Ø 45
	Part number			
	123103	123104	123105	123106
	123117	123118	123119	123120
	123131	123132	123133	123134

Material: reinforced polyamide, screws in stainless steel, nuts in nickel plated brass.



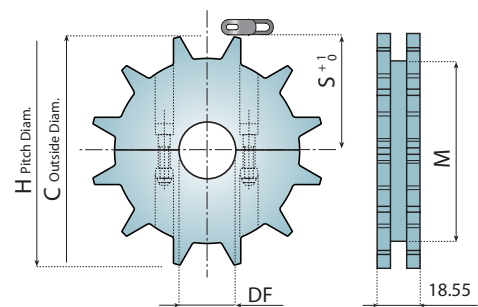
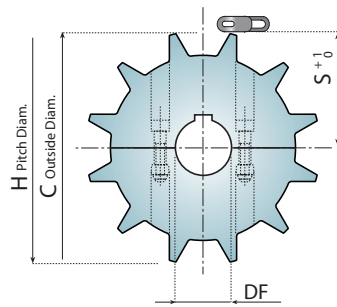
Z	B mm	C mm	H mm	S mm
16	113.00	130.90	128.90	67.80
18	128.80	146.80	144.80	75.70
19	138.30	156.30	154.30	80.50

SPLIT SPROCKETS SQUARE BORE - Floating				
	30 x 30	40 x 40	-	-
	Part number			
	123107	123108	-	-
	123121	123122	-	-
	123135	123136	-	-

SPLIT IDLER WHEELS - Floating				
	Ø 30	Ø 35	Ø 40	Ø 45
	Part number			
	123109	123110	123111	123112
	123123	123124	123125	123126
	123137	123138	123139	123140

Material: reinforced polyamide, screws in stainless steel, nuts in nickel plated brass.

All sprockets can move freely on the shaft. We recommend fixing 1 sprocket by means of side mounting collars. You can find these in our catalogue 'Conveyor Components'.



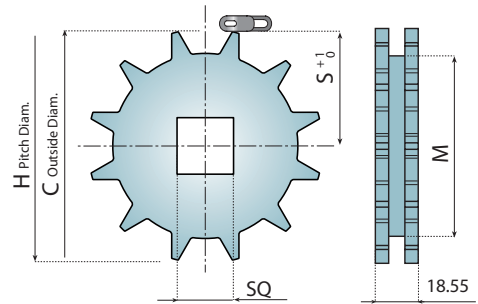
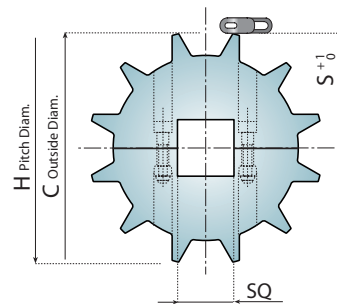
Z	H mm	C mm	M mm	S mm
10	82.2	83.3	65.3	33.0
12	98.1	100	82	41.0
15	122.2	124.3	106.3	53.0
18	146.3	147.8	129	65.0

SPLIT SPROCKETS SINGLE KEYWAY - Fixed		
Ø 25	Ø 30	Ø 40
Part number		
125915P	125916P	-
125918P	125919P	125920P
125921P	125922P	125923P
125924P	125925P	125926P

SPLIT IDLER WHEELS - Floating		
Ø 25	Ø 30	Ø 40
Part number		
125927P	125928P	-
125930P	125931P	125932P
125933P	125934P	125935P
125936P	125937P	125938P

Material: polyamide, screws in stainless steel, nuts in zinc plated steel.

Material: polyamide, screws in stainless steel, nuts in zinc plated steel.



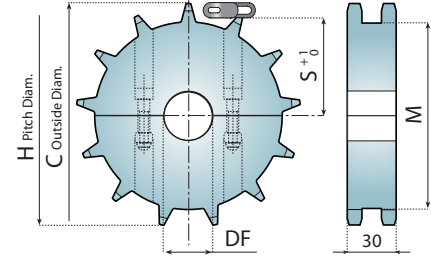
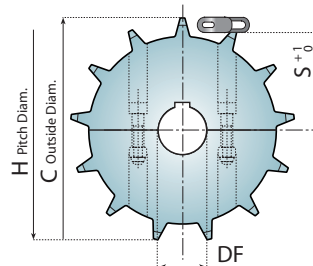
Z	H mm	C mm	M mm	S mm
10	82.2	83.3	65.3	33.0
12	98.1	100	82	41.0
15	122.2	124.3	106.3	53.0
18	146.3	147.8	129	65.0

SPLIT SPROCKETS SQUARE BORE Floating		
∅ 25x25	∅ 30x30	∅ 40x40
Part number		
125939	125940	-
125943	125944	-
125947	125948	125949
125951	125952	125953

ONE PIECE SPROCKETS SQUARE BORE Floating			
∅ 25x25	∅ 30x30	∅ 40x40	∅ 60x60
Part number			
125972	125973	125974	-
125969	125970	125971	-
125975	125976	125977	125950
125978	125979	125980	125954

Material: polyamide, screws in stainless steel, nuts in zinc plated steel.

Material: polyamide



Z	H mm	C mm	M mm	S mm	Diameter of the supporting wheel mm
10	102.8	107.7	84	45	85.0
13	132.7	138.8	114	60	116.1
15	152.7	159.4	135	70	136.7
16	162.8	169.6	145	75	146.9

SPLIT SPROCKETS - Fixed	
Ø 30	Ø 40
Part number	
125910	125911
125898	125901
125899	125902
125900	125903

SPLIT IDLER WHEELS - Floating	
Ø 30	Ø 40
Part number	
125912	125913
125904	125907
125905	125908
125906	125909

Material: polyamide, screws in stainless steel, nuts in zinc plated steel, DIN 6885 key seat.

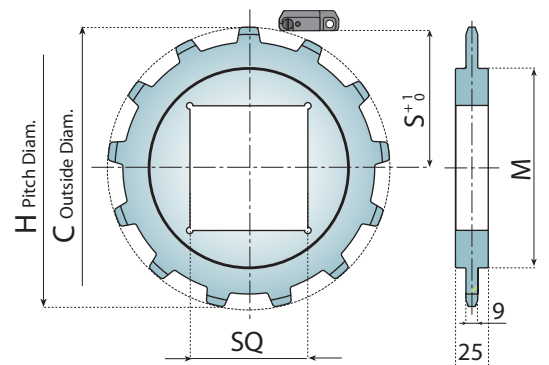
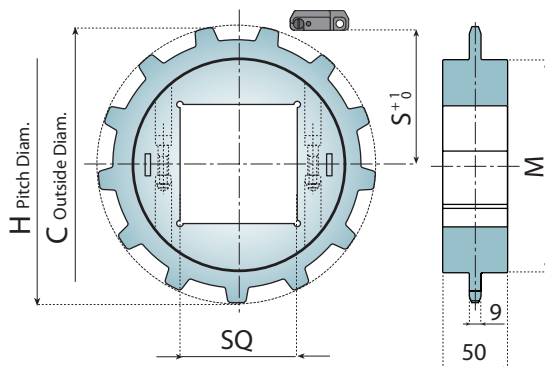
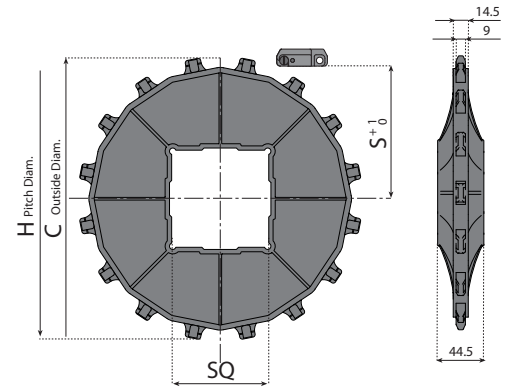
Material: polyamide, screws in stainless steel, nuts in zinc plated steel.



ONE PIECE SPROCKETS - Floating		
∅ 65x65	∅ 90x90	∅ 120x120
123209	123210	123211

Z	H	C	S
16	260.4	263.7	122.3

Material: acetal.



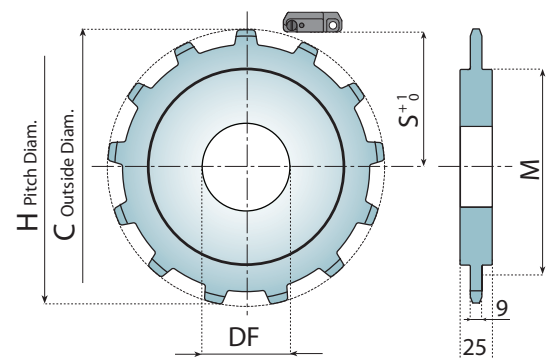
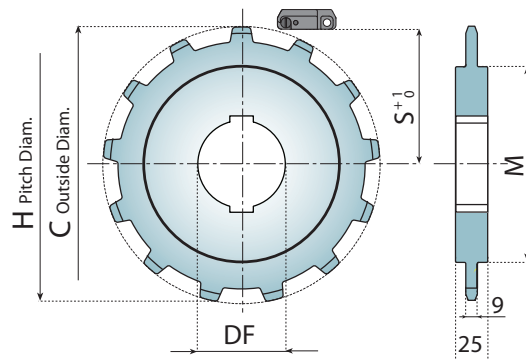
SPLIT SPROCKETS SQUARE BORE Floating				
∅ 40x40	∅ 60x60	∅ 65x65	∅ 90x90	
Part number				
-	126025	126026	126027	
-	-	-	-	
126024	126028	126029	126030	
-	126031	126032	126033	
-	126034	126035	126036	
-	126037	126038	126039	
-	-	-	126040	

Z	H mm	C mm	M mm	S mm
10	164.4	165.8	140	74.2
10	164.4	165.8	114.8	74.2
12	196.3	198.6	147.7	90.1
13	212.3	214.9	164	98.1
14	228.3	231.2	168.2	106.1
15	244.3	247.6	184.5	114.1
16	260.4	263.7	184.5	122.3

Material: acetal, screws in stainless steel, nuts in zinc plated steel.

ONE PIECE SPROCKETS SQUARE BORE Floating			
∅ 40x40	∅ 60x60	∅ 65x65	∅ 90x90
Part number			
-	-	-	-
126010	126011	126012	-
-	-	-	-
-	126013	126014	126015
-	-	-	-
-	-	-	-
-	-	-	-

Material: acetal.



ONE PIECE SPROCKETS DOUBLE KEYWAY - Floating				
∅ 40	∅ 50	∅ 65	∅ 90	
Part number				
126016	126017	126018	-	
-	-	126019	126020	
-	-	126021	126022	

Z	H mm	C mm	M mm	S mm
10	164.4	165.8	102.8	74.2
13	212.3	214.9	152	98.1
16	260.4	263.7	184.5	122.3

Material: acetal.

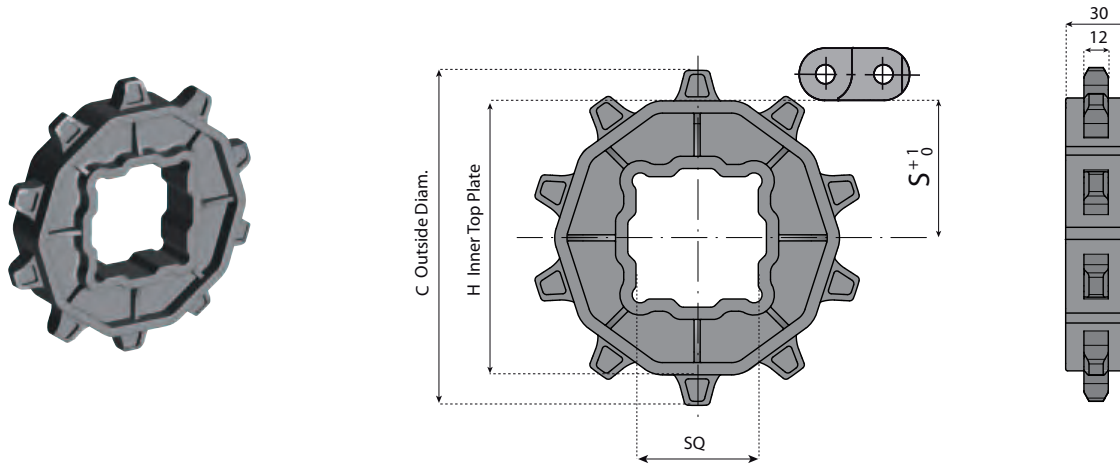
ONE PIECE IDLER WHEELS - Floating			
∅ 40	∅ 50	∅ 65	∅ 90
Part number			
126023	-	-	-
-	-	-	-
-	-	-	-

Material: acetal.

The sprockets for 2508 and 2630 series have a polygonal shape to provide optimum belt support. This is important for belts that have a large pitch and work with very high loads.

 [Pages 176](#)

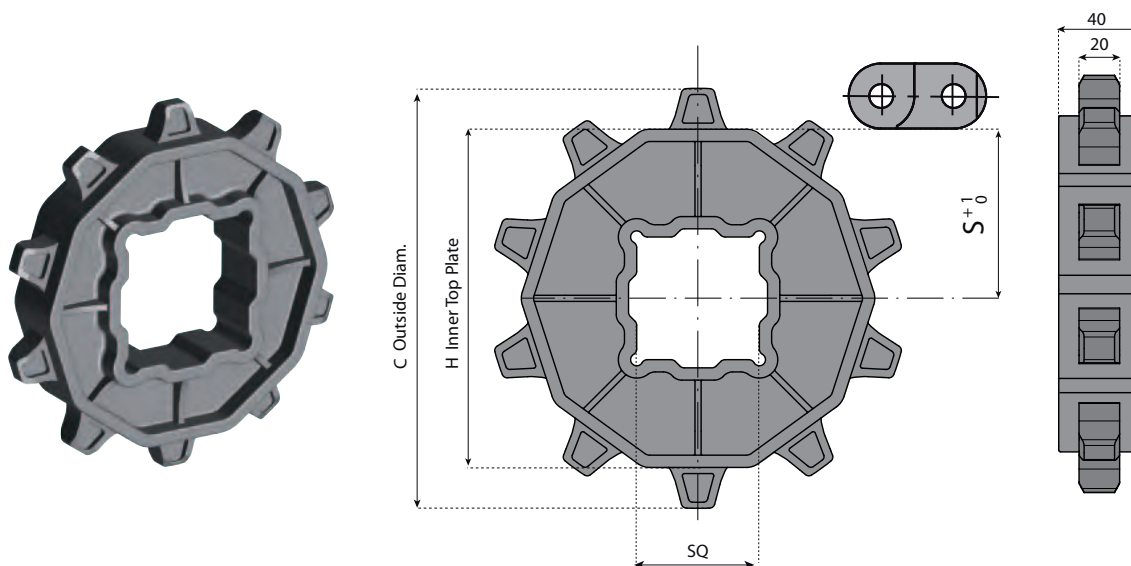
 [Pages 340](#)



ONE PIECE SPROCKETS SQUARE BORE - Floating		
	60x60	90x90
	Part number	
Z	10	123215
C mm	160.4	-
H mm	134.4	123217
S mm	68.5	123219
	12	123216
	16	123218

On request we can also provide machined sprockets with a different number of teeth or a different bore size. Please contact our Application Engineers to discuss the possibilities.

Material: reinforced polyamide.



 [Pages 177](#)

 [Pages 340](#)

ONE PIECE SPROCKETS SQUARE BORE - Floating		
	60x60	90x90
	Part number	
Z	10	123220
C mm	203.4	-
H mm	165.5	123222
S mm	84.6	123224
	13	123221
	15	123223

On request we can also provide machined sprockets with a different number of teeth or a different bore size. Please contact our Application Engineers to discuss the possibilities.

Material: reinforced polyamide.

TURNING DISK

STEEL CHAINS:

Series

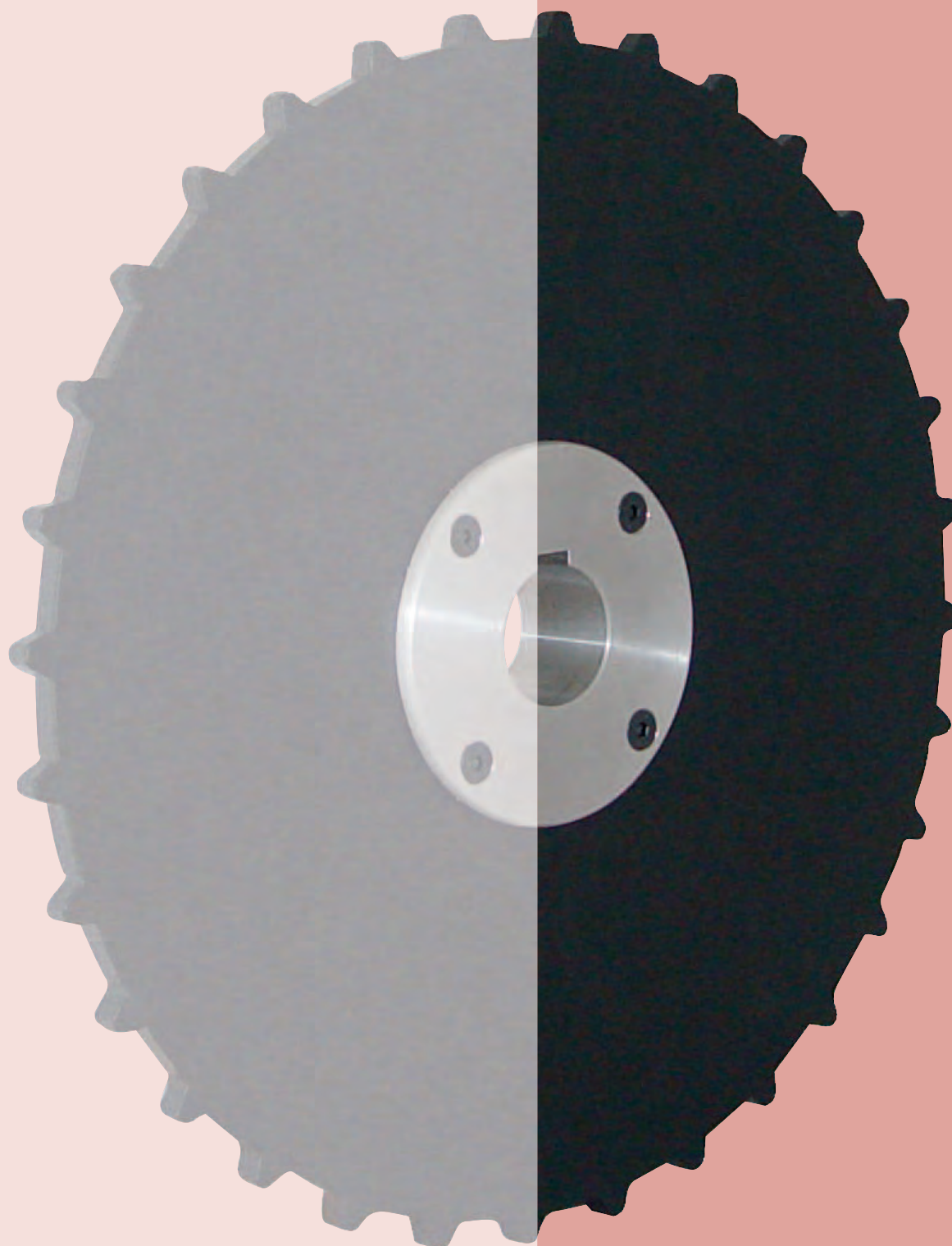
Pages

878TAB

330 → 333

MULTIFLEX CHAINS

334 → 337



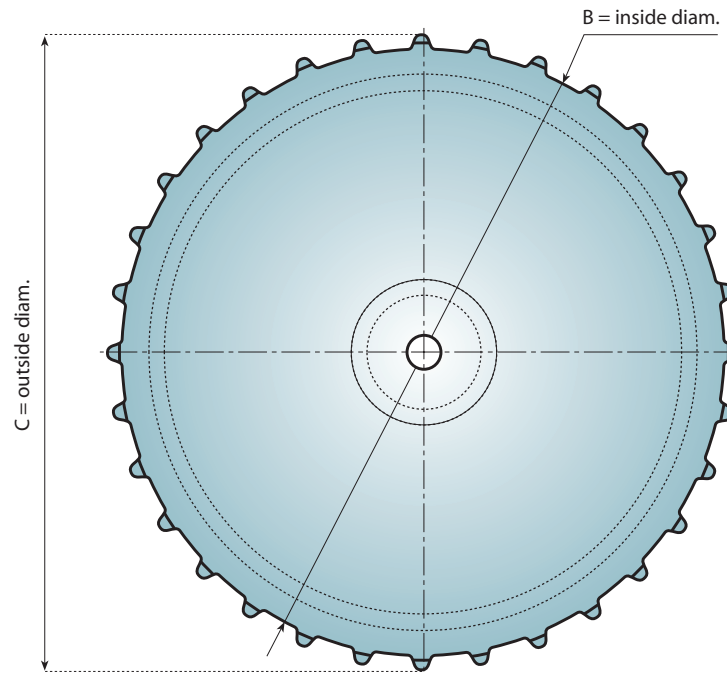
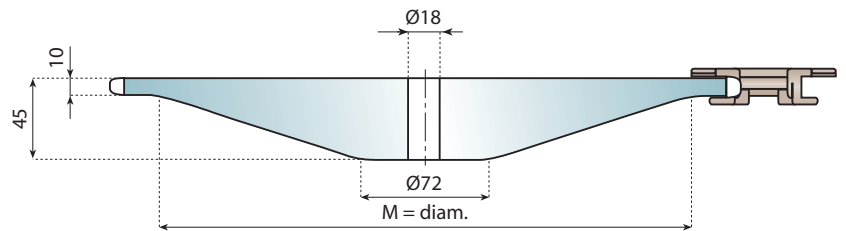
TANGENTIAL SPROCKETS

Plain bore Ø 18

Material: polyamide.

Colour: white.

CODE	Z	B mm	C mm	M mm	R mm
12817	32	337	352	295	190
12789	34	358.5	373.5	320	200



**MACHINED
VERSION**

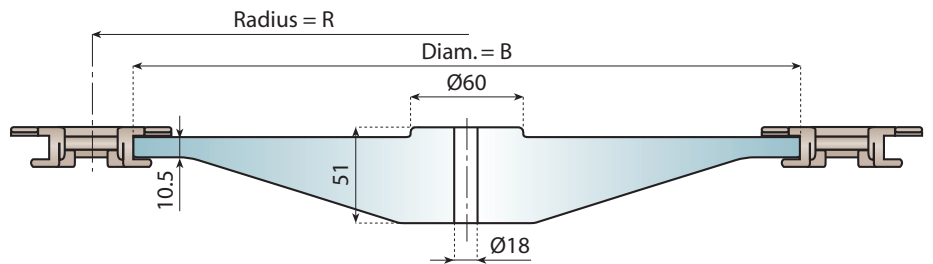
TURNING DISK

Plain bore Ø 18

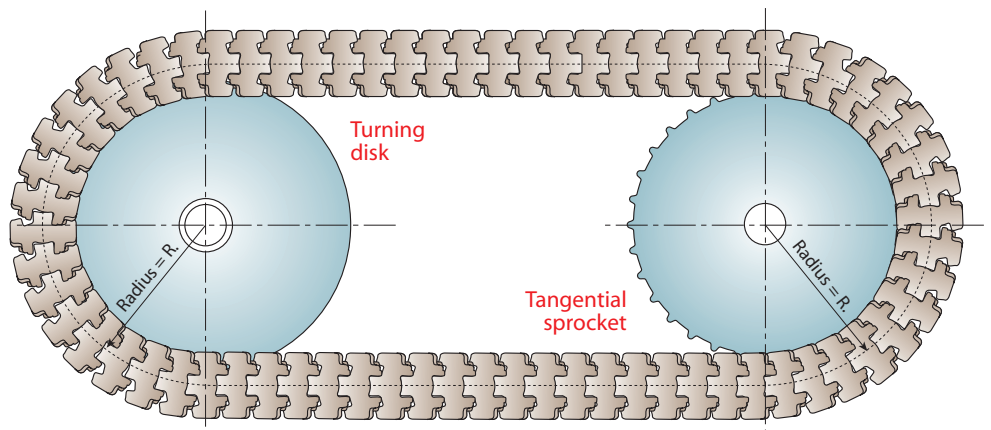
Material: polyamide.

Colour: white.

CODE	Z	B mm	R mm
12802	32	337	190
12785	34	357	200

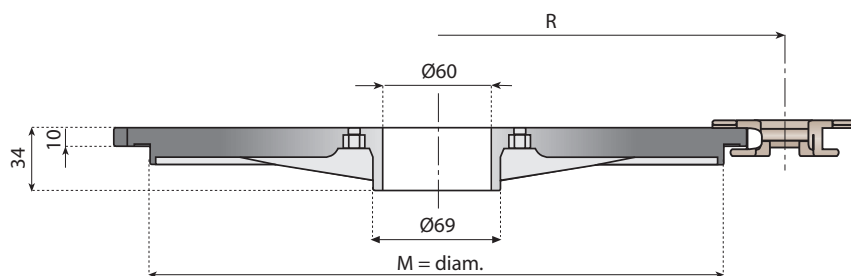


The use of tangential sprockets and turning disks enables the design of compact conveying systems with a great number of curves. It becomes easy to realise circuits either on the same level or staggered, inclined or downclined.

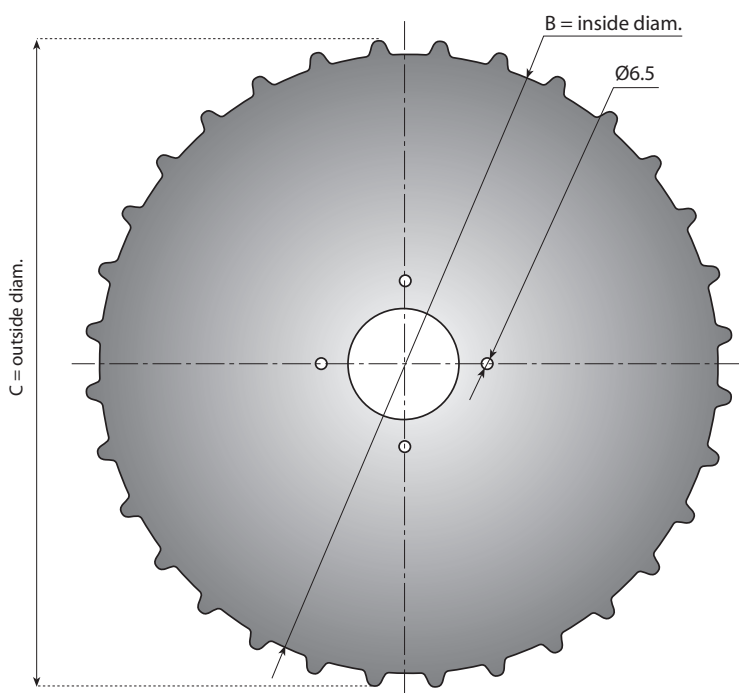


TANGENTIAL SPROCKETS

Material: polyamide.
Colour: black.



CODE	Z	B mm	C mm	M mm	R mm
12781L	32	336.0	352.0	311.0	190
12782L	34	358.5	373.5	333.5	200



 [Pages](#)
[40 - 49](#)
[56 - 62 - 63](#)

**MOLDED
VERSION**

MACHINED HUB FOR TANGENTIAL SPROCKETS

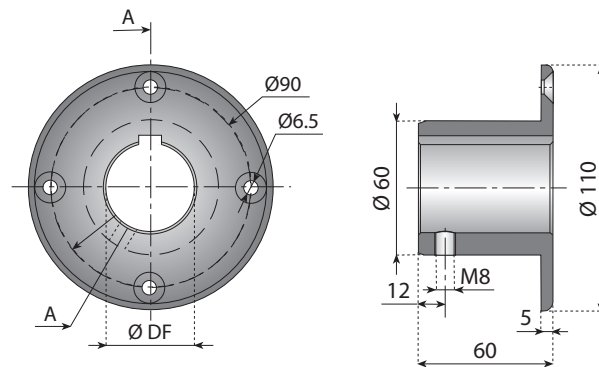
Material: aluminium.

Packaging:

1 hub for tangential sprockets
4 screws M6 in stainless steel.
4 nuts in stainless steel.

CODE	Ø DF mm
12772G	18*
12772	20
12773	25
12774	30
12775	35
12776	40

*Plain Bore

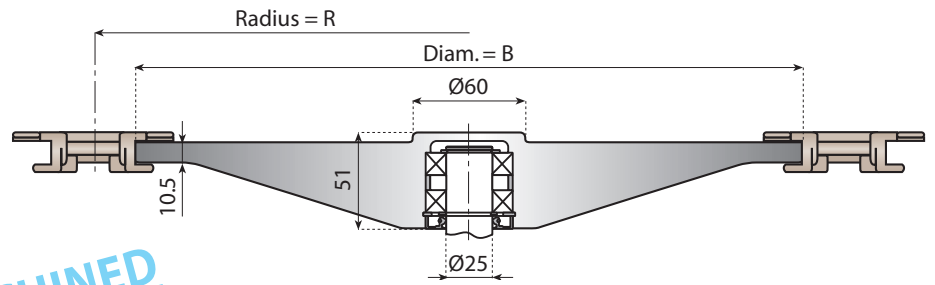




**TURNING DISK CLOSED VERSION
CARRY and RETURN**

Material: polyamide
Colour: white

CODE	Z equiv.	B mm	C mm
12813	32	337	190
12787	34	357	200

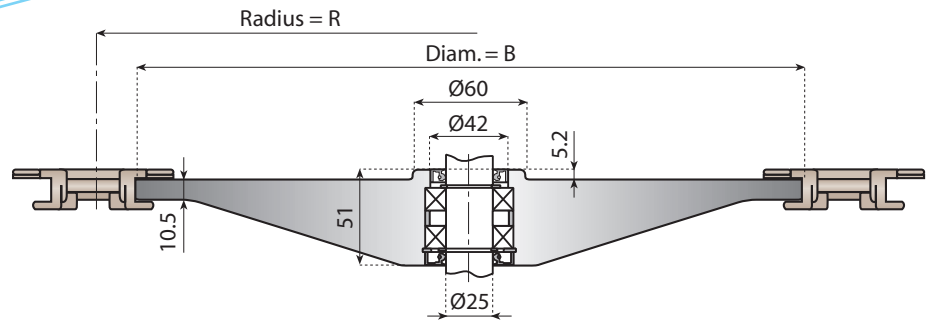


**MACHINED
VERSION**

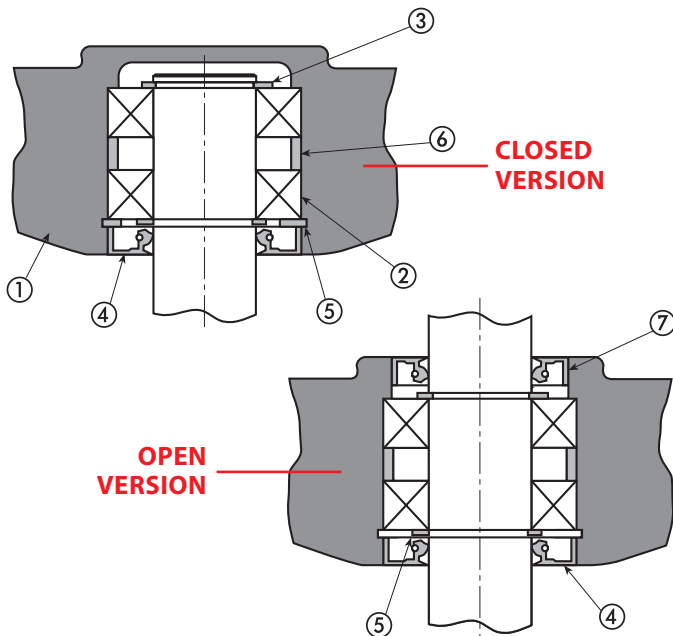
**TURNING DISK OPEN VERSION
CARRY and RETURN**

Material: polyamide
Colour: white

CODE	Z equiv.	B mm	C mm
12814	32	337	190
12788	34	357	200

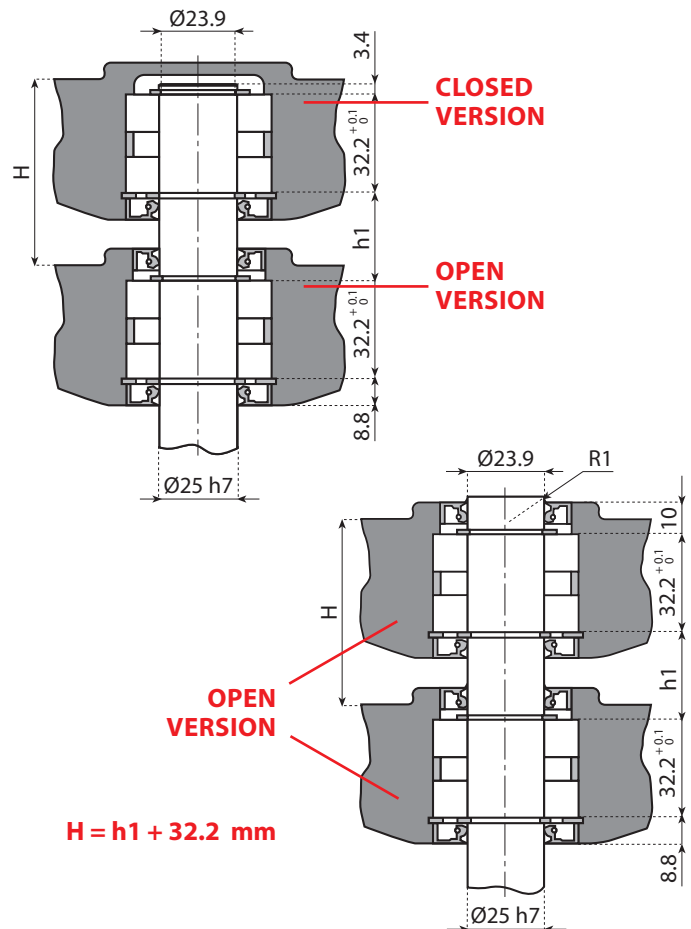


COMPONENTS



- 1 - Turning disk.
- 2 - Single race radial ball bearing with two sliding seals, type 6005-2RS (25x47x12).
- 3 - External (retaining) ring, Ø 25 DIN 471.
- 4 - Seal ring with dust cover, 25x47x7 DIN 3760 (NBR rubber).
- 5 - Internal (retaining) ring, Ø 47 DIN 472.
- 6 - Bearing spacer.
- 7 - Seal ring with dust cover, 25x42x7 DIN 3760 (NBR rubber).

SHAFT DIMENSIONS



All components are supplied separately, except the shaft bearings which are pre-assembled.

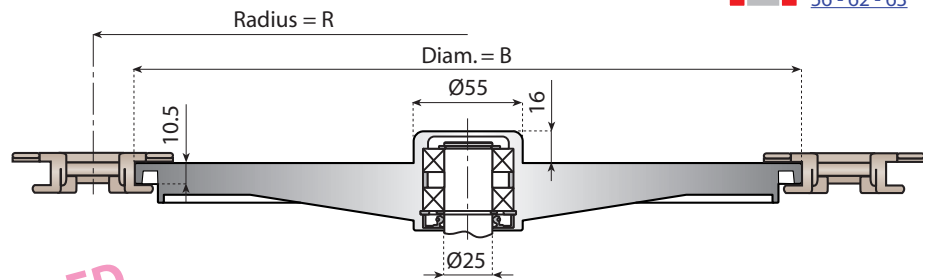
TURNING DISK CLOSED VERSION CARRY and RETURN



Pages
40 - 49
56 - 62 - 63

Material: polyamide
Colour: black

CODE	Z equiv.	B mm	R mm
12779	32	337	190
12780	34	357	200

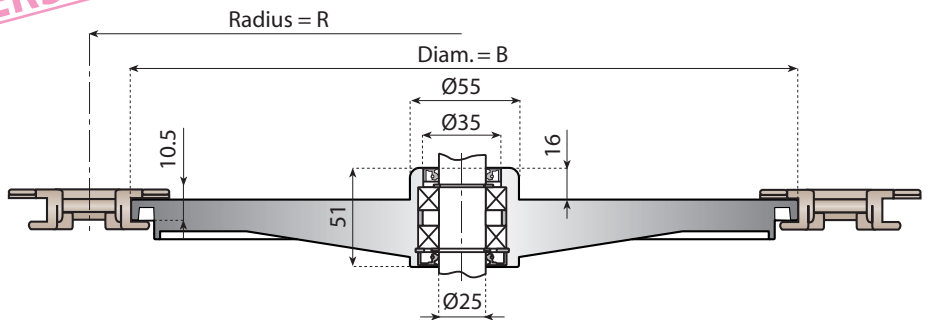


MOLDED VERSION

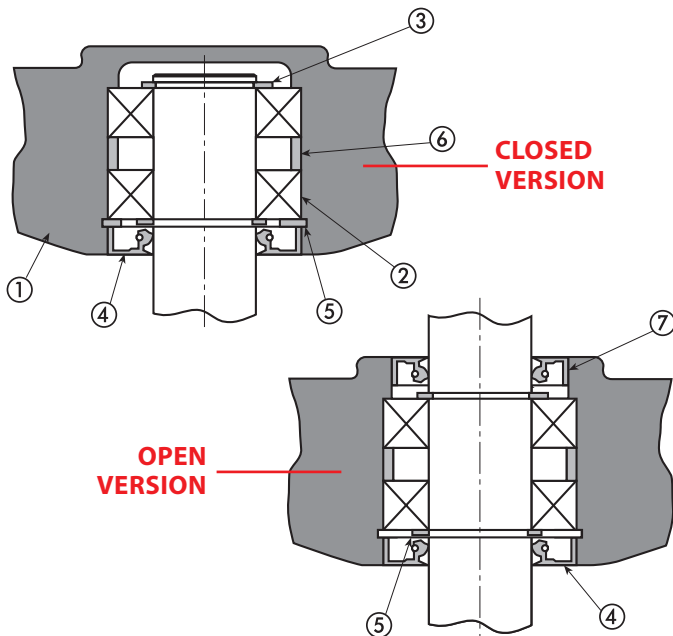
TURNING DISK OPEN VERSION CARRY and RETURN

Material: polyamide
Colour: black

CODE	Z equiv.	B mm	R mm
12777	32	337	190
12778	34	357	200

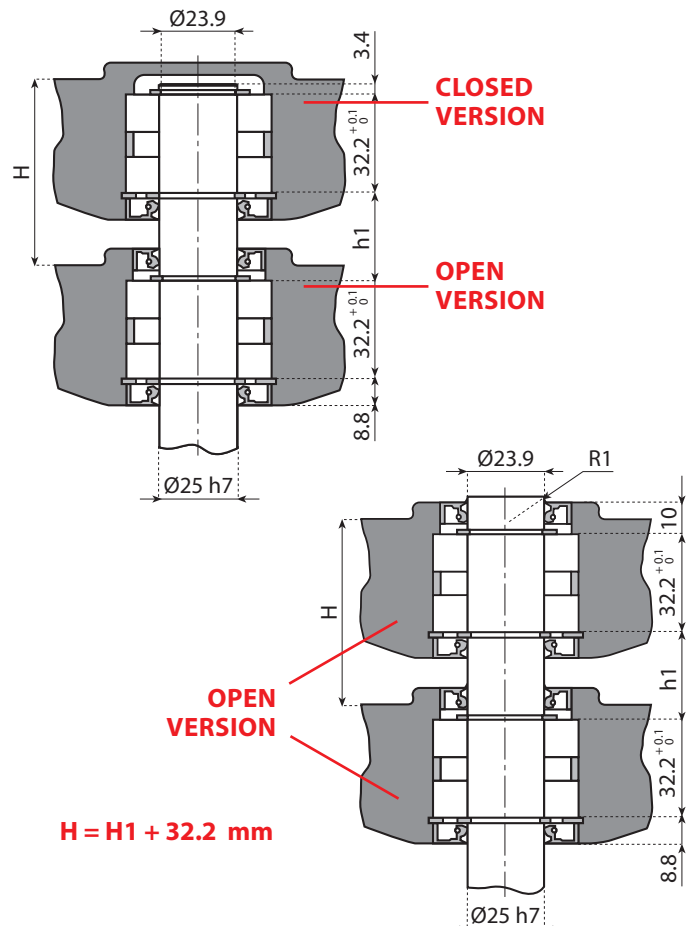


COMPONENTS



- 1 - Turning disk.
- 2 - Single race radial ball bearing with two sliding seals, type 6005-2RS (25x47x12).
- 3 - External (retaining) ring, Ø 25 DIN 471.
- 4 - Seal ring with dust cover, 25x47x7 DIN 3760 (NBR rubber).
- 5 - Internal (retaining) ring, Ø 47 DIN 472.
- 6 - Bearing spacer.
- 7 - Seal ring with dust cover, 25x35x7 DIN 3760 (NBR rubber).

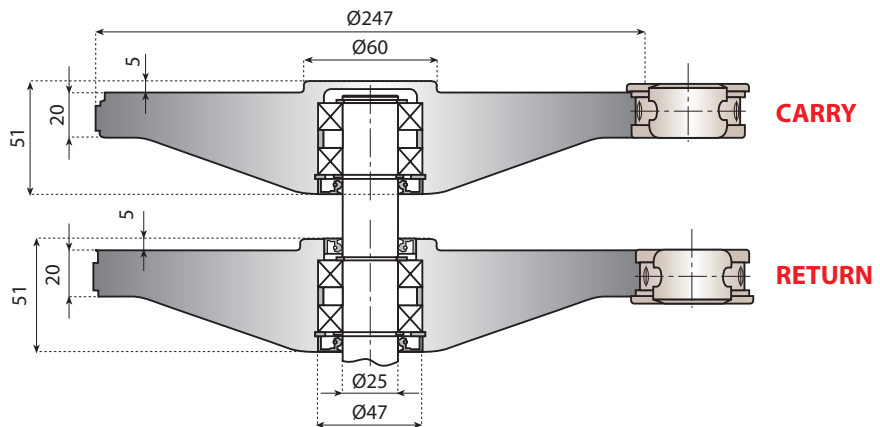
SHAFT DIMENSIONS



All components are supplied separately, except the shaft bearings which are pre-assembled.



Pages
76 - 80
81 - 82



TURNING DISK - Closed version

Material: polyamide
Colour: black

**MACHINED
VERSION**

TURNING DISK - Closed version

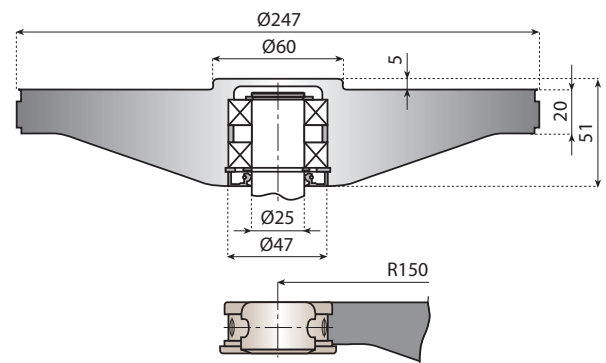
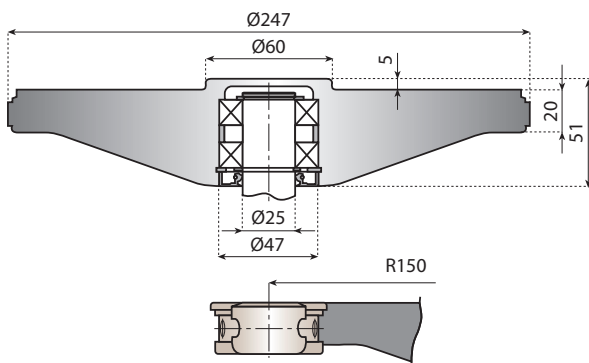
Material: polyamide
Colour: black

CODE
12805

CARRY

CODE
12806

RETURN



TURNING DISK - Open version

Material: polyamide
Colour: black

TURNING DISK - Open version

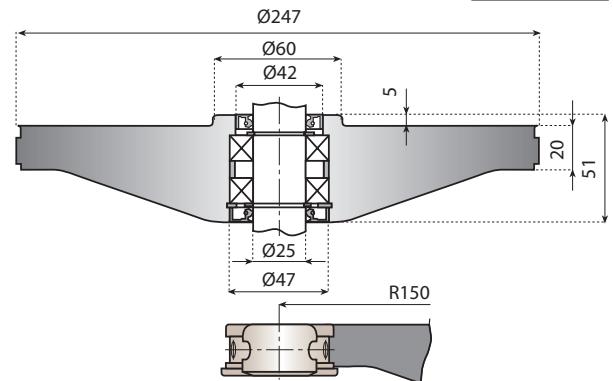
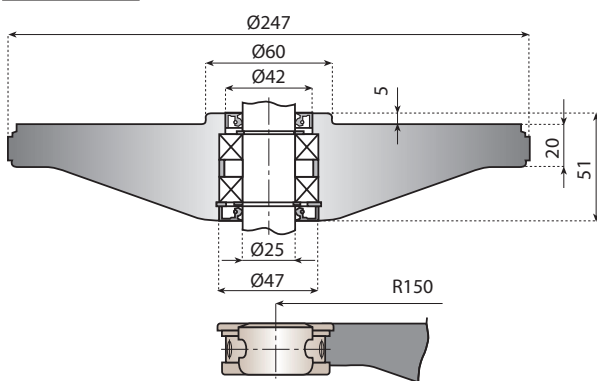
Material: polyamide
Colour: black

CODE
12807

CARRY

CODE
12808

RETURN



All components are supplied separately, except the shaft bearings which are pre-assembled.

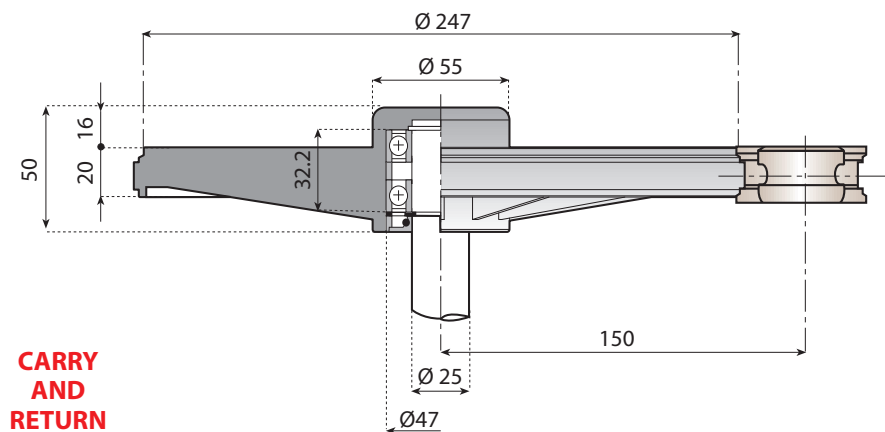
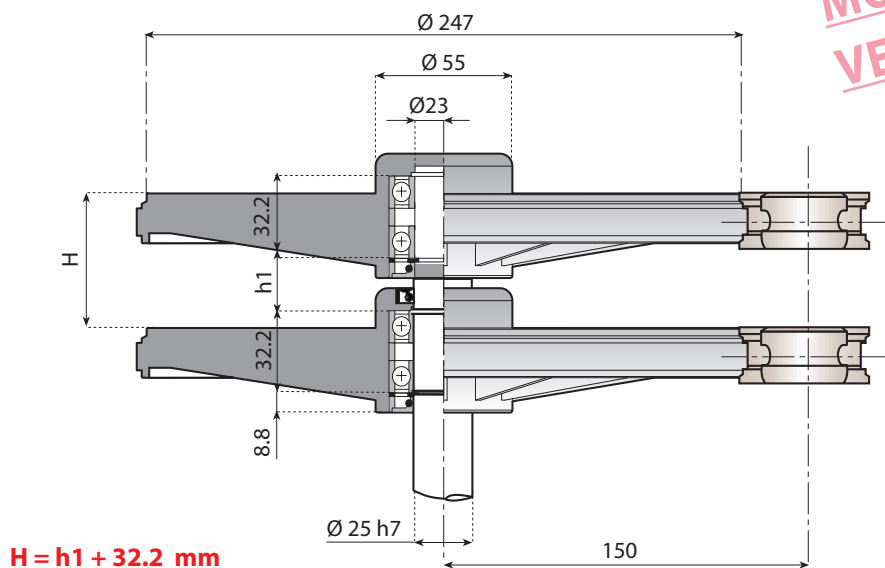
TURNING DISK for multiflex chains

1700 - 1702 - HMGK 50 FN
7000 - 7001 - 7005

**MOLDED
VERSION**



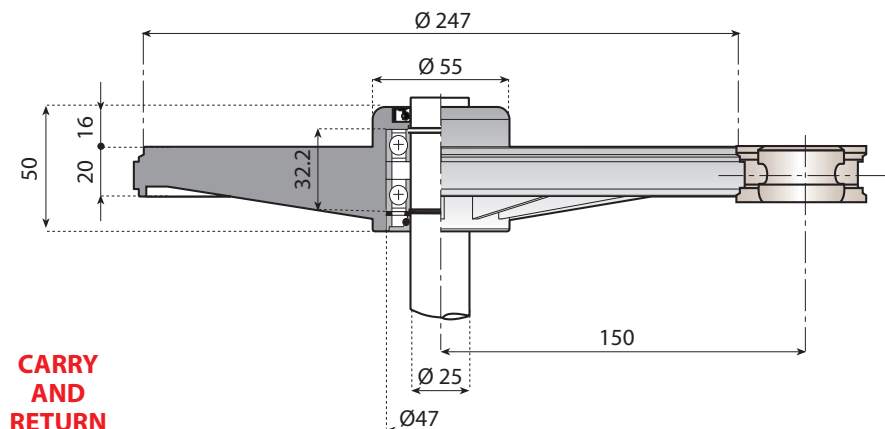
Pages
76 - 80
81 - 82



TURNING DISK - Closed version

Material: polyamide reinforced with glass fiber.
Colour: black.

CODE
12723



TURNING DISK - Open version

Material: polyamide reinforced with glass fiber.
Colour: black.

CODE
12725

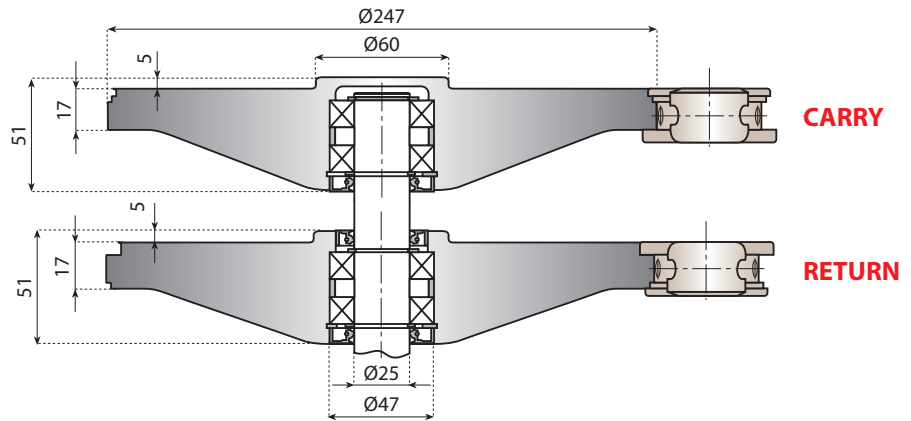
All components are supplied separately, except the shaft bearings which are pre-assembled.

1701 TAB - 1701 TAB OP
7000 TAB - 7001 TAB - 7005 TAB

TURNING DISK
for multiflex chains



 Pages
77 - 78
81 - 82



TURNING DISK - Closed version

Material: polyamide
Colour: black

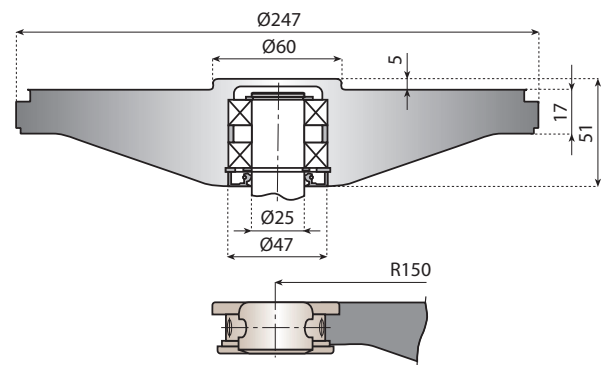
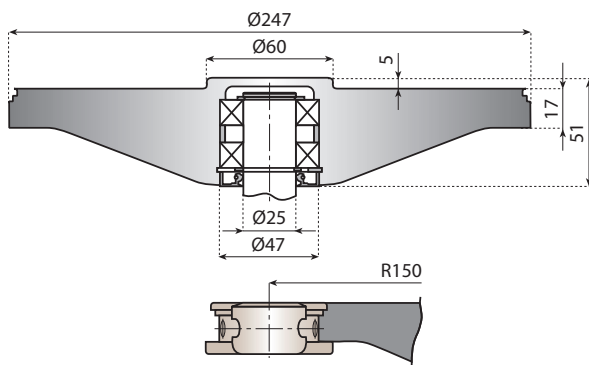
CODE	CARRY
12809	

**MACHINED
VERSION**

TURNING DISK - Closed version

Material: polyamide
Colour: black

CODE	RETURN
12810	



TURNING DISK - Open version

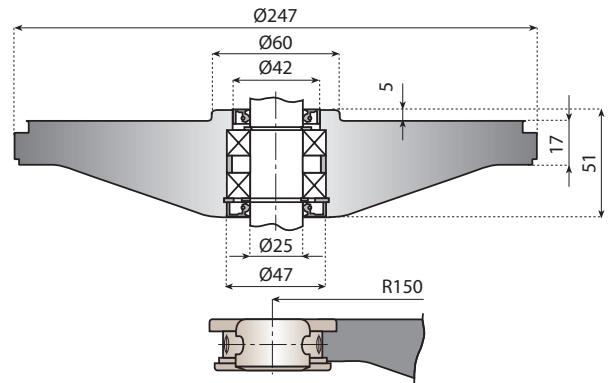
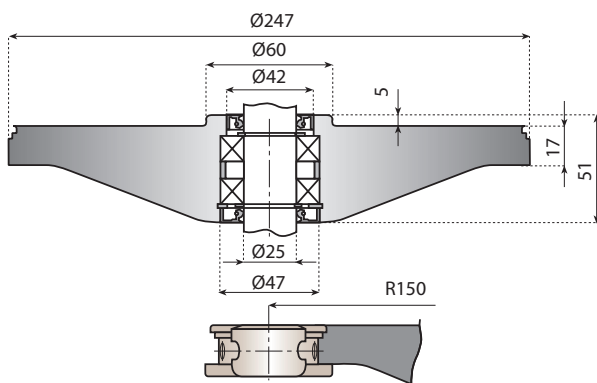
Material: polyamide
Colour: black

CODE	CARRY
12811	

TURNING DISK - Open version

Material: polyamide
Colour: black

CODE	RETURN
12812	

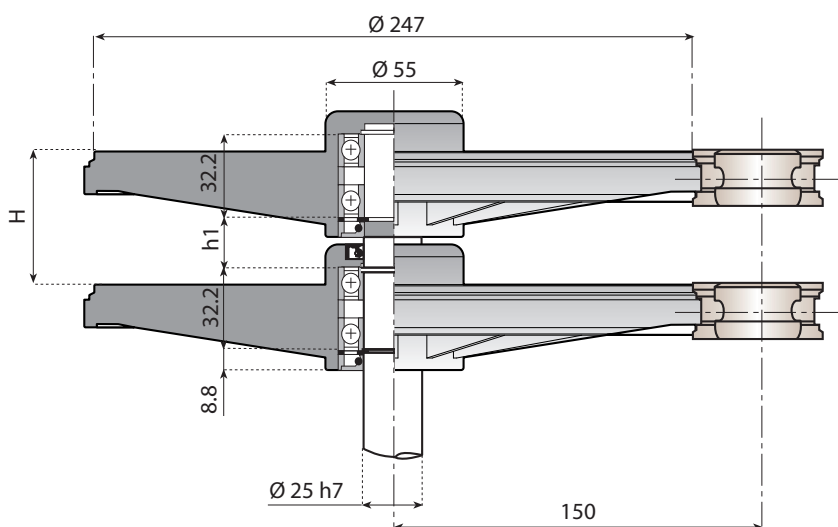


All components are supplied separately, except the shaft bearings which are pre-assembled.

TURNING DISK for multiflex chains

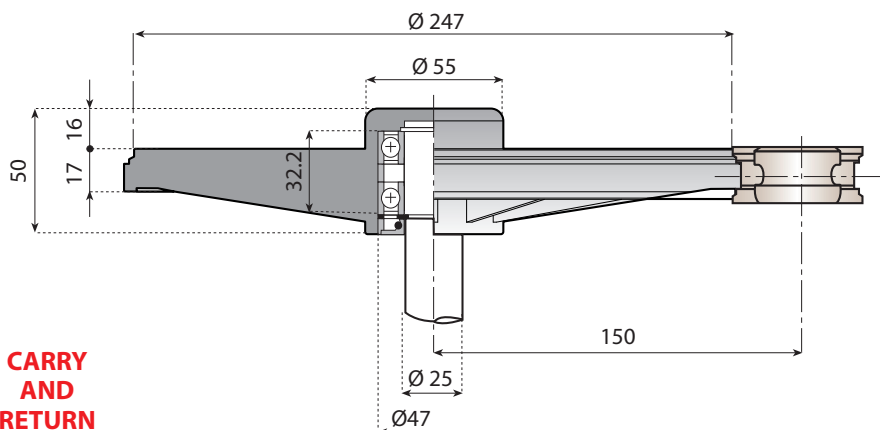
1701 TAB - 1701 TAB OP
7000 TAB - 7001 TAB - 7005 TAB

Pages
77 - 78
81 - 82



**MOLDED
VERSION**

H = h1 + 32.2 mm



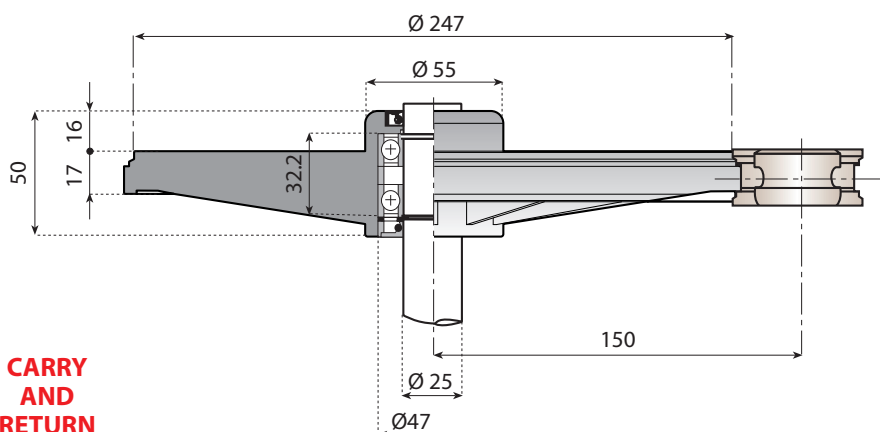
**CARRY
AND
RETURN**

TURNING DISK - Closed version

Material: polyamide reinforced with glass fiber.

Colour: black.

CODE
12783



**CARRY
AND
RETURN**

TURNING DISK - Open version

Material: polyamide reinforced with glass fiber.

Colour: black.

CODE
12784

All components are supplied separately, except the shaft bearings which are pre-assembled.



System Plast

**TECHNICAL
INFORMATION**

TECHNICAL INFORMATION - keyway dimensions

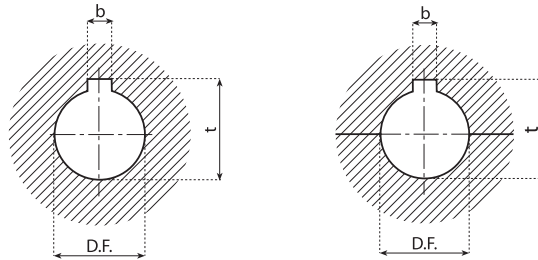
Note: Plain bores require to be machined.

In the tables for our sprockets on pages 274 up to 328 you will see a classification for the fitting on the shaft. There are three classifications: A **Fixed** fitting means that the sprockets are not able to move after installation. This applies to split sprockets. A **Tight** fitting means that the sprockets can be moved on the shaft, but there is virtually no play. This applies to one piece sprockets only. A **Floating** fitting means that the sprockets are able to move along the shaft and follow belt expansion and contraction. This applies to all square bores, all bores with double keyway and all idler bores.

Sprockets that are not floating, can be made floating on request. In that case, please order a **Plus** bore and add a **P** behind the code number.

SINGLE KEYWAY SPROCKETS - METRIC SIZE

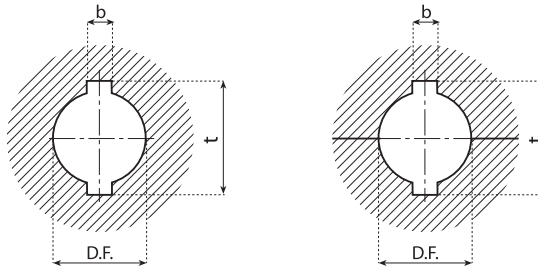
STANDARD - FIXED		
DF mm	b mm	t mm
nominal		
20	6	22.8
25	8	28.3
30		33.3
35	10	38.3
40	12	43.3
45	14	48.8
50		53.8
65	18	69.4
90	25	95.4



KEY TO BE USED ACCORDING TO UNI 6604 - 69 /ISO 773 - DIN 6885

DOUBLE KEYWAY SPROCKETS - METRIC SIZE

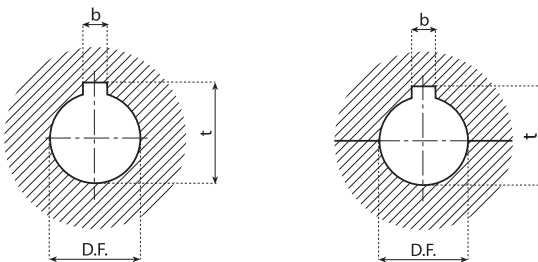
DF mm	b mm	t mm
nominal		
20	6	25.6
25	8	31.6
30		36.6
35	10	41.6
40	12	46.6
45	14	52.6
50		57.6
65	18	73.8
90	25	100.8



KEY TO BE USED ACCORDING TO UNI 6604 - 69 /ISO 773 - DIN 6885

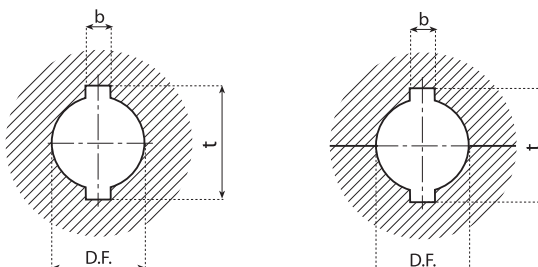
SINGLE KEYWAY SPROCKETS - IMPERIAL SIZE

STANDARD - FIXED		
DF inch	b inch	t inch
nominal	nominal	nominal
1	1/4	1" + 1/8"
1 1/4		1 1/4" + 1/8"
1 7/16	3/8	1 7/16" + 3/16"
1 1/2		1 1/2" + 3/16"
1 3/4		1 3/4" + 3/16"



DOUBLE KEYWAY SPROCKETS - IMPERIAL SIZE

STANDARD - FIXED		
DF inch	b inch	t inch
nominal	nominal	nominal
1	1/4	1" + 1/4"
1 1/4		1 1/4" + 1/4"
1 7/16	3/8	1 7/16" + 3/8"
1 1/2		1 1/2" + 3/8"
1 3/4		1 3/4" + 3/8"



INTERNATIONAL SYSTEM (SI) CONVERSION FACTORS

TO CONVERT SI (METRIC)	SYMBOL SI	DIVIDED BY FACTOR	TO OBTAIN
LENGTH			
meter	m	0.3048	foot
centimeter	cm	30.48	foot
millimeter	mm	304.8	foot
meter	m	0.0254	inch
centimeter	cm	2.54	inch
millimeter	mm	25.4	inch
meter	m	1609.34	mile
kilometer	km	1.60934	mile
meter	m	0.9144	yard
MASS			
grams	g	28.3495	ounce
kilogram	kg	0.0283495	ounce
kilogram	kg	0.45359	pound
VELOCITY			
meter/minute		0.00508	foot/hour
meter/hour		0.3048	foot/hour
meter/minute		0.3048	foot/minute
meter/second	m/s	0.00508	foot/minute
meter/minute		18.288	foot/second
meter/second	m/s	0.3048	foot/second
FORCE AND FORCE/LENGTH			
newton	N	9.80665	kilogram-force
newton	N	4448.22	kilopound
newton	N	0.27801	ounce-force
newton	N	4.44822	pound-force
newton/meter	N/m	175.1268	pound/inch
newton/meter	N/m	14.5939	pound/foot

APPLICATION TEMPERATURES

Material	Symbol	User for	Min temp. °C	Max. temp. °C	
				Dry	Wet
Carbon steel	C45	Steel chains, roller chains	-70	180	not recommended
Ferritic stainless steel	Standard	Steel chains	-30	400	130
Extra stainless steel	Extra	Steel chains	-30	400	130
Extra plus stainless steel	Extra plus	Steel chains	-30	400	130
Austenitic stainless steel	Austic	Steel chains, roller chains	-30	400	130
Acetal resin	D,W	Plastic chains	-40	80	65
Low friction acetal resin	LF (all colors)	Plastic chains and belts	-40	80	65
Extra performance acetal resin	XPG	Plastic chains and belts	-40	80	65
Anti static acetal resin	AS	Plastic chains and belts	-40	80	not applicable
Delrin kevlar	DK	Plastic chains and belts	-40	80	65
New generation	NG (all colors)	Plastic chains and belts	-40	120	60
Polypropylene	PP (all colors)	Plastic chains and belts	0	104	104
Chemical resistant	CR	Plastic chains	0	104	104
High temperature resistance	HT	Plastic chains and belts	0	140	140
Abrasion resistant	AR	Plastic chains	0	90	90
Thermoplastic rubber SEBS	TPR	VG chains and belts, gripper chains	-40	100	100
NBR rubber	NBR	Gripper chains	-25	100	100
EPDM rubber	EPDM	Gripper chains	-40	120	120
EPDM-PP rubber	EPDM-PP	Gripper chains	-40	120	120
Polyamide	PA	Sprockets, components	0	90	90
Polyamide reinforced	PA FV	Sprockets, bearing, components	0	90	90
Polypropylene	PP	Components	0	104	104
Polypropylene reinforced	PP FV	Bearing, components	0	104	104
Polyethylene	PE	Curves, components	-40	80	80
Nolu-S	Nolu-S	Curves, components	-40	80	80

CHEMICAL RESISTANCE

Data shown in the table was taken from laboratory tests performed on unstrained samples and are merely indicative.

Chemical resistance under normal working conditions can depend on various factors, such as stress and temperature, concentration of the chemical agent and duration of its effects.

Valid for ambient temperature (21°C)

Chemical agent	METALS				PLASTICS						RUBBERS			
	EXTRA	AISI 304	AISI 316	OT.NI	POM	PBT	PP	PA	PE	EPDM	NBR	SEBS	VITON	
	C %	C %	C %	C %	C %	C %	C %	C %	C %	C %	C %	C %	C %	
Acetic Acid	5 ☆	20 ☆	100 ☆	○	5 ●	10 ☆	40 ☆	10 ●	10 ☆	25 ☆	●	25 ○	20 ●	
Acetone	☆	25 ☆	☆	☆	○	○	☆	100 ☆	☆	☆	●	○	●	
Acrylonitrile			☆					100 ☆		☆	●	○	●	
Aluminium chloride		○	10 ○	○				○	10 ☆		☆	☆	SA ☆	
Aluminium sulphate			SA ☆	☆				☆	10 ☆	☆	☆	☆	SA ☆	
Amyl alcohol			☆	☆		☆	☆	10 ☆	☆	☆		☆	☆	
Ammonia	☆	100 ☆	☆	☆	●	☆	○	30 ☆	10 ☆	☆	☆	○	○	
Ammonium chloride			○	☆				10 ☆	10 ☆		☆	☆	SA ☆	
Aniline	☆	☆	☆	☆				☆	100 ○	3 ☆	●	●	☆	
Barium chloride			○	SA ☆				☆	10 ☆		☆	☆	☆	
Beer	☆	☆	☆	☆	☆	☆		☆	☆	☆	☆	☆	☆	
Benzene	☆	70 ○	○	☆	☆	●	☆	☆		○	●	●		
Benzoic acid		100 ☆	SA ☆	☆			☆	SA ☆	SA ○		●	☆	☆	
Benzol			☆	☆	☆	☆	○	100 ☆	☆	○	●	●	○	
Boric acid		○	SA ☆	☆			10 ☆	SA ☆	10 ☆	SA ☆	☆	☆	SA ☆	
Brine	10 ●		○	☆			☆	○	○	☆	☆	☆	○	
Butter			☆	☆	☆	☆	☆	☆	☆	☆	☆	☆	○	
Butyl acetate				☆			○	○	100 ☆		○	○	●	
Butyl alcohol			☆					☆	100 ☆		☆	○	☆	
Butyl glycole				☆				☆	100 ☆		☆		☆	
Calcium chloride	●		○	☆	☆		☆	50 ☆	10 ☆	SA ☆	☆	☆	SA ☆	
Carbon sulphide			☆	☆		☆		☆	100 ☆		●	●	☆	
Carbon tetrachloride		10 ☆	☆	☆	☆	☆		●	☆			●	☆	
Chlorine water	●	●	○	○	●	●	●	●		●	3 ○	○	3 ○	
Chloroform	○	10 ☆	☆	☆	☆	●	●	○	100 ●	●	●	●	☆	
Chromic acid		25 ☆	50 ○	○			○		1 ○	○	50 ○	●	50 ●	
Citric acid	10 ☆	☆	SA ☆	☆	●	○	10 ☆	10 ☆	10 ○	☆	☆	☆	SA ☆	
Cyclohexane				☆				☆	☆	100 ☆	●	☆	☆	
Cyclohexanol				☆				☆	☆	100 ☆	●	☆	○	
Decalin				☆			○	○	○	☆	●	○	●	
Dioxane				☆			☆	○	☆		○	●	●	
Distilled water	☆	10 ☆	☆	☆	☆	☆	☆	☆	☆	☆	☆	☆	●	
Ethyl acetate			○	☆			○	☆	100 ☆			●	○	
Ethyl alcohol			☆		☆			96 ☆	96 ☆			○	☆	
Ethyl chloride			☆		○			●	100 ☆	○		○	●	
Ethyl ether				☆				☆	☆	100 ☆			☆	
Ferric chloride			○	☆			10 ☆	☆	10 ☆		☆	☆	SA ☆	
Food fats	☆	100 ☆	☆	☆	☆	☆	☆	☆	☆	☆	○	☆	○	
Food oils	☆	☆	☆	☆	☆	☆	☆	☆	☆	☆	☆	☆	☆	
Formaldehyde	☆	☆	☆	☆	☆	☆	☆	40 ☆	30 ☆	○	○	○	○	
Formic acid	2 ○	●	100 ☆	☆	☆	10 ●	○		10 ●	10 ●	☆	●	☆	
Freon 12			☆				☆		☆		☆	☆	☆	
Fresh water	☆	☆	☆	☆	☆	☆	☆	☆	☆	☆	☆	☆	☆	
Fruit juice	☆	☆	○	☆		☆	☆	☆	☆	☆	☆	☆	☆	
Gasoline	☆	☆	☆	☆	○		○	○	☆	○	●	○	●	
Glycerine	☆	☆	☆	☆	☆	☆	☆	☆	☆	☆	☆	☆	☆	
Hydrochloric acid	●	●	●	○	35 ●	20 ○	30 ☆	●	35 ☆	15 ☆	○	15 ☆	37 ☆	
Hydrofluoric acid			●	●				40 ☆	●	70 ☆		●	48 ☆	
Hydrogen peroxide	3 ☆	☆	100 ☆	☆					●		30 ○	●	30 ●	
Isopropyl alcohol				☆			☆	☆	☆		☆		☆	
Lactic acid		○		☆	●	☆	10 ☆	20 ☆	☆	☆	○	☆	○	
Linseed oil			☆	☆		☆	☆	☆	☆	☆	○	☆	●	

Chemical agent	METALS					PLASTICS					RUBBERS								
	EXTRA	AISI 304	AISI 316	OT.NI	POM	PBT	PP	PA	PE	EPDM	NBR	SEBS	VITON						
	C %	C %	C %	C %	C %	C %	C %	C %	C %	C %	C %	C %	C %						
Magnesium chloride			○	☆			☆	☆	☆		☆	☆	☆	SA	☆				
Methyl acetate			○	☆			○	☆	☆		○	●	●		●				
Methyl alcohol		80	☆	☆	☆	☆	☆	☆	☆		☆	○	☆		○				
Methylene chloride		○	○	☆		●	●	○	☆	○	●	●	●		○				
Milk		☆	☆	☆	☆	☆	☆	☆	☆	☆	○	☆	☆		☆				
Mineral oil			☆	☆		☆	☆	☆	☆	☆	●	☆	●		☆				
Nitric acid	25	○	65	☆		●	10	●	25	●	●	○		10	●		70	☆	
Nitrobenzene				☆				☆	☆	○		●	●	○			○		
Oleic acid		○		☆	☆	☆		☆	☆	☆	○	●	○	●			○		
Oxalic acid			65	☆	☆			10	☆	☆	○		○	○	○			☆	
Paraffin				☆		☆		☆			☆	○			●				
Petroleum			☆	☆	☆	☆	☆	☆	☆	☆	●	●	☆	●				☆	
Petroleum ether			☆	☆	☆	☆		○	☆	☆		●	●	●				☆	
Phenol			☆	☆			●	☆	●			○	●	○				☆	
Phosphoric acid	25	○		●	☆	●	●	☆	●	☆		☆	20	○		☆	85	☆	
Potassium bichromate				SA	☆			○	☆	☆	○		☆	○		○	SA	☆	
Potassium bromite					☆			☆	☆	☆	☆		☆	☆		☆		☆	
Potassium hydroxide	☆	50	☆	☆		●	●	☆	☆	☆		☆	○		☆			☆	
Potassium permanganate			☆	☆				☆	☆	●		10	☆	●	10	○		☆	
Sea water		●		☆	☆	☆	○	☆	☆	☆	☆	☆	☆	☆	☆	○		☆	
Silicone oil				☆				☆	☆	☆			☆	☆	☆			☆	
Silver nitrate			○	☆					☆	☆				○				☆	
Sodium carbonate		☆	100	☆	SA	☆	☆	10	☆	☆	☆	☆	☆	☆	☆	☆		☆	
Sodium chloride		○		○	☆	☆			☆	☆	☆	☆	☆	☆	☆		SA	☆	
Sodium hydroxide	40	☆		☆	60	☆		10	●		☆		☆	○		☆			
Sodium hypochlorite			●	SA	○	●	10	○		☆	☆	☆	10	☆	●	10	○	5	☆
Sodium silicate			100	☆	☆						☆		☆	☆	☆			☆	
Sodium sulphate			100	☆	☆						☆		○	☆	☆			☆	
Soft drinks			☆	☆		☆	☆	☆	☆	☆	☆	☆	☆	☆	☆			☆	
Suds			☆	☆	☆	☆	10	☆	☆	☆	☆	☆	☆	☆	☆			☆	
Sulphuric acid	●		●	○	☆	●	2	☆	☆	●	○	50	☆	●	50	○	95	☆	
Tartaric acid	☆	50	☆	☆	●	○	50	☆	☆	☆	☆	☆	○	☆	☆			☆	
Tetrahydrofuran				☆				☆		○	☆		●	●	●			●	
Tetralin			●	☆				☆		●	☆		●	●	●			☆	
Tincture of iodine			○	☆	●				☆	●	☆		○	●	○			☆	
Toluol	☆			☆				☆	☆	☆		●	●	●				○	
Transformer oil	☆			☆				☆	○	☆		●	☆	●				☆	
Trichloroethylene			●	100	☆			●	○	○		●	●	●				☆	
Triethanolamin				☆				☆	☆	☆		○	●	○				●	
Turpentine	☆		☆	☆		●	☆				●	●		●				☆	
Vaseline				☆				☆		☆	○	●	☆	●				☆	
Vegetable juice	☆		☆	☆	☆	☆	☆	☆	☆	☆	☆	☆	☆	☆	☆			☆	
Vegetable oils	☆		☆	☆	☆	☆		●	☆	☆	☆	○	☆	☆	○			☆	
Vinegar	☆	☆	☆	100	☆	☆	10	☆	☆	☆	☆	25	☆	○	25	○		●	
Water and soap	☆		☆	☆	☆	☆	☆	☆	☆	☆	☆	☆	☆	☆	☆			☆	
Whisky	☆		☆	☆	☆	☆	☆	☆	☆	☆		☆	☆	☆	☆			☆	
Wine	☆		☆	☆	☆	☆	☆	☆	☆	☆	○	☆	☆	☆	☆			☆	
Xilol	☆		☆	☆	○	●	☆		●	☆		●	●	●				☆	

ABBREVIATION

C = concentration

☆ = good resistance

○ = fairly good resistance depending on use conditions

SA = saturated

● = insufficient resistance (not recommended)

blank spaces = no tests performed

All values are only applicable to temperatures below 20°C.

INDEX

Code	Page	Code	Page	Code	Page	Code	Page	Code	Page	Code	Page
13S00255	194	10201	22	11054	48	11187ULS	37	11362	32	11506UL	37
13S00256	194	10203	22	11055	46	11189	36	11362LUL	32	11506ULS	37
13S00258	194	10204	23	11056	46	11190	38	11365	32	11507	36
19S00035-3M	194	10206	22	11057	46	11193	36	11368	32	11507UL	37
19S00077-3M	194	10206L	23	11067	49	11193LUL	37	11368LUL	32	11507ULS	37
10001	16	10207	22	11068	51	11193ULS	37	11371	32	11543	71
10001L	17	10208	22	11069	51	11194	36	11374	32	11545	71
10002	16	10208L	23	11070	50	11194LUL	37	11374LUL	32	11547	71
10003	16	10209	22	11071	50	11194ULS	37	11377	38	11557	71
10004	16	10211	22	11072	51	11195	38	11377M	39	11572	59
10005	16	10212	22	11073	52	11195M	39	11377ST	38	11578	59
10006	16	10213	22	11074	52	11196	38	11380	38	11590	59
10007	16	10213L	23	11075	52	11197	38	11380M	39	11591	59
11008	84	10214	22	11076	47	11197M	39	11380ST	38	11593	68
11008R	84	10218	23	11077	47	11198	38	11383	36	11597	68
11010	84	10219	24	11078	47	11198M	39	11383LUL	37	11602	32
11010R	84	10220	24	11083	55	11199	38	11383ULS	37	11603	32
10009	16	10225	30	11084	55	11202	66	11386	36	11607	33
10009L	17	10255L	23	11085	55	11203	66	11386LUL	37	11608	33
10010	16	10256L	23	11086	55	11204	66	11386ULS	37	11609	33
10011	16	10265L	23	11087	85	11221	54	11387	62	11614	68
10012	16	10266L	23	11087R	85	11222M	39	11387CR	62	11615	68
10013	16	10301	16	11088	85	11224M	39	11388	49	11616	68
10014	16	10302	16	11088R	85	11225	57	11389	40	11617	68
10016	16	10303	16	11093	57	11242	56	11390	40	11622	70
10017	16	10304	16	11094	57	11243	56	11391	56	11623	70
10018	16	10305	16	11095	57	11244	56	11393M	39	11624	70
10019	16	10306	16	11096	85	11245	56	11395M	39	11625	70
10020	16	10307	16	11096R	85	11246	56	11396M	39	11633	72
10021	16	10400	20	11097	85	11247	56	11404	63	11634	72
10032	16	10401	20	11097R	85	11250	82	11404CR	63	11635	72
10033	16	10402	20	11098	85	11251	82	11407	63	11636	72
10034	16	10403	21	11098R	85	11252	82	11407CR	63	11637	72
10035	16	10404	21	11099	85	11253	81	11408	63	11638	72
10036	16	10405	21	11099R	85	11254	81	11408CR	63	11639	72
10036L	17	10406	20	11130	33	11255	81	11409	63	11644	68
10037	16	10407	20	11131	33	11256	81	11409CR	63	11645	68
10040	19	10408	20	11134	33	11257	81	11410	34	11646	68
10041	19	10420	21	11135	33	11258	81	11411	34	11647	68
10042	19	10500	26	11150	32	11259	38	11414	34	11652	70
10043	19	10502	27	11151	32	11261	38	11415	34	11653	70
10044	19	10503	29	11151LUL	32	11320	180	11420M	39	11654	70
10045	19	10504	29	11152	32	11320NGG	180	11421M	39	11655	70
10046	19	10510	27	11153	32	11321	180	11425	71	11663	72
10050	18	10511	30	11154	32	11321NGG	180	11426	71	11664	72
10051	18	10512	28	11154LUL	32	11322	182	11429	71	11665	72
10052	18	10513	28	11155	32	11322NGG	182	11431	71	11666	72
10053	18	10514	28	11156	32	11323	181	11433	71	11667	72
10054	18	10515	28	11156LUL	32	11323NGG	181	11435	71	11668	72
10055	18	10516	30	11157	32	11324	181	11445/298	69	11669	72
10059	18	11002	34	11160	33	11324NGG	181	11445/300	69	11670	68
10060	18	11004	34	11161	33	11325	182	11459	41	11671	68
10061	18	11006	34	11162	33	11325NGG	182	11460	41	11672	68
10062	18	11007	83	11167	35	11326	182	11461	41	11673	68
10072	26	11009	83	11168	35	11326NGG	182	11480	41	11674	68
10085L	17	11025	83	11169	35	11328	182	11481	41	11675	68
10086L	17	11026	83	11170	34	11328NGG	182	11482	41	11676	68
10095L	17	11027	83	11171	34	11329	181	11483	42	11677	68
10096L	17	11028	83	11172	34	11329NGG	181	11484	42	11678	68
10101	20	11033	54	11175	35	11340	183	11485	42	11679	68
10102	20	11034	54	11176	35	11340NGG	183	11486	42	11680	70
10103	20	11035	54	11177	35	11344	81	11487	43	11681	70
10104	21	11036	84	11180	35	11346	81	11488	43	11682	70
10105	21	11037	84	11181	35	11347	81	11489	43	11683	70
10106	21	11040	42	11182	35	11348	81	11490	43	11684	70
10107	20	11041	42	11185	36	11350	81	11491	43	11685	70
10108	20	11042	42	11185LUL	37	11351	81	11492	43	11686	70
10109	20	11043	42	11185ULS	37	11352	82	11493	43	11687	70
10110	21	11045	83	11186	36	11353	82	11494	43	11688	72
10111	21	11046	83	11187	36	11355	82	11495	43	11689	72
10112	21	11053	48	11187LUL	37	11359	32	11506	36	11690	72

Code	Page	Code	Page	Code	Page	Code	Page	Code	Page	Code	Page
11691	72	11780CR	65	12006	275	12084B	277-296	12224	299	12299	281-297
11692	72	11781	65	12006A	308	12085	298	12225	299	12310	302
11693	72	11782	65	12007	275	12086	298	12226	299	12311	302
11694	72	11782CR	65	12007A	308	12087	298	12227	299	12312	302
11695	72	11783	65	12008	275	12088	298	12228	299	12313	302
11696	72	11784	65	12008A	308	12089	298	12229	299	12314	302
11697	72	11784CR	65	12009	275	12090	298	12230	299	12315	302
11698	72	11785	65	12009A	308	12091	298	12231	299	12316	302
11699	72	11786	65	12010	275	12092	298	12232	299	12317	302
11703	58	11786CR	65	12010A	308	12095	294	12233	299	12318	302
11704	58	11787	65	12011	275	12096	294	12234	299	12319	302
11705	58	11788	65	12011A	308	12099N	275	12235	299	12320	302
11707	72	11788CR	65	12012	275	12100N	275	12236	299	12321	302
11709	72	11790	64	12012A	308	12101N	275	12237	299	12322	302
11710	71	11791	64	12013	275	12102N	275	12238	299	12323	302
11711	71	11791CR	64	12013A	308	12104N	294	12239	299	12324	302
11720	68	11795	64	12014	275	12105N	294	12240	299	12325	302
11722	68	11796	64	12014A	308	12106N	294	12241	299	12326	307
11723	68	11796CR	64	12015	275	12107N	294	12242	299	12327	307
11725	68	11830	24	12015A	308	12109N	290	12243	299	12328	307
11728	65	11831	24	12016	275	12110N	290	12260	292	12329	307
11728CR	65	11832	24	12016A	308	12111N	290	12261	292	12331	307
11729	65	11850	73	12017A	308	12112N	290	12262	292	12332	307
11729CR	65	11852	73	12018A	308	12114	304	12263	292	12333	303
11730	65	11880	80	12019A	308	12115	304	12264	292	12334	303
11730CR	65	11890	80	12020A	308	12116	304	12265	292	12346	303
11731	65	11900	80	12021A	308	12117	304	12266	292	12347	303
11731CR	65	11910	80	12022A	308	12119	304	12267	292	12348	303
11732	65	11948	76	12023A	308	12120	304	12268	290	12349	303
11732CR	65	11949	76	12024A	308	12121	304	12269	290	12350	303
11733	65	11950	76	12029A	308	12122	304	12270	290	12351	303
11733CR	65	11951	76	12030A	308	12130	284	12271	290	12352	303
11734	65	11952	76	12033	282	12131	284	12272	290	12353	303
11734CR	65	11953	76	12034	282	12132	284	12273	290	12354	303
11735	65	11954	76	12035	282	12133	284	12274	290	12355	303
11735CR	65	11955	76	12036	282	12134	284	12275	290	12356	303
11736	63	11956	77	12037	282	12135	284	12276	294	12357	303
11736CR	63	11957	77	12038	282	12136	284	12277	294	12358	303
11737	63	11958	77	12039	282	12137	284	12278	277-296-302	12358G	303
11737CR	63	11959	77	12040	282	12138	284	12279	277-296-302	12359	303
11738	63	11960	77	12053N	275	12139	284	12280	281-297	12360	303
11738CR	63	11961	76	12054N	275	12140	284	12281	281-297	12361	303
11739	63	11962	76	12055N	275	12141	284	12282	281-297	12361G	303
11739CR	63	11963	76	12056N	275	12142	284	12283	281-297	12362	303
11740	63-65	11964	78	12057N	294	12143	284	12284	281-297	12363	303
11740CR	63-65	11965	78	12058N	294	12144	284	12284A	282	12364	303
11741	65	11966	78	12059N	294	12145	284	12285	281-297	12364G	303
11741CR	65	11967	78	12060N	294	12146	284	12285A	282	12365	303
11742	63-65	11968	78	12061N	290	12147	284	12286	281-297	12366	303
11742CR	63-65	11969	78	12062N	290	12148	284	12286A	282	12367	303
11743	65	11976	79	12063N	290	12149	284	12287	281-297	12367G	303
11743CR	65	11977	79	12064N	290	12200B	277-296	12287A	282	12368	303
11744	63-65	11978	80	12065N	275	12201B	277-296	12288	281-297	12369	303
11744CR	63-65	11979	80	12066N	275	12202B	277-296	12288A	282	12370	303
11745	65	11980	80	12067N	275	12203B	277-296	12289	281-297	12371	303
11745CR	65	11981	80	12068N	275	12204B	277-296	12289A	282	12372	303
11746	63-65	11982	77	12069N	294	12205B	277-296	12290	281-297	12373	303
11746CR	63-65	11983	77	12070N	294	12206B	277-296	12290A	282	12374	303
11747	65	11984	76	12071N	294	12207B	277-296	12291	281-297	12375	303
11747CR	65	11988	79	12072N	294	12208B	277-296	12291A	282	12376	303
11762	65	11989	79	12073N	290	12209B	277-296	12292	281-297	12377	303
11763	65	12001	275	12074N	290	12210B	277-296	12292A	282	12378	303
11763CR	65	12001A	308	12075N	290	12211B	277-296	12293	281-297	12379	303
11766	65	12002	275	12076N	290	12212B	277-296	12293A	282	12380	303
11767	65	12002A	308	12077B	277-296	12213B	277-296	12294	281-297	12381	303
11767CR	65	12003	275	12078B	277-296	12214B	277-296	12294A	282	12382	300
11775	65	12003A	308	12079B	277-296	12215B	277-296	12295	281-297	12383	300
11776	65	12004	275	12080B	277-296	12220	299	12295A	282	12384	300
11776CR	65	12004A	308	12081B	277-296	12221	299	12296	281-297	12385	300
11779	65	12005	275	12082B	277-296	12222	299	12297	281-297	12386	300
11780	65	12005A	308	12083B	277-296	12223	299	12298	281-297	12387	300

INDEX

Code	Page	Code	Page	Code	Page	Code	Page	Code	Page	Code	Page
12388	300	12453G	281-297	12522	289	12584G	274	12672	294	12780	333
12389	300	12454	281-297	12523	289	12585	274	12673	294	12781L	331
12390	300	12455	281-297	12524	289	12586	274	12674	294	12782L	331
12391	300	12456	281-297	12525	274	12587	274	12675	294	12783	337
12392	300	12457	281-297	12526	274	12588	274	12676	277-296	12784	337
12393	300	12457G	281-297	12527	274	12588G	274	12677	277-296	12785	330
12394	300	12458	281-297	12528	274	12589	274	12678	277-296	12786	305
12395	300	12459	281-297	12529	274	12590	274	12679	277-296	12787	332
12396	300	12460	281-297	12530	274	12591	274	12680	292-302	12788	332
12397	300	12461	281-297	12538	274	12608	276-291-295	12681	292-302	12789	330
12398	300	12461G	281-297	12539	274	12609	276-291-295	12682	292-302	12790N	278-282-286
12399	300	12462	281-297	12540	274	12610	276-291-295	12683	292-302	12791N	278-282-286
12400	301	12463	281-297	12540A	278	12611	276-291-295	12684	292-302	12792N	278-282-286
12401	301	12464	281-297	12541	274	12612	276-291-295	12685	292-302	12800	305
12402	301	12465	289	12541A	278	12613	276-291-295-301	12686	292-302	12801	305
12403	301	12466	289	12542	274	12614	276-291-295-301	12687	292-302	12802	330
12404	301	12467	289	12542A	278	12615	276-291-295-301	12688	292-302	12805	334
12405	301	12468	289	12543	274	12616	276-291-295-301	12689	292-302	12806	334
12406	301	12469	289	12543A	278	12617	276-291-295-301	12690	292-302	12807	334
12407	300	12470	289	12544	274	12618	276-291-295-301	12691	292-302	12808	334
12408	300	12471	289	12544A	278	12619	276-291-295-301	12692	292-302	12809	336
12409	300	12472	289	12545	274	12620	276-291-295-301	12693	292-302	12810	336
12410	300	12473	289	12545A	278	12621	276-291-295-301	12694	292-302	12811	336
12411	300	12474	289	12546	274	12622	276-291-295-301	12695	292-302	12812	336
12412	300	12475	289	12546A	278	12623	276-291-295-301	12711	301	12813	332
12413	300	12476	289	12547	274	12624	276-291-295-301	12721	305	12814	332
12414	300	12477	289	12547A	278	12625	276-291-295-301	12723	335	12817	330
12415	300	12478	289	12548	274	12626	276-291-295-301	12724	305	12866	276-295
12416	300	12479	289	12548A	278	12627	276-291-295-301	12725	335	12867	276-295
12417	300	12480	289	12549	274	12628	276-291-295-301	12727	305	12868	276-295
12418	300	12481	289	12549A	278	12629	276-291-295-301	12728	305	12869	276-295
12419	300	12482	289	12550	274	12630	276-291-295-301	12729	305	12870	276-295
12420	300	12483	289	12550A	278	12631	276-291-295-301	12730	305	12871	276-295
12421	300	12484	289	12551	274	12632	276-291-295-301	12731	305	12872	276-295
12421G	300	12485	289	12551A	278	12633	276-291-295	12732	305	12873	276-295
12422	300	12486	289	12552	274	12634	276-291-295	12733	305	12874	276-295
12423	300	12487	289	12553	274	12635	276-291-295	12734	305	12875	276-295
12424	300	12488	289	12554	274	12636	276-291-295	12735	305	12876	276-295
12425	300	12489	289	12555	274	12637	276-291-295	12736	305	12877	276-295
12425G	300	12490	289	12556	274	12638	276-291-295-301	12737	305	12900	281-297
12426	300	12491	289	12557	274	12639	276-291-295-301	12738	305	12901	281-297
12427	300	12492	289	12558	274	12640	276-291-295-301	12739	305	12901A	282
12428	300	12493	289	12559	274	12641	276-291-295-301	12740	305	12902	281-297
12429	300	12494	289	12560	274	12642	276-291-295-301	12741	305	12902A	282
12429G	300	12495	289	12561	274	12643	276-291-295-301	12742	305	12903	281-297
12430	300	12496	289	12562	274	12644	276-291-295-301	12743	305	12903A	282
12431	300	12497	289	12563	274	12645	276-291-295-301	12744	305	12904	274
12432	300	12498	289	12564	274	12646	276-291-295-301	12745	305	12905	274
12433	300	12499	289	12565	274	12647	276-291-295-301	12746	305	12906	274
12433G	300	12500	289	12566	274	12648	276-291-295-301	12747	305	12906A	278
12434	300	12501	289	12567	274	12649	276-291-295-301	12748	305	12907	274
12435	300	12502	289	12568	274	12650	276-291-295-301	12749	305	12907A	278
12436	300	12503	289	12569	274	12651	276-291-295-301	12750	305	12908	274
12437	281-297	12504	289	12570	274	12652	276-291-295-301	12751	305	12908A	278
12438	281-297	12505	289	12571	274	12653	276-291-295-301	12752	305	12910	300
12439	281-297	12506	289	12572	274	12654	276-291-295-301	12753	305	12911	300
12440	281-297	12507	289	12572G	274	12655	276-291-295-301	12754	305	12912	300
12441	281-297	12508	289	12573	274	12656	276-291-295-301	12755	305	12913	300
12442	281-297	12509	289	12574	274	12657	276-291-295-301	12756	305	12914	303
12443	281-297	12510	289	12575	274	12660	294	12757	305	12915	303
12444	281-297	12511	289	12576	274	12661	294	12758	305	12916	303
12445	281-297	12512	289	12576G	274	12662	294	12759	305	12917	303
12446	281-297	12513	289	12577	274	12663	294	12772	331	12920	293
12447	281-297	12514	289	12578	274	12664	294	12772G	331	12921	293
12448	281-297	12515	289	12579	274	12665	294	12773	331	12922	293
12449	281-297	12516	289	12580	274	12666	294	12774	331	12923	293
12449G	281-297	12517	289	12580G	274	12667	294	12775	331	12924	293
12450	281-297	12518	289	12581	274	12668	294	12776	331	12925	293
12451	281-297	12519	289	12582	274	12669	294	12777	333	12926	293
12452	281-297	12520	289	12583	274	12670	294	12778	333	12927	293
12453	281-297	12521	289	12584	274	12671	294	12779	333	12928	293

Code	Page	Code	Page	Code	Page	Code	Page	Code	Page	Code	Page
12929	293	14146	175	19164	256	19235	260	19307	257	19412	270
12930	293	14147	175	19165	256	19236	260	19308	257	19420	271
12931	293	19015	257	19166	256	19237	260	19309	257	19421	271
12932	293	19016	257	19167	256	19238	260	19310	257	19422	272
12933	293	19017	256	19168	256	19239	260	19311	257	19423	272
12934	293	19018	256	19169	256	19240	260	19312	257	19424	267
12935	293	19101	262	19170	256	19241	260	19313	257	19425	267
12936	293	19102	258	19171	256	19242	260	19314	257	19426	267
12937	293	19103	258	19172	256	19243	260	19315	257	19427	267
12938	293	19104	258	19173	256	19244	260	19316	257	19428	268
12939	293	19105	258	19174	256	19245	260	19317	257	19429	268
12940	293	19106	261	19175	256	19246	260	19318	257	19430	268
12941	293	19106B	261	19176	256	19247	260	19319	257	19431	268
12942	293	19107	261	19177	256	19248	260	19320	257	19433	268
12943	293	19107B	261	19178	256	19249	260	19321	257	19435	268
12944	293	19108	261	19179	256	19250	260	19322	257	19436	268
12945	293	19108B	261	19180	256	19251	260	19323	257	19437	268
12946	293	19109	261	19181	256	19252	260	19324	257	19438	268
12947	293	19109B	261	19182	256	19253	260	19325	257	19439	268
12948	293	19110	262	19183	256	19254	260	19326	257	19440	269
12949	293	19111	262	19184	256	19255	260	19327	257	19441	269
12950	293	19113	263	19185	256	19256	260	19329	257	19442	269
12951	293	19114	263	19186	256	19257	260	19330	257	19445	256
12952	293	19115	264	19187	256	19258	260	19331	257	19446	256
12953	293	19116	264	19188	256	19259	260	19332	257	19447	256
12954	293	19117	264	19189	258	19260	260	19333	257	19448	256
12955	293	19118	264	19190	258	19261	260	19334	257	19449	256
12956	293	19120	256	19191	258	19262	260	19335	257	19450T	256
12957	293	19121	256	19192	258	19263	260	19336	257	19451T	256
12958	293	19122	256	19193	258	19264	260	19337	257	19452T	256
12959	293	19123	256	19194	258	19265	260	19338	257	19453	256
12960	293	19124	256	19195	258	19266	260	19339	257	19454	256
12961	293	19125	256	19196	258	19267	260	19340	257	19455	256
12962	293	19126	256	19197	258	19268	260	19341	257	19456	256
12963	293	19127	256	19198	258	19269	260	19342	257	19457	256
12964	293	19128	256	19199	258	19270	260	19343	257	19458	256
12965	289	19129	256	19200	258	19271	260	19350	265	19459	256
12966	289	19130	256	19201	258	19272	260	19351	265	19460T	256
12967	289	19131	256	19202	258	19274	257	19352	265	19465	256
12968	289	19132	256	19203	258	19275	257	19353	266	19466	256
12969	289	19133	256	19204	258	19276	257	19354	266	19467	256
12970V	307	19134	256	19205	258	19277	257	19355	266	19468	256
12971V	307	19135	256	19206	258	19278	257	19358	266	19469	256
12972V	307	19136	256	19207	258	19279	257	19359	266	19470	256
12973	307	19137	256	19208	258	19280	257	19360	266	19471	256
12980	284	19138	256	19209	258	19281	257	19361	266	19472	256
12981	284	19139	256	19210	258	19282	257	19362	266	19473	256
12982	284	19140	256	19211	258	19283	257	19363	266	19474	256
12983	284	19141	256	19212	258	19284	257	19370	265	19475	256
12984	284	19142	256	19213	258	19285	257	19371	265-268	19476	256
12985	284	19143	256	19214	258	19286	257	19372	265	19477	256
12986	284	19144	256	19215	258	19287	257	19373	265-266-268	19478	256
12987	284	19145	256	19216	258	19288	257	19374	265	19479	256
12988	284	19146	256	19217	260	19289	257	19375	265-266	19480	256
12989	284	19147	256	19218	260	19290	257	19381	271	19481	256
12990	284	19148	256	19219	260	19291	257	19386	270	19482	256
12991	284	19149	256	19220	260	19292	257	19390	263	19483	256
12992	284	19150	256	19221	260	19293	257	19391	263	19484	256
12993	284	19151	256	19222	260	19294	257	19396	262	19485	256
12994	284	19152	256	19223	260	19295	257	19396L	262	19486	256
12995	284	19153	256	19224	260	19296	257	19397	262	19487	256
12996	284	19154	256	19225	260	19297	257	19397L	262	19488	256
12997	284	19155	256	19226	260	19298	257	19400	267	19489	256
12998	284	19156	256	19227	260	19299	257	19401	267	19490	256
12999	284	19157	256	19228	260	19300	257	19402	267	19491	256
14143	112	19158	256	19229	260	19301	257	19403	267	19492	256
14143M	112	19159	256	19230	260	19302	257	19404	267	19493	256
14144	112	19160	256	19231	260	19303	257	19405	267	19494	256
14144M	112	19161	256	19232	260	19304	257	19406	267	19495	256
14145	112	19162	256	19233	260	19305	257	19410	269	19496	256
14145M	112	19163	256	19234	260	19306	257	19411	269	19497	256

INDEX

Code	Page	Code	Page	Code	Page	Code	Page	Code	Page	Code	Page
19896	257	19972	258	25119	122	25310	124	25421	127	25533J	131
19897	257	19973	258	25120	122	25311	124	25421SX	128	25534J	131
19898	257	19974	258	25121	122	25312	124	25422	127	25535J	131
19899	257	19975	258	25122	122	25313	124	25422SX	128	25536J	131
19901	257	19976	258	25123	122	25314	124	25423	127	25537J	131
19902	257	19977	258	25124	122	25315	124	25423SX	128	25538J	131
19903	257	19978	258	25125	122	25316	124	25424	127	25539J	131
19904	257	19979	258	25126	122	25317	124	25424SX	128	25600J	132
19905	257	19980	258	25127	122	25318	124	25425	127	25601J	132
19906	257	19981	258	25128	122	25319	124	25425SX	128	25602J	132
19907	257	19982	258	25129	122	25320	124	25426	127	25603J	132
19908	257	19983	258	25130	122	25321	124	25426SX	128	25604J	132
19909	257	19984	258	25131	122	25322	124	25427	127	25605J	132
19910	257	19985	258	25132	122	25323	124	25427SX	128	25606J	132
19911	257	19986	258	25133	122	25324	124	25428	127	25607J	132
19912	257	19987	258	25134	122	25325	124	25428SX	128	25608J	132
19914	257	19988	258	25135	122	25326	124	25429	127	25609J	132
19915	257	19989	258	25136	122	25327	124	25429SX	128	25610J	132
19916	257	25000	120	25137	122	25328	124	25430	127	25611J	132
19917	257	25000NGG	120	25138	122	25329	124	25430SX	128	25612J	132
19918	257	25001	120	25139	122	25330	124	25431	127	25613J	132
19919	257	25001NGG	120	25200	123	25331	124	25431SX	128	25614J	132
19920	257	25002	121	25201	123	25332	124	25432	127	25615J	132
19921	257	25002NGG	121	25202	123	25333	124	25432SX	128	25616J	132
19922	257	25010J	129	25203	123	25334	124	25433	127	25617J	132
19923	257	25010J-NGG	129	25204	123	25335	124	25433SX	128	25618J	132
19924	257	25011J	129	25205	123	25336	124	25434	127	25619J	132
19925	257	25011J-NGG	129	25206	123	25337	124	25434SX	128	25620J	132
19926	257	25012J	130	25207	123	25338	124	25435	127	25621J	132
19927	257	25012J-NGG	130	25208	123	25339	124	25435SX	128	25622J	132
19928	257	25020	150	25209	123	25400	127-128	25436	127	25623J	132
19929	257	25020NGG	150	25210	123	25401	127	25436SX	128	25624J	132
19930	257	25021	150	25211	123	25401SX	128	25437	127	25625J	132
19931	257	25021NGG	150	25212	123	25402	127	25437SX	128	25626J	132
19932	257	25022	151	25213	123	25402SX	128	25438	127	25627J	132
19933	257	25022NGG	151	25214	123	25403	127	25438SX	128	25628J	132
19934	257	25040H	90	25215	123	25403SX	128	25439	127	25629J	132
19935	257	25040H-NGG	90	25216	123	25404	127	25439SX	128	25630J	132
19936	257	25041H	90	25217	123	25404SX	128	25500J	131	25631J	132
19937	257	25041H-NGG	90	25218	123	25405	127	25501J	131	25632J	132
19938	257	25042H	91	25219	123	25405SX	128	25502J	131	25633J	132
19939	257	25042HNGG	91	25220	123	25406	127	25503J	131	25634J	132
19940	257	25052H	88	25221	123	25406SX	128	25504J	131	25635J	132
19941	257	25052H-VG	89	25222	123	25407	127	25505J	131	25636J	132
19942	257	25052H-NGG	88	25223	123	25407SX	128	25506J	131	25637J	132
19943	257	25053H	88	25224	123	25408	127	25507J	131	25638J	132
19944	257	25053H-NGG	88	25225	123	25408SX	128	25508J	131	25639J	132
19945	257	25054H	88	25226	123	25409	127	25509J	131	25700J	133
19946	257	25054H-VG	89	25227	123	25409SX	128	25510J	131	25701J	133
19950	258	25054H-NGG	88	25228	123	25410	127	25511J	131	25702J	133
19951	258	25055H	88	25229	123	25410SX	128	25512J	131	25703J	133
19952	258	25055H-NGG	88	25230	123	25411	127	25513J	131	25704J	133
19953	258	25100	122	25231	123	25411SX	128	25514J	131	25705J	133
19954	258	25101	122	25232	123	25412	127	25515J	131	25706J	133
19955	258	25102	122	25233	123	25412SX	128	25516J	131	25707J	133
19956	258	25103	122	25234	123	25413	127	25517J	131	25708J	133
19957	258	25104	122	25235	123	25413SX	128	25518J	131	25709J	133
19958	258	25105	122	25236	123	25414	127	25519J	131	25710J	133
19959	258	25106	122	25237	123	25414SX	128	25520J	131	25711J	133
19960	258	25107	122	25238	123	25415	127	25521J	131	25712J	133
19961	258	25108	122	25239	123	25415SX	128	25522J	131	25713J	133
19962	258	25109	122	25300	124	25416	127	25523J	131	25714J	133
19963	258	25110	122	25301	124	25416SX	128	25524J	131	25715J	133
19964	258	25111	122	25302	124	25417	127	25525J	131	25716J	133
19965	258	25112	122	25303	124	25417SX	128	25526J	131	25717J	133
19966	258	25113	122	25304	124	25418	127	25527J	131	25718J	133
19967	258	25114	122	25305	124	25418SX	128	25528J	131	25719J	133
19968	258	25115	122	25306	124	25419	127	25529J	131	25720J	133
19969	258	25116	122	25307	124	25419SX	128	25530J	131	25721J	133
19970	258	25117	122	25308	124	25420	127	25531J	131	25722J	133
19971	258	25118	122	25309	124	25420SX	128	25532J	131	25723J	133

Code	Page	Code	Page	Code	Page	Code	Page	Code	Page	Code	Page
25724J	133	25828J	136	26227	162	26578LFB	148	26679	176	26752	188
25725J	133	25828J-SX	137	26228	162	26579LFB	148	26680	176	26753	188
25726J	133	25829J	136	26229	162	26580LFB	148	26681	176	26754	188
25727J	133	25829J-SX	137	26230	162	26581LFB	148	26682	176	26755	188
25728J	133	25830J	136	26231	162	26582LFB	148	26683	176	26756	188
25729J	133	25830J-SX	137	26232	162	26583LFB	148	26684	176	26757	188
25730J	133	25831J	136	26233	162	26584LFB	148	26685	176	26758	188
25731J	133	25831J-SX	137	26234	162	26585LFB	148	26686	176	26763	189
25732J	133	25832J	136	26235	162	26586LFB	148	26687	176	26764	189
25733J	133	25832J-SX	137	26236	162	26587LFB	148	26688	176	26765	189
25734J	133	25833J	136	26237	162	26588LFB	148	26689	176	26766	189
25735J	133	25833J-SX	137	26238	162	26589LFB	148	26690	176	26767	189
25736J	133	25834J	136	26239	162	26601	186	26691	176	26768	189
25737J	133	25834J-SX	137	26501	97	26602	186	26692	176	26769	189
25738J	133	25835J	136	26502	97	26603	186	26693	176	26770	189
25739J	133	25835J-SX	137	26503	97	26604	186	26694	176	26775	189
25800J	136-137	25836J	136	26504	97	26605	186	26695	176	26776	189
25801J	136	25836J-SX	137	26505	97	26606	186	26696	176	26777	189
25801J-SX	137	25837J	136	26506	97	26607	186	26697	176	26778	189
25802J	136	25837J-SX	137	26507	97	26608	186	26698	176	26779	189
25802J-SX	137	25838J	136	26508	97	26609	187	26699	176	26780	189
25803J	136	25838J-SX	137	26509	97	26610	187	26700	177	26781	189
25803J-SX	137	25839J	136	26510	97	26611	187	26702	177	26782	189
25804J	136	25839J-SX	137	26511	97	26612	187	26703	177	26787	188
25804J-SX	137	26000	160-161	26512	97	26613	187	26704	177	26788	188
25805J	136	26001	160	26513	97	26614	187	26705	177	26789	188
25805J-SX	137	26002	160	26514	97	26615	187	26706	177	26790	188
25806J	136	26003	160-161	26515	97	26616	187	26707	177	26791	188
25806J-SX	137	26004	160	26516	97	26617	187	26708	177	26792	188
25807J	136	26010	160	26517	97	26618	187	26709	177	26793	188
25807J-SX	137	26011	160	26518	97	26619	187	26710	177	26794	188
25808J	136	26012	160	26519	97	26620	187	26711	177	27312	190
25808J-SX	137	26013	160	26520	97	26621	187	26712	177	27313	190
25809J	136	26014	160	26521	97	26622	187	26713	177	27314	190
25809J-SX	137	26050	110-111	26522	97	26623	187	26714	177	27315	190
25810J	136	26051	110	26523	97	26624	187	26715	177	27316	190
25810J-SX	137	26052	110	26524	97	26625	186	26716	177	27317	190
25811J	136	26053	110-111	26525	97	26626	186	26717	177	27318	190
25811J-SX	137	26054	110	26526	97	26627	186	26718	177	27319	190
25812J	136	26055	110	26527	97	26628	186	26719	177	27322	190
25812J-SX	137	26056	110	26528	97	26629	186	26720	177	27323	190
25813J	136	26057	110	26529	97	26630	186	26721	177	27324	190
25813J-SX	137	26058	110	26530	97	26631	186	26722	177	27325	190
25814J	136	26059	110	26550LFB	148	26632	186	26723	177	27326	190
25814J-SX	137	26200	162	26551LFB	148	26652	176	26724	177	27327	190
25815J	136	26201	162	26552LFB	148	26653	176	26725	177	27328	190
25815J-SX	137	26202	162	26553LFB	148	26654	176	26726	177	27329	190
25816J	136	26203	162	26554LFB	148	26655	176	26727	177	27433	191
25816J-SX	137	26204	162	26555LFB	148	26656	176	26728	177	27434	191
25817J	136	26205	162	26556LFB	148	26657	176	26729	177	27435	191
25817J-SX	137	26206	162	26557LFB	148	26658	176	26730	177	27436	191
25818J	136	26207	162	26558LFB	148	26659	176	26731	177	27437	191
25818J-SX	137	26208	162	26559LFB	148	26660	176	26732	177	27438	191
25819J	136	26209	162	26560LFB	148	26661	176	26733	177	27439	191
25819J-SX	137	26210	162	26561LFB	148	26662	176	26734	177	27543	192
25820J	136	26211	162	26562LFB	148	26663	176	26735	177	27544	192
25820J-SX	137	26212	162	26563LFB	148	26664	176	26736	177	27545	192
25821J	136	26213	162	26564LFB	148	26665	176	26737	177	27546	192
25821J-SX	137	26214	162	26565LFB	148	26666	176	26738	177	27547	192
25822J	136	26215	162	26566LFB	148	26667	176	26739	177	27548	192
25822J-SX	137	26216	162	26567LFB	148	26668	176	26740	177	27549	192
25823J	136	26217	162	26568LFB	148	26669	176	26741	177	27563	192
25823J-SX	137	26218	162	26569LFB	148	26670	176	26742	177	27564	192
25824J	136	26219	162	26570LFB	148	26671	176	26743	177	27565	192
25824J-SX	137	26220	162	26571LFB	148	26672	176	26744	177	27566	192
25825J	136	26221	162	26572LFB	148	26673	176	26745	177	27567	192
25825J-SX	137	26222	162	26573LFB	148	26674	176	26746	177	27568	192
25826J	136	26223	162	26574LFB	148	26675	176	26747	177	27569	192
25826J-SX	137	26224	162	26575LFB	148	26676	176	26748	177	27634	193
25827J	136	26225	162	26576LFB	148	26677	176	26749	177	27635	193
25827J-SX	137	26226	162	26577LFB	148	26678	176	26751	188	27636	193

INDEX

Code	Page	Code	Page	Code	Page	Code	Page	Code	Page	Code	Page
27637	193	121069	324	121149	293	121220	289	121289	289	121358	276-291-295
27638	193	121070	324	121150	293	121221	289	121290	289	121359	276-291-295
27639	193	121071	324	121151	293	121222	289	121291	289	121360	276-291-295
121001	301	121072	324	121152	293	121223	289	121292	289	121361	276-291-295
121002	301	121073	324	121153	293	121224	289	121293	289	121362	276-291-295
121003	301	121074	324	121154	293	121225	289	121294	289	121363	276-291-295
121004	301	121075	324	121155	293	121226	289	121295	289	121364	276-291-295
121005	301	121076	324	121156	293	121227	289	121296	289	121365	276-291-295
121006	301	121077	324	121157	293	121228	289	121297	289	121366	276-291-295
121007	301	121078	324	121158	293	121229	289	121298	289	121367	276-291-295
121008	301	121079	324	121159	293	121230	289	121299	289	121368	276-291-295
121009	304	121080N	275	121160	293	121231	289	121300	289	121369	276-291-295
121010	304	121081N	275	121161	293	121232	289	121301	289	121370	276-291-295
121011	304	121082N	275	121162	293	121233	289	121302	289	121371	276-291-295
121012	304	121083N	275	121163	293	121234	289	121303	289	121372	276-291-295
121013	304	121085N	275	121164	293	121235	274	121304	289	121373	276-291-295
121014	304	121086N	275	121165	293	121236	274	121305	289	121374	276-291-295
121015	304	121087N	275	121166	293	121237	274	121306	289	121375	276-291-295
121016	304	121088N	275	121167	293	121238	274	121307	281-297	121376	276-291-295
121017	324	121090N	275	121168	293	121239	274	121308	281-297	121377	287-291
121018	324	121091N	275	121169	293	121240	274	121309	281-297	121378	287-291
121019	324	121092N	275	121170	293	121241	274	121310	281-297	121379	287-291
121020	324	121093N	275	121171	293	121242	274	121311	281-297	121380	287-291
121021	324	121095	294	121172	293	121243	274	121312	281-297	121381	287-291
121022	324	121096	294	121173	293	121244	274	121313	281-297	121382	287-291-304
121023	324	121097	294	121174	293	121245	274	121314	281-297	121383	287-291-304
121024	324	121098	294	121175	293	121246	274	121315	281-297	121384	287-291-304
121025	324	121100	294	121176	293	121247	274	121316	281-297	121385	287-291-304
121026	324	121101	294	121177	293	121248	274	121317	281-297	121386	287-291-304
121027	324	121102	294	121178	293	121249	274	121318	281-297	121387	287-291-304
121028	324	121103	294	121179	293	121250	274	121319	281-297	121388	287-291-304
121029	324	121105	294	121180	293	121251	274	121320	281-297	121389	287-291-304
121030	324	121106	294	121181	293	121252	274	121321	281-297	121390	287-291-304
121031	324	121107	294	121182	293	121253	274	121322	281-297	121391	287-291-304
121032	324	121108	294	121183	293	121254	274	121323	281-297	121392	287-291-304
121033	324	121110N	292	121184	293	121255	274	121324	281-297	121393	287-291-304
121034	324	121111N	292	121185	293	121256	274	121325	281-297	121394	287-291-304
121035	324	121112N	292	121186	293	121257	274	121326	281-297	121395	287-291-304
121036	324	121113N	292	121187	293	121258	274	121327	281-297	121396	287-291-304
121037	324	121115N	292	121188	293	121259	274	121328	281-297	121397	287-291-304
121038	324	121116N	292	121189	293	121260	274	121329	281-297	121398	287-291-304
121039	324	121117N	292	121190	293	121261	274	121330	281-297	121399	287-291-304
121040	324	121118N	292	121191	293	121262	274	121331	281-297	121400	287-291-304
121041	324	121120N	292	121192	293	121263	274	121332	281-297	121401	287-291-304
121042	324	121121N	292	121193	293	121263G	274	121333	281-297	121402	287-291
121043	324	121122N	292	121194	293	121264	274	121334	281-297	121403	287-291
121044	324	121123N	292	121195	293	121265	274	121335	281-297	121404	287-291
121045	324	121125	293	121196	293	121266	274	121336	281-297	121405	287-291
121046	324	121126	293	121197	293	121267	274	121337	281-297	121406	287-291
121047	324	121127	293	121198	293	121267G	274	121338	281-297	121407	287-291
121048	324	121128	293	121199	274	121268	274	121339	281-297	121408	287-291
121049	324	121129	293	121200	274	121269	274	121340	281-297	121409	287-291
121050	324	121130	293	121201	274	121270	274	121341	281-297	121410	287-291
121051	324	121131	293	121202	274	121271	289	121342	281-297	121411	287-291
121052	324	121132	293	121203	274	121272	289	121343	281-297	121412	287-291
121053	324	121133	293	121204	274	121273	289	121344	281-297	121413	287-291
121054	324	121134	293	121205	274	121274	289	121345	281-297	121414	287-291
121055	324	121135	293	121206	274	121275	289	121346	281-297	121415	287-291
121056	324	121136	293	121207	274	121276	289	121347	281-297	121416	287-291
121057	324	121137	293	121208	274	121277	289	121348	281-297	121417	287-291-304
121058	324	121138	293	121209	274	121278	289	121349	281-297	121418	287-291-304
121059	324	121139	293	121210	274	121279	289	121349G	281-297	121419	287-291-304
121060	324	121140	293	121211	274	121280	289	121350	281-297	121420	287-291-304
121061	324	121141	293	121212	274	121281	289	121351	281-297	121421	287-291-304
121062	324	121142	293	121213	274	121282	289	121352	281-297	121422	287-291-304
121063	324	121143	293	121214	274	121283	289	121353	281-297	121423	287-291-304
121064	324	121144	293	121215	274	121284	289	121353G	281-297	121424	287-291-304
121065	324	121145	293	121216	274	121285	289	121354	281-297	121425	287-291-304
121066	324	121146	293	121217	289	121286	289	121355	281-297	121426	287-291-304
121067	324	121147	293	121218	289	121287	289	121356	281-297	121427	287-291-304
121068	324	121148	293	121219	289	121288	289	121357	276-291-295	121428	287-291-304

Code	Page	Code	Page	Code	Page	Code	Page	Code	Page	Code	Page
121429	287-291-304	121500	304	121579	288	121655	305	121724G	288	121809	285
121430	287-291-304	121501	304	121580	288	121656	288	121725	288	121810	285
121431	287-291-304	121502	304	121581	288	121657	288	121726	288	121810A	286
121432	287-291-304	121503	304	121582	288	121658	288	121727	288	121811	285
121433	287-291-304	121504	304	121583	288	121659	288	121728	288	121811A	286
121434	287-291-304	121505	304	121584	288	121660	288	121728G	288	121812	285
121435	287-291-304	121506	304	121585	288	121661	288	121729	288	121812A	286
121436	287-291-304	121507	304	121586	288	121662	288	121730	288	121813	285
121437	287-291	121508	304	121587	288	121663	288	121731	288	121813A	286
121438	287-291	121509	304	121588	288	121664	288	121732	288	121814	285
121439	287-291	121510	304	121589	288	121665	288	121732G	288	121814A	286
121440	287-291	121511	304	121590	288	121666	288	121733	288	121815	285
121441	287-291	121512	304	121591	288	121667	288	121734	288	121815A	286
121442	287-291	121513	304	121592	288	121668	288	121735	288	121816	285
121443	287-291	121514	304	121593	288	121669	288	121736	288	121816A	286
121444	287-291	121515	304	121594	288	121670	288	121736G	288	121817	285
121445	287-291	121516	304	121600	287-292-304	121671	288	121737	288	121817A	286
121446	287-291	121517	304	121601	287-292-304	121672	288	121738	288	121818	285
121447	302	121518	304	121602	287-292-304	121673	288	121739	288	121818A	286
121448	302	121519	304	121603	287-292-304	121674	288	121740	288	121819	285
121449	302	121520	304	121604	287-292-304	121675	288	121740G	288	121819A	286
121450	302	121521	304	121605	287-292-304	121676	288	121741	288	121820	285
121451	302	121522	304	121606	287-292-304	121677	288	121742	288	121820A	286
121452	302	121523	304	121607	287-292-304	121678	288	121743	288	121821	285
121453	302	121524	304	121608	287-292-304	121679	288	121744	288	121821A	286
121454	302	121525	304	121609	287-292-304	121680	288	121744G	288	121822	285
121455	302	121526	304	121610	287-292-304	121681	288	121745	288	121822A	286
121456	302	121527	284	121611	287-292-304	121682	288	121746	288	121823	285
121457	302	121528	284	121612	287-292-304	121683	288	121747	288	121823A	286
121458	302	121529	284	121613	287-292-304	121684	288	121748	288	121824	285
121459	302	121530	284	121614	287-292-304	121685	288	121748G	288	121824A	286
121460	302	121531	284	121615	287-292-304	121686	288	121749	288	121825	285
121461	302	121532	284	121616	284	121687	288	121750	288	121826	285
121462	302	121533	284	121617	284	121688	288	121751	288	121827	285
121463	302	121534	284	121618	284	121689	288	121752	300	121828	285
121464	302	121535	284	121619	284	121690	288	121753	300	121829	285
121465	302	121536	284	121620	284	121691	288	121754	300	121830	285
121466	302	121537	284	121621	284	121692	288	121755	300	121831	285
121467	302	121538	284	121622	284	121693	288	121756	300	121832	285
121468	302	121539	284	121623	284	121694	288	121757	300	121833	285
121469	302	121540	284	121624	284	121695	288	121758	300	121834	285
121470	302	121541	284	121625	284	121696	288	121759	300	121835	285
121471	302	121542	284	121626	284	121697	288	121760	300	121836	285
121472	302	121543	284	121627	284	121698	288	121761	300	121837	285
121473	302	121544	284	121628	284	121699	288	121762	300	121838	285
121474	302	121545	284	121629	284	121700	288	121763	300	121839	285
121475	302	121546	284	121630	284	121701	288	121764	300	121840	285
121476	302	121555	288	121631	284	121702	288	121765	300	121841	285
121477	302	121556	288	121632	299	121703	288	121766	300	121842	285
121478	302	121557	288	121633	299	121704	288	121767	300	121843	285
121479	302	121558	288	121634	299	121705	288	121768	303	121844	285
121480	302	121559	288	121635	299	121706	288	121769	303	121845	285
121481	302	121560	288	121636	299	121707	288	121770	303	121846	285
121482	302	121561	288	121637	299	121708	288	121771	303	121847	285
121483	302	121562	288	121638	299	121709	288	121772	303	121848	285
121484	302	121563	288	121639	299	121710	288	121773	303	121849	285
121485	302	121564	288	121640	299	121711	288	121774	303	121850	285
121486	302	121565	288	121641	299	121712	288	121775	303	121851	285
121487	304	121566	288	121642	299	121713	288	121776	303	121852	285
121488	304	121567	288	121643	299	121714	288	121777	303	121853	285
121489	304	121568	288	121644	299	121715	288	121778	303	121854	285
121490	304	121569	288	121645	299	121716	288	121779	303	121855	285
121491	304	121570	288	121646	299	121717	288	121800	285	121856	285
121492	304	121571	288	121647	299	121718	288	121801	285	121857	285
121493	304	121572	288	121648	305	121719	288	121802	285	121858	285
121494	304	121573	288	121649	305	121720	288	121803	285	121859	285
121495	304	121574	288	121650	305	121720G	288	121804	285	121860	285
121496	304	121575	288	121651	305	121721	288	121805	285	121861	285
121497	304	121576	288	121652	305	121722	288	121806	285	121862	285
121498	304	121577	288	121653	305	121723	288	121807	285	121863	285
121499	304	121578	288	121654	305	121724	288	121808	285	121864	285

INDEX

Code	Page	Code	Page	Code	Page	Code	Page	Code	Page	Code	Page
121865	285	121930B	277-296	122028SK	280	122061	279	123016	319	123087	323
121866	285	121931B	277-296	122029	279	122061SK	280	123017	319	123088	323
121867	285	121932	283	122029SK	280	122062	279	123018	319	123089	323
121868	285	121933	283	122030	279	122062SK	280	123019	319	123090	323
121869	285	121934	283	122030SK	280	122063	279	123020	319	123091	323
121870	285	121935	283	122031	279	122063SK	280	123021	319	123092	323
121871	285	121936	283	122031SK	280	122064	279	123022	319	123093	323
121872	285	121937	283	122032	279	122064G	279	123023	320	123094	323
121873	285	121938	283-298	122032SK	280	122064G-SK	280	123024	320	123095	323
121874	285	121939	283-298	122033	279	122064SK	280	123025	320	123096	323
121875	285	121940	283-298	122033SK	280	122065	279	123026	320	123097	323
121876	285	121941	283-298	122034	279	122065SK	280	123027	320	123098	323
121877	285	121942	283-298	122034SK	280	122066	279	123028	320	123099	325
121878	285	121943	283-298	122035	279	122066SK	280	123029	319	123100	325
121879	285	122000	279	122035SK	280	122067	279	123030	319	123101	325
121880	285	122000SK	280	122036	279	122067SK	280	123031	319	123102	325
121881	285	122001	279	122036SK	280	122068	278	123032	319	123103	325
121882	285	122001SK	280	122037	279	122069	278	123033	319	123104	325
121883	285	122002	279	122037SK	280	122070	278	123034	319	123105	325
121884	285	122002SK	280	122038	279	122071	278	123035	319	123106	325
121885	285	122003	279	122038SK	280	122072	278	123036	319	123107	325
121886	285	122003SK	280	122039	279	122073	278	123037	320	123108	325
121887	285	122004	279	122039SK	280	122074	278	123038	320	123109	325
121888	285	122004SK	280	122040	279	122075	278	123039	320	123110	325
121889	285	122005	279	122040SK	280	122076	278	123040	320	123111	325
121890	285	122005SK	280	122041	279	122077	278	123041	320	123112	325
121891	285	122006	279	122041SK	280	122078	278	123042	320	123113	325
121891G	285	122006SK	280	122042	279	122079	278	123043	319	123114	325
121892	285	122007	279	122042SK	280	122080	278	123044	319	123115	325
121893	285	122007SK	280	122043	279	122081	278	123045	319	123116	325
121894	285	122008	279	122043SK	280	122082	278	123046	319	123117	325
121895	285	122008SK	280	122044	279	122083	278	123047	319	123118	325
121895G	285	122009	279	122044SK	280	122084	278	123048	319	123119	325
121896	285	122009SK	280	122045	279	122085	278	123049	319	123120	325
121897	285	122010	279	122045SK	280	122086	278	123050	319	123121	325
121898	285	122010SK	280	122046	279	122087	278	123051	320	123122	325
121899	285	122011	279	122046SK	280	122088	278	123052	320	123123	325
121899G	285	122011SK	280	122047	279	122089	278	123053	320	123124	325
121900	285	122012	279	122047SK	280	122090	278	123054	320	123125	325
121901	285	122012SK	280	122048	279	122091	278	123055	320	123126	325
121902	285	122013	279	122048SK	280	122092	278	123056	320	123127	325
121903	285	122013SK	280	122049	279	122093	278	123057	323	123128	325
121903G	285	122014	279	122049SK	280	122094	278	123058	323	123129	325
121904	285	122014SK	280	122050	279	122095	278	123059	323	123130	325
121905	285	122015	280	122050SK	280	122096	278	123060	323	123131	325
121906	285	122015SK	279	122051	279	122097	278	123061	323	123132	325
121907	285	122016	279	122051SK	280	122098	278	123062	323	123133	325
121907G	285	122016SK	280	122052	279	122099	278	123063	323	123134	325
121908	285	122017	279	122052G	279	122100	278	123064	323	123135	325
121909	285	122017SK	280	122052G-SK	280	122101	278	123065	323	123136	325
121910	285	122018	280	122052SK	280	122102	278	123066	323	123137	325
121911	285	122018SK	279	122053	279	122103	278	123067	323	123138	325
121911G	285	122019	279	122053SK	280	122104	278	123068	323	123139	325
121912	285	122019SK	280	122054	279	122105	278	123069	323	123140	325
121913	285	122020	279	122054SK	280	122106	278	123070	323	123150	323
121914	285	122020SK	280	122055	279	122107	278	123071	323	123151	323
121915	285	122021	279	122055SK	280	123000V	314	123072	323	123152	323
121915G	285	122021SK	280	122056	279	123001V	314	123073	323	123154	323
121916	285	122022	279	122056G	279	123002V	314	123074	323	123155	323
121917	285	122022SK	280	122056G-SK	280	123003V	314	123075	323	123156	323
121918	285	122023	279	122056SK	280	123004V	314	123076	323	123161	323
121920	286	122023SK	280	122057	279	123005V	314	123077	323	123162	323
121921	286	122024	279	122057SK	280	123006V	314	123078	323	123163	323
121922	286	122024SK	280	122058	279	123007V	314	123079	323	123164	323
121923	286	122025	279	122058SK	280	123008V	314	123080	323	123170	319
121924	286	122025SK	280	122059	279	123009V	314	123081	323	123171	319
121925	286	122026	279	122059SK	280	123010V	314	123082	323	123172	319
121926	286	122026SK	280	122060	279	123011V	314	123083	323	123174	319
121927	286	122027	279	122060G	279	123012V	314	123084	323	123175	319
121928B	277-296	122027SK	280	122060G-SK	280	123013V	314	123085	323	123176	319
121929B	277-296	122028	279	122060SK	280	123015	319	123086	323	123180	320

Code	Page	Code	Page	Code	Page	Code	Page	Code	Page	Code	Page
123181	320	125009RIF	319	125044V	315	125081V	316	125253F	321	125274RIF	322
123182	320	125010F	318	125045RV	315	125082V	316	125253RF	322	125275F	321
123183	320	125010RF	319	125045V	315	125083V	316	125253RIF	322	125275RF	322
123184	320	125010RIF	319	125046GV	315	125084V	316	125254F	321	125275RIF	322
123190V	314	125011F	318	125046RV	315	125085V	316	125254GF	321-322	125276F	321
123191V	314	125011RF	319	125046V	315	125086V	316	125254RF	322	125276RF	322
123192V	314	125011RIF	319	125047RV	315	125087V	316	125254RIF	322	125276RIF	322
123193V	314	125012F	318	125047V	315	125088V	316	125255F	321	125277F	321
123194V	314	125012GF	318-319	125048GV	315	125089V	316	125255RF	322	125277RF	322
123195V	314	125012RF	319	125048RV	315	125090V	316	125255RIF	322	125277RIF	322
123196V	314	125012RIF	318	125048V	315	125091V	316	125256F	321	125278GF	321-322
123197V	314	125013F	318	125049RV	315	125092V	316	125256RF	322	125278F	321
123198V	314	125013RF	319	125049V	315	125093V	316	125256RIF	322	125278RF	322
123199V	314	125013RIF	319	125050RV	315	125094V	316	125257F	321	125279F	321
123200V	314	125014F	318	125050V	315	125095V	316	125257RF	322	125279RF	322
123201V	314	125014RF	319	125051RV	315	125096V	316	125257RIF	322	125280F	321
123202V	314	125014RIF	319	125051V	315	125097V	316	125258F	321	125280RF	322
123203V	314	125015F	318	125052GV	315	125098V	316	125258GF	321-322	125281F	321
123204V	314	125015RF	319	125052RV	315	125099V	316	125258RF	322	125281RF	322
123205V	314	125015RIF	319	125052V	315	125100F	318	125258RIF	322	125300	317
123206	316	125020F	318	125053RV	315	125100GF	318-319	125259F	321	125300S	317
123207	316	125020GF	318-319	125053V	315	125101F	318	125259RF	322	125301	317
123208	320	125020RF	319	125054RV	315	125102F	319	125259RIF	322	125301S	317
123209	327	125020RIF	319	125054V	315	125102GF	318-319	125260F	321	125302	317
123210	327	125021F	318	125055RV	315	125103F	318	125260RF	322	125302S	317
123211	327	125021RF	319	125055V	315	125104F	318	125260RIF	322	125304	317
123212	320	125021RIF	319	125056GV	315	125104GF	318-319	125261F	321	125304S	317
123213	320	125022F	318	125056RV	315	125105F	318	125261RF	322	125305	317
123214	320	125022RF	319	125056V	315	125106F	318	125261RIF	322	125305S	317
123215	328	125022RIF	319	125057RV	315	125106GF	318-319	125262F	321	125306	317
123216	328	125023F	318	125057V	315	125107F	318	125262GF	321-322	125306S	317
123217	328	125023RF	319	125058RV	315	125108F	318	125262RF	322	125307	317
123218	328	125023RIF	319	125058V	315	125108GF	318-319	125262RIF	322	125308	317
123219	328	125028GV	315	125059RV	315	125109F	318	125263F	321	125308S	317
123220	328	125028RV	315	125059V	315	125110V	316	125263RF	322	125309	317
123221	328	125028V	315	125060GV	315	125111V	316	125263RIF	322	125309S	317
123222	328	125029RV	315	125060RV	315	125112V	316	125264F	321	125310	317
123223	328	125029V	315	125060V	315	125150F	318	125264RF	322	125310S	317
123224	328	125030RV	315	125061RV	315	125151F	318	125264RIF	322	125311	317
125000F	318	125030V	315	125061V	315	125152F	318	125265F	321	125312	317
125000GF	318-319	125031RV	315	125062RV	315	125153F	318	125265RF	322	125312S	317
125000RF	319	125031V	315	125062V	315	125154F	318	125265RIF	322	125313	317
125000RIF	319	125032GV	315	125063RV	315	125155F	318	125266F	321	125313S	317
125001F	318	125032RV	315	125063V	315	125156F	318	125266GF	321-322	125314	317
125001RF	319	125032V	315	125064GV	315	125157F	318	125266RF	322	125314S	317
125001RIF	319	125033RV	315	125064RV	315	125158F	318	125266RIF	322	125315	317
125002F	318	125033V	315	125064V	315	125159F	318	125267F	321	125316GR	317
125002RF	319	125034RV	315	125065RV	315	125160F	318	125267RF	322	125316R	317
125002RIF	319	125034V	315	125065V	315	125200F	318	125267RIF	322	125316RS	317
125003F	318	125035RV	315	125066RV	315	125201F	318	125268F	321	125317R	317
125003RF	319	125035V	315	125066V	315	125202F	318	125268RF	322	125317RS	317
125003RIF	319	125036GV	315	125067RV	315	125203F	318	125268RIF	322	125318R	317
125004F	318	125036RV	315	125067V	315	125204F	318	125269F	321	125318RS	317
125004GF	318-319	125036V	315	125068GV	315	125205F	318	125269RF	322	125320GR	317
125004RF	319	125037RV	315	125068RV	315	125206F	318	125269RIF	322	125320R	317
125004RIF	319	125037V	315	125068V	315	125207F	318	125270F	321	125320RS	317
125005F	318	125038RV	315	125069RV	315	125208F	318	125270GF	321-322	125321R	317
125005RF	319	125038V	315	125069V	315	125209F	318	125270RF	322	125321RS	317
125005RIF	319	125039RV	315	125070RV	315	125210F	318	125270RIF	322	125322R	317
125006F	318	125039V	315	125070V	315	125211F	318	125271F	321	125322RS	317
125006RF	319	125040GV	315	125071RV	315	125212F	318	125271RF	322	125323R	317
125006RIF	319	125040RV	315	125071V	315	125250F	321	125271RIF	322	125324GR	317
125007F	318	125040V	315	125072V	316	125250GF	321-322	125272F	321	125324R	317
125007RF	319	125041RV	315	125073V	316	125250RF	322	125272RF	322	125324RS	317
125007RIF	319	125041V	315	125074V	316	125250RIF	322	125272RIF	322	125325R	317
125008F	318	125042RV	315	125075V	316	125251F	321	125273F	321	125325RS	317
125008GF	318-319	125042V	315	125076V	316	125251RF	322	125273RF	322	125326R	317
125008RF	319	125043RV	315	125077V	316	125251RIF	322	125273RIF	322	125326RS	317
125008RIF	319	125043V	315	125078V	316	125252F	321	125274F	321	125327R	317
125009F	318	125044GV	315	125079V	316	125252RF	322	125274GF	321-322	125328GR	317
125009RF	319	125044RV	315	125080V	316	125252RIF	322	125274RF	322	125328R	317

INDEX

Code	Page	Code	Page	Code	Page	Code	Page	Code	Page	Code	Page
125328RS	317	125453F	321	125555V	312	125700V	313	125822F	310	125894F	311
125329R	317	125454F	321	125556V	312	125701V	313	125822GF	310	125895F	311
125329RS	317	125455F	321	125557V	312	125702V	313	125822RIF	310	125896F	311
125330R	317	125456F	321	125558V	312	125703V	313	125823F	310	125897F	311
125330RS	317	125457F	321	125559V	312	125704V	313	125823RIF	310	125898	327
125331R	317	125458F	321	125560V	312	125705V	313	125824F	310	125899	327
125332	317	125459F	321	125561V	312	125706V	313	125824RIF	310	125900	327
125332S	317	125460F	321	125562V	312	125707V	313	125825F	310	125901	327
125333	317	125461F	321	125563V	312	125708V	313	125825RIF	310	125902	327
125333S	317	125462F	321	125564V	312	125709V	313	125850F	310	125903	327
125334S	317	125463F	321	125565V	312	125710V	313	125850GF	310	125904	327
125335	317	125464F	321	125566V	312	125711V	313	125850RF	310	125905	327
125335S	317	125465F	321	125600GV	312-313	125712V	313	125851F	310	125906	327
125336	317	125466F	321	125600RV	313	125713V	313	125851RF	310	125907	327
125336S	317	125467F	321	125600V	312	125714V	313	125852F	310	125908	327
125337	317	125500GV	312-313	125601RV	313	125715V	313	125852RF	310	125909	327
125337S	317	125500RIV	313	125601V	312	125716V	313	125853F	310	125910	327
125338	317	125500V	312	125602RV	313	125717V	313	125853RF	310	125911	327
125338S	317	125501RIV	313	125602V	312	125718V	313	125854F	310	125912	327
125339	317	125501V	312	125603RV	313	125719V	313	125854GF	310	125913	327
125339S	317	125502GV	312-313	125603V	312	125720V	313	125854RF	310	125915P	326
125340	317	125502RIV	313	125604GV	312-313	125721V	313	125855F	310	125916P	326
125340S	317	125502V	312	125604RIV	313	125800F	310	125855RF	310	125918P	326
125341	317	125503RIV	313	125604RV	313	125800GF	310	125856F	310	125919P	326
125341S	317	125503V	312	125604V	312	125800RIF	310	125856RF	310	125920P	326
125342	317	125504RIV	313	125605RIV	313	125801F	310	125857F	310	125921P	326
125342S	317	125504V	312	125605RV	313	125801RIF	310	125857RF	310	125922P	326
125343	317	125505RIV	313	125605V	312	125802F	310	125858F	310	125923P	326
125343S	317	125505V	312	125606RIV	313	125802GF	310	125858GF	310	125924P	326
125350F	321	125506GV	312-313	125606RV	313	125802RIF	310	125858RF	310	125925P	326
125350GF	321-322	125506RIV	313	125606V	312	125803F	310	125859F	310	125926P	326
125351F	321	125506V	312	125607RIV	313	125803RIF	310	125859RF	310	125927P	326
125352F	321	125507RIV	313	125607RV	313	125804F	310	125860F	310	125928P	326
125352GF	321-322	125507V	312	125607V	312	125804RIF	310	125860RF	310	125930P	326
125353F	321	125508RIV	313	125608GV	312-313	125805RIF	310	125861F	310	125931P	326
125354F	321	125508V	312	125608RIV	313	125806F	310	125861RF	310	125932P	326
125354GF	321-322	125509RIV	313	125608RV	313	125806GF	310	125862F	310	125933P	326
125355F	321	125509V	312	125608V	312	125806RIF	310	125862GF	310	125934P	326
125356F	321	125510GV	312-313	125609RIV	313	125807F	310	125862RF	310	125935P	326
125356GF	321-322	125510RIV	313	125609RV	313	125807RIF	310	125863F	310	125936P	326
125357F	321	125510V	312	125609V	312	125808F	310	125863RF	310	125937P	326
125358F	321	125511RIV	313	125610RIV	313	125808RIF	310	125864F	310	125938P	326
125358GF	321-322	125511V	312	125610RV	313	125809F	310	125864RF	310	125939	326
125359F	321	125512RIV	313	125610V	312	125809RIF	310	125865F	310	125940	326
125360F	321	125512V	312	125611RIV	313	125810F	310	125865RF	310	125943	326
125360GF	321-322	125513RIV	313	125611RV	313	125810GF	310	125866F	311	125944	326
125361F	321	125513V	312	125611V	312	125810RIF	310	125867F	311	125947	326
125362F	321	125516GV	312-313	125612GV	312-313	125811F	310	125868F	311	125948	326
125362GF	321-322	125516V	312	125612RIV	313	125811RIF	310	125869F	311	125949	326
125363F	321	125517V	312	125612RV	313	125812F	310	125870F	311	125950	326
125400F	321	125518V	312	125612V	312	125812RIF	310	125871F	311	125951	326
125401F	321	125519V	312	125613RIV	313	125813F	310	125872F	311	125952	326
125402F	321	125520GV	312-313	125613RV	313	125813RIF	310	125873F	311	125953	326
125403F	321	125520V	312	125613V	312	125814F	310	125874F	311	125954	326
125404F	321	125521V	312	125614RIV	313	125814GF	310	125875F	311	125969	326
125405F	321	125522V	312	125614RV	313	125814RIF	310	125876F	311	125970	326
125406F	321	125523V	312	125614V	312	125815F	310	125877F	311	125971	326
125407F	321	125524GV	312-313	125615RIV	313	125815RIF	310	125880F	311	125972	326
125408F	321	125524V	312	125615RV	313	125816F	310	125881F	311	125973	326
125409F	321	125525V	312	125615V	312	125816RIF	310	125882F	311	125974	326
125410F	321	125526V	312	125650V	313	125817F	310	125883F	311	125975	326
125411F	321	125527F	312	125651V	313	125817RIF	310	125884F	311	125976	326
125412F	321	125528GV	312-313	125652V	313	125818F	310	125885F	311	125977	326
125413F	321	125528RIV	313	125653V	313	125818GF	310	125886F	311	125978	326
125414F	321	125528V	312	125654V	313	125818RIF	310	125887F	311	125979	326
125415F	321	125529RIV	313	125655V	313	125819F	310	125888F	311	125980	326
125416F	321	125529V	312	125656V	313	125819RIF	310	125889F	311	126000	274
125417F	321	125551V	312	125657V	313	125820F	310	125890F	311	126001	274
125450F	321	125552V	312	125658V	313	125820RIF	310	125891F	311	126002	274
125451F	321	125553V	312	125659V	313	125821F	310	125892F	311	126003	289
125452F	321	125554V	312	125660V	313	125821RIF	310	125893F	311	126004	289

Code	Page	Code	Page	Code	Page	Code	Page	Code	Page	Code	Page
126005	289	190071	260	190277	194	250115	138	250254	141	250371	142
126006	293	190072	260	190277N	194	250116	138	250255	141	250372	142
126007	293	190073	260	250000	138	250117	138	250256	141	250373	142
126008	293	190074	260	250001	138	250118	138	250257	141	250374	142
190001	259	190075	260	250002	138	250119	138	250258	141	250375	142
190002	259	190076	260	250003	138	250120	138	250259	141	250376	142
190003	259	190077	260	250004	138	250121	138	250260	141	250377	142
190004	259	190078	260	250005	138	250122	138	250261	141	250400	139
190005	259	190079	260	250006	138	250123	138	250262	141	250401	139
190006	259	190080	260	250007	138	250124	138	250263	141	250402	139
190007	259	190081	260	250008	138	250125	138	250264	141	250403	139
190008	259	190082	260	250009	138	250126	138	250265	141	250404	139
190009	259	190083	260	250010	138	250127	138	250266	141	250405	139
190010	259	190085	260	250011	138	250151	141	250267	141	250406	139
190011	259	190086	260	250012	138	250152	141	250268	141	250407	139
190012	259	190087	260	250013	138	250153	141	250269	141	250408	139
190013	259	190089	260	250014	138	250154	141	250270	141	250409	139
190014	259	190090	260	250015	138	250155	141	250271	141	250410	139
190015	259	190091	260	250016	138	250156	141	250272	141	250411	139
190016	259	190092	260	250017	138	250157	141	250273	141	250412	139
190017	259	190093	260	250018	138	250158	141	250274	141	250413	139
190018	259	190094	260	250019	138	250159	141	250275	141	250414	139
190019	259	190095	260	250020	138	250160	141	250276	141	250415	139
190020	259	190097	260	250021	138	250161	141	250277	141	250416	139
190021	259	190098	260	250022	138	250162	141	250300	139	250417	139
190022	259	190099	260	250023	138	250163	141	250301	139	250418	139
190023	259	190101	260	250024	138	250164	141	250302	139	250419	139
190024	259	190102	260	250025	138	250165	141	250303	139	250420	139
190025	259	190103	260	250026	138	250166	141	250304	139	250421	139
190026	259	190104	260	250027	138	250167	141	250305	139	250422	139
190027	259	190105	260	250052	141	250168	141	250306	139	250423	139
190028	259	190106	260	250053	141	250169	141	250307	139	250424	139
190029	259	190107	260	250054	141	250170	141	250308	139	250425	139
190030	259	190108	260	250055	141	250171	141	250309	139	250426	139
190031	259	190109	260	250056	141	250172	141	250310	139	250427	139
190032	259	190110	260	250057	141	250173	141	250311	139	250451	142
190033	259	190111	260	250058	141	250174	141	250312	139	250452	142
190034	259	190112	260	250059	141	250175	141	250313	139	250453	142
190035	259	190113	260	250060	141	250176	141	250314	139	250454	142
190036	259	190114	260	250061	141	250177	141	250315	139	250455	142
190037	259	190115	260	250062	141	250200	138	250316	139	250456	142
190038	259	190116	260	250063	141	250201	138	250317	139	250457	142
190039	259	190117	260	250064	141	250202	138	250318	139	250458	142
190040	259	190118	260	250065	141	250203	138	250319	139	250459	142
190041	259	190119	260	250066	141	250204	138	250320	139	250460	142
190042	259	190120	260	250067	141	250205	138	250321	139	250461	142
190043	259	190121	260	250068	141	250206	138	250322	139	250462	142
190044	259	190122	260	250069	141	250207	138	250323	139	250463	142
190045	259	190123	260	250070	141	250208	138	250324	139	250464	142
190046	259	190124	260	250071	141	250209	138	250325	139	250465	142
190047	259	190125	260	250072	141	250210	138	250326	139	250466	142
190048	259	190126	260	250073	141	250211	138	250327	139	250467	142
190049	259	190127	260	250074	141	250212	138	250352	142	250468	142
190050	259	190128	260	250075	141	250213	138	250353	142	250469	142
190051	259	190129	260	250076	141	250214	138	250354	142	250470	142
190052	259	190130	260	250077	141	250215	138	250355	142	250471	142
190053	259	190131	260	250100	138	250216	138	250356	142	250472	142
190054	259	190132	260	250101	138	250217	138	250357	142	250473	142
190055	259	190133	260	250102	138	250218	138	250358	142	250474	142
190056	259	190134	260	250103	138	250219	138	250359	142	250475	142
190060	260	190135	260	250104	138	250220	138	250360	142	250476	142
190061	260	190136	260	250105	138	250221	138	250361	142	250477	142
190062	260	190137	260	250106	138	250222	138	250362	142	250500	139
190063	260	190138	260	250107	138	250223	138	250363	142	250501	139
190064	260	190139	260	250108	138	250224	138	250364	142	250502	139
190065	260	190140	260	250109	138	250225	138	250365	142	250503	139
190066	260	190141	260	250110	138	250226	138	250366	142	250504	139
190067	260	190142	260	250111	138	250227	138	250367	142	250505	139
190068	260	190143	260	250112	138	250251	141	250368	142	250506	139
190069	260	190276	194	250113	138	250252	141	250369	142	250507	139
190070	260	190276N	194	250114	138	250253	141	250370	142	250508	139

INDEX

Code	Page	Code	Page	Code	Page	Code	Page	Code	Page	Code	Page
250509	139	250626	140	250766	143	251005	152	251136	153	251312SX	158
250510	139	250627	140	250767	143	251006	152	251137	153	251313	157
250511	139	250652	143	250768	143	251007	152	251138	153	251313SX	158
250512	139	250653	143	250769	143	251008	152	251139	153	251314	157
250513	139	250654	143	250770	143	251009	152	251200	155	251314SX	158
250514	139	250655	143	250771	143	251010	152	251201	155	251315	157
250515	139	250656	143	250772	143	251011	152	251202	155	251315SX	158
250516	139	250657	143	250773	143	251012	152	251203	155	251316	157
250517	139	250658	143	250774	143	251013	152	251204	155	251316SX	158
250518	139	250659	143	250775	143	251014	152	251205	155	251317	157
250519	139	250660	143	250776	143	251015	152	251206	155	251317SX	158
250520	139	250661	143	250777	143	251016	152	251207	155	251318	157
250521	139	250662	143	250800	140	251017	152	251208	155	251318SX	158
250522	139	250663	143	250801	140	251018	152	251209	155	251319	157
250523	139	250664	143	250802	140	251019	152	251210	155	251319SX	158
250524	139	250665	143	250803	140	251020	152	251211	155	251320	157
250525	139	250666	143	250804	140	251021	152	251212	155	251320SX	158
250526	139	250667	143	250805	140	251022	152	251213	155	251321	157
250527	139	250668	143	250806	140	251023	152	251214	155	251321SX	158
250552	142	250669	143	250807	140	251024	152	251215	155	251322	157
250553	142	250670	143	250808	140	251025	152	251216	155	251322SX	158
250554	142	250671	143	250809	140	251026	152	251217	155	251323	157
250555	142	250672	143	250810	140	251027	152	251218	155	251323SX	158
250556	142	250673	143	250811	140	251028	152	251219	155	251324	157
250557	142	250674	143	250812	140	251029	152	251220	155	251324SX	158
250558	142	250675	143	250813	140	251030	152	251221	155	251325	157
250559	142	250676	143	250814	140	251031	152	251222	155	251325SX	158
250560	142	250677	143	250815	140	251032	152	251223	155	251326	157
250561	142	250700	140	250816	140	251033	152	251224	155	251326SX	158
250562	142	250701	140	250817	140	251034	152	251225	155	251327	157
250563	142	250702	140	250818	140	251035	152	251226	155	251327SX	158
250564	142	250703	140	250819	140	251036	152	251227	155	251328	157
250565	142	250704	140	250820	140	251037	152	251228	155	251328SX	158
250566	142	250705	140	250821	140	251038	152	251229	155	251329	157
250567	142	250706	140	250822	140	251039	152	251230	155	251329SX	158
250568	142	250707	140	250823	140	251100	153	251231	155	251330	157
250569	142	250708	140	250824	140	251101	153	251232	155	251330SX	158
250570	142	250709	140	250825	140	251102	153	251233	155	251331	157
250571	142	250710	140	250826	140	251103	153	251234	155	251331SX	158
250572	142	250711	140	250827	140	251104	153	251235	155	251332	157
250573	142	250712	140	250852	143	251105	153	251236	155	251332SX	158
250574	142	250713	140	250853	143	251106	153	251237	155	251333	157
250575	142	250714	140	250854	143	251107	153	251238	155	251333SX	158
250576	142	250715	140	250855	143	251108	153	251239	155	251334	157
250577	142	250716	140	250856	143	251109	153	251300	157-158	251334SX	158
250600	140	250717	140	250857	143	251110	153	251300L	159	251335	157
250601	140	250718	140	250858	143	251111	153	251301	157	251335SX	158
250602	140	250719	140	250859	143	251112	153	251301L	159	251336	157
250603	140	250720	140	250860	143	251113	153	251301SX	158	251336SX	158
250604	140	250721	140	250861	143	251114	153	251301SXL	159	251337	157
250605	140	250722	140	250862	143	251115	153	251302	157	251337SX	158
250606	140	250723	140	250863	143	251116	153	251302SX	158	251338	157
250607	140	250724	140	250864	143	251117	153	251303	157	251338SX	158
250608	140	250725	140	250865	143	251118	153	251303SX	158	251339	157
250609	140	250726	140	250866	143	251119	153	251304	157	251339SX	158
250610	140	250727	140	250867	143	251120	153	251304SX	158	251400H	92
250611	140	250751	143	250868	143	251121	153	251305	157	251401H	92
250612	140	250752	143	250869	143	251122	153	251305SX	158	251402H	92
250613	140	250753	143	250870	143	251123	153	251306	157	251403H	92
250614	140	250754	143	250871	143	251124	153	251306SX	158	251404H	92
250615	140	250755	143	250872	143	251125	153	251307	157	251405H	92
250616	140	250756	143	250873	143	251126	153	251307SX	158	251406H	92
250617	140	250757	143	250874	143	251127	153	251308	157	251407H	92
250618	140	250758	143	250875	143	251128	153	251308SX	158	251408H	92
250619	140	250759	143	250876	143	251129	153	251309	157	251409H	92
250620	140	250760	143	250877	143	251130	153	251309SX	158	251410H	92
250621	140	250761	143	251000	152	251131	153	251310	157	251411H	92
250622	140	250762	143	251001	152	251132	153	251310SX	158	251412H	92
250623	140	250763	143	251002	152	251133	153	251311	157	251413H	92
250624	140	250764	143	251003	152	251134	153	251311SX	158	251414H	92
250625	140	250765	143	251004	152	251135	153	251312	157	251415H	92

Code	Page	Code	Page	Code	Page	Code	Page	Code	Page	Code	Page
251416H	92	251507H	93	251588	93	251679	95	251730H-SX	99	251912	171
251417H	92	251508H	93	251589	93	251680	95	251731H	98	251913	171
251418H	92	251509H	93	251600H	95	251681	95	251731H-SX	99	251914	171
251419H	92	251510H	93	251601H	95	251682	95	251732H	98	251915	171
251420H	92	251511H	93	251602H	95	251683	95	251732H-SX	99	251916	171
251421H	92	251512H	93	251603H	95	251684	95	251733H	98	251917	171
251422H	92	251513H	93	251604H	95	251685	95	251733H-SX	99	251918	171
251423H	92	251514H	93	251605H	95	251686	95	251734H	98	251919	171
251424H	92	251515H	93	251606H	95	251687	95	251734H-SX	99	251920	171
251425H	92	251516H	93	251607H	95	251688	95	251735H	98	251921	171
251426H	92	251517H	93	251608H	95	251689	95	251735H-SX	99	251922	171
251427H	92	251518H	93	251609H	95	251700H	98-99	251736H	98	251923	171
251428H	92	251519H	93	251610H	95	251701H	98	251736H-SX	99	251924	171
251429H	92	251520H	93	251611H	95	251701H-SX	99	251737H	98	251925	171
251430H	92	251521H	93	251612H	95	251702H	98	251737H-SX	99	251926	171
251431H	92	251522H	93	251613H	95	251702H-SX	99	251738H	98	251927	171
251432H	92	251523H	93	251614H	95	251703H	98	251738H-SX	99	251928	171
251433H	92	251524H	93	251615H	95	251703H-SX	99	251739H	98	251929	171
251434H	92	251525H	93	251616H	95	251704H	98	251739H-SX	99	251930	171
251435H	92	251526H	93	251617H	95	251704H-SX	99	251800	169	251931	171
251436H	92	251527H	93	251618H	95	251705H	98	251801	169	251932	171
251437H	92	251528H	93	251619H	95	251705H-SX	99	251802	169	251933	171
251438H	92	251529H	93	251620H	95	251706H	98	251803	169	251934	171
251439H	92	251530H	93	251621H	95	251706H-SX	99	251804	169	251935	171
251450	92	251531H	93	251622H	95	251707H	98	251805	169	251936	171
251451	92	251532H	93	251623H	95	251707H-SX	99	251806	169	251937	171
251452	92	251533H	93	251624H	95	251708H	98	251807	169	251938	171
251453	92	251534H	93	251625H	95	251708H-SX	99	251808	169	251939	171
251454	92	251535H	93	251626H	95	251709H	98	251809	169	252000	163
251455	92	251536H	93	251627H	95	251709H-SX	99	251810	169	252001	163
251456	92	251537H	93	251628H	95	251710H	98	251811	169	252002	163
251457	92	251538H	93	251629H	95	251710H-SX	99	251812	169	252003	163
251458	92	251539H	93	251630H	95	251711H	98	251813	169	252004	163
251459	92	251550	93	251631H	95	251711H-SX	99	251814	169	252005	163
251460	92	251551	93	251632H	95	251712H	98	251815	169	252006	163
251461	92	251552	93	251633H	95	251712H-SX	99	251816	169	252007	163
251462	92	251553	93	251634H	95	251713H	98	251817	169	252008	163
251463	92	251554	93	251635H	95	251713H-SX	99	251818	169	252009	163
251464	92	251555	93	251636H	95	251714H	98	251819	169	252010	163
251465	92	251556	93	251637H	95	251714H-SX	99	251820	169	252011	163
251466	92	251557	93	251638H	95	251715H	98	251821	169	252012	163
251467	92	251558	93	251639H	95	251715H-SX	99	251822	169	252013	163
251468	92	251559	93	251650	95	251716H	98	251823	169	252014	163
251469	92	251560	93	251651	95	251716H-SX	99	251824	169	252015	163
251470	92	251561	93	251652	95	251717H	98	251825	169	252016	163
251471	92	251562	93	251653	95	251717H-SX	99	251826	169	252017	163
251472	92	251563	93	251654	95	251718H	98	251827	169	252018	163
251473	92	251564	93	251655	95	251718H-SX	99	251828	169	252019	163
251474	92	251565	93	251656	95	251719H	98	251829	169	252020	163
251475	92	251566	93	251657	95	251719H-SX	99	251830	169	252021	163
251476	92	251567	93	251658	95	251720H	98	251831	169	252022	163
251477	92	251568	93	251659	95	251720H-SX	99	251832	169	252023	163
251478	92	251569	93	251660	95	251721H	98	251833	169	252024	163
251479	92	251570	93	251661	95	251721H-SX	99	251834	169	252025	163
251480	92	251571	93	251662	95	251722H	98	251835	169	252026	163
251481	92	251572	93	251663	95	251722H-SX	99	251836	169	252027	163
251482	92	251573	93	251664	95	251723H	98	251837	169	252100	163
251483	92	251574	93	251665	95	251723H-SX	99	251838	169	252101	163
251484	92	251575	93	251666	95	251724H	98	251839	169	252102	163
251485	92	251576	93	251667	95	251724H-SX	99	251900	171	252103	163
251486	92	251577	93	251668	95	251725H	98	251901	171	252104	163
251487	92	251578	93	251669	95	251725H-SX	99	251902	171	252105	163
251488	92	251579	93	251670	95	251726H	98	251903	171	252106	163
251489	92	251580	93	251671	95	251726H-SX	99	251904	171	252107	163
251500H	93	251581	93	251672	95	251727H	98	251905	171	252108	163
251501H	93	251582	93	251673	95	251727H-SX	99	251906	171	252109	163
251502H	93	251583	93	251674	95	251728H	98	251907	171	252110	163
251503H	93	251584	93	251675	95	251728H-SX	99	251908	171	252111	163
251504H	93	251585	93	251676	95	251729H	98	251909	171	252112	163
251505H	93	251586	93	251677	95	251729H-SX	99	251910	171	252113	163
251506H	93	251587	93	251678	95	251730H	98	251911	171	252114	163

INDEX

Code	Page	Code	Page	Code	Page	Code	Page	Code	Page	Code	Page
252115	163	252402	165	252619	166	252910	168	253201	154	253333	156
252116	163	252403	165	252620	166	252911	168	253202	154	253334	156
252117	163	252404	165	252621	166	252912	168	253203	154	253335	156
252118	163	252405	165	252622	166	252913	168	253204	154	253336	156
252119	163	252406	165	252623	166	252914	168	253205	154	253337	156
252120	163	252407	165	252624	166	252915	168	253206	154	253338	156
252121	163	252408	165	252625	166	252916	168	253207	154	253339	156
252122	163	252409	165	252626	166	252917	168	253208	154	253400	164
252123	163	252410	165	252627	166	252918	168	253209	154	253401	164
252124	163	252411	165	252701	166	252919	168	253210	154	253402	164
252125	163	252412	165	252702	166	252920	168	253211	154	253403	164
252126	163	252413	165	252703	166	252921	168	253212	154	253404	164
252127	163	252414	165	252704	166	252922	168	253213	154	253405	164
252200	163	252415	165	252705	166	252923	168	253214	154	253406	164
252201	163	252416	165	252706	166	252924	168	253215	154	253407	164
252202	163	252417	165	252707	166	252925	168	253216	154	253408	164
252203	163	252418	165	252708	166	252926	168	253217	154	253409	164
252204	163	252419	165	252709	166	252927	168	253218	154	253410	164
252205	163	252420	165	252710	166	253001	168	253219	154	253411	164
252206	163	252421	165	252711	166	253002	168	253220	154	253412	164
252207	163	252422	165	252712	166	253003	168	253221	154	253413	164
252208	163	252423	165	252713	166	253004	168	253222	154	253414	164
252209	163	252424	165	252714	166	253005	168	253223	154	253415	164
252210	163	252425	165	252715	166	253006	168	253224	154	253416	164
252211	163	252426	165	252716	166	253007	168	253225	154	253417	164
252212	163	252427	165	252717	166	253008	168	253226	154	253418	164
252213	163	252500	165	252718	166	253009	168	253227	154	253419	164
252214	163	252501	165	252719	166	253010	168	253228	154	253420	164
252215	163	252502	165	252720	166	253011	168	253229	154	253421	164
252216	163	252503	165	252721	166	253012	168	253230	154	253422	164
252217	163	252504	165	252722	166	253013	168	253231	154	253423	164
252218	163	252505	165	252723	166	253014	168	253232	154	253424	164
252219	163	252506	165	252724	166	253015	168	253233	154	253425	164
252220	163	252507	165	252725	166	253016	168	253234	154	253426	164
252221	163	252508	165	252726	166	253017	168	253235	154	253427	164
252222	163	252509	165	252727	166	253018	168	253236	154	253500	164
252223	163	252510	165	252801	166	253019	168	253237	154	253501	164
252224	163	252511	165	252802	166	253020	168	253238	154	253502	164
252225	163	252512	165	252803	166	253021	168	253239	154	253503	164
252226	163	252513	165	252804	166	253022	168	253301	156	253504	164
252227	163	252514	165	252805	166	253023	168	253302	156	253505	164
252300	165	252515	165	252806	166	253024	168	253303	156	253506	164
252301	165	252516	165	252807	166	253025	168	253304	156	253507	164
252302	165	252517	165	252808	166	253026	168	253305	156	253508	164
252303	165	252518	165	252809	166	253027	168	253306	156	253509	164
252304	165	252519	165	252810	166	253102	168	253307	156	253510	164
252305	165	252520	165	252811	166	253103	168	253308	156	253511	164
252306	165	252521	165	252812	166	253104	168	253309	156	253512	164
252307	165	252522	165	252813	166	253105	168	253310	156	253513	164
252308	165	252523	165	252814	166	253106	168	253311	156	253514	164
252309	165	252524	165	252815	166	253107	168	253312	156	253515	164
252310	165	252525	165	252816	166	253108	168	253313	156	253516	164
252311	165	252526	165	252817	166	253109	168	253314	156	253517	164
252312	165	252527	165	252818	166	253110	168	253315	156	253518	164
252313	165	252602	166	252819	166	253111	168	253316	156	253519	164
252314	165	252603	166	252820	166	253112	168	253317	156	253520	164
252315	165	252604	166	252821	166	253113	168	253318	156	253521	164
252316	165	252605	166	252822	166	253114	168	253319	156	253522	164
252317	165	252606	166	252823	166	253115	168	253320	156	253523	164
252318	165	252607	166	252824	166	253116	168	253321	156	253524	164
252319	165	252608	166	252825	166	253117	168	253322	156	253525	164
252320	165	252609	166	252826	166	253118	168	253323	156	253526	164
252321	165	252610	166	252827	166	253119	168	253324	156	253527	164
252322	165	252611	166	252902	168	253120	168	253325	156	253600	164
252323	165	252612	166	252903	168	253121	168	253326	156	253601	164
252324	165	252613	166	252904	168	253122	168	253327	156	253602	164
252325	165	252614	166	252905	168	253123	168	253328	156	253603	164
252326	165	252615	166	252906	168	253124	168	253329	156	253604	164
252327	165	252616	166	252907	168	253125	168	253330	156	253605	164
252400	165	252617	166	252908	168	253126	168	253331	156	253606	164
252401	165	252618	166	252909	168	253127	168	253332	156	253607	164

Code	Page	Code	Page	Code	Page	Code	Page	Code	Page	Code	Page
253608	164	253826	167	254104	125	254236	126	254429J	135	254572	94
253609	164	253827	167	254105	125	254237	126	254430J	135	254573	94
253610	164	253902	167	254106	125	254238	126	254431J	135	254574	94
253611	164	253903	167	254107	125	254239	126	254432J	135	254575	94
253612	164	253904	167	254108	125	254301J	134	254433J	135	254576	94
253613	164	253905	167	254109	125	254302J	134	254434J	135	254577	94
253614	164	253906	167	254110	125	254303J	134	254435J	135	254578	94
253615	164	253907	167	254111	125	254304J	134	254436J	135	254579	94
253616	164	253908	167	254112	125	254305J	134	254437J	135	254580	94
253617	164	253909	167	254113	125	254306J	134	254438J	135	254581	94
253618	164	253910	167	254114	125	254307J	134	254439J	135	254582	94
253619	164	253911	167	254115	125	254308J	134	254501H	94	254583	94
253620	164	253912	167	254116	125	254309J	134	254502H	94	254584	94
253621	164	253913	167	254117	125	254310J	134	254503H	94	254585	94
253622	164	253914	167	254118	125	254311J	134	254504H	94	254586	94
253623	164	253915	167	254119	125	254312J	134	254505H	94	254587	94
253624	164	253916	167	254120	125	254313J	134	254506H	94	254588	94
253625	164	253917	167	254121	125	254314J	134	254507H	94	254589	94
253626	164	253918	167	254122	125	254315J	134	254508H	94	254601H	96
253627	164	253919	167	254123	125	254316J	134	254509H	94	254602H	96
253702	167	253920	167	254124	125	254317J	134	254510H	94	254603H	96
253703	167	253921	167	254125	125	254318J	134	254511H	94	254604H	96
253704	167	253922	167	254126	125	254319J	134	254512H	94	254605H	96
253705	167	253923	167	254127	125	254320J	134	254513H	94	254606H	96
253706	167	253924	167	254128	125	254321J	134	254514H	94	254607H	96
253707	167	253925	167	254129	125	254322J	134	254515H	94	254608H	96
253708	167	253926	167	254130	125	254323J	134	254516H	94	254609H	96
253709	167	253927	167	254131	125	254324J	134	254517H	94	254610H	96
253710	167	254000	170	254132	125	254325J	134	254518H	94	254611H	96
253711	167	254001	170	254133	125	254326J	134	254519H	94	254612H	96
253712	167	254002	170	254134	125	254327J	134	254520H	94	254613H	96
253713	167	254003	170	254135	125	254328J	134	254521H	94	254614H	96
253714	167	254004	170	254136	125	254329J	134	254522H	94	254615H	96
253715	167	254005	170	254137	125	254330J	134	254523H	94	254616H	96
253716	167	254006	170	254138	125	254331J	134	254524H	94	254617H	96
253717	167	254007	170	254139	125	254332J	134	254525H	94	254618H	96
253718	167	254008	170	254201	126	254333J	134	254526H	94	254619H	96
253719	167	254009	170	254202	126	254334J	134	254527H	94	254620H	96
253720	167	254010	170	254203	126	254335J	134	254528H	94	254621H	96
253721	167	254011	170	254204	126	254336J	134	254529H	94	254622H	96
253722	167	254012	170	254205	126	254337J	134	254530H	94	254623H	96
253723	167	254013	170	254206	126	254338J	134	254531H	94	254624H	96
253724	167	254014	170	254207	126	254339J	134	254532H	94	254625H	96
253725	167	254015	170	254208	126	254401J	135	254533H	94	254626H	96
253726	167	254016	170	254209	126	254402J	135	254534H	94	254627H	96
253727	167	254017	170	254210	126	254403J	135	254535H	94	254628H	96
253801	167	254018	170	254211	126	254404J	135	254536H	94	254629H	96
253802	167	254019	170	254212	126	254405J	135	254537H	94	254630H	96
253803	167	254020	170	254213	126	254406J	135	254538H	94	254631H	96
253804	167	254021	170	254214	126	254407J	135	254539H	94	254632H	96
253805	167	254022	170	254215	126	254408J	135	254551	94	254633H	96
253806	167	254023	170	254216	126	254409J	135	254552	94	254634H	96
253807	167	254024	170	254217	126	254410J	135	254553	94	254635H	96
253808	167	254025	170	254218	126	254411J	135	254554	94	254636H	96
253809	167	254026	170	254219	126	254412J	135	254555	94	254637H	96
253810	167	254027	170	254220	126	254413J	135	254556	94	254638H	96
253811	167	254028	170	254221	126	254414J	135	254557	94	254639H	96
253812	167	254029	170	254222	126	254415J	135	254558	94	254651	96
253813	167	254030	170	254223	126	254416J	135	254559	94	254652	96
253814	167	254031	170	254224	126	254417J	135	254560	94	254653	96
253815	167	254032	170	254225	126	254418J	135	254561	94	254654	96
253816	167	254033	170	254226	126	254419J	135	254562	94	254655	96
253817	167	254034	170	254227	126	254420J	135	254563	94	254656	96
253818	167	254035	170	254228	126	254421J	135	254564	94	254657	96
253819	167	254036	170	254229	126	254422J	135	254565	94	254658	96
253820	167	254037	170	254230	126	254423J	135	254566	94	254659	96
253821	167	254038	170	254231	126	254424J	135	254567	94	254660	96
253822	167	254039	170	254232	126	254425J	135	254568	94	254661	96
253823	167	254101	125	254233	126	254426J	135	254569	94	254662	96
253824	167	254102	125	254234	126	254427J	135	254570	94	254663	96
253825	167	254103	125	254235	126	254428J	135	254571	94	254664	96

INDEX

Code	Page	Code	Page	Code	Page	Code	Page	Code	Page	Code	Page
254665	96	254818	100	255105	101	255320	102	255609	103	255826	103
254666	96	254819	100	255106	101	255321	102	255610	103	255827	103
254667	96	254820	100	255107	101	255322	102	255611	103	255902	104
254668	96	254821	100	255108	101	255323	102	255612	103	255903	104
254669	96	254822	100	255109	101	255324	102	255613	103	255904	104
254670	96	254823	100	255110	101	255325	102	255614	103	255905	104
254671	96	254824	100	255111	101	255326	102	255615	103	255906	104
254672	96	254825	100	255112	101	255327	102	255616	103	255907	104
254673	96	254826	100	255113	101	255400	102	255617	103	255908	104
254674	96	254827	100	255114	101	255401	102	255618	103	255909	104
254675	96	254900	100	255115	101	255402	102	255619	103	255910	104
254676	96	254901	100	255116	101	255403	102	255620	103	255911	104
254677	96	254902	100	255117	101	255404	102	255621	103	255912	104
254678	96	254903	100	255118	101	255405	102	255622	103	255913	104
254679	96	254904	100	255119	101	255406	102	255623	103	255914	104
254680	96	254905	100	255120	101	255407	102	255624	103	255915	104
254681	96	254906	100	255121	101	255408	102	255625	103	255916	104
254682	96	254907	100	255122	101	255409	102	255626	103	255917	104
254683	96	254908	100	255123	101	255410	102	255627	103	255918	104
254684	96	254909	100	255124	101	255411	102	255701	103	255919	104
254685	96	254910	100	255125	101	255412	102	255702	103	255920	104
254686	96	254911	100	255126	101	255413	102	255703	103	255921	104
254687	96	254912	100	255127	101	255414	102	255704	103	255922	104
254688	96	254913	100	255200	101	255415	102	255705	103	255923	104
254689	96	254914	100	255201	101	255416	102	255706	103	255924	104
254700	100	254915	100	255202	101	255417	102	255707	103	255925	104
254701	100	254916	100	255203	101	255418	102	255708	103	255926	104
254702	100	254917	100	255204	101	255419	102	255709	103	255927	104
254703	100	254918	100	255205	101	255420	102	255710	103	256001	104
254704	100	254919	100	255206	101	255421	102	255711	103	256002	104
254705	100	254920	100	255207	101	255422	102	255712	103	256003	104
254706	100	254921	100	255208	101	255423	102	255713	103	256004	104
254707	100	254922	100	255209	101	255424	102	255714	103	256005	104
254708	100	254923	100	255210	101	255425	102	255715	103	256006	104
254709	100	254924	100	255211	101	255426	102	255716	103	256007	104
254710	100	254925	100	255212	101	255427	102	255717	103	256008	104
254711	100	254926	100	255213	101	255500	102	255718	103	256009	104
254712	100	254927	100	255214	101	255501	102	255719	103	256010	104
254713	100	255000	101	255215	101	255502	102	255720	103	256011	104
254714	100	255001	101	255216	101	255503	102	255721	103	256012	104
254715	100	255002	101	255217	101	255504	102	255722	103	256013	104
254716	100	255003	101	255218	101	255505	102	255723	103	256014	104
254717	100	255004	101	255219	101	255506	102	255724	103	256015	104
254718	100	255005	101	255220	101	255507	102	255725	103	256016	104
254719	100	255006	101	255221	101	255508	102	255726	103	256017	104
254720	100	255007	101	255222	101	255509	102	255727	103	256018	104
254721	100	255008	101	255223	101	255510	102	255801	103	256019	104
254722	100	255009	101	255224	101	255511	102	255802	103	256020	104
254723	100	255010	101	255225	101	255512	102	255803	103	256021	104
254724	100	255011	101	255226	101	255513	102	255804	103	256022	104
254725	100	255012	101	255227	101	255514	102	255805	103	256023	104
254726	100	255013	101	255300	102	255515	102	255806	103	256024	104
254727	100	255014	101	255301	102	255516	102	255807	103	256025	104
254800	100	255015	101	255302	102	255517	102	255808	103	256026	104
254801	100	255016	101	255303	102	255518	102	255809	103	256027	104
254802	100	255017	101	255304	102	255519	102	255810	103	256102	104
254803	100	255018	101	255305	102	255520	102	255811	103	256103	104
254804	100	255019	101	255306	102	255521	102	255812	103	256104	104
254805	100	255020	101	255307	102	255522	102	255813	103	256105	104
254806	100	255021	101	255308	102	255523	102	255814	103	256106	104
254807	100	255022	101	255309	102	255524	102	255815	103	256107	104
254808	100	255023	101	255310	102	255525	102	255816	103	256108	104
254809	100	255024	101	255311	102	255526	102	255817	103	256109	104
254810	100	255025	101	255312	102	255527	102	255818	103	256110	104
254811	100	255026	101	255313	102	255602	103	255819	103	256111	104
254812	100	255027	101	255314	102	255603	103	255820	103	256112	104
254813	100	255100	101	255315	102	255604	103	255821	103	256113	104
254814	100	255101	101	255316	102	255605	103	255822	103	256114	104
254815	100	255102	101	255317	102	255606	103	255823	103	256115	104
254816	100	255103	101	255318	102	255607	103	255824	103	256116	104
254817	100	255104	101	255319	102	255608	103	255825	103	256117	104

Code	Page	Code	Page	Code	Page	Code	Page	Code	Page	Code	Page
256118	104	256410	105	256613	107	256804	109	257019	109	261126	111
256119	104	256411	105	256614	107	256805	109	257020	109	261127	111
256120	104	256412	105	256615	107	256806	109	257021	109	261128	111
256121	104	256413	105	256616	107	256807	109	257022	109	261129	111
256122	104	256414	105	256617	107	256808	109	257023	109	261130	111
256123	104	256415	105	256618	107	256809	109	257024	109	261131	111
256124	104	256416	105	256619	107	256810	109	257025	109	261132	111
256125	104	256417	105	256620	107	256811	109	257026	109	261133	111
256126	104	256418	105	256621	107	256812	109	257027	109	261134	111
256127	104	256419	105	256622	107	256813	109	261002	161	261135	111
256202	105	256420	105	256623	107	256814	109	261003	161	261136	111
256203	105	256421	105	256624	107	256815	109	261004	161	261137	111
256204	105	256422	105	256625	107	256816	109	261005	161	261138	111
256205	105	256423	105	256626	107	256817	109	261006	161	261139	111
256206	105	256424	105	256627	107	256818	109	261007	161	261252	174
256207	105	256425	105	256628	107	256819	109	261008	161	261253	174
256208	105	256426	105	256629	107	256820	109	261009	161	261254	174
256209	105	256427	105	256630	107	256821	109	261010	161	261255	174
256210	105	256500	106	256631	107	256822	109	261011	161	261256	174
256211	105	256501	106	256632	107	256823	109	261012	161	261257	174
256212	105	256502	106	256633	107	256824	109	261013	161	261258	174
256213	105	256503	106	256634	107	256825	109	261014	161	261259	174
256214	105	256504	106	256635	107	256826	109	261015	161	261260	174
256215	105	256505	106	256636	107	256827	109	261016	161	261261	174
256216	105	256506	106	256637	107	256900	109	261017	161	261262	174
256217	105	256507	106	256638	107	256901	109	261018	161	261263	174
256218	105	256508	106	256639	107	256902	109	261019	161	261264	174
256219	105	256509	106	256700	108	256903	109	261020	161	261265	174
256220	105	256510	106	256701	108	256904	109	261021	161	261266	174
256221	105	256511	106	256702	108	256905	109	261022	161	261267	174
256222	105	256512	106	256703	108	256906	109	261023	161	261268	174
256223	105	256513	106	256704	108	256907	109	261024	161	261269	174
256224	105	256514	106	256705	108	256908	109	261025	161	261270	174
256225	105	256515	106	256706	108	256909	109	261026	161	261271	174
256226	105	256516	106	256707	108	256910	109	261027	161	261272	174
256227	105	256517	106	256708	108	256911	109	261028	161	261273	174
256301	105	256518	106	256709	108	256912	109	261029	161	261274	174
256302	105	256519	106	256710	108	256913	109	261030	161	261275	174
256303	105	256520	106	256711	108	256914	109	261031	161	261276	174
256304	105	256521	106	256712	108	256915	109	261032	161	261277	174
256305	105	256522	106	256713	108	256916	109	261033	161	261278	174
256306	105	256523	106	256714	108	256917	109	261034	161	261279	174
256307	105	256524	106	256715	108	256918	109	261035	161	261280	174
256308	105	256525	106	256716	108	256919	109	261036	161	261281	174
256309	105	256526	106	256717	108	256920	109	261037	161	261282	174
256310	105	256527	106	256718	108	256921	109	261038	161	261283	174
256311	105	256528	106	256719	108	256922	109	261039	161	261284	174
256312	105	256529	106	256720	108	256923	109	261102	111	261285	174
256313	105	256530	106	256721	108	256924	109	261103	111	261286	174
256314	105	256531	106	256722	108	256925	109	261104	111	261287	174
256315	105	256532	106	256723	108	256926	109	261105	111	261288	174
256316	105	256533	106	256724	108	256927	109	261106	111	261289	174
256317	105	256534	106	256725	108	257000	109	261107	111	261290	174
256318	105	256535	106	256726	108	257001	109	261108	111	261291	174
256319	105	256536	106	256727	108	257002	109	261109	111	261292	174
256320	105	256537	106	256728	108	257003	109	261110	111	261293	174
256321	105	256538	106	256729	108	257004	109	261111	111	261294	174
256322	105	256539	106	256730	108	257005	109	261112	111	261295	174
256323	105	256600	107	256731	108	257006	109	261113	111	261296	174
256324	105	256601	107	256732	108	257007	109	261114	111	261297	174
256325	105	256602	107	256733	108	257008	109	261115	111	261298	174
256326	105	256603	107	256734	108	257009	109	261116	111	261299	174
256327	105	256604	107	256735	108	257010	109	261117	111	261300	114-115
256402	105	256605	107	256736	108	257011	109	261118	111	261301	114-115
256403	105	256606	107	256737	108	257012	109	261119	111	261302	115
256404	105	256607	107	256738	108	257013	109	261120	111	261303	115
256405	105	256608	107	256739	108	257014	109	261121	111	261304	115
256406	105	256609	107	256800	109	257015	109	261122	111	261305	115
256407	105	256610	107	256801	109	257016	109	261123	111	261306	115
256408	105	256611	107	256802	109	257017	109	261124	111	261307	115
256409	105	256612	107	256803	109	257018	109	261125	111	261308	115

INDEX

Code	Page	Code	Page	Code	Page	Code	Page	Code	Page
261309	115	261382	117	KMD.B.03.20.02.B	253	KMD.02.30.07.B	207	KMD.03.45.03.A	202
261310	115	261383	117	KMD.B.03.20.02.BC	253	KMD.02.30.08.B	207	KMD.03.45.03.B	203
261311	115	261384	117	KMD.LM.03.20.02.B	253	KMD.02.45.01.B	207	KMD.03.45.04.A	202
261312	115	261385	117	KMD.LM.03.20.02.BC	253	KMD.02.45.02.B	207	KMD.03.45.04.B	203
261313	115	261386	117	KMD.RM.03.20.02.B	253	KMD.02.45.03.B	207	KMD.03.45.05.A	202
261314	115	261387	117	KMD.RM.03.20.02.BC	253	KMD.02.45.04.B	207	KMD.03.45.05.B	203
261315	115	261388	117	KMD.T.03.20.02.B	253	KMD.02.45.05.B	207	KMD.03.45.06.A	202
261316	115	261389	117	KMD.T.03.20.02.BC	253	KMD.02.45.06.B	207	KMD.03.45.06.B	203
261317	115	261390	116	KMD.01.15.01.C	206	KMD.02.45.07.B	207	KMD.03.45.07.A	202
261318	115	261391	116	KMD.01.15.02.C	206	KMD.02.45.08.B	207	KMD.03.45.07.B	203
261319	115	261392	116	KMD.01.15.03.C	206	KMD.02.60.01.B	207	KMD.03.45.08.A	202
261320	115	261393	116	KMD.01.15.04.C	206	KMD.02.60.02.B	207	KMD.03.45.08.B	203
261321	115	261394	116	KMD.01.15.05.C	206	KMD.02.60.03.B	207	KMD.03.60.01.A	202
261322	115	261395	116	KMD.01.15.06.C	206	KMD.02.60.04.B	207	KMD.03.60.01.B	203
261323	115	261396	116	KMD.01.15.07.C	206	KMD.02.60.05.B	207	KMD.03.60.02.A	202
261324	115	261397	116	KMD.01.15.08.C	206	KMD.02.60.06.B	207	KMD.03.60.02.B	203
261325	115	261400LFB	146	KMD.01.30.01.C	206	KMD.02.60.07.B	207	KMD.03.60.03.A	202
261326	115	261401LFB	146	KMD.01.30.02.C	206	KMD.02.60.08.B	207	KMD.03.60.03.B	203
261327	115	261402LFB	146	KMD.01.30.03.C	206	KMD.02.75.01.B	207	KMD.03.60.04.A	202
261328	115	261403LFB	146	KMD.01.30.04.C	206	KMD.02.75.02.B	207	KMD.03.60.04.B	203
261329	115	261404LFB	146	KMD.01.30.05.C	206	KMD.02.75.03.B	207	KMD.03.60.05.A	202
261330	115	261405LFB	146	KMD.01.30.06.C	206	KMD.02.75.04.B	207	KMD.03.60.05.B	203
261331	115	261406LFB	146	KMD.01.30.07.C	206	KMD.02.75.05.B	207	KMD.03.60.06.A	202
261332	115	261407LFB	146	KMD.01.30.08.C	206	KMD.02.75.06.B	207	KMD.03.60.06.B	203
261333	115	261408LFB	146	KMD.01.45.01.C	206	KMD.02.75.07.B	207	KMD.03.60.07.A	202
261334	115	261409LFB	146	KMD.01.45.02.C	206	KMD.02.75.08.B	207	KMD.03.60.07.B	203
261335	115	261410LFB	146	KMD.01.45.03.C	206	KMD.02.90.01.B	207	KMD.03.60.08.A	202
261336	115	261411LFB	146	KMD.01.45.04.C	206	KMD.02.90.02.B	207	KMD.03.60.08.B	203
261337	115	261412LFB	146	KMD.01.45.05.C	206	KMD.02.90.03.B	207	KMD.03.75.01.A	202
261338	115	261413LFB	146	KMD.01.45.06.C	206	KMD.02.90.04.B	207	KMD.03.75.01.B	203
261339	115	261414LFB	146	KMD.01.45.07.C	206	KMD.02.90.05.B	207	KMD.03.75.02.A	202
261340	114	261415LFB	146	KMD.01.45.08.C	206	KMD.02.90.06.B	207	KMD.03.75.02.B	203
261341	114	261416LFB	146	KMD.01.60.01.C	206	KMD.02.90.07.B	207	KMD.03.75.03.A	202
261342	114	261417LFB	146	KMD.01.60.02.C	206	KMD.02.90.08.B	207	KMD.03.75.03.B	203
261343	114	261418LFB	146	KMD.01.60.03.C	206	KMD.03.15.01.A	202	KMD.03.75.04.A	202
261344	114	261419LFB	146	KMD.01.60.04.C	206	KMD.03.15.01.B	203	KMD.03.75.04.B	203
261345	114	261420LFB	146	KMD.01.60.05.C	206	KMD.03.15.02.A	202	KMD.03.75.05.A	202
261346	114	261421LFB	146	KMD.01.60.06.C	206	KMD.03.15.02.B	203	KMD.03.75.05.B	203
261347	114	261422LFB	146	KMD.01.60.07.C	206	KMD.03.15.03.A	202	KMD.03.75.06.A	202
261350	116-117	261423LFB	146	KMD.01.60.08.C	206	KMD.03.15.03.B	203	KMD.03.75.06.B	203
261351	116-117	261424LFB	146	KMD.01.75.01.C	206	KMD.03.15.04.A	202	KMD.03.75.07.A	202
261352	117	261425LFB	146	KMD.01.75.02.C	206	KMD.03.15.04.B	203	KMD.03.75.07.B	203
261353	117	261426LFB	146	KMD.01.75.03.C	206	KMD.03.15.05.A	202	KMD.03.75.08.A	202
261354	117	261427LFB	146	KMD.01.75.04.C	206	KMD.03.15.05.B	203	KMD.03.75.08.B	203
261355	117	261428LFB	146	KMD.01.75.05.C	206	KMD.03.15.06.A	202	KMD.03.90.01.A	202
261356	117	261429LFB	146	KMD.01.75.06.C	206	KMD.03.15.06.B	203	KMD.03.90.01.B	203
261357	117	831915	175	KMD.01.75.07.C	206	KMD.03.15.07.A	202	KMD.03.90.02.A	202
261358	117			KMD.01.75.08.C	206	KMD.03.15.07.B	203	KMD.03.90.02.B	203
261359	117			KMD.01.90.01.C	206	KMD.03.15.08.A	202	KMD.03.90.03.A	202
261360	117			KMD.01.90.02.C	206	KMD.03.15.08.B	203	KMD.03.90.03.B	203
261361	117			KMD.01.90.03.C	206	KMD.03.30.01.A	202	KMD.03.90.04.A	202
261362	117			KMD.01.90.04.C	206	KMD.03.30.01.B	203	KMD.03.90.04.B	203
261363	117			KMD.01.90.05.C	206	KMD.03.30.02.A	202	KMD.03.90.05.A	202
261364	117			KMD.01.90.06.C	206	KMD.03.30.02.B	203	KMD.03.90.05.B	203
261365	117			KMD.01.90.07.C	206	KMD.03.30.03.A	202	KMD.03.90.06.A	202
261366	117			KMD.01.90.08.C	206	KMD.03.30.03.B	203	KMD.03.90.06.B	203
261367	117			KMD.02.15.01.B	207	KMD.03.30.04.A	202	KMD.03.90.07.A	202
261368	117			KMD.02.15.02.B	207	KMD.03.30.04.B	203	KMD.03.90.07.B	203
261369	117			KMD.02.15.03.B	207	KMD.03.30.05.A	202	KMD.03.90.08.A	202
261370	117			KMD.02.15.04.B	207	KMD.03.30.05.B	203	KMD.03.90.08.B	203
261371	117			KMD.02.15.05.B	207	KMD.03.30.06.A	202	KMD.04.15.01.A	208
261372	117			KMD.02.15.06.B	207	KMD.03.30.06.B	203	KMD.04.15.02.A	208
261373	117			KMD.02.15.07.B	207	KMD.03.30.07.A	202	KMD.04.15.03.A	208
261374	117			KMD.02.15.08.B	207	KMD.03.30.07.B	203	KMD.04.15.04.A	208
261375	117			KMD.02.30.01.B	207	KMD.03.30.08.A	202	KMD.04.15.05.A	208
261376	117			KMD.02.30.02.B	207	KMD.03.30.08.B	203	KMD.04.15.06.A	208
261377	117			KMD.02.30.03.B	207	KMD.03.45.01.A	202	KMD.04.15.07.A	208
261378	117			KMD.02.30.04.B	207	KMD.03.45.01.B	203	KMD.04.15.08.A	208
261379	117			KMD.02.30.05.B	207	KMD.03.45.02.A	202	KMD.04.30.01.A	208
261380	117			KMD.02.30.06.B	207	KMD.03.45.02.B	203	KMD.04.30.02.A	208

INDEX

Code	Page	Code	Page	Code	Page	Code	Page	Code	Page	Code	Page
KMD.24.45.07.A	231	KMD.25.90.05.B	232	KMD.27.45.03.B	234	KMD.28.90.01.B	235	KMD.30.30.07.A	237	KMD.32.15.01.A	220
KMD.24.45.08.A	231	KMD.25.90.06.B	232	KMD.27.45.04.B	234	KMD.28.90.02.B	235	KMD.30.30.08.A	237	KMD.32.30.01.A	220
KMD.24.60.01.A	231	KMD.25.90.07.B	232	KMD.27.45.05.B	234	KMD.28.90.03.B	235	KMD.30.45.01.A	237	KMD.32.45.01.A	220
KMD.24.60.02.A	231	KMD.25.90.08.B	232	KMD.27.45.06.B	234	KMD.28.90.04.B	235	KMD.30.45.02.A	237	KMD.32.60.01.A	220
KMD.24.60.03.A	231	KMD.26.15.01.B	233	KMD.27.45.07.B	234	KMD.28.90.05.B	235	KMD.30.45.03.A	237	KMD.32.75.01.A	220
KMD.24.60.04.A	231	KMD.26.15.02.B	233	KMD.27.45.08.B	234	KMD.28.90.06.B	235	KMD.30.45.04.A	237	KMD.32.90.01.A	220
KMD.24.60.05.A	231	KMD.26.15.03.B	233	KMD.27.60.01.B	234	KMD.28.90.07.B	235	KMD.30.45.05.A	237	KMD.33.15.01.A	220
KMD.24.60.06.A	231	KMD.26.15.04.B	233	KMD.27.60.02.B	234	KMD.28.90.08.B	235	KMD.30.45.06.A	237	KMD.33.30.01.A	220
KMD.24.60.07.A	231	KMD.26.15.05.B	233	KMD.27.60.03.B	234	KMD.29.15.01.B	236	KMD.30.45.07.A	237	KMD.33.45.01.A	220
KMD.24.60.08.A	231	KMD.26.15.06.B	233	KMD.27.60.04.B	234	KMD.29.15.02.B	236	KMD.30.45.08.A	237	KMD.33.60.01.A	220
KMD.24.75.01.A	231	KMD.26.15.07.B	233	KMD.27.60.05.B	234	KMD.29.15.03.B	236	KMD.30.60.01.A	237	KMD.33.75.01.A	220
KMD.24.75.02.A	231	KMD.26.15.08.B	233	KMD.27.60.06.B	234	KMD.29.15.04.B	236	KMD.30.60.02.A	237	KMD.33.90.01.A	220
KMD.24.75.03.A	231	KMD.26.30.01.B	233	KMD.27.60.07.B	234	KMD.29.15.05.B	236	KMD.30.60.03.A	237	KMD.37.15.01.A	220
KMD.24.75.04.A	231	KMD.26.30.02.B	233	KMD.27.60.08.B	234	KMD.29.15.06.B	236	KMD.30.60.04.A	237	KMD.37.30.01.A	220
KMD.24.75.05.A	231	KMD.26.30.03.B	233	KMD.27.75.01.B	234	KMD.29.15.07.B	236	KMD.30.60.05.A	237	KMD.37.45.01.A	220
KMD.24.75.06.A	231	KMD.26.30.04.B	233	KMD.27.75.02.B	234	KMD.29.15.08.B	236	KMD.30.60.06.A	237	KMD.37.60.01.A	220
KMD.24.75.07.A	231	KMD.26.30.05.B	233	KMD.27.75.03.B	234	KMD.29.30.01.B	236	KMD.30.60.07.A	237	KMD.37.75.01.A	220
KMD.24.75.08.A	231	KMD.26.30.06.B	233	KMD.27.75.04.B	234	KMD.29.30.02.B	236	KMD.30.60.08.A	237	KMD.37.90.01.A	220
KMD.24.90.01.A	231	KMD.26.30.07.B	233	KMD.27.75.05.B	234	KMD.29.30.03.B	236	KMD.30.75.01.A	237	KMD.38.15.01.A	a218
KMD.24.90.02.A	231	KMD.26.30.08.B	233	KMD.27.75.06.B	234	KMD.29.30.04.B	236	KMD.30.75.02.A	237	KMD.38.15.02.A	218
KMD.24.90.03.A	231	KMD.26.45.01.B	233	KMD.27.75.07.B	234	KMD.29.30.05.B	236	KMD.30.75.03.A	237	KMD.38.15.03.A	218
KMD.24.90.04.A	231	KMD.26.45.02.B	233	KMD.27.75.08.B	234	KMD.29.30.06.B	236	KMD.30.75.04.A	237	KMD.38.30.01.A	218
KMD.24.90.05.A	231	KMD.26.45.03.B	233	KMD.27.90.01.B	234	KMD.29.30.07.B	236	KMD.30.75.05.A	237	KMD.38.30.02.A	218
KMD.24.90.06.A	231	KMD.26.45.04.B	233	KMD.27.90.02.B	234	KMD.29.30.08.B	236	KMD.30.75.06.A	237	KMD.38.30.03.A	218
KMD.24.90.07.A	231	KMD.26.45.05.B	233	KMD.27.90.03.B	234	KMD.29.45.01.B	236	KMD.30.75.07.A	237	KMD.38.45.01.A	218
KMD.24.90.08.A	231	KMD.26.45.06.B	233	KMD.27.90.04.B	234	KMD.29.45.02.B	236	KMD.30.75.08.A	237	KMD.38.45.02.A	218
KMD.25.15.01.B	232	KMD.26.45.07.B	233	KMD.27.90.05.B	234	KMD.29.45.03.B	236	KMD.30.90.01.A	237	KMD.38.45.03.A	218
KMD.25.15.02.B	232	KMD.26.45.08.B	233	KMD.27.90.06.B	234	KMD.29.45.04.B	236	KMD.30.90.02.A	237	KMD.38.60.01.A	218
KMD.25.15.03.B	232	KMD.26.60.01.B	233	KMD.27.90.07.B	234	KMD.29.45.05.B	236	KMD.30.90.03.A	237	KMD.38.60.02.A	218
KMD.25.15.04.B	232	KMD.26.60.02.B	233	KMD.27.90.08.B	234	KMD.29.45.06.B	236	KMD.30.90.04.A	237	KMD.38.60.03.A	218
KMD.25.15.05.B	232	KMD.26.60.03.B	233	KMD.28.15.01.B	235	KMD.29.45.07.B	236	KMD.30.90.05.A	237	KMD.38.75.01.A	218
KMD.25.15.06.B	232	KMD.26.60.04.B	233	KMD.28.15.02.B	235	KMD.29.45.08.B	236	KMD.30.90.06.A	237	KMD.38.75.02.A	218
KMD.25.15.07.B	232	KMD.26.60.05.B	233	KMD.28.15.03.B	235	KMD.29.60.01.B	236	KMD.30.90.07.A	237	KMD.38.75.03.A	218
KMD.25.15.08.B	232	KMD.26.60.06.B	233	KMD.28.15.04.B	235	KMD.29.60.02.B	236	KMD.30.90.08.A	237	KMD.38.90.01.A	218
KMD.25.30.01.B	232	KMD.26.60.07.B	233	KMD.28.15.05.B	235	KMD.29.60.03.B	236	KMD.31.15.01.C	219	KMD.38.90.02.A	218
KMD.25.30.02.B	232	KMD.26.60.08.B	233	KMD.28.15.06.B	235	KMD.29.60.04.B	236	KMD.31.15.02.C	219	KMD.38.90.03.A	218
KMD.25.30.03.B	232	KMD.26.75.01.B	233	KMD.28.15.07.B	235	KMD.29.60.05.B	236	KMD.31.15.03.C	219	KMD.39.15.01.B	224
KMD.25.30.04.B	232	KMD.26.75.02.B	233	KMD.28.15.08.B	235	KMD.29.60.06.B	236	KMD.31.15.04.C	219	KMD.39.15.02.B	224
KMD.25.30.05.B	232	KMD.26.75.03.B	233	KMD.28.30.01.B	235	KMD.29.60.07.B	236	KMD.31.15.05.C	219	KMD.39.15.03.B	224
KMD.25.30.06.B	232	KMD.26.75.04.B	233	KMD.28.30.02.B	235	KMD.29.60.08.B	236	KMD.31.15.06.C	219	KMD.39.30.01.B	224
KMD.25.30.07.B	232	KMD.26.75.05.B	233	KMD.28.30.03.B	235	KMD.29.75.01.B	236	KMD.31.30.01.C	219	KMD.39.30.02.B	224
KMD.25.30.08.B	232	KMD.26.75.06.B	233	KMD.28.30.04.B	235	KMD.29.75.02.B	236	KMD.31.30.02.C	219	KMD.39.30.03.B	224
KMD.25.45.01.B	232	KMD.26.75.07.B	233	KMD.28.30.05.B	235	KMD.29.75.03.B	236	KMD.31.30.03.C	219	KMD.39.45.01.B	224
KMD.25.45.02.B	232	KMD.26.75.08.B	233	KMD.28.30.06.B	235	KMD.29.75.04.B	236	KMD.31.30.04.C	219	KMD.39.45.02.B	224
KMD.25.45.03.B	232	KMD.26.90.01.B	233	KMD.28.30.07.B	235	KMD.29.75.05.B	236	KMD.31.30.05.C	219	KMD.39.45.03.B	224
KMD.25.45.04.B	232	KMD.26.90.02.B	233	KMD.28.30.08.B	235	KMD.29.75.06.B	236	KMD.31.30.06.C	219	KMD.39.60.01.B	224
KMD.25.45.05.B	232	KMD.26.90.03.B	233	KMD.28.45.01.B	235	KMD.29.75.07.B	236	KMD.31.45.01.C	219	KMD.39.60.02.B	224
KMD.25.45.06.B	232	KMD.26.90.04.B	233	KMD.28.45.02.B	235	KMD.29.75.08.B	236	KMD.31.45.02.C	219	KMD.39.60.03.B	224
KMD.25.45.07.B	232	KMD.26.90.05.B	233	KMD.28.45.03.B	235	KMD.29.90.01.B	236	KMD.31.45.03.C	219	KMD.39.75.01.B	224
KMD.25.45.08.B	232	KMD.26.90.06.B	233	KMD.28.45.04.B	235	KMD.29.90.02.B	236	KMD.31.45.04.C	219	KMD.39.75.02.B	224
KMD.25.60.01.B	232	KMD.26.90.07.B	233	KMD.28.45.05.B	235	KMD.29.90.03.B	236	KMD.31.45.05.C	219	KMD.39.75.03.B	224
KMD.25.60.02.B	232	KMD.26.90.08.B	233	KMD.28.45.06.B	235	KMD.29.90.04.B	236	KMD.31.45.06.C	219	KMD.39.90.01.B	224
KMD.25.60.03.B	232	KMD.27.15.01.B	234	KMD.28.45.07.B	235	KMD.29.90.05.B	236	KMD.31.60.01.C	219	KMD.39.90.02.B	224
KMD.25.60.04.B	232	KMD.27.15.02.B	234	KMD.28.45.08.B	235	KMD.29.90.06.B	236	KMD.31.60.02.C	219	KMD.39.90.03.B	224
KMD.25.60.05.B	232	KMD.27.15.03.B	234	KMD.28.60.01.B	235	KMD.29.90.07.B	236	KMD.31.60.03.C	219	KMD.40.15.01.B	221
KMD.25.60.06.B	232	KMD.27.15.04.B	234	KMD.28.60.02.B	235	KMD.29.90.08.B	236	KMD.31.60.04.C	219	KMD.40.15.02.B	221
KMD.25.60.07.B	232	KMD.27.15.05.B	234	KMD.28.60.03.B	235	KMD.30.15.01.A	237	KMD.31.60.05.C	219	KMD.40.15.03.B	221
KMD.25.60.08.B	232	KMD.27.15.06.B	234	KMD.28.60.04.B	235	KMD.30.15.02.A	237	KMD.31.60.06.C	219	KMD.40.30.01.B	221
KMD.25.75.01.B	232	KMD.27.15.07.B	234	KMD.28.60.05.B	235	KMD.30.15.03.A	237	KMD.31.75.01.C	219	KMD.40.30.02.B	221
KMD.25.75.02.B	232	KMD.27.15.08.B	234	KMD.28.60.06.B	235	KMD.30.15.04.A	237	KMD.31.75.02.C	219	KMD.40.30.03.B	221
KMD.25.75.03.B	232	KMD.27.30.01.B	234	KMD.28.60.07.B	235	KMD.30.15.05.A	237	KMD.31.75.03.C	219	KMD.40.45.01.B	221
KMD.25.75.04.B	232	KMD.27.30.02.B	234	KMD.28.60.08.B	235	KMD.30.15.06.A	237	KMD.31.75.04.C	219	KMD.40.45.02.B	221
KMD.25.75.05.B	232	KMD.27.30.03.B	234	KMD.28.75.01.B	235	KMD.30.15.07.A	237	KMD.31.75.05.C	219	KMD.40.45.03.B	221
KMD.25.75.06.B	232	KMD.27.30.04.B	234	KMD.28.75.02.B	235	KMD.30.15.08.A	237	KMD.31.75.06.C	219	KMD.40.60.01.B	221
KMD.25.75.07.B	232	KMD.27.30.05.B	234	KMD.28.75.03.B	235	KMD.30.30.01.A	237	KMD.31.90.01.C	219	KMD.40.60.02.B	221
KMD.25.75.08.B	232	KMD.27.30.06.B	234	KMD.28.75.04.B	235	KMD.30.30.02.A	237	KMD.31.90.02.C	219	KMD.40.60.03.B	221
KMD.25.90.01.B	232	KMD.27.30.07.B	234	KMD.28.75.05.B	235	KMD.30.30.03.A	237	KMD.31.90.03.C	219	KMD.40.75.01.B	221
KMD.25.90.02.B	232	KMD.27.30.08.B	234	KMD.28.75.06.B	235	KMD.30.30.04.A	237	KMD.31.90.04.C	219	KMD.40.75.02.B	221
KMD.25.90.03.B	232	KMD.27.45.01.B	234	KMD.28.75.07.B	235	KMD.30.30.05.A	237	KMD.31.90.05.C	219	KMD.40.75.03.B	221
KMD.25.90.04.B	232	KMD.27.45.02.B	234	KMD.28.75.08.B	235	KMD.30.30.06.A	237	KMD.31.90.06.C	219	KMD.40.90.01.B	221

Code	Page	Code	Page	Code	Page	Code	Page	Code	Page	Code	Page
KMD.40.90.02.B	221	KMD.54.45.01.B	243	KMD.61.60.07.B	204	KMD.64.30.01.B	250	KMD.68.60.03.A	227	KMD.84.15.07.A	245
KMD.40.90.03.B	221	KMD.54.45.02.B	243	KMD.61.60.08.B	204	KMD.64.30.02.B	250	KMD.68.60.04.A	227	KMD.84.15.08.A	245
KMD.41.15.01.A	223	KMD.54.45.03.B	243	KMD.61.75.01.B	204	KMD.64.30.03.B	250	KMD.68.60.05.A	227	KMD.84.30.01.A	245
KMD.41.15.02.A	223	KMD.54.45.04.B	243	KMD.61.75.02.B	204	KMD.64.30.04.B	250	KMD.68.60.06.A	227	KMD.84.30.02.A	245
KMD.41.15.03.A	223	KMD.54.60.01.B	243	KMD.61.75.03.B	204	KMD.64.45.01.B	250	KMD.68.60.07.A	227	KMD.84.30.03.A	245
KMD.41.30.01.A	223	KMD.54.60.02.B	243	KMD.61.75.04.B	204	KMD.64.45.02.B	250	KMD.68.60.08.A	227	KMD.84.30.04.A	245
KMD.41.30.02.A	223	KMD.54.60.03.B	243	KMD.61.75.05.B	204	KMD.64.45.03.B	250	KMD.68.75.01.A	227	KMD.84.30.05.A	245
KMD.41.30.03.A	223	KMD.54.60.04.B	243	KMD.61.75.06.B	204	KMD.64.45.04.B	250	KMD.68.75.02.A	227	KMD.84.30.06.A	245
KMD.41.45.01.A	223	KMD.54.75.01.B	243	KMD.61.75.07.B	204	KMD.64.60.01.B	250	KMD.68.75.03.A	227	KMD.84.30.07.A	245
KMD.41.45.02.A	223	KMD.54.75.02.B	243	KMD.61.75.08.B	204	KMD.64.60.02.B	250	KMD.68.75.04.A	227	KMD.84.30.08.A	245
KMD.41.45.03.A	223	KMD.54.75.03.B	243	KMD.61.90.01.B	204	KMD.64.60.03.B	250	KMD.68.75.05.A	227	KMD.84.45.01.A	245
KMD.41.60.01.A	223	KMD.54.75.04.B	243	KMD.61.90.02.B	204	KMD.64.60.04.B	250	KMD.68.75.06.A	227	KMD.84.45.02.A	245
KMD.41.60.02.A	223	KMD.54.90.01.B	243	KMD.61.90.03.B	204	KMD.64.75.01.B	250	KMD.68.75.07.A	227	KMD.84.45.03.A	245
KMD.41.60.03.A	223	KMD.54.90.02.B	243	KMD.61.90.04.B	204	KMD.64.75.02.B	250	KMD.68.75.08.A	227	KMD.84.45.04.A	245
KMD.41.75.01.A	223	KMD.54.90.03.B	243	KMD.61.90.05.B	204	KMD.64.75.03.B	250	KMD.68.90.01.A	227	KMD.84.45.05.A	245
KMD.41.75.02.A	223	KMD.54.90.04.B	243	KMD.61.90.06.B	204	KMD.64.75.04.B	250	KMD.68.90.02.A	227	KMD.84.45.06.A	245
KMD.41.75.03.A	223	KMD.56.15.01.B	244	KMD.61.90.07.B	204	KMD.64.90.01.B	250	KMD.68.90.03.A	227	KMD.84.45.07.A	245
KMD.41.90.01.A	223	KMD.56.15.02.B	244	KMD.61.90.08.B	204	KMD.64.90.02.B	250	KMD.68.90.04.A	227	KMD.84.45.08.A	245
KMD.41.90.02.A	223	KMD.56.15.03.B	244	KMD.62.15.01.B	213	KMD.64.90.03.B	250	KMD.68.90.05.A	227	KMD.84.60.01.A	245
KMD.41.90.03.A	223	KMD.56.15.04.B	244	KMD.62.15.02.B	213	KMD.64.90.04.B	250	KMD.68.90.06.A	227	KMD.84.60.02.A	245
KMD.42.15.01.B	222	KMD.56.30.01.B	244	KMD.62.15.03.B	213	KMD.66.15.01.B	251	KMD.68.90.07.A	227	KMD.84.60.03.A	245
KMD.42.15.02.B	222	KMD.56.30.02.B	244	KMD.62.15.04.B	213	KMD.66.15.02.B	251	KMD.68.90.08.A	227	KMD.84.60.04.A	245
KMD.42.15.03.B	222	KMD.56.30.03.B	244	KMD.62.15.05.B	213	KMD.66.15.03.B	251	KMD.71.15.01.AC	228	KMD.84.60.05.A	245
KMD.42.30.01.B	222	KMD.56.30.04.B	244	KMD.62.15.06.B	213	KMD.66.15.04.B	251	KMD.71.15.02.AC	228	KMD.84.60.06.A	245
KMD.42.30.02.B	222	KMD.56.45.01.B	244	KMD.62.15.07.B	213	KMD.66.30.01.B	251	KMD.71.15.03.AC	228	KMD.84.60.07.A	245
KMD.42.30.03.B	222	KMD.56.45.02.B	244	KMD.62.15.08.B	213	KMD.66.30.02.B	251	KMD.71.30.01.AC	228	KMD.84.60.08.A	245
KMD.42.45.01.B	222	KMD.56.45.03.B	244	KMD.62.30.01.B	213	KMD.66.30.03.B	251	KMD.71.30.02.AC	228	KMD.84.75.01.A	245
KMD.42.45.02.B	222	KMD.56.45.04.B	244	KMD.62.30.02.B	213	KMD.66.30.04.B	251	KMD.71.30.03.AC	228	KMD.84.75.02.A	245
KMD.42.45.03.B	222	KMD.56.60.01.B	244	KMD.62.30.03.B	213	KMD.66.45.01.B	251	KMD.71.45.01.AC	228	KMD.84.75.03.A	245
KMD.42.60.01.B	222	KMD.56.60.02.B	244	KMD.62.30.04.B	213	KMD.66.45.02.B	251	KMD.71.45.02.AC	228	KMD.84.75.04.A	245
KMD.42.60.02.B	222	KMD.56.60.03.B	244	KMD.62.30.05.B	213	KMD.66.45.03.B	251	KMD.71.45.03.AC	228	KMD.84.75.05.A	245
KMD.42.60.03.B	222	KMD.56.60.04.B	244	KMD.62.30.06.B	213	KMD.66.45.04.B	251	KMD.71.60.01.AC	228	KMD.84.75.06.A	245
KMD.42.75.01.B	222	KMD.56.75.01.B	244	KMD.62.30.07.B	213	KMD.66.60.01.B	251	KMD.71.60.02.AC	228	KMD.84.75.07.A	245
KMD.42.75.02.B	222	KMD.56.75.02.B	244	KMD.62.30.08.B	213	KMD.66.60.02.B	251	KMD.71.60.03.AC	228	KMD.84.75.08.A	245
KMD.42.75.03.B	222	KMD.56.75.03.B	244	KMD.62.45.01.B	213	KMD.66.60.03.B	251	KMD.71.75.01.AC	228	KMD.84.90.01.A	245
KMD.42.90.01.B	222	KMD.56.75.04.B	244	KMD.62.45.02.B	213	KMD.66.60.04.B	251	KMD.71.75.02.AC	228	KMD.84.90.02.A	245
KMD.42.90.02.B	222	KMD.56.90.01.B	244	KMD.62.45.03.B	213	KMD.66.75.01.B	251	KMD.71.75.03.AC	228	KMD.84.90.03.A	245
KMD.42.90.03.B	222	KMD.56.90.02.B	244	KMD.62.45.04.B	213	KMD.66.75.02.B	251	KMD.71.90.01.AC	228	KMD.84.90.04.A	245
KMD.48.15.01.A	225	KMD.56.90.03.B	244	KMD.62.45.05.B	213	KMD.66.75.03.B	251	KMD.71.90.02.AC	228	KMD.84.90.05.A	245
KMD.48.30.01.A	225	KMD.56.90.04.B	244	KMD.62.45.06.B	213	KMD.66.75.04.B	251	KMD.71.90.03.AC	228	KMD.84.90.06.A	245
KMD.48.45.01.A	225	KMD.61.15.01.B	204	KMD.62.45.07.B	213	KMD.66.90.01.B	251	KMD.78.15.01.AC	229	KMD.84.90.07.A	245
KMD.48.60.01.A	225	KMD.61.15.02.B	204	KMD.62.45.08.B	213	KMD.66.90.02.B	251	KMD.78.30.01.AC	229	KMD.84.90.08.A	245
KMD.48.75.01.A	225	KMD.61.15.03.B	204	KMD.62.60.01.B	213	KMD.66.90.03.B	251	KMD.78.45.01.AC	229	KMD.85.15.01.B	246
KMD.48.90.01.A	225	KMD.61.15.04.B	204	KMD.62.60.02.B	213	KMD.66.90.04.B	251	KMD.78.60.01.AC	229	KMD.85.15.02.B	246
KMD.49.15.01.A	225	KMD.61.15.05.B	204	KMD.62.60.03.B	213	KMD.68.15.01.A	227	KMD.78.75.01.AC	229	KMD.85.15.03.B	246
KMD.49.30.01.A	225	KMD.61.15.06.B	204	KMD.62.60.04.B	213	KMD.68.15.02.A	227	KMD.78.90.01.AC	229	KMD.85.15.04.B	246
KMD.49.45.01.A	225	KMD.61.15.07.B	204	KMD.62.60.05.B	213	KMD.68.15.03.A	227	KMD.79.15.01.AC	229	KMD.85.15.05.B	246
KMD.49.60.01.A	225	KMD.61.15.08.B	204	KMD.62.60.06.B	213	KMD.68.15.04.A	227	KMD.79.30.01.AC	229	KMD.85.15.06.B	246
KMD.49.75.01.A	225	KMD.61.30.01.B	204	KMD.62.60.07.B	213	KMD.68.15.05.A	227	KMD.79.45.01.AC	229	KMD.85.15.07.B	246
KMD.49.90.01.A	225	KMD.61.30.02.B	204	KMD.62.60.08.B	213	KMD.68.15.06.A	227	KMD.79.60.01.AC	229	KMD.85.15.08.B	246
KMD.52.15.01.A	226	KMD.61.30.03.B	204	KMD.62.75.01.B	213	KMD.68.15.07.A	227	KMD.79.75.01.AC	229	KMD.85.30.01.B	246
KMD.52.30.01.A	226	KMD.61.30.04.B	204	KMD.62.75.02.B	213	KMD.68.15.08.A	227	KMD.79.90.01.AC	229	KMD.85.30.02.B	246
KMD.52.45.01.A	226	KMD.61.30.05.B	204	KMD.62.75.03.B	213	KMD.68.30.01.A	227	KMD.82.15.01.AC	230	KMD.85.30.03.B	246
KMD.52.60.01.A	226	KMD.61.30.06.B	204	KMD.62.75.04.B	213	KMD.68.30.02.A	227	KMD.82.30.01.AC	230	KMD.85.30.04.B	246
KMD.52.75.01.A	226	KMD.61.30.07.B	204	KMD.62.75.05.B	213	KMD.68.30.03.A	227	KMD.82.45.01.AC	230	KMD.85.30.05.B	246
KMD.52.90.01.A	226	KMD.61.30.08.B	204	KMD.62.75.06.B	213	KMD.68.30.04.A	227	KMD.82.60.01.AC	230	KMD.85.30.06.B	246
KMD.53.15.01.A	226	KMD.61.45.01.B	204	KMD.62.75.07.B	213	KMD.68.30.05.A	227	KMD.82.75.01.AC	230	KMD.85.30.07.B	246
KMD.53.30.01.A	226	KMD.61.45.02.B	204	KMD.62.75.08.B	213	KMD.68.30.06.A	227	KMD.82.90.01.AC	230	KMD.85.30.08.B	246
KMD.53.45.01.A	226	KMD.61.45.03.B	204	KMD.62.90.01.B	213	KMD.68.30.07.A	227	KMD.83.15.01.AC	230	KMD.85.45.01.B	246
KMD.53.60.01.A	226	KMD.61.45.04.B	204	KMD.62.90.02.B	213	KMD.68.30.08.A	227	KMD.83.30.01.AC	230	KMD.85.45.02.B	246
KMD.53.75.01.A	226	KMD.61.45.05.B	204	KMD.62.90.03.B	213	KMD.68.45.01.A	227	KMD.83.45.01.AC	230	KMD.85.45.03.B	246
KMD.53.90.01.A	226	KMD.61.45.06.B	204	KMD.62.90.04.B	213	KMD.68.45.02.A	227	KMD.83.60.01.AC	230	KMD.85.45.04.B	246
KMD.54.15.01.B	243	KMD.61.45.07.B	204	KMD.62.90.05.B	213	KMD.68.45.03.A	227	KMD.83.75.01.AC	230	KMD.85.45.05.B	246
KMD.54.15.02.B	243	KMD.61.45.08.B	204	KMD.62.90.06.B	213	KMD.68.45.04.A	227	KMD.83.90.01.AC	230	KMD.85.45.06.B	246
KMD.54.15.03.B	243	KMD.61.60.01.B	204	KMD.62.90.07.B	213	KMD.68.45.05.A	227	KMD.84.15.01.A	245	KMD.85.45.07.B	246
KMD.54.15.04.B	243	KMD.61.60.02.B	204	KMD.62.90.08.B	213	KMD.68.45.06.A	227	KMD.84.15.02.A	245	KMD.85.45.08.B	246
KMD.54.30.01.B	243	KMD.61.60.03.B	204	KMD.64.15.01.B	250	KMD.68.45.07.A	227	KMD.84.15.03.A	245	KMD.85.60.01.B	246
KMD.54.30.02.B	243	KMD.61.60.04.B	204	KMD.64.15.02.B	250	KMD.68.45.08.A	227	KMD.84.15.04.A	245	KMD.85.60.02.B	246
KMD.54.30.03.B	243	KMD.61.60.05.B	204	KMD.64.15.03.B	250	KMD.68.60.01.A	227	KMD.84.15.05.A	245	KMD.85.60.03.B	246
KMD.54.30.04.B	243	KMD.61.60.06.B	204	KMD.64.15.04.B	250	KMD.68.60.02.A	227	KMD.84.15.06.A	245	KMD.85.60.04.B	246

Catalogues available on request

System Plast

Our complete range of components will cover
all your productive needs

Conveyor
Chains / Belts



Conveyor
Components



Bearing
Supports



Leveling
Pads



Interactive
CD ROM



Engineering
Manual



System Plast worldwide!

Local Commitment, Global Presence

System Plast can reach you everywhere with fast shipments of
standard or customized products.
Find our agent or representative closest to you.



Emerson Industrial Automation System Plast S.r.l.



Via Guareschi, 2
24060 Telgate (Bergamo) - ITALY

Customer Service +39 035 83 51 301
Fax +39 035 83 51 406
E-mail info@systemplast.com

Full details regarding your nearest Sales contact and all information about other
high quality System Plast products is available at www.systemplast.com



System Plast - USA

Tel. 866 765 8744 - Fax 866 447 6587
CustomerService.PTSolutions@Emerson.com



System Plast - GERMANY

Tel. (03529) 56 15 0 - Fax (03529) 51 13 67
info@fspchains.com



System Plast - GERMANY

Sales Office - Tel. (06204) 9673 0 - Fax (06204) 9673 29
info-de@systemplast.com



System Plast - FRANCE

Tel. (01) 64 66 05 48 - Fax (01) 64 66 05 82
info-fr@systemplast.com



System Plast International - THE NETHERLANDS

Tel. (0186) 63 61 21 - Fax (0186) 63 61 25
info-nl@systemplast.com



System Plast - UK

Tel. (01926) 614 314 - Fax (01926) 614 914
info-uk@systemplast.com



System Plast - MEXICO

Tel. (033) 3284 5629
servicioclientes@emerson.com



System Plast - BRAZIL

Tel. (011) 3618 6699 - Fax (011) 3618 6633
info-br@systemplast.com



System Plast - SINGAPORE

Tel. (65) 6891 7600 - Fax (65) 6873 7882
systemplast.sg@emerson.com



System Plast - CHINA

Tel. (86) 596 2109921 - Fax (86) 596 2136004
sales.zz@emerson.com

MCC12005E • Form 22503E

APPLICATION CONSIDERATIONS

The proper selection and application of power transmission products and components, including the related area of product safety, is the responsibility of the customer. Operating and performance requirements and potential associated issues will vary appreciably depending upon the use and application of such products and components. The scope of the technical and application information included in this publication is necessarily limited. Unusual operating environments and conditions, lubrication requirements, loading supports, and other factors can materially affect the application and operating results of the products and components and the customer should carefully review its requirements. Any technical advice or review furnished by Emerson Power Transmission Corporation and its divisions with respect to the use of products and components is given in good faith and without charge, and Emerson assumes no obligation or liability for the advice given, or results obtained, all such advice and review being given and accepted at customer's risk.

For a copy of our Standard Terms and Conditions of Sale, Disclaimers of Warranty, Limitation of Liability and Remedy, please contact Emerson Power Transmission Customer Service at 1-800-626-2120. These terms and conditions of sale, disclaimers and limitations of liability apply to any person who may buy, acquire or use an Emerson Power Transmission Corporation product referred to herein, including any person who buys from a licensed distributor of these branded products.

Emerson Power Transmission does not warrant the accuracy of the information contained in this document. All interchanges should be compared with actual current specifications and/or manufacturing drawings. For a copy of our standard terms and conditions, contact Emerson Power Transmission at 1-800-626-2120.

Emerson, Emerson. Consider It Solved., Emerson Industrial Automation and System Plast are trademarks of Emerson Electric Co. or one of its affiliated companies.
© 2012 Emerson Power Transmission Corp., All Rights Reserved.

MCC12005E • Form 22503E • Printed in Italy



EMERSON
Industrial Automation